

US00D492983S1

(12) **United States Design Patent**  
**Rachiele**

(10) **Patent No.:** **US D492,983 S**  
(45) **Date of Patent:** **\*\* Jul. 13, 2004**

(54) **KITCHEN SINK**

(76) **Inventor:** **Dino F. Rachiele**, 2611 Concourse Rd.,  
Apopka, FL (US) 32703

(\*\*) **Term:** **14 Years**

(21) **Appl. No.:** **29/194,735**

(22) **Filed:** **Dec. 1, 2003**

**Related U.S. Application Data**

(62) Division of application No. 29/172,634, filed on Dec. 16,  
2002, now Pat. No. Des. 484,956.

(51) **LOC (7) Cl.** ..... **23-02**

(52) **U.S. Cl.** ..... **D23/293.1**

(58) **Field of Search** ..... D23/270-271,  
D23/284-286, 291, 293.1, 303, 308; 4/662-665,  
619, 630, 635, 650, 660, 661

(56) **References Cited**

**U.S. PATENT DOCUMENTS**

D232,322 S \* 8/1974 Lee ..... D23/286

D353,652 S \* 12/1994 Dannenberg ..... D23/293.1  
D358,457 S \* 5/1995 Dannenberg ..... D23/293.1  
D394,487 S \* 5/1998 Wilson ..... D23/284  
D484,956 S \* 1/2004 Rachiele ..... D23/293.1

\* cited by examiner

*Primary Examiner*—Robert A. Delehanty

(74) *Attorney, Agent, or Firm*—William M. Hobby, III

(57) **CLAIM**

The ornamental design for a kitchen sink, as shown and  
described.

**DESCRIPTION**

FIG. 1 is a front left side perspective view of my new kitchen  
sink;

FIG. 2 is a rear elevation;

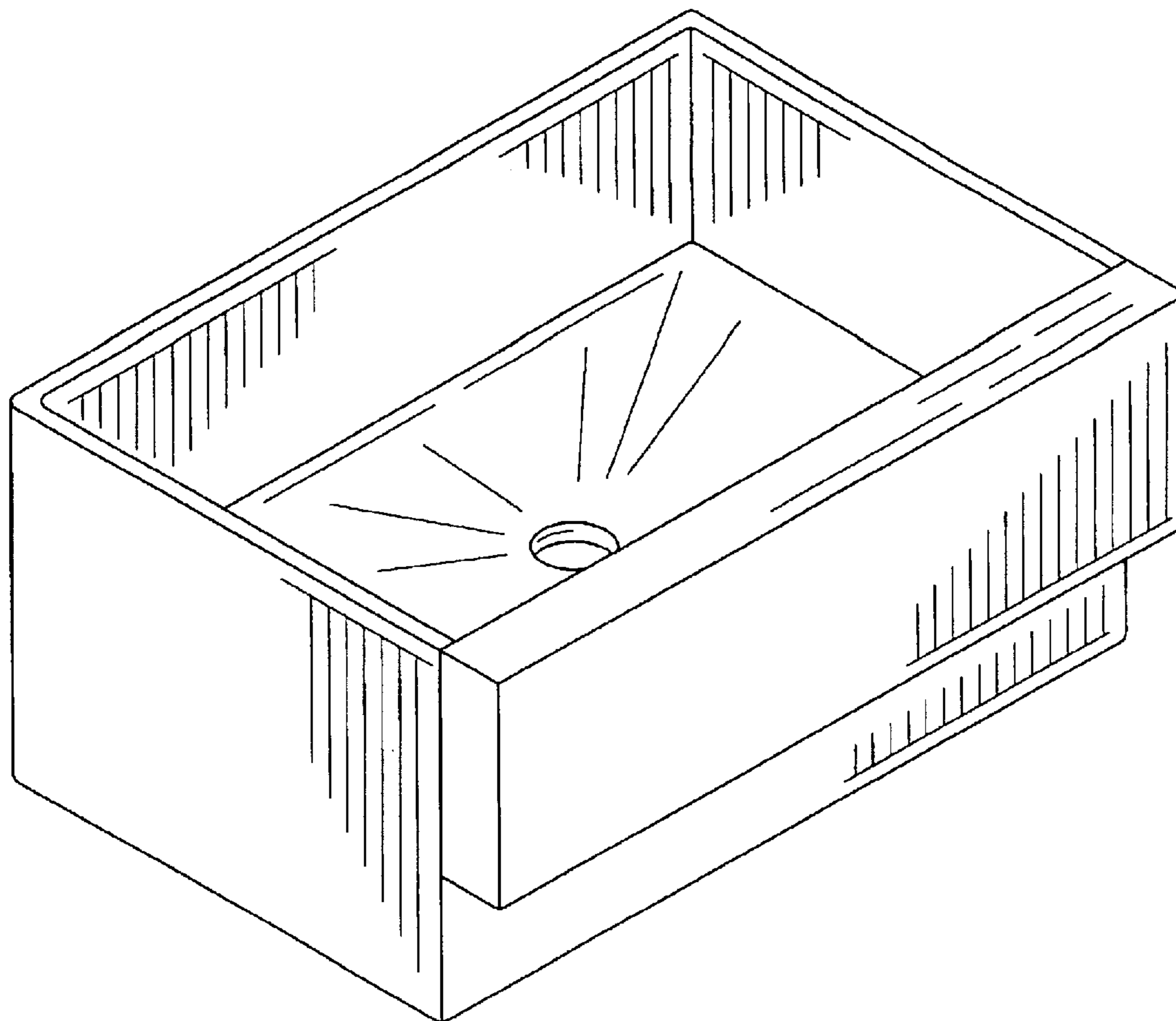
FIG. 3 is a front elevation;

FIG. 4 is a right side elevation;

FIG. 5 is a top plan view; and,

FIG. 6 is a bottom plan view.

**1 Claim, 2 Drawing Sheets**



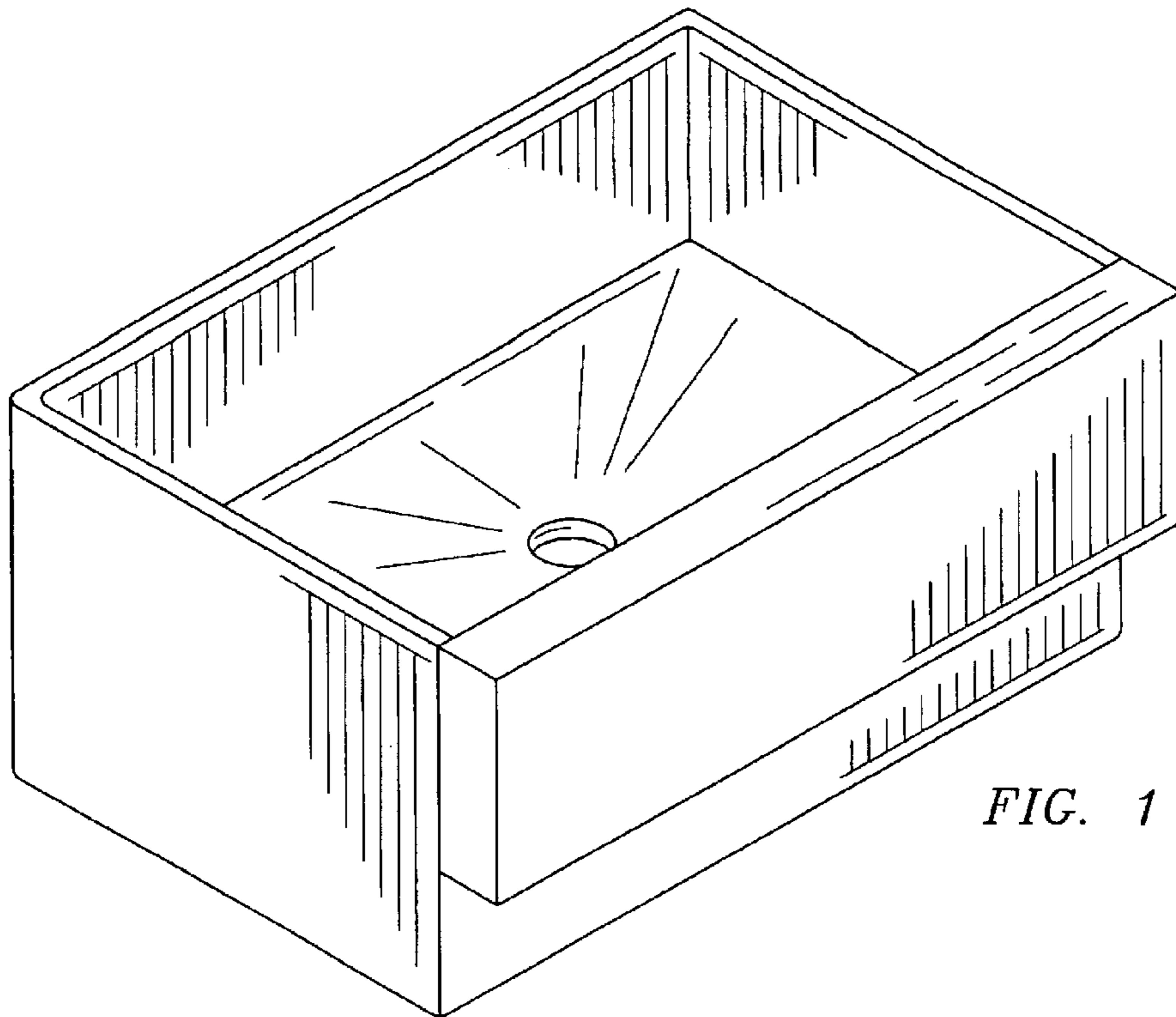


FIG. 1

FIG. 2

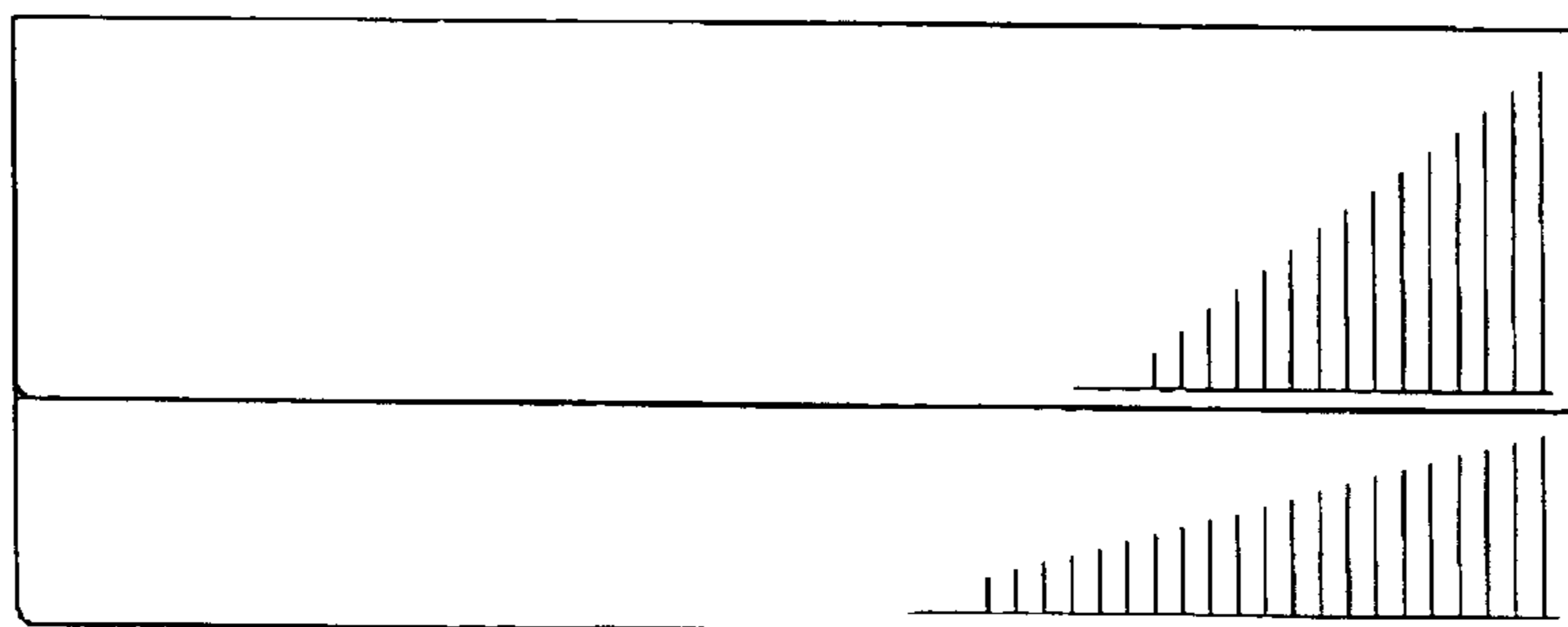
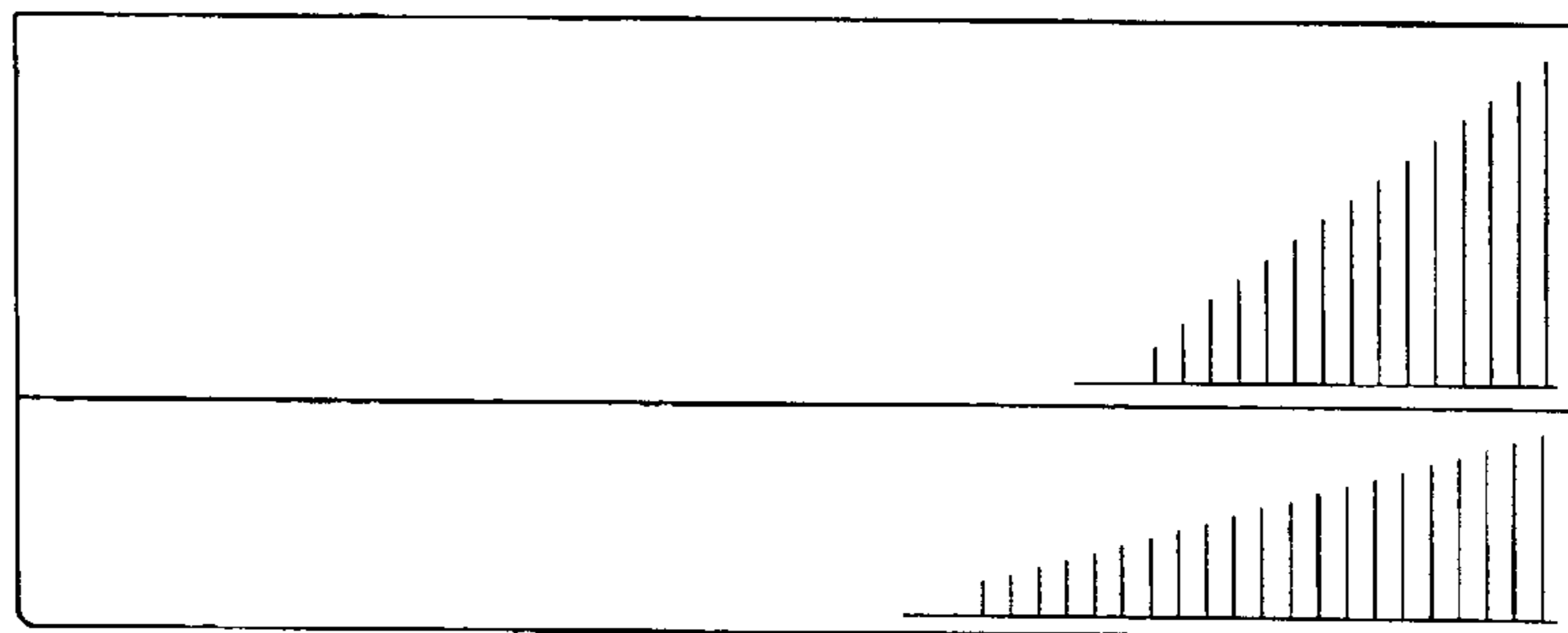


FIG. 3

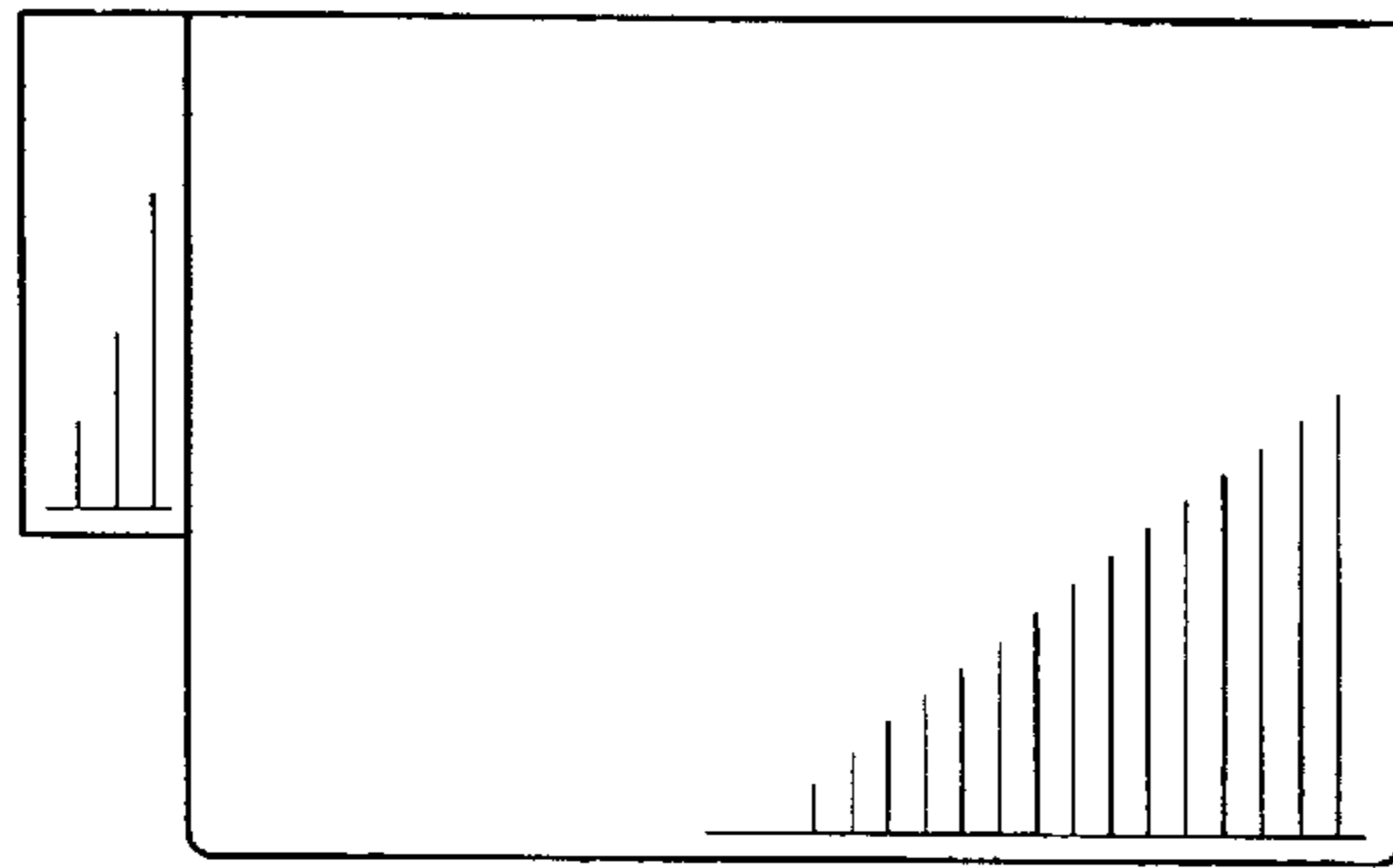


FIG. 4

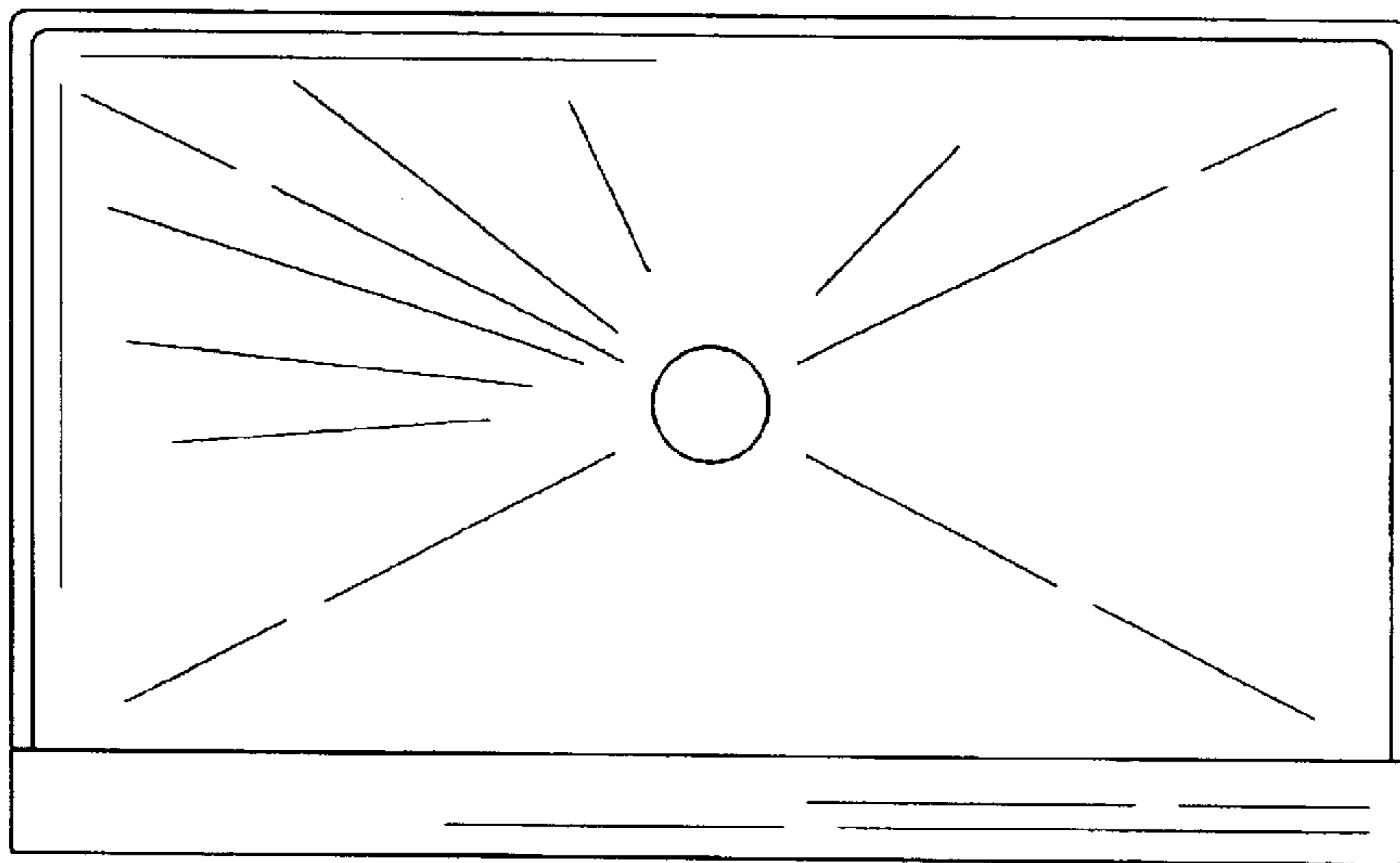


FIG. 5

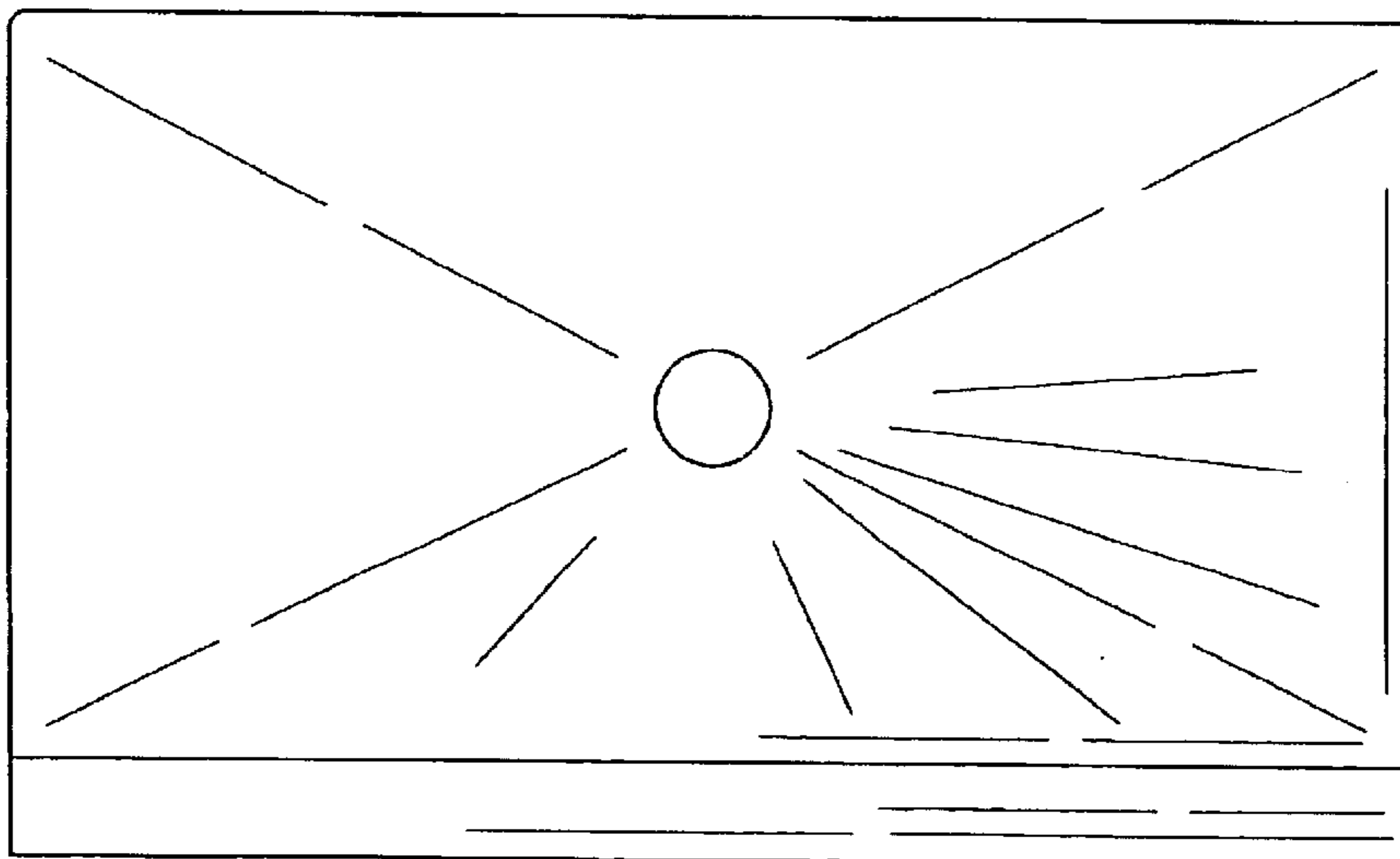


FIG. 6