



US00D492980S1

(12) **United States Design Patent**  
**Citterio**

(10) **Patent No.:** **US D492,980 S**  
(45) **Date of Patent:** **\*\* Jul. 13, 2004**

(54) **SANITARY FAUCET**

(75) **Inventor:** **Antonio Citterio**, Milan (IT)

(73) **Assignee:** **Hansgrohe AG**, Schiltach (DE)

(\*\*) **Term:** **14 Years**

(21) **Appl. No.:** **29/178,368**

(22) **Filed:** **Mar. 25, 2003**

(30) **Foreign Application Priority Data**

Sep. 25, 2002 (DE) ..... 4 02 08 048

(51) **LOC (7) Cl.** ..... **23-01**

(52) **U.S. Cl.** ..... **D23/238; D23/304; D23/228**

(58) **Field of Search** ..... D23/228, 238-257,  
D23/303, 304, 213, 223, 229, 273, 283;  
4/675-678, 552, 555, 567-605, 615-617,  
618, 900, 903; 137/801; 239/587.1, 587.2,  
587.5, 548

(56) **References Cited**

**U.S. PATENT DOCUMENTS**

D461,529 S \* 8/2002 Gottwald ..... D23/242  
D475,437 S \* 6/2003 Dimitriadis et al. .... D23/242  
D477,657 S \* 7/2003 Toyohara ..... D23/304

**OTHER PUBLICATIONS**

“alpi XESS” catalog, one page, Mar., 2002.  
“Rubinetterie BANDINI” catalog, 2 pages, Mar., 2002.

\* cited by examiner

*Primary Examiner*—Louis S. Zarfaz

*Assistant Examiner*—Gregory Andoll

(74) *Attorney, Agent, or Firm*—Duane Morris LLP

(57) **CLAIM**

The ornamental design for a sanitary faucet, as shown and described.

**DESCRIPTION**

FIG. 1: is a side perspective view of the sanitary faucet showing my new design;

FIG. 2: is a front elevation view thereof;

FIG. 3: is a side elevation view thereof;

FIG. 4: is the opposite side elevation view thereof;

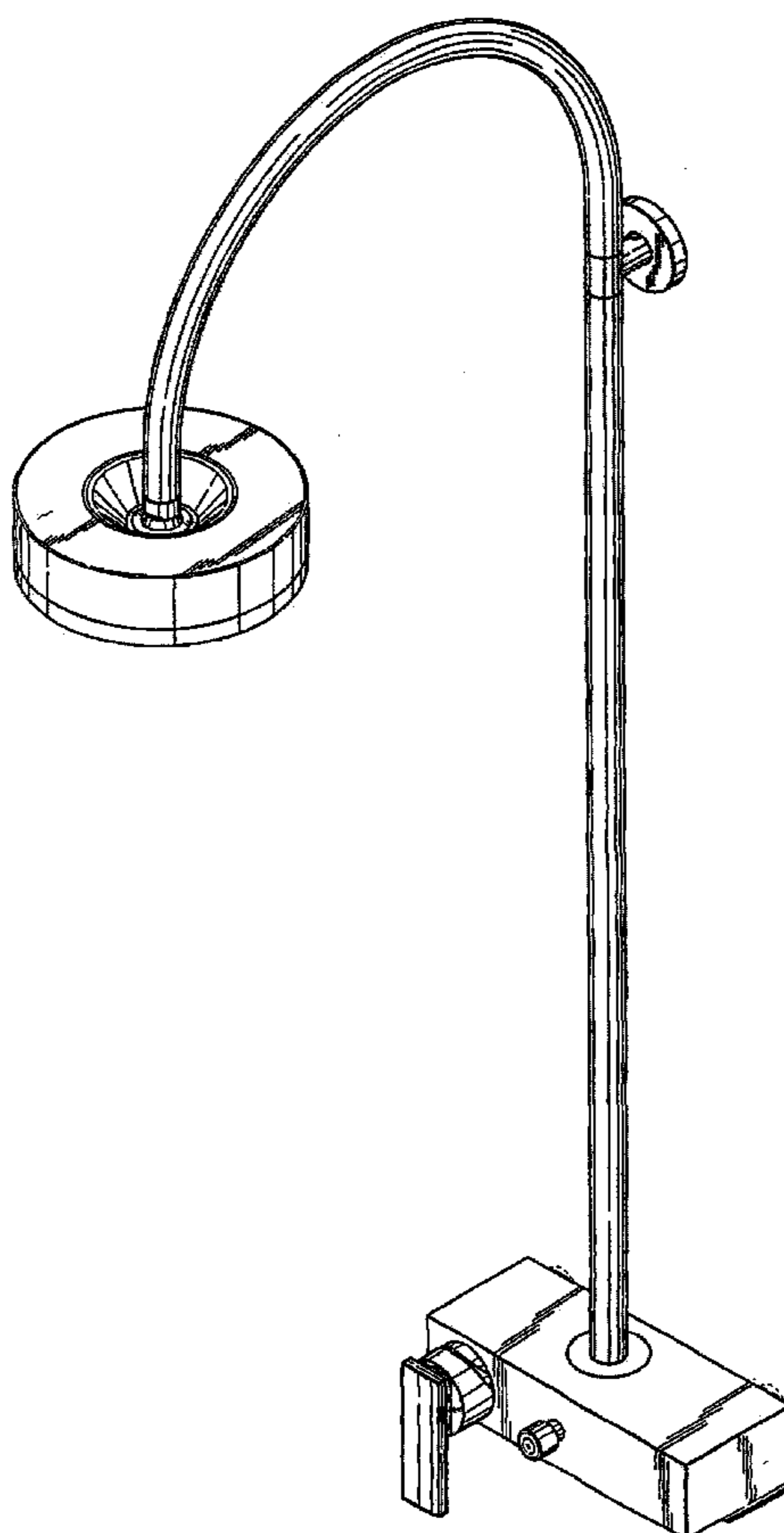
FIG. 5: is a rear elevation view thereof;

FIG. 6: is a bottom plan view thereof; and,

FIG. 7: is a top plan view thereof.

The broken lines in the Figures are for illustrative purposes only and form no part of the claimed design.

**1 Claim, 6 Drawing Sheets**



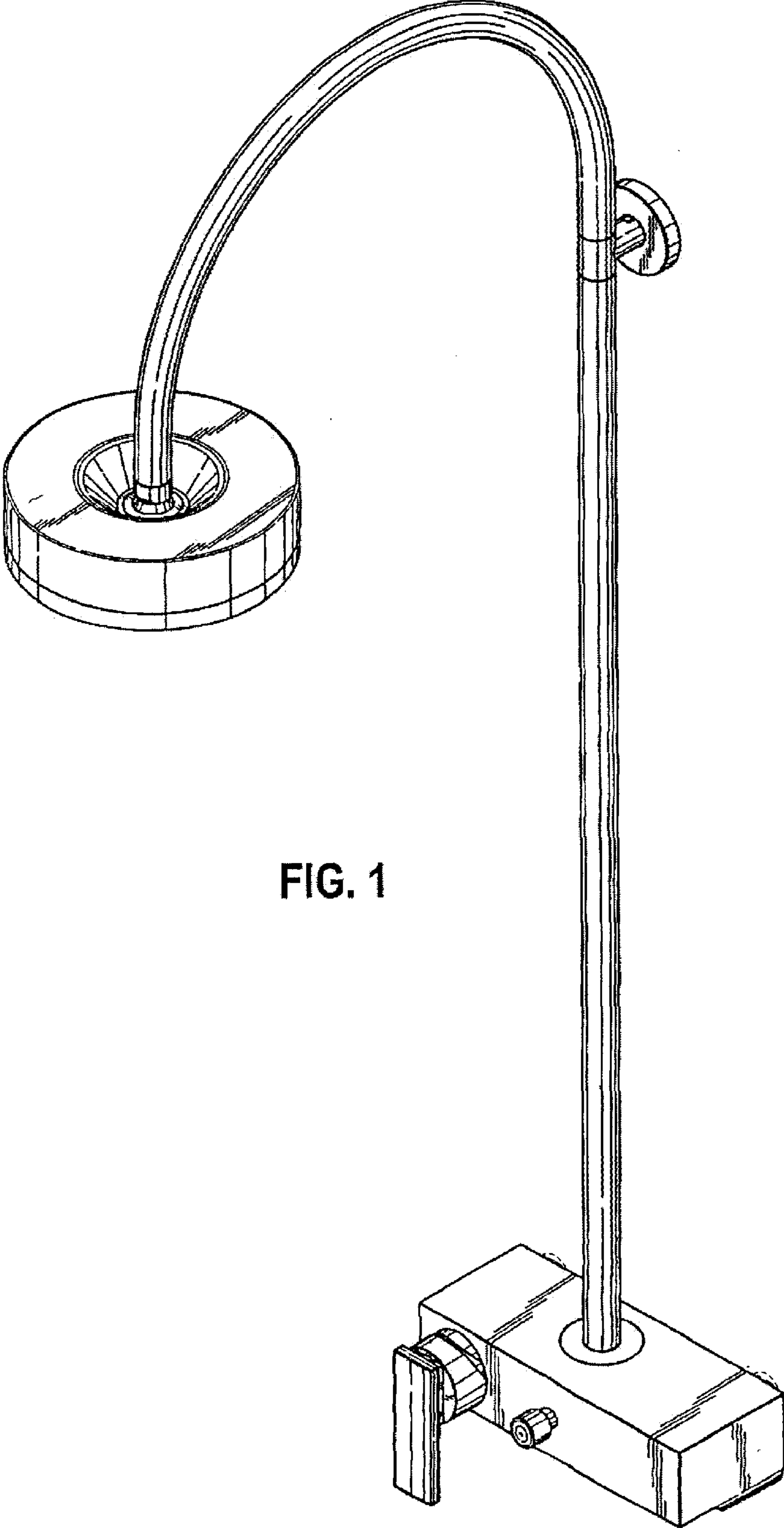


FIG. 1

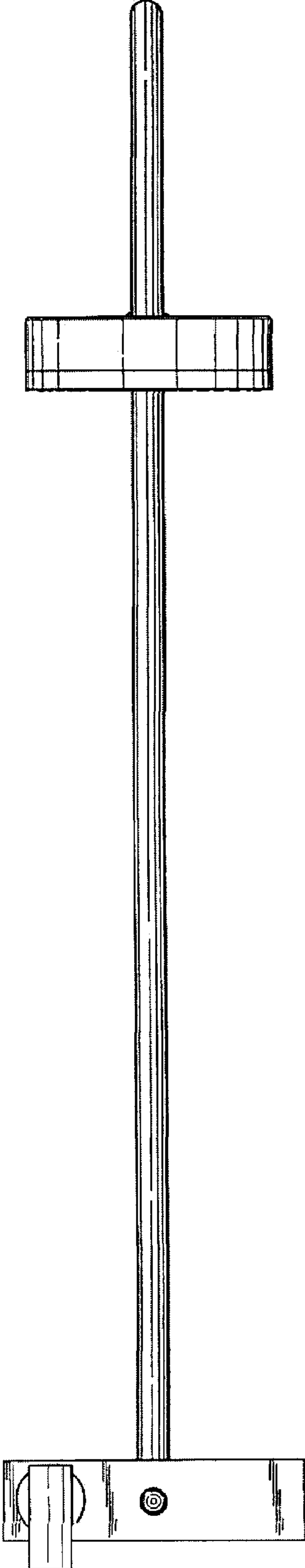


FIG. 2

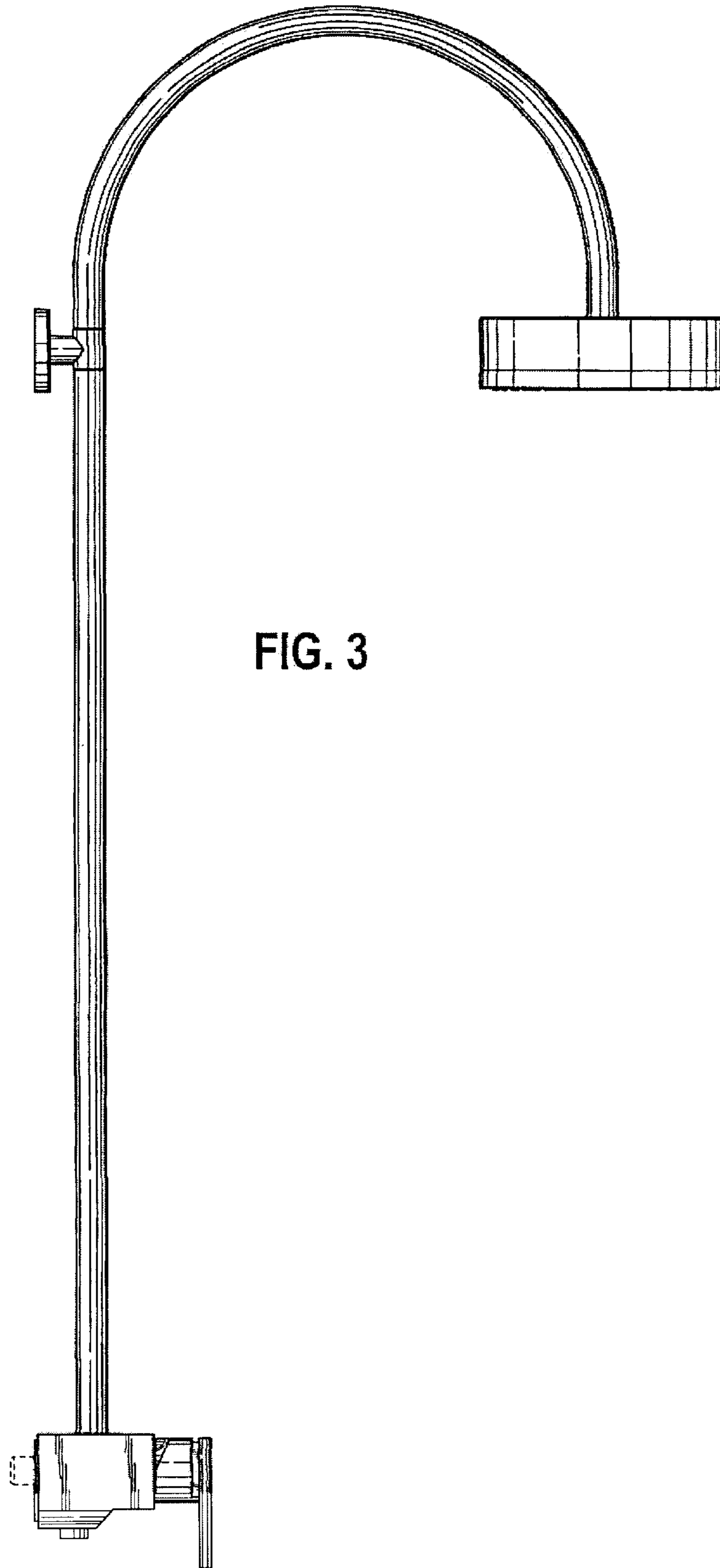


FIG. 3

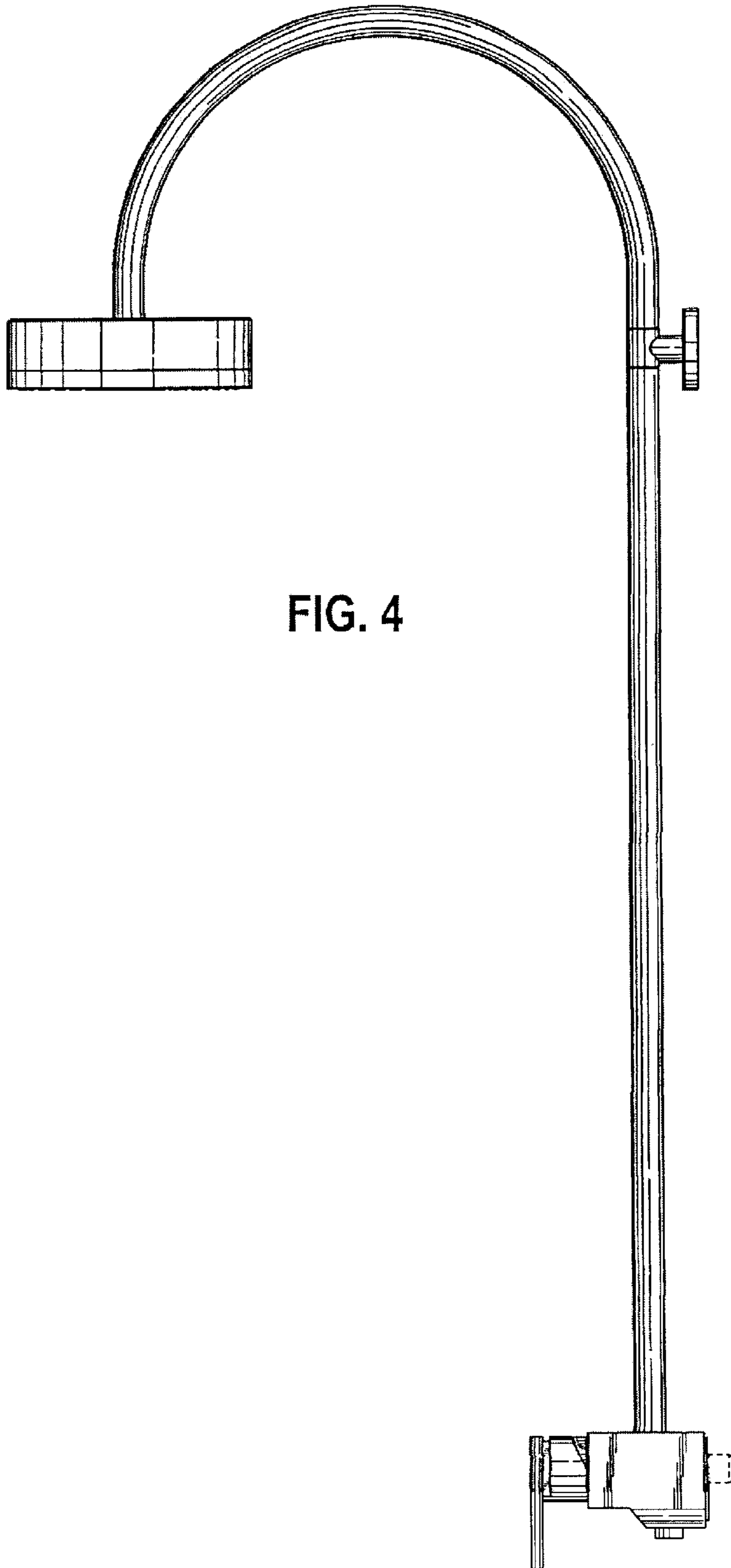


FIG. 4

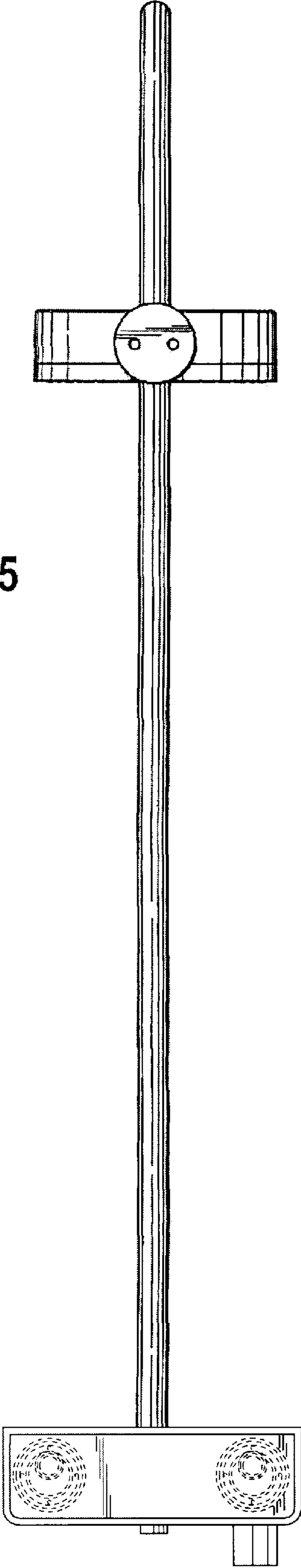


FIG. 5

FIG. 6

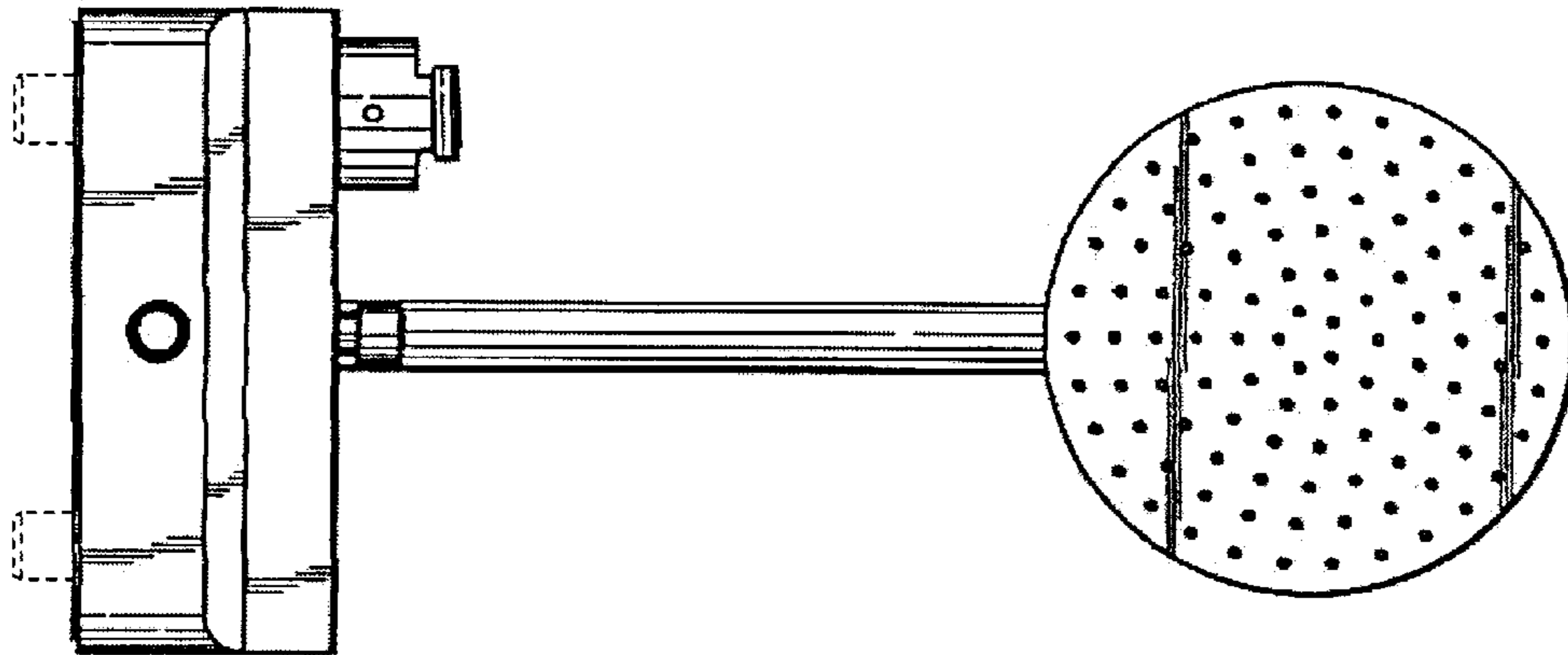


FIG. 7

