

US00D492977S1

(12) **United States Design Patent**
Squillante et al.

(10) **Patent No.: US D492,977 S**
(45) **Date of Patent: ** Jul. 13, 2004**

(54) **QUICK RELEASE DOUBLE FLASHLIGHT
RAIL MOUNTING SYSTEM**

6,425,561 B2 * 7/2002 Wooten et al. 248/229.1

(76) Inventors: **Michael Jon Squillante**, 1353 Unter Av
NW, Palm Bay, FL (US) 32907; **Oscar
Michener Fell**, 64 Yacht Haven Dr.,
Cocoa Beach, FL (US) 32931

(**) Term: **14 Years**

(21) Appl. No.: **29/188,319**

(22) Filed: **Aug. 18, 2003**

Related U.S. Application Data

(62) Division of application No. 29/162,074, filed on Jun. 10,
2002, now Pat. No. Des. 483,431.

(51) **LOC (7) Cl.** **22-01**

(52) **U.S. Cl.** **D22/109**

(58) **Field of Search** D22/100, 108,
D22/109, 110, 199; D16/132; 42/124, 125,
126, 127, 111, 112, 119; 248/229.1, 298.1;
362/100, 113, 114; D26/38

(56) **References Cited**

U.S. PATENT DOCUMENTS

2,234,518 A * 3/1941 Cuzdey 42/125
D286,424 S * 10/1986 Ekstrand D22/110
D422,045 S * 3/2000 Fell et al. D22/109
D444,531 S * 7/2001 Squillante et al. D22/110

OTHER PUBLICATIONS

(Letter "E" patent cited above), Pat. No. 6,425,561, has a
filing date of Jun. 2001.*

* cited by examiner

Primary Examiner—Louis S. Zarfaz
Assistant Examiner—Monica Weingart

(57) **CLAIM**

The ornamental design for quick release double flashlight
rail mounting system, as shown and described.

DESCRIPTION

FIG. 1 is a right elevation view of the quick release double
flashlight rail mounting system thereof, the left side being a
mirror image;

FIG. 2 is a top elevation view thereof;

FIG. 3 is a bottom elevation view thereof;

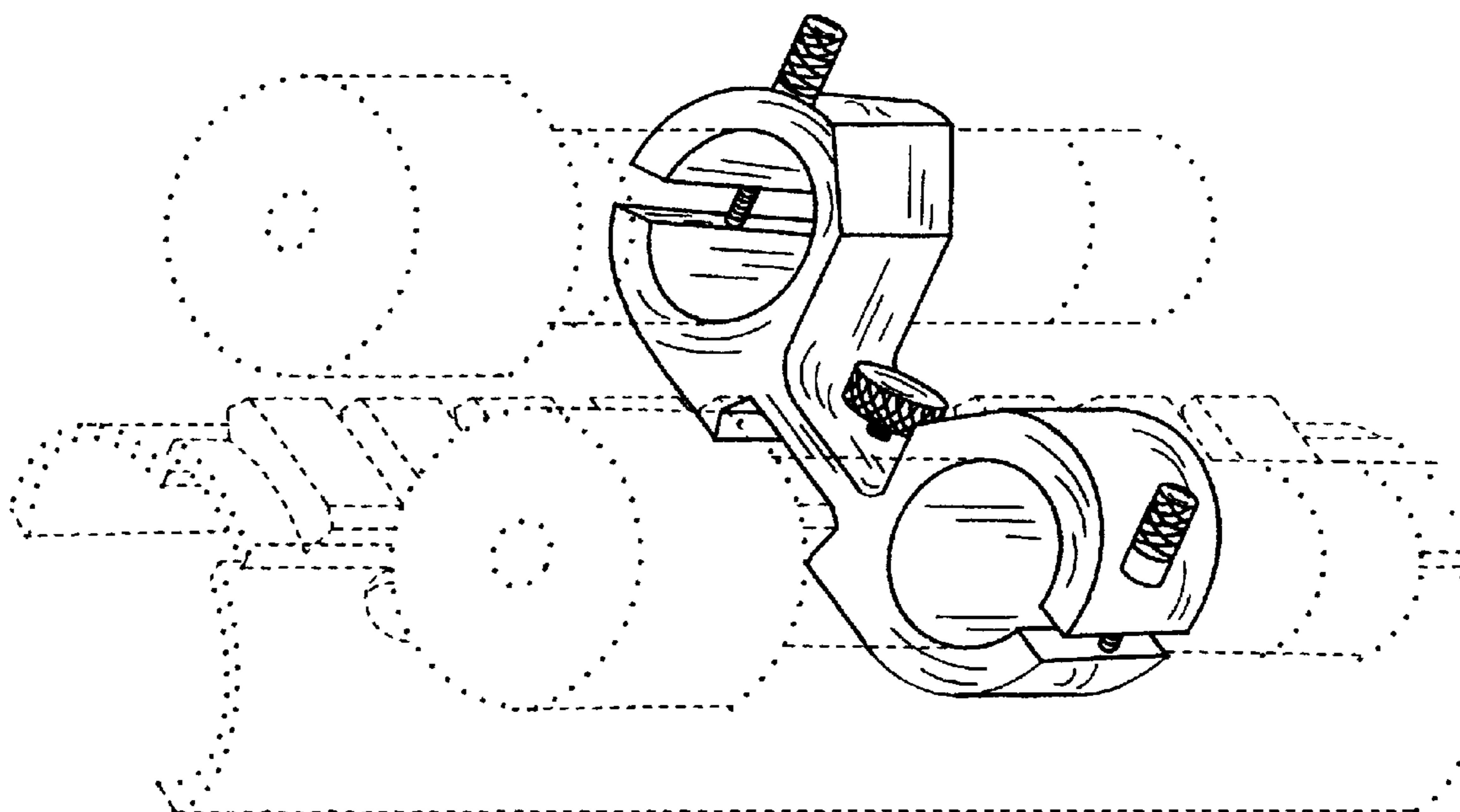
FIG. 4 is a top, front, left side perspective view thereof;

FIG. 5 is a front elevation view, the rear elevation view
being a mirror image thereof; and,

FIG. 6 is a top, front, left side perspective view, of FIG. 4,
shown attached to a rail and flashlight thereof.

The broken line showing of a rail and flashlight, in FIG. 6,
is for illustrative purposes only and forms no part of the
claimed design.

1 Claim, 2 Drawing Sheets



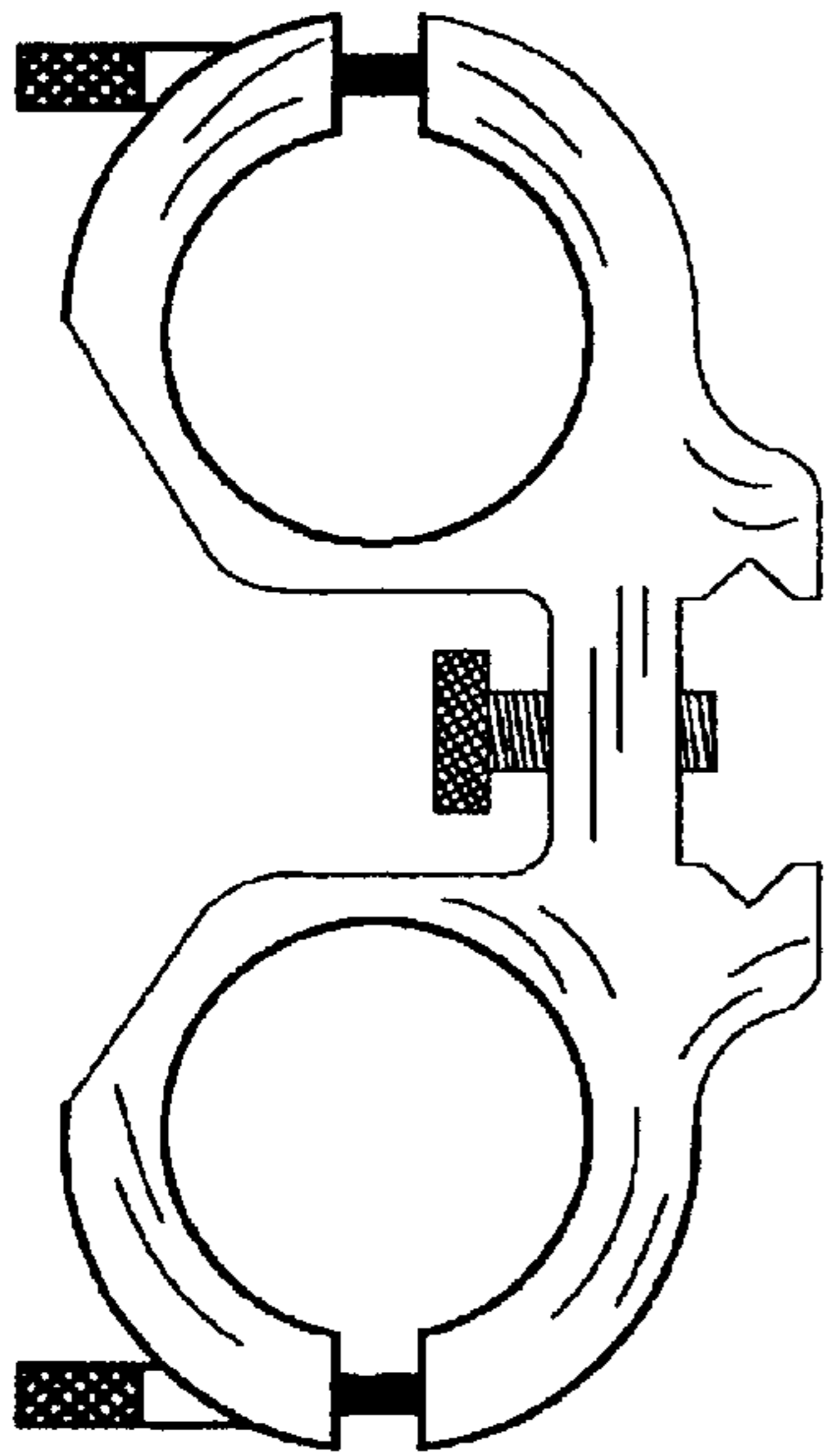


Fig. 1



Fig. 2



Fig. 3

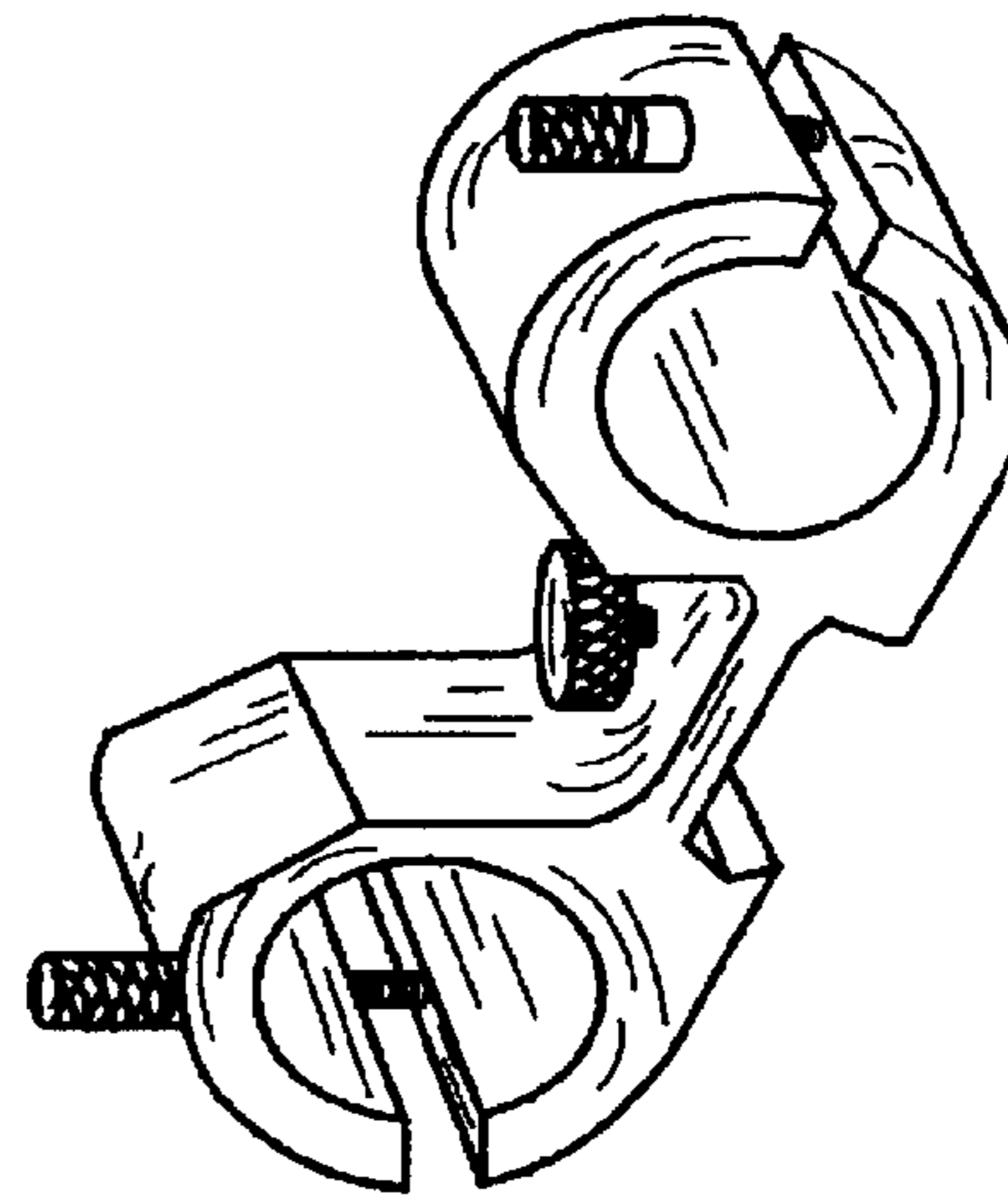


Fig. 4



Fig. 5

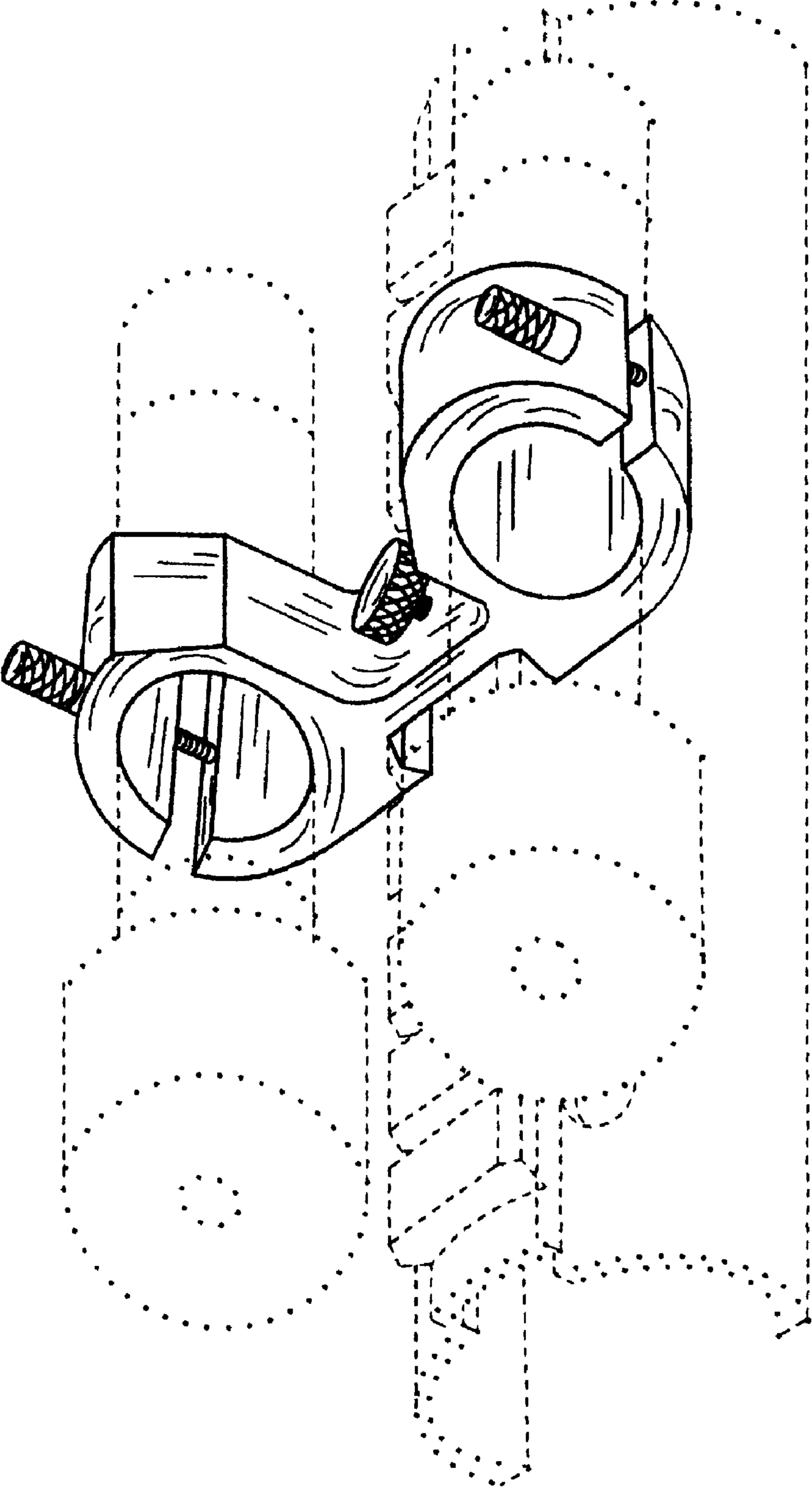


Fig. 6