

US00D492976S1

(12) **United States Design Patent**
Hsu

(10) **Patent No.:** **US D492,976 S**
(45) **Date of Patent:** **** Jul. 13, 2004**

(54) **GROUND INSERTED POLE SUPPORT**

(76) **Inventor:** **Shih Hao Hsu**, P.O. Box 63-99,
Taichung (TW), 406

(**) **Term:** **14 Years**

(21) **Appl. No.:** **29/174,018**

(22) **Filed:** **Jan. 8, 2003**

(51) **LOC (7) Cl.** **21-04**

(52) **U.S. Cl.** **D21/840**

(58) **Field of Search** D21/840; D8/1,
D8/388; D26/67, 142, 149; 135/118; 52/155;
248/499, 156, 87

(56) **References Cited**

U.S. PATENT DOCUMENTS

272,426 A *	2/1883	Gray et al.	135/118
790,910 A *	5/1905	McClintock	135/118
5,809,700 A *	9/1998	Roush et al.	52/155
5,832,672 A *	11/1998	Griffiths et al.	52/155

5,881,495 A *	3/1999	Clark	248/156
D461,867 S *	8/2002	Szydlek	D21/840
6,606,829 B2 *	8/2003	Benincasa et al.	52/155
6,631,527 B2 *	10/2003	Hyduk	135/118

* cited by examiner

Primary Examiner—Raphael Barkai

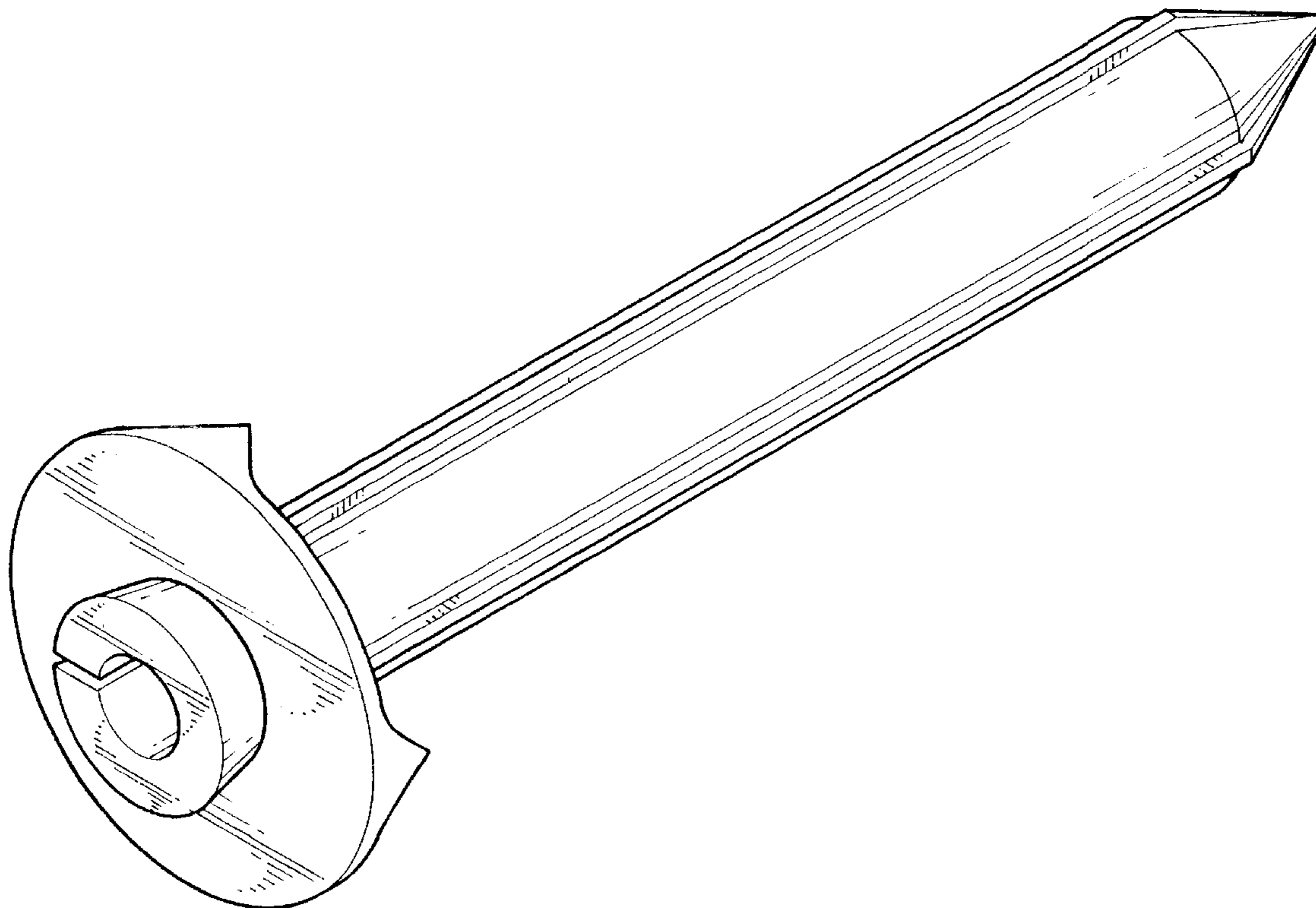
(57) **CLAIM**

The ornamental design for a ground inserted pole support, as shown and described.

DESCRIPTION

FIG. 1 is a perspective view of a ground inserted pole support showing my new design;
FIG. 2 is a front elevational view thereof;
FIG. 3 is a rear elevational view thereof;
FIG. 4 is a top plan view thereof;
FIG. 5 is a bottom plan view thereof;
FIG. 6 is a left side elevational view thereof; and,
FIG. 7 is a right side elevational view thereof.

1 Claim, 4 Drawing Sheets



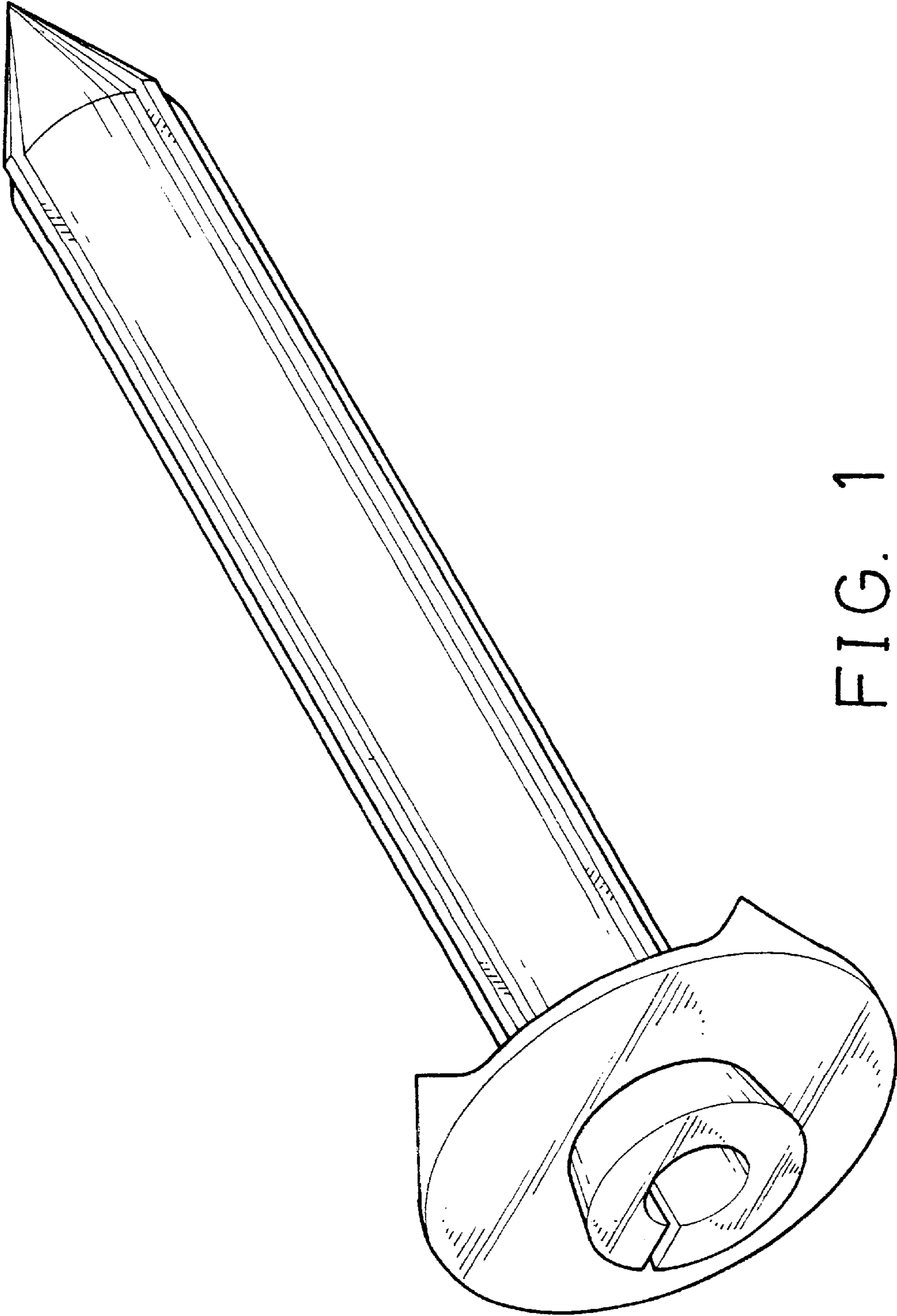


FIG. 1

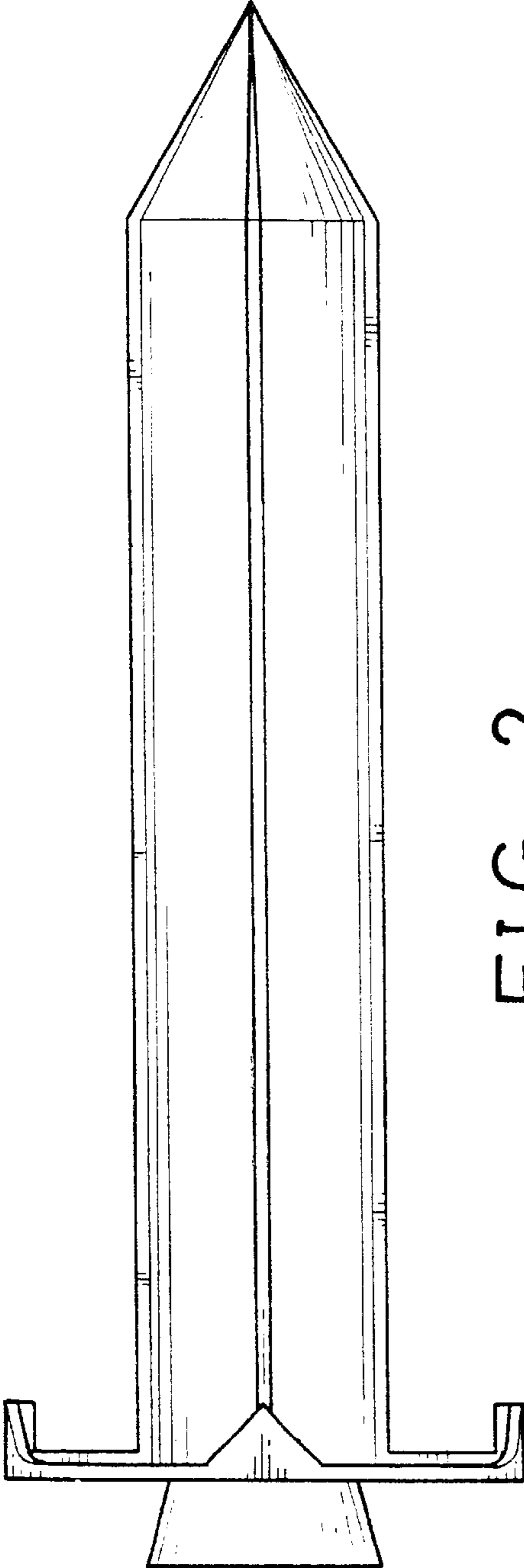


FIG. 2

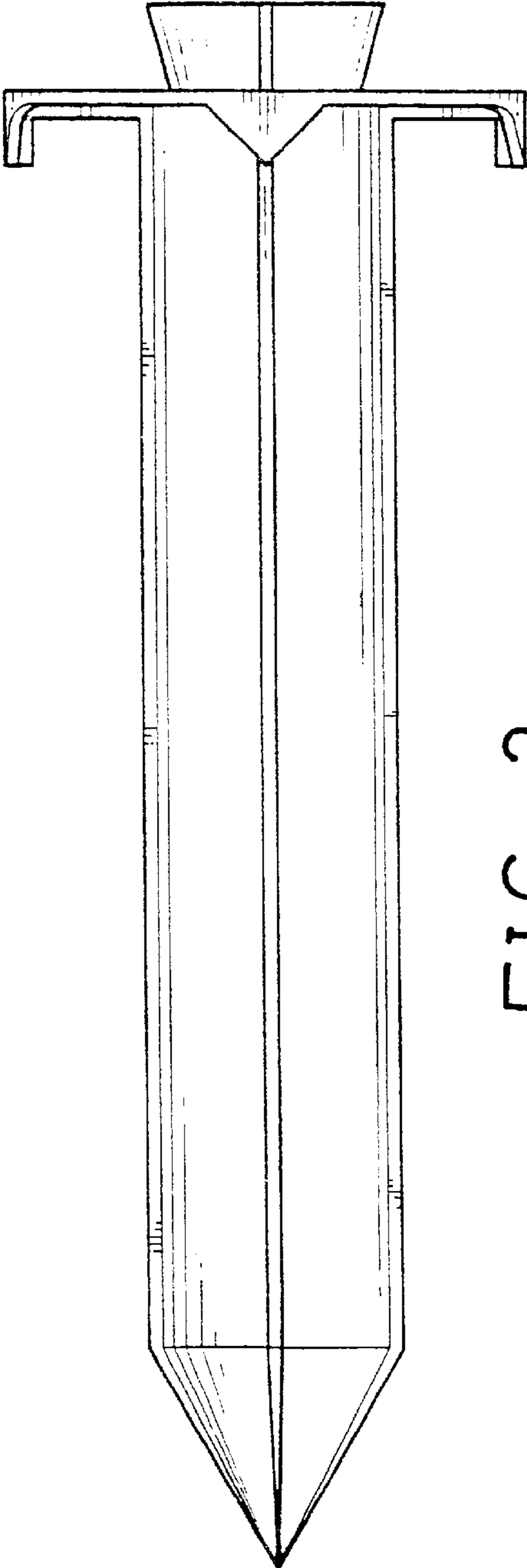


FIG. 3

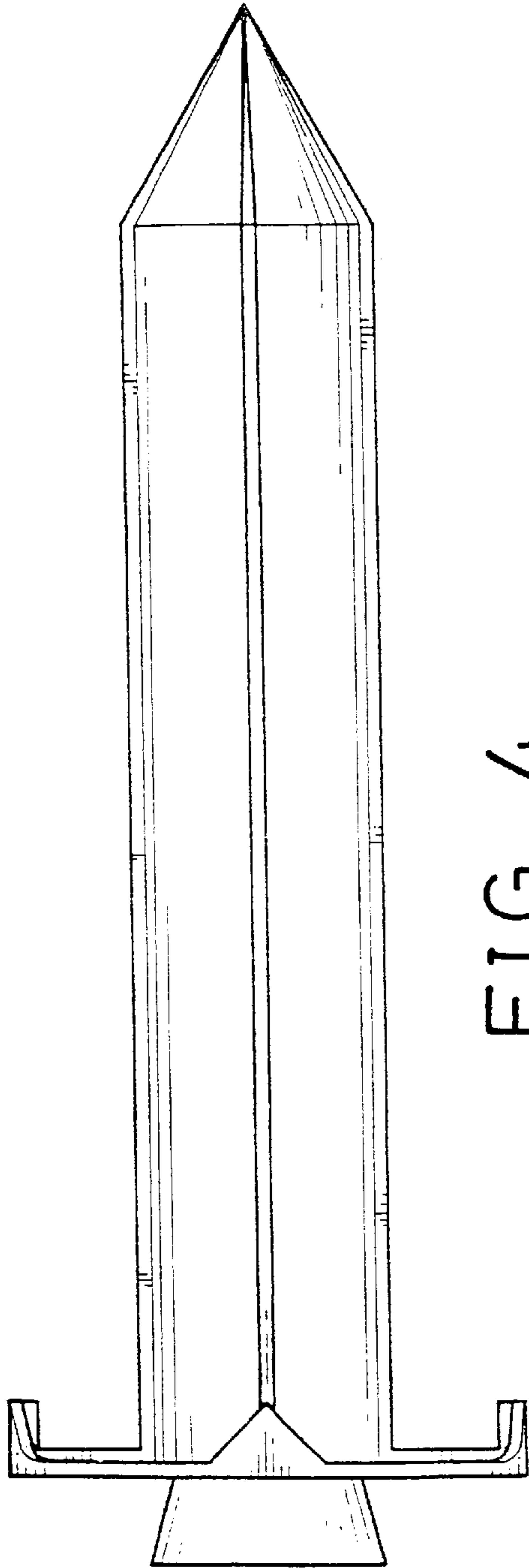


FIG. 4

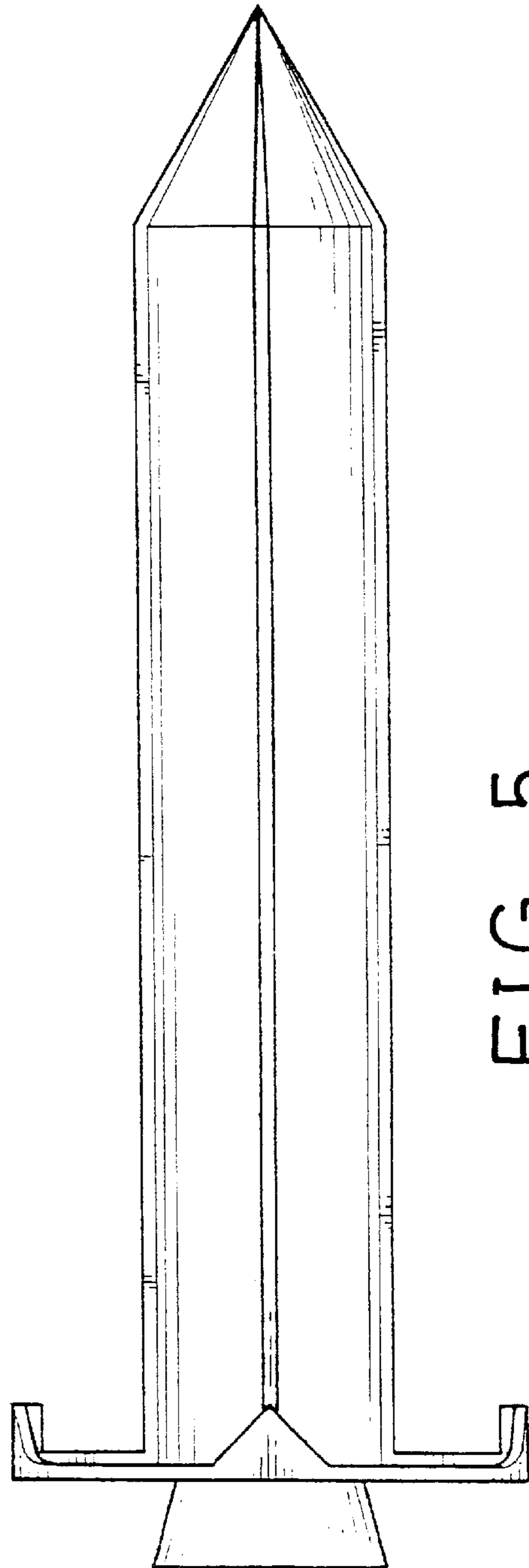


FIG. 5

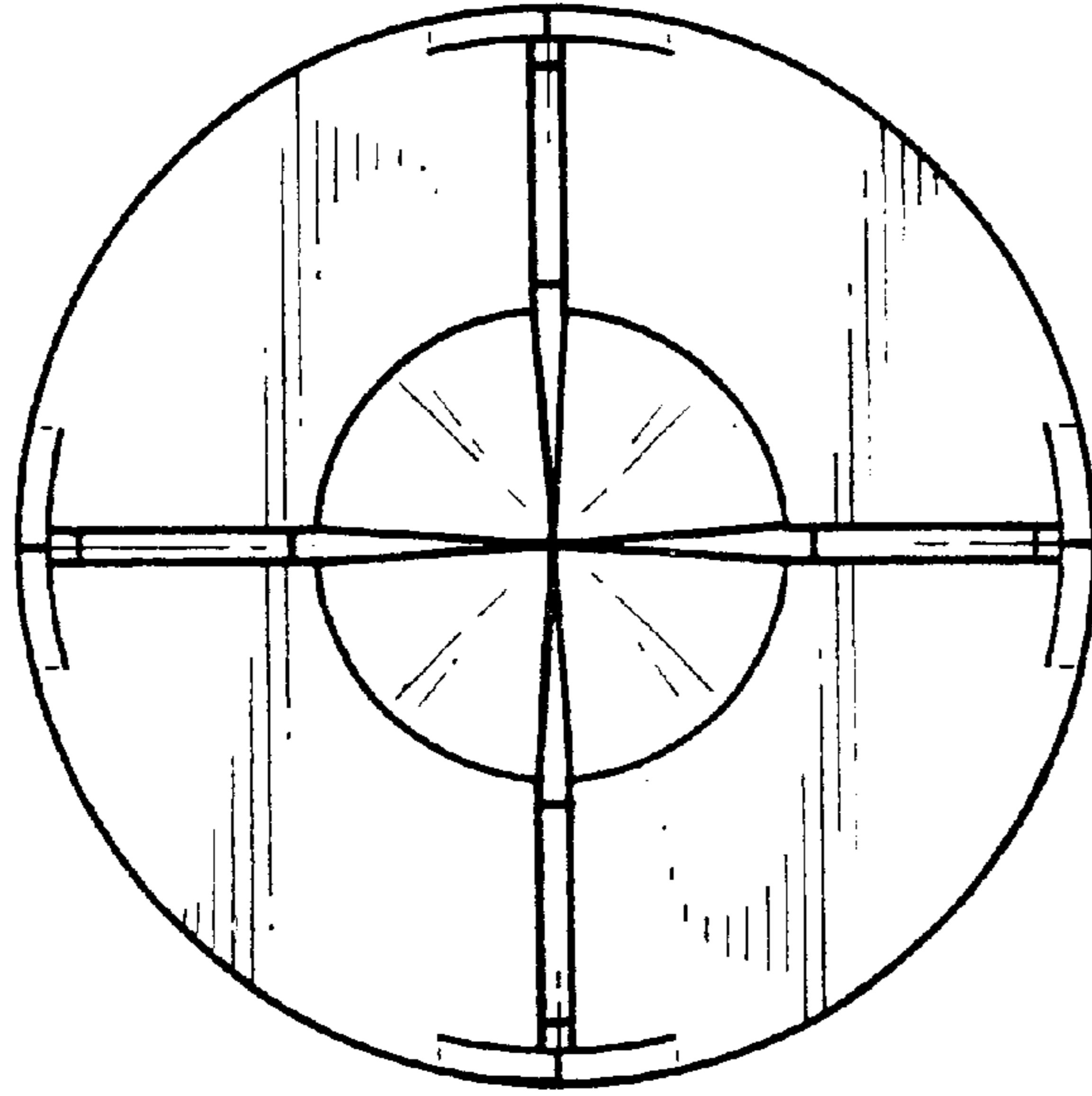


FIG. 7

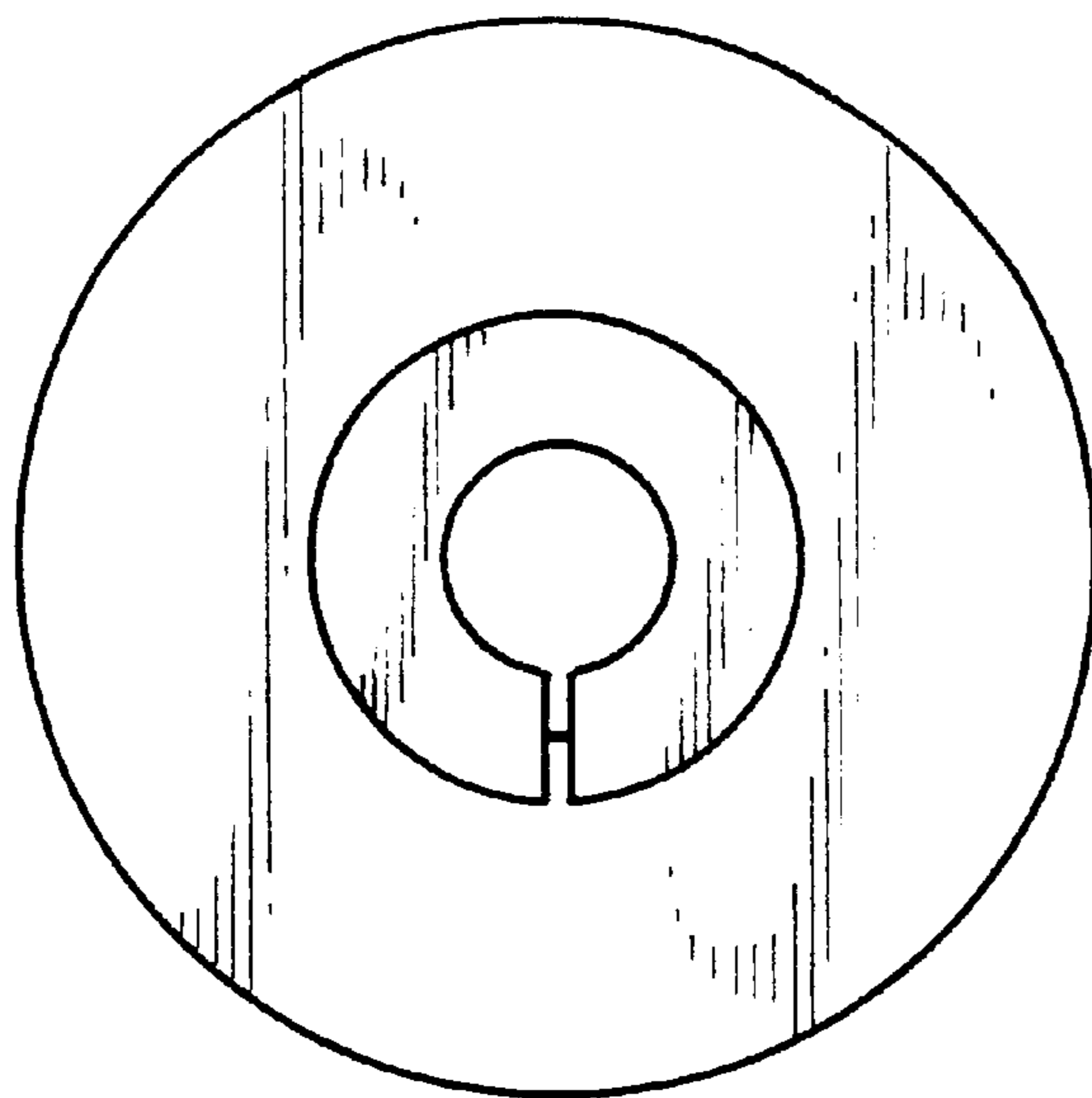


FIG. 6