



US00D492973S1

(12) **United States Design Patent** (10) **Patent No.:** **US D492,973 S**  
**Madore** (45) **Date of Patent:** **\*\* Jul. 13, 2004**

(54) **PORTION OF A GOLF CLUB HEAD**

(75) Inventor: **Carl L. Madore**, Portland, OR (US)

(73) Assignee: **Nike, Inc.**, Beaverton, OR (US)

(\*\*) Term: **14 Years**

(21) Appl. No.: **29/199,802**

(22) Filed: **Feb. 20, 2004**

(51) **LOC (7) Cl.** ..... **21-02**

(52) **U.S. Cl.** ..... **D21/759**

(58) **Field of Search** ..... D21/733, 752,  
D21/759; 473/324-331, 345, 346

(56) **References Cited**

**U.S. PATENT DOCUMENTS**

3,997,170 A	12/1976	Goldberg
D247,922 S	5/1978	Sheldon
D266,344 S	9/1982	Duclos
D307,783 S	5/1990	Iinuma
D310,254 S	8/1990	Take et al.
D326,886 S	6/1992	Sun et al.
D344,772 S	3/1994	Long et al.
D351,441 S	10/1994	Iinuma et al.
D352,983 S	11/1994	Williams, Jr.
D354,324 S	1/1995	Stites, III

(List continued on next page.)

**OTHER PUBLICATIONS**

Golfsmith Clubmaking Catalog 1997 p. 63, dated 1997.  
 Edwin Watts Golf Shops Catalog Late Summer 1998 p. S4, dated Summer 1998.  
 Edwin Watts Golf Holiday 2001 Gift Guide p. 11, dated Holiday 2001.  
 Edwin Watts Golf Catalog Spring 2002 p. 18, dated Spring 2002.  
 Edwin Watts Golf Catalog Summer 2002 p. 8, dated Summer 2002.

Edwin Watts Golf Catalog Holiday 2002 pp. 30, 69, dated Holiday 2002.

Edwin Watts Golf Catalog Summer 2003 pp. 8, 12, 31, dated Summer 2003.

Edwin Watts Golf Catalog Jan. 2004 pp. 4, 17, 19, 20, 53, 54 dated Jan. 2004.

Advertisement for Ram FX3 Wood Set (www.golfsmith.com), 1 sheet, date unknown but on or prior to Jan. 22, 2004.

Advertisement for Killer Bee Stainless Steel Driver (www.golfsmith.com), 1 sheet, date unknown but on or prior to Jan. 22, 2004.

The Golf Club Warehouse, V Tour Forged (Nike Forged Clone) Titanium Driver (www.golfclub-warehouse.com), 2 sheets, date unknown but on or prior to Jan. 15, 2004.

Monark Golf Supply, Inc., V Series 400 cc Titanium (www.monarkgolf.com) 1 sheet, date unknown but on or prior to Jan. 22, 2004.

*Primary Examiner*—Mitchell Siegel

(74) *Attorney, Agent, or Firm*—Banner & Witcoff, Ltd.

(57) **CLAIM**

The ornamental design for a portion of a golf club head, as shown and described.

**DESCRIPTION**

FIG. 1 is a perspective view of a portion of a golf club head showing my new design; and

FIG. 2 is a plan view thereof;

FIG. 3 is a rear view thereof;

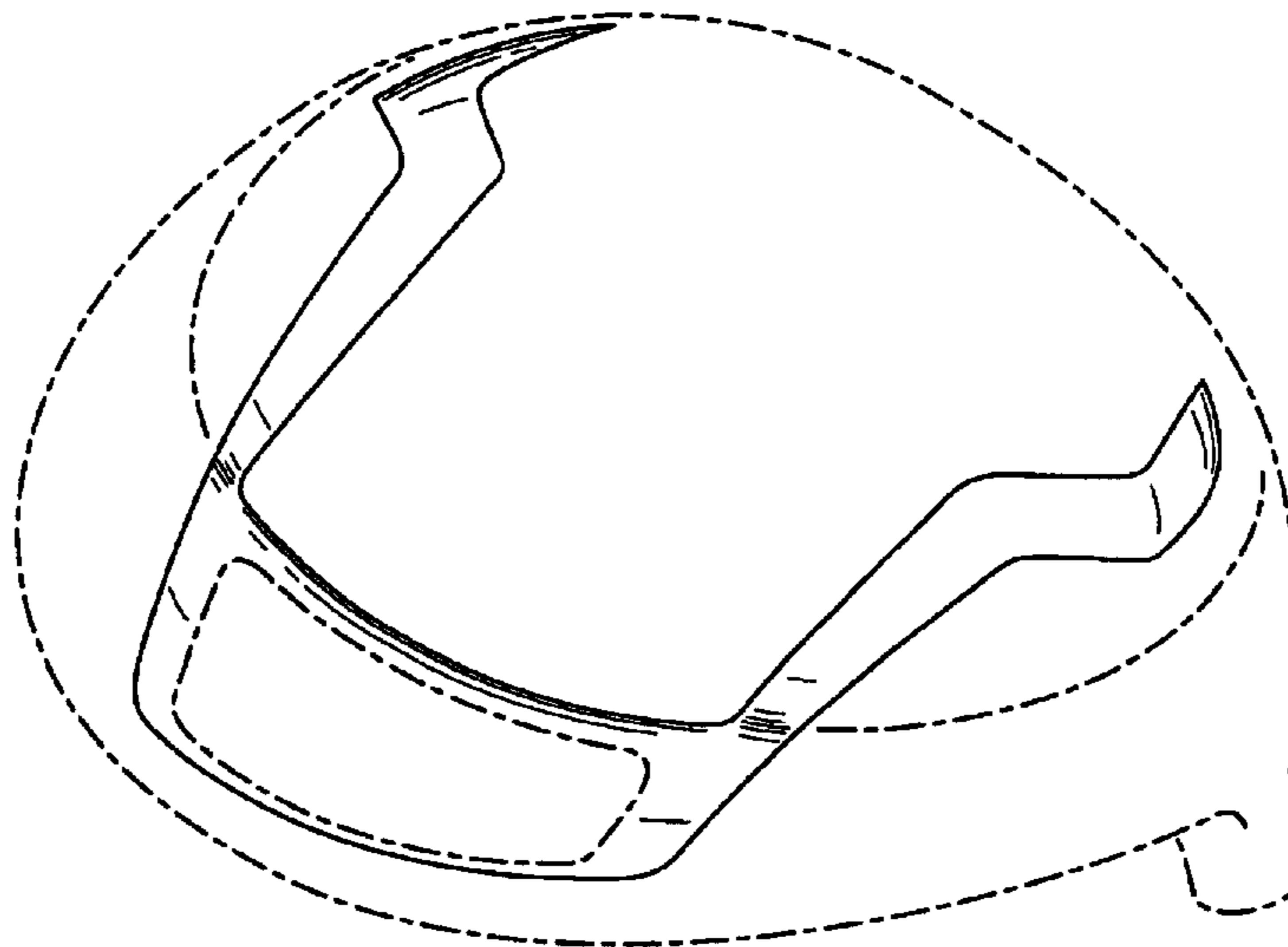
FIG. 4 is a perspective view of a portion of a golf club head showing a second embodiment of my new design; and

FIG. 5 is a plan view thereof; and,

FIG. 6 is a rear view thereof.

The broken line showing of the four sided element within the shaded area, and the remainder of the golf club head is for illustrative purposes only and forms no part of the claimed design. The broken line showing of the circular elements in FIGS. 4-6 is for illustrative purposes only and forms no part of the claimed design.

**1 Claim, 4 Drawing Sheets**



# US D492,973 S

Page 2

## U.S. PATENT DOCUMENTS

D354,784 S	1/1995	Long et al.		D445,471 S	7/2001	Besnard et al.	
5,441,263 A	8/1995	Gorman		6,257,991 B1	7/2001	Ortiz	
D362,039 S	9/1995	Lin		D446,563 S *	8/2001	Besnard et al. ....	D21/752
D364,204 S	11/1995	Lin		D446,567 S	8/2001	Nagai et al.	
5,464,217 A	11/1995	Shenoha et al.		D453,203 S	1/2002	Madore et al.	
D366,079 S	1/1996	Kenmi		D457,212 S	5/2002	Yamane et al.	
D366,684 S	1/1996	Lin		D457,583 S	5/2002	Olsavsky et al.	
5,497,995 A	3/1996	Swisshelm		D459,425 S *	6/2002	Burnett et al. ....	D21/752
5,524,890 A	6/1996	Kim et al.		6,416,422 B1	7/2002	Nagai et al.	
D371,815 S	7/1996	Kenmi		D461,215 S	8/2002	Madore	
D371,816 S	7/1996	Yoshioka		D461,513 S	8/2002	Madore et al.	
D372,512 S	8/1996	Simmons		D461,862 S	8/2002	Madore et al.	
D375,535 S	11/1996	Gorman		D461,865 S	8/2002	Nagai et al.	
D380,512 S	7/1997	Oku		D463,838 S	10/2002	Besnard et al.	
5,643,107 A	7/1997	Gorman		D470,555 S	2/2003	Burnett et al.	
D382,612 S	8/1997	Oyer		D471,246 S	3/2003	Jones et al.	
D383,181 S	9/1997	Gorman		D471,941 S	3/2003	Burnett et al.	
D392,007 S	3/1998	Fox		D472,592 S *	4/2003	Smith et al. ....	D21/733
D394,688 S	5/1998	Fox		D472,593 S *	4/2003	Smith et al. ....	D21/733
D396,512 S	7/1998	Besnard et al.		D472,950 S	4/2003	Burnett et al.	
D406,295 S	3/1999	Long		D482,091 S	11/2003	Soracco et al.	
D435,075 S	12/2000	Ota		2002/0094882 A1	7/2002	Nagai et al.	
D435,615 S *	12/2000	Besnard et al. ....	D21/752	2003/0134687 A1	7/2003	Truesdale	
D442,244 S	5/2001	Olsavsky et al.					

\* cited by examiner

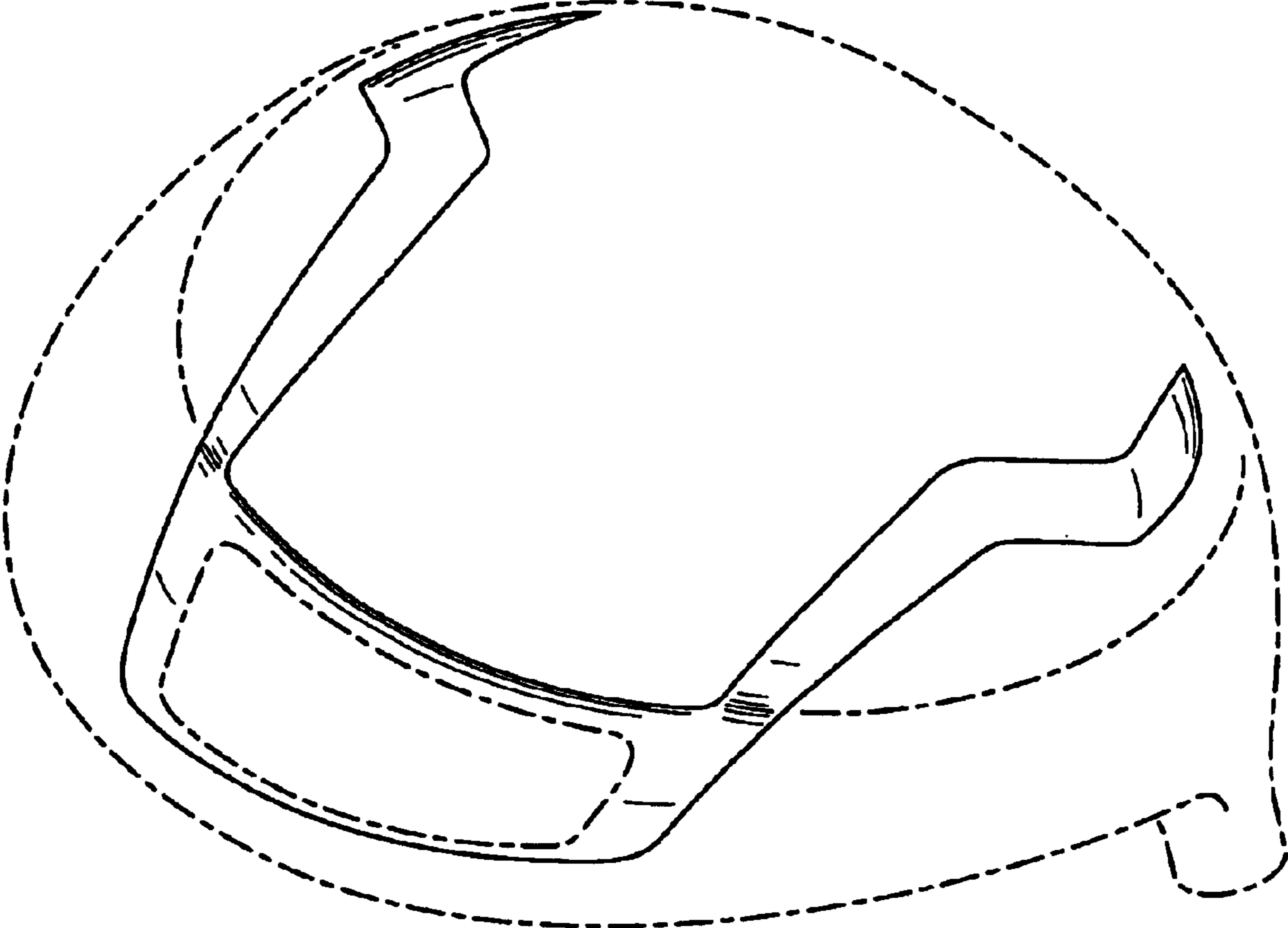


FIG. 1

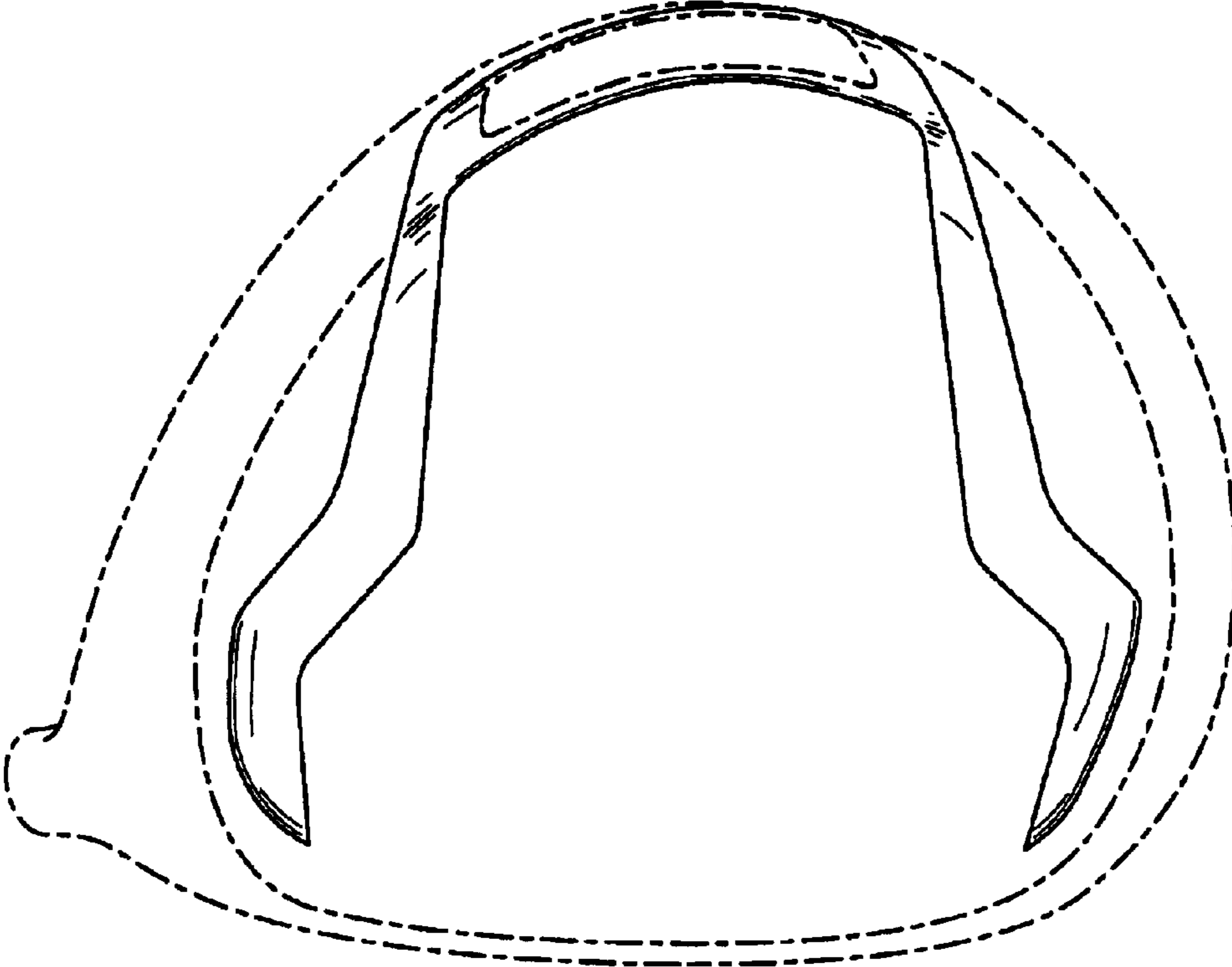


FIG. 2

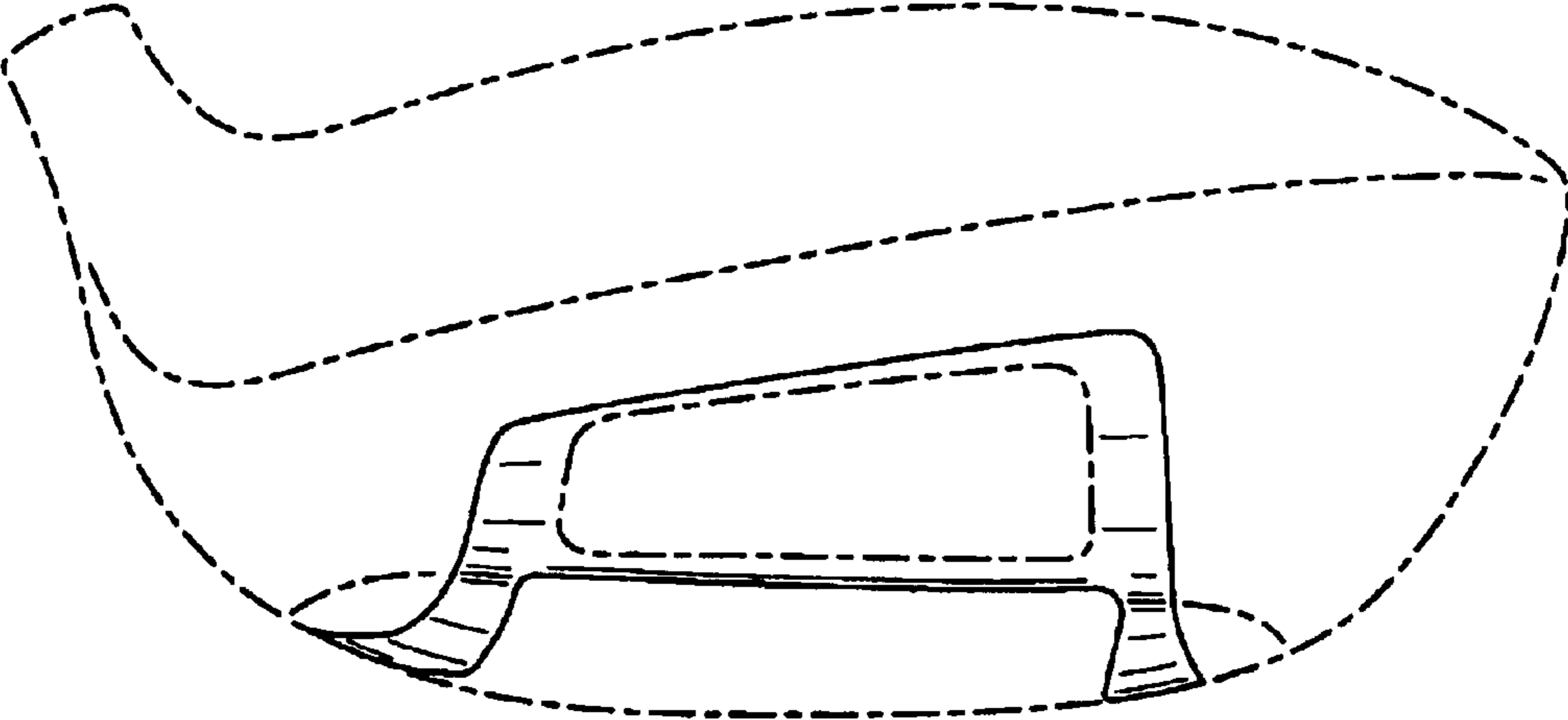


FIG. 3

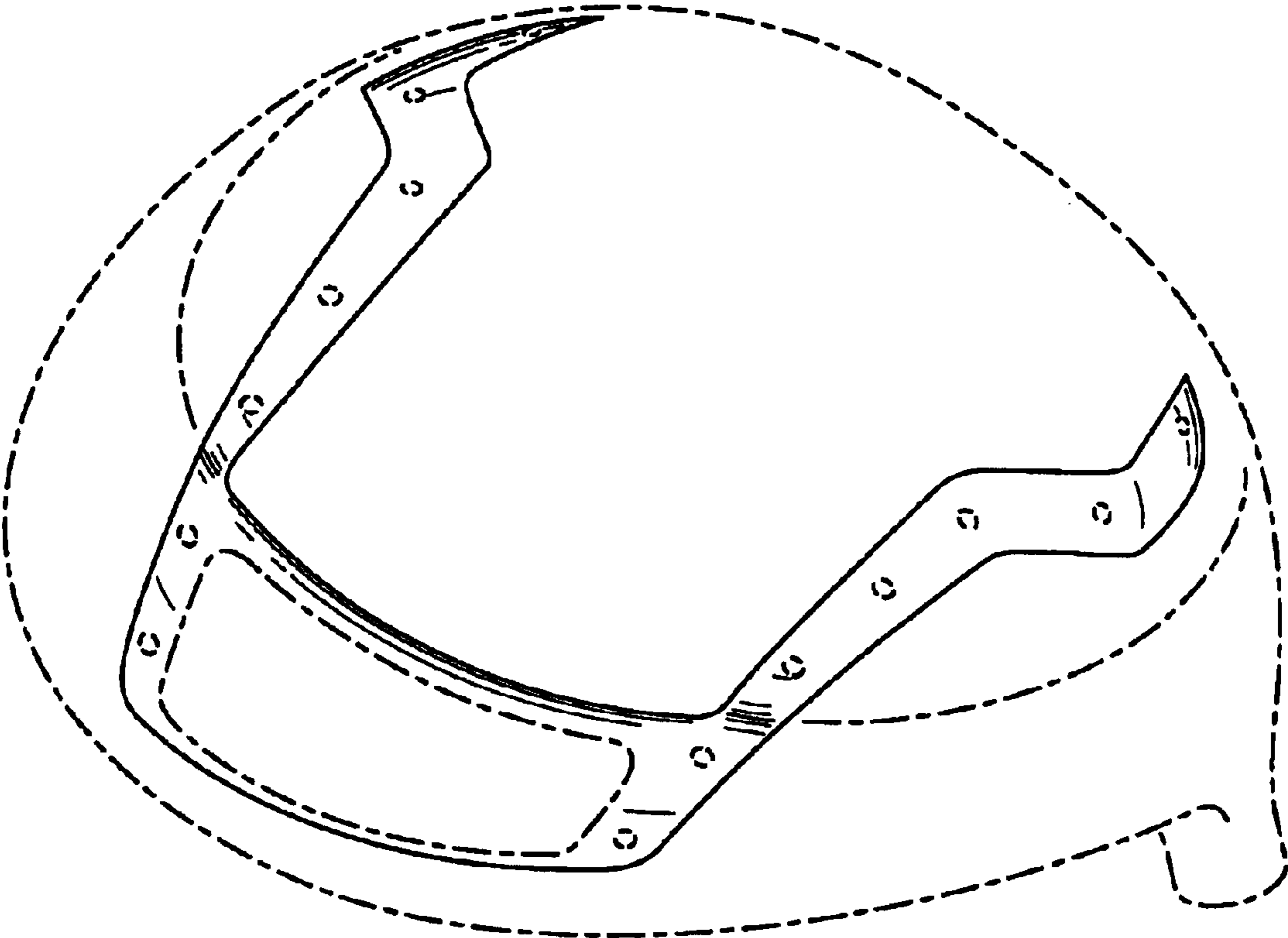


FIG. 4

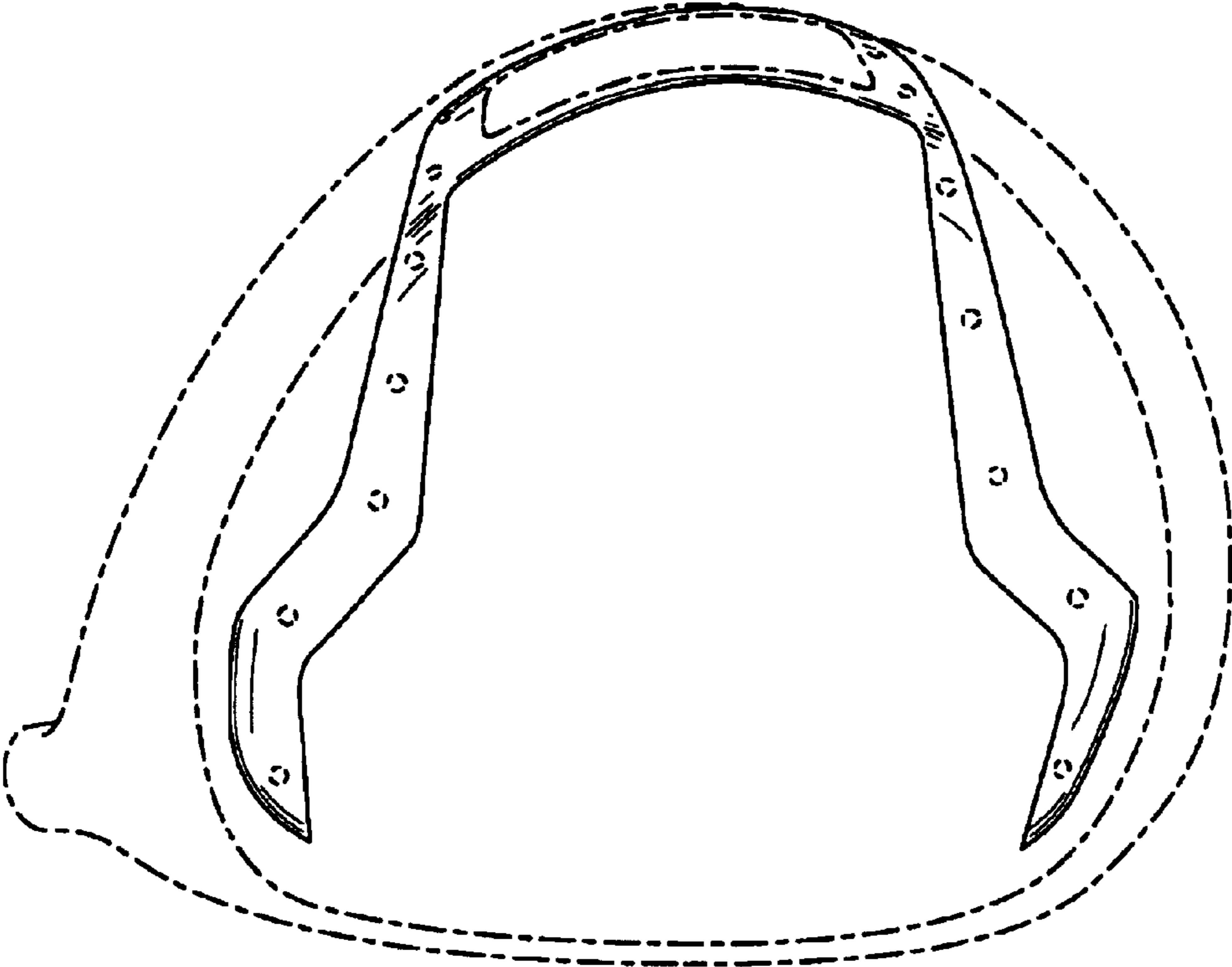


FIG. 5

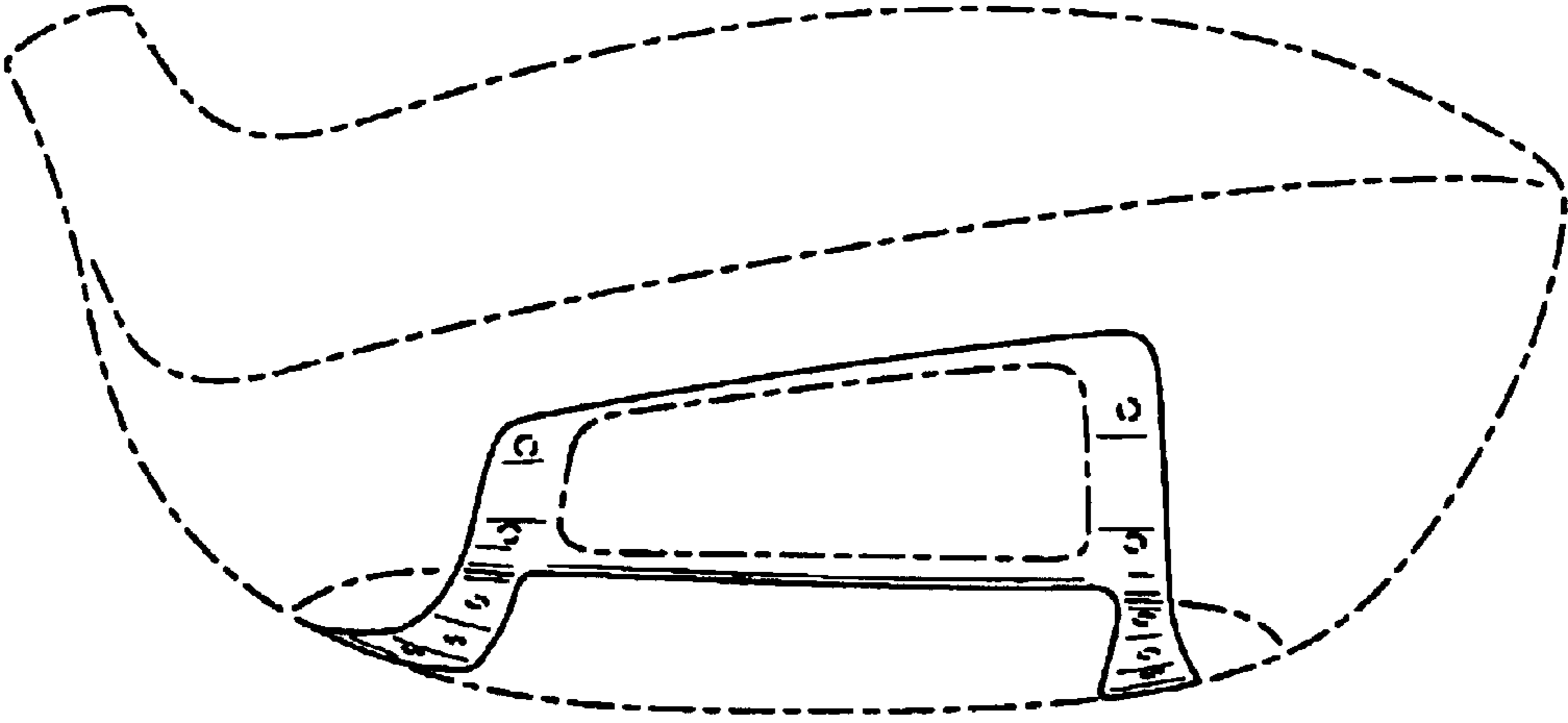


FIG. 6