

US00D492970S1

(12) **United States Design Patent**
Tabor

(10) **Patent No.:** **US D492,970 S**
(45) **Date of Patent:** **** Jul. 13, 2004**

(54) **BOMBER KITE**

(76) **Inventor:** **Don Tabor**, 556 Florence St., Imperial Beach, CA (US) 91932

(**) **Term:** **14 Years**

(21) **Appl. No.:** **29/175,838**

(22) **Filed:** **Feb. 10, 2003**

(51) **LOC (7) Cl.** **21-01**

(52) **U.S. Cl.** **D21/445; D21/449**

(58) **Field of Search** **D21/430, 445-450; 244/153 R, 154, 155 R, 155 A; 446/34-68**

(56) **References Cited**

U.S. PATENT DOCUMENTS

1,605,814 A	*	11/1926	Dempster	446/30
2,947,108 A	*	8/1960	Dodd, Jr. et al.	446/30
2,969,946 A	*	1/1961	Andrews	244/154
3,022,966 A	*	2/1962	Briggs	244/154
3,091,889 A	*	6/1963	Zaic	446/66
3,653,151 A	*	4/1972	Laurent	446/66
D245,637 S	*	8/1977	Jewett	D21/450
D316,577 S	*	4/1991	Kovats	D21/445

5,749,761 A	*	5/1998	Kim	446/60
D443,902 S	*	6/2001	Wang	D21/453
6,290,179 B1	*	9/2001	Kerns	244/154

* cited by examiner

Primary Examiner—Philip S. Hyder

Assistant Examiner—C. Tuttle

(74) *Attorney, Agent, or Firm*—Cislo & Thomas, LLP

(57) **CLAIM**

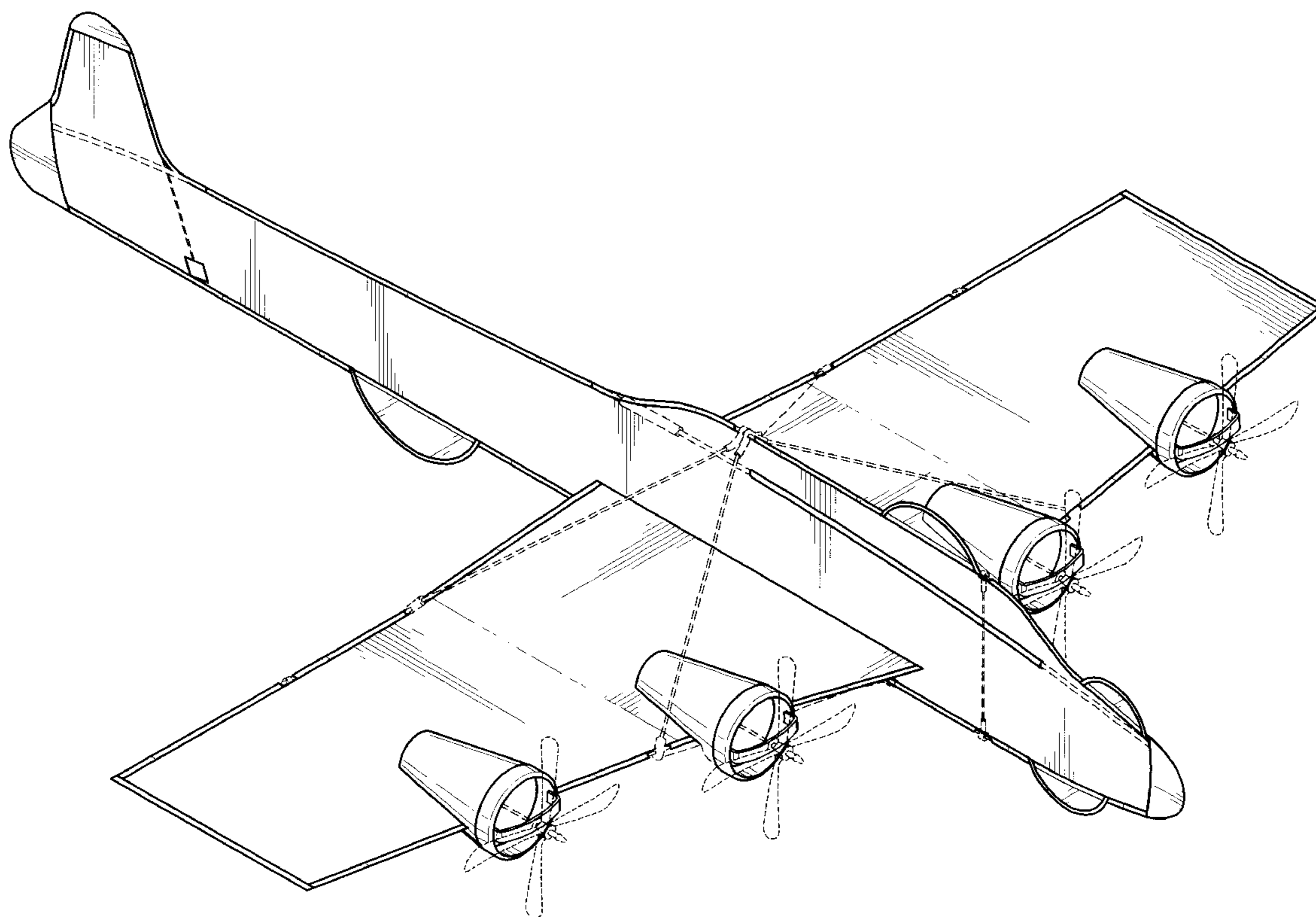
The ornamental design for a bomber kite, as shown and described herein.

DESCRIPTION

FIG. 1. Is a top perspective view of my bomber kite design;
FIG. 2. Is a top plan view thereof;
FIG. 3. Is a bottom plan view thereof;
FIG. 4. Is a rear view thereof;
FIG. 5. Is a front view thereof;
FIG. 6. Is a left side view thereof; and,
FIG. 7. Is a right side view thereof.

The elements shown in broken lines showing are for illustrative purposes only and form no part of the claimed design.

1 Claim, 5 Drawing Sheets



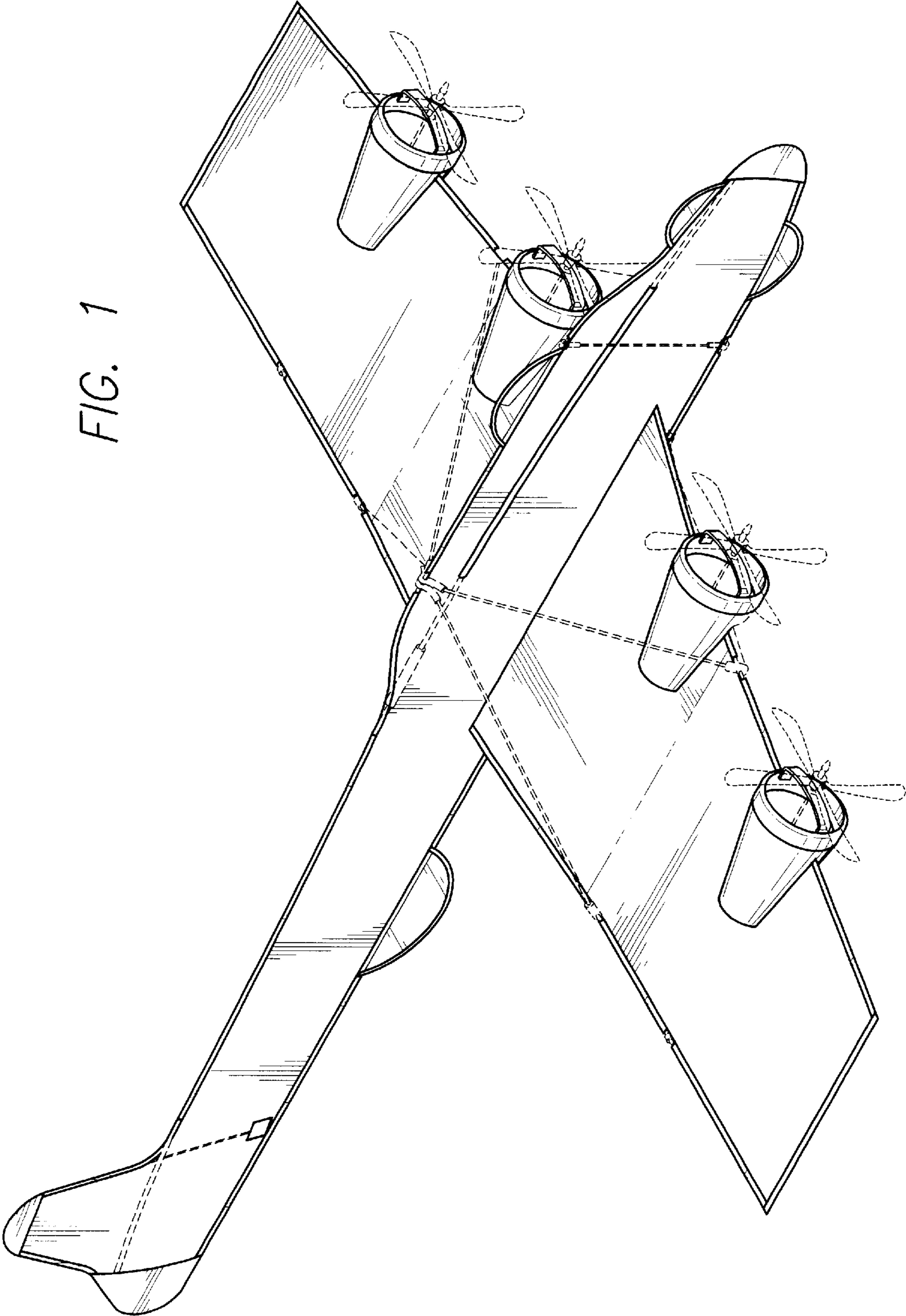


FIG. 1

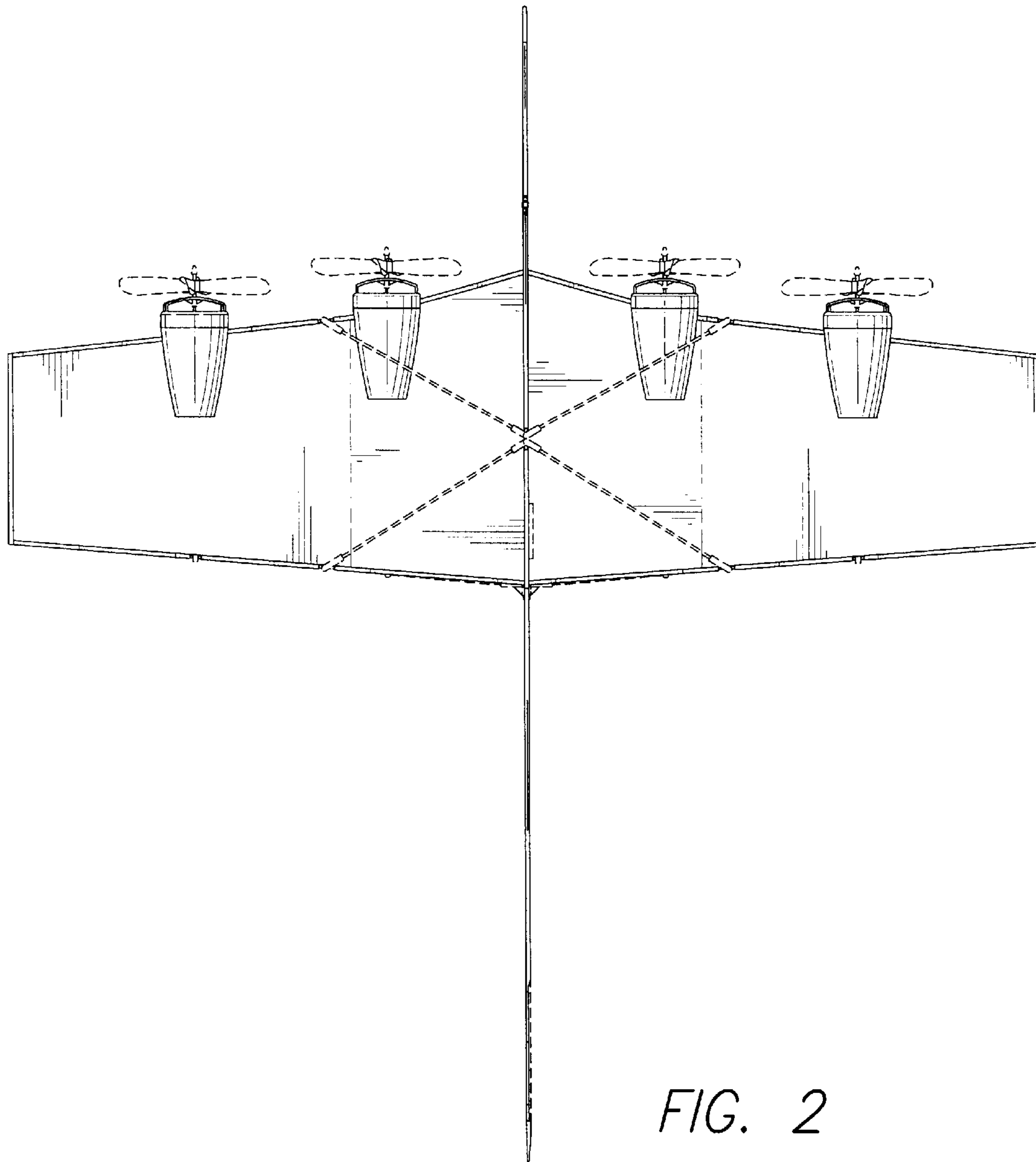


FIG. 2

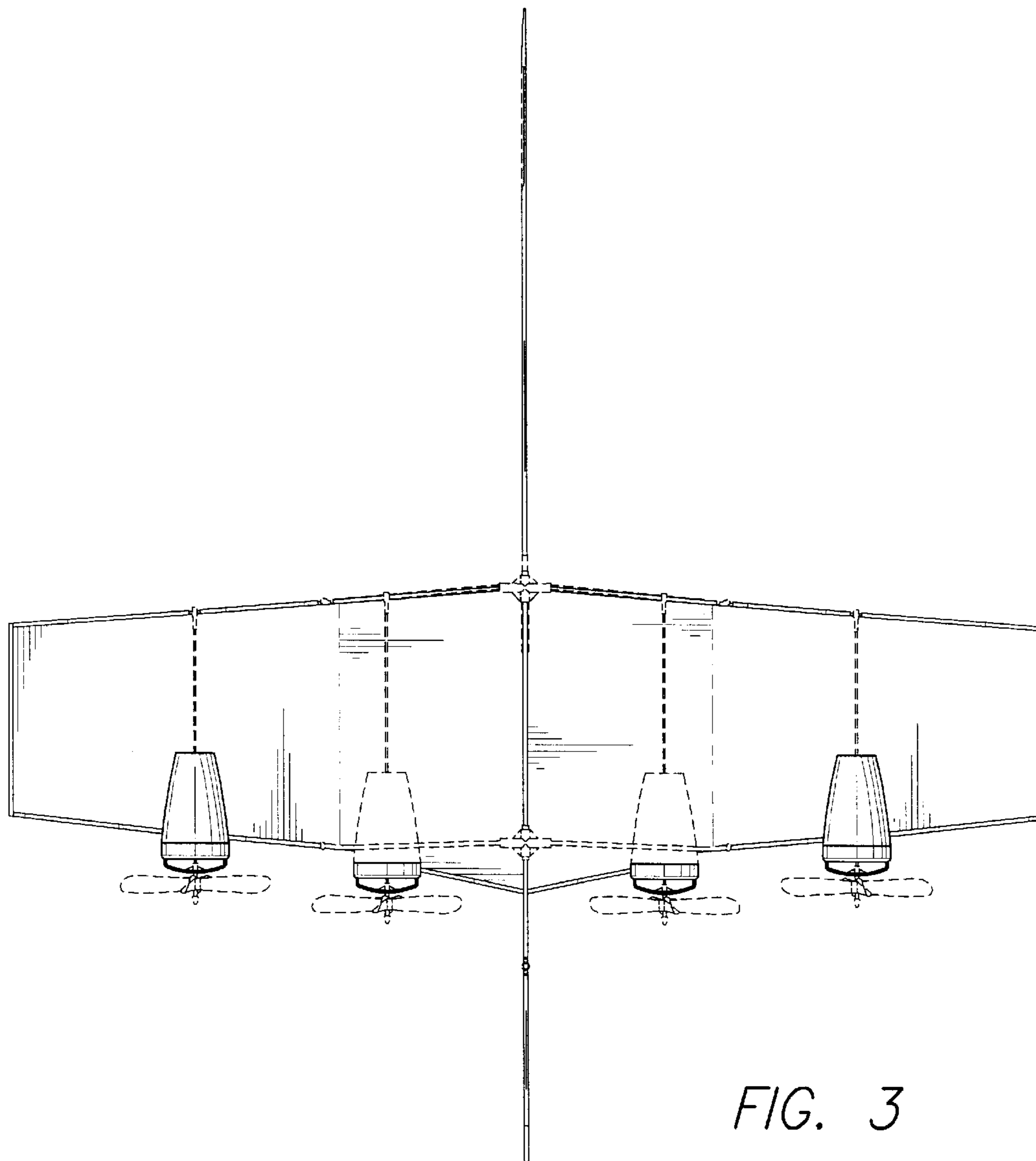


FIG. 3

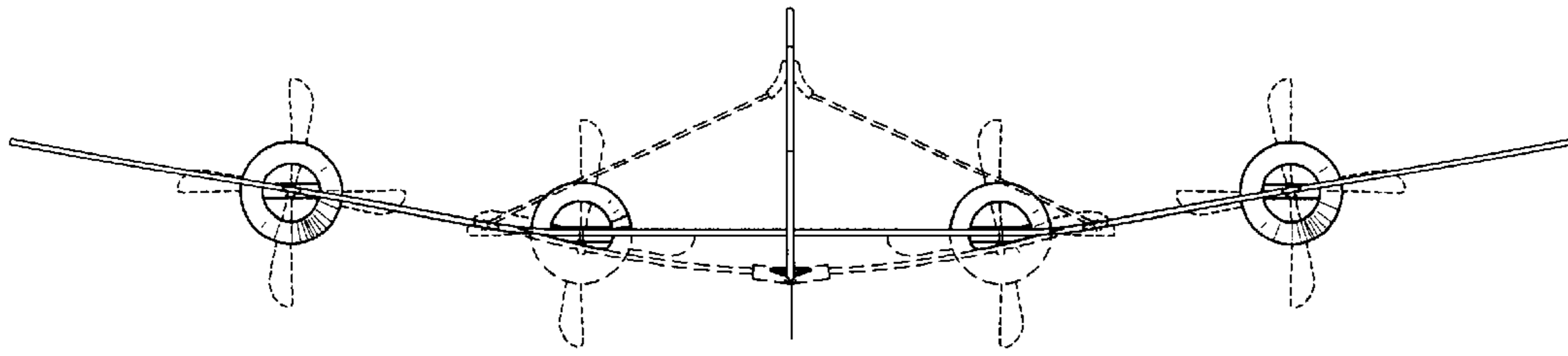


FIG. 4

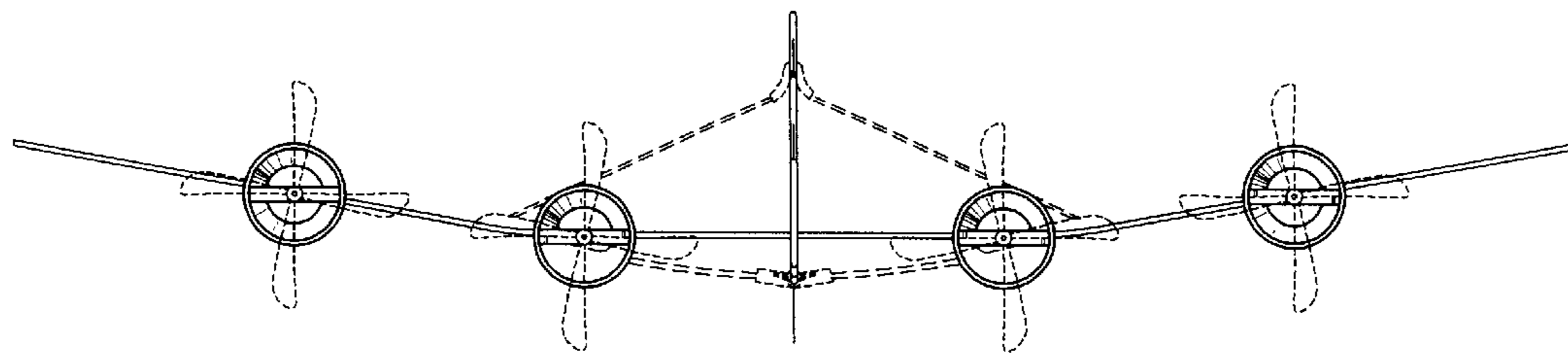


FIG. 5

FIG. 6

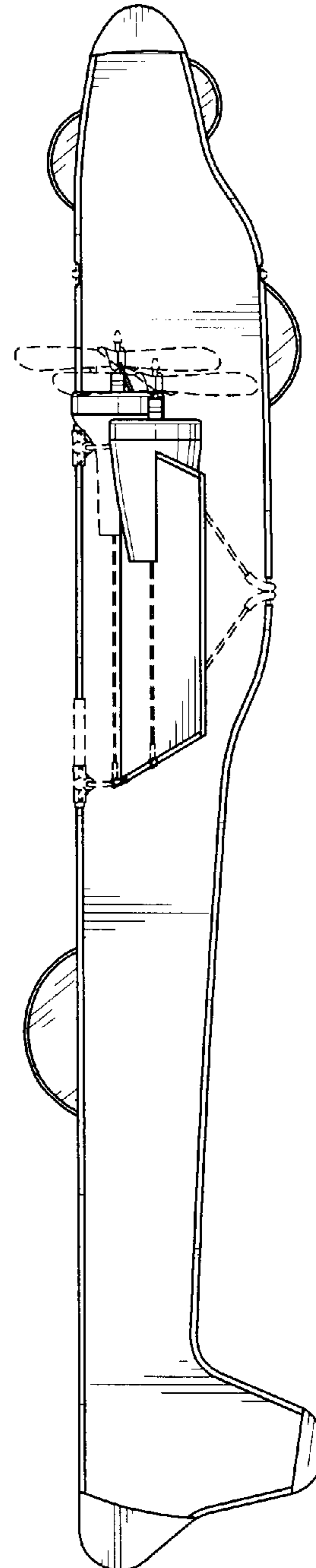
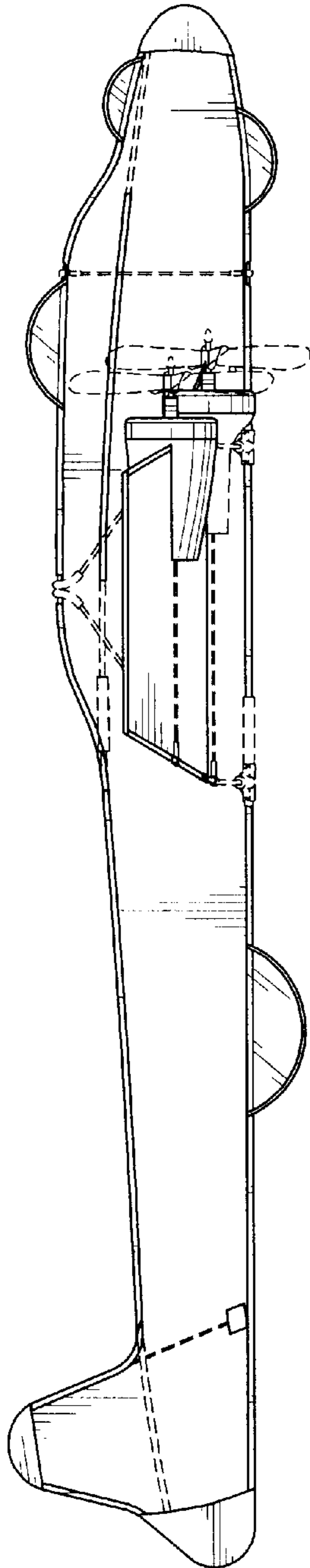


FIG. 7