



US00D492969S1

(12) **United States Design Patent**  
**Tabor**

(10) **Patent No.:** **US D492,969 S**

(45) **Date of Patent:** **\*\* Jul. 13, 2004**

(54) **PARROT KITE**

6,048,246 A \* 4/2000 Forti et al. .... 446/62

(76) Inventor: **Don Tabor**, 556 Florence St., Imperial Beach, CA (US) 91932

\* cited by examiner

(\*\*) Term: **14 Years**

*Primary Examiner*—Philip S. Hyder

*Assistant Examiner*—C. Tuttle

(21) Appl. No.: **29/167,157**

(74) *Attorney, Agent, or Firm*—Cislo & Thomas, LLP

(22) Filed: **Sep. 9, 2002**

(57) **CLAIM**

The ornamental design for a parrot kite, as shown and described herein.

(51) **LOC (7) Cl.** ..... **21-01**

(52) **U.S. Cl.** ..... **D21/438; D21/445**

(58) **Field of Search** ..... D21/436, 438,  
D21/439, 445, 449; D11/141, 162, 173;  
446/34, 36, 61–68, 487, 490; 244/153 R,  
154, 155 R, 155 A

**DESCRIPTION**

FIG. 1. Is a perspective view of my parrot kite design;

FIG. 2. Is a top view thereof

FIG. 3. Is a bottom plan view thereof;

FIG. 4. Is a front view thereof;

FIG. 5. Is a rear view thereof with the tail portions omitted for a clear disclosure of the underlying end configuration; and,

FIG. 6. Is a right side view thereof, the left side view being identical thereto.

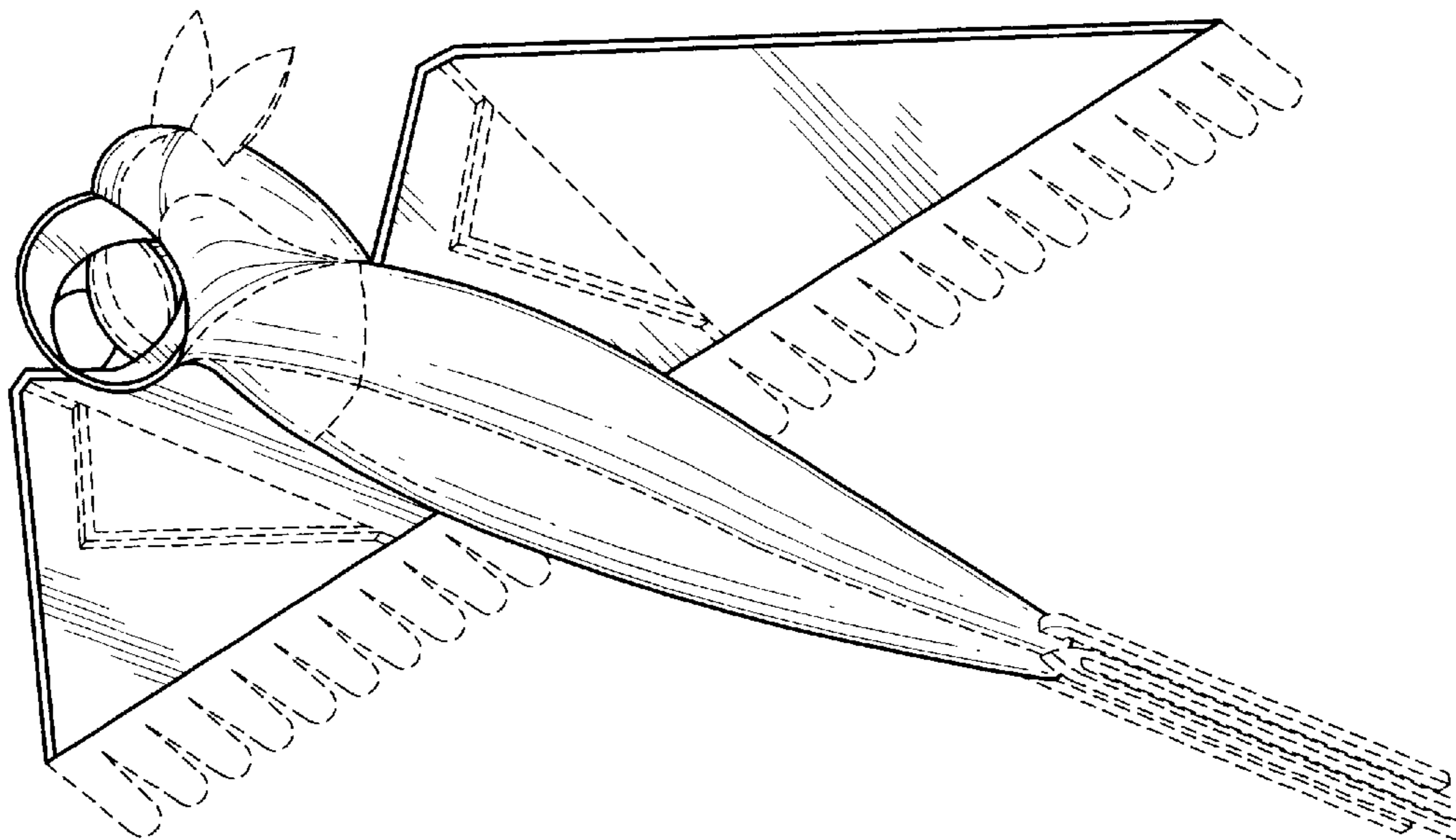
The elements shown in broken lines showing are for illustrative purposes only and forms no part of the claimed design.

(56) **References Cited**

**U.S. PATENT DOCUMENTS**

743,301 A	*	11/1903	Lischiak	.....	244/153 R
2,762,590 A	*	9/1956	Huie	.....	244/153 R
3,787,998 A	*	1/1974	Kilroy, Jr. et al.	.....	446/61
4,813,637 A	*	3/1989	Bondestam	.....	244/153 R
4,911,384 A	*	3/1990	Stankas	.....	244/153 R
4,958,787 A	*	9/1990	Sterling	.....	244/153 R
D362,497 S	*	9/1995	Clayton	.....	D23/367

**1 Claim, 5 Drawing Sheets**



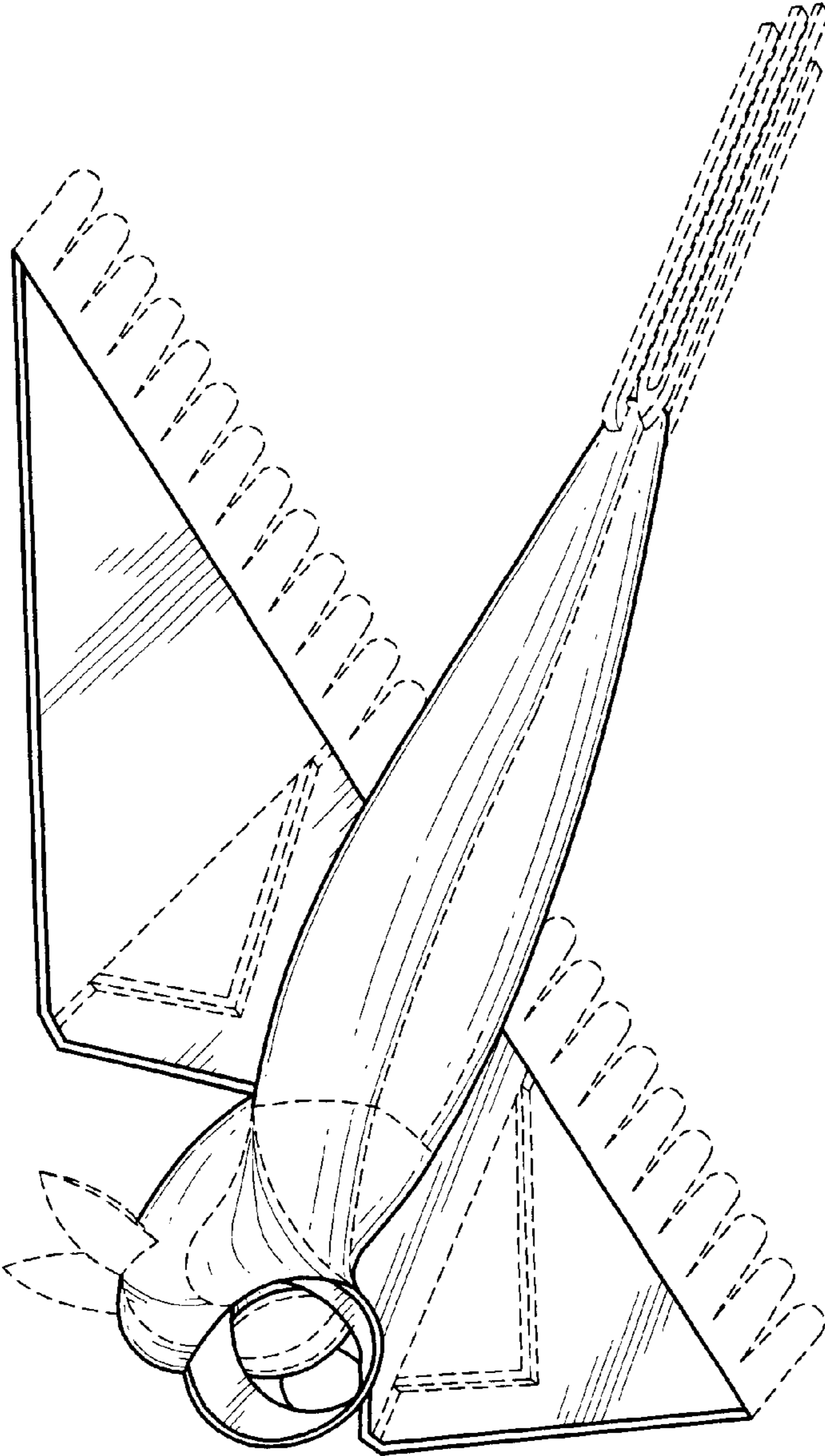


FIG. 1

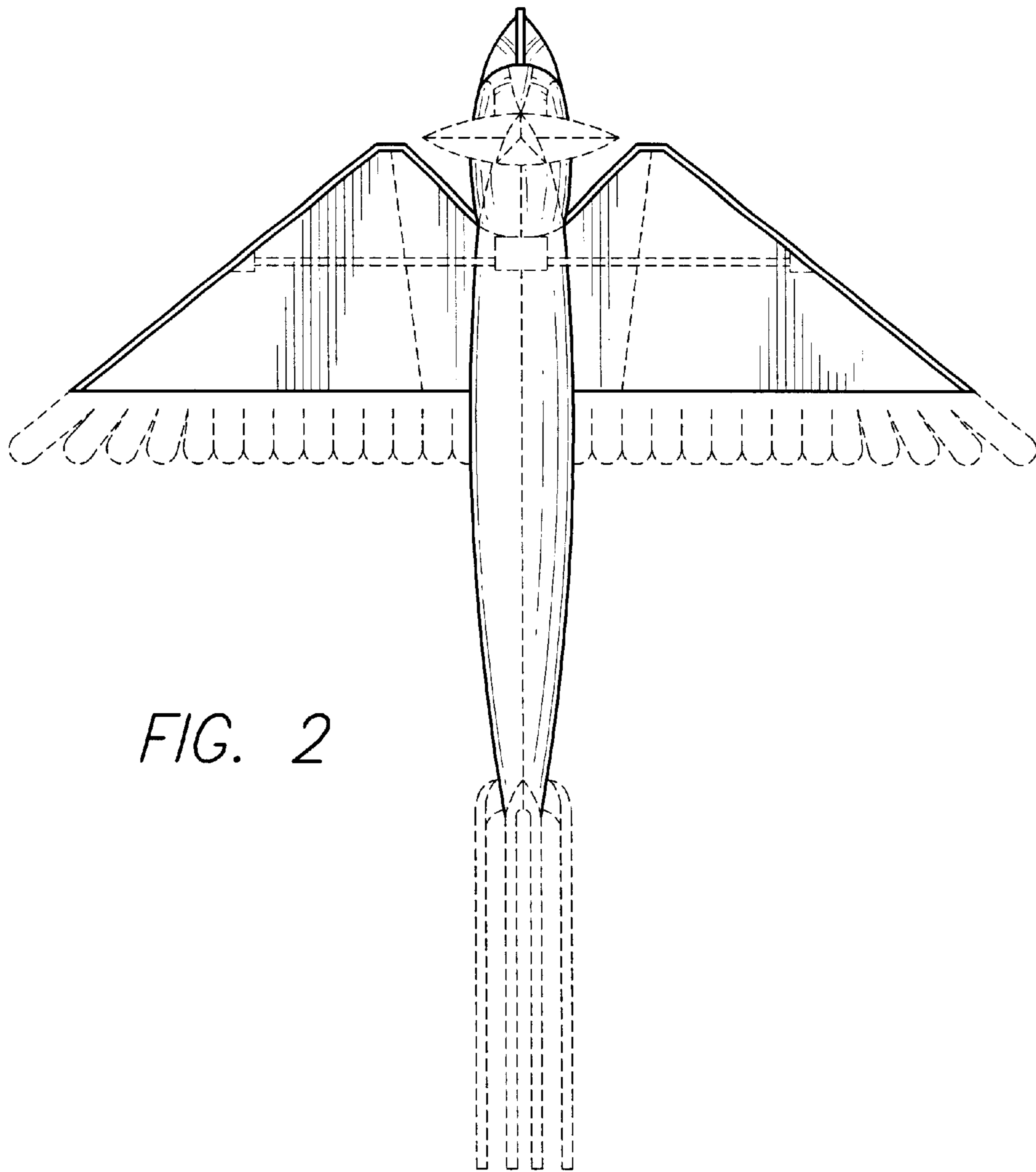


FIG. 2

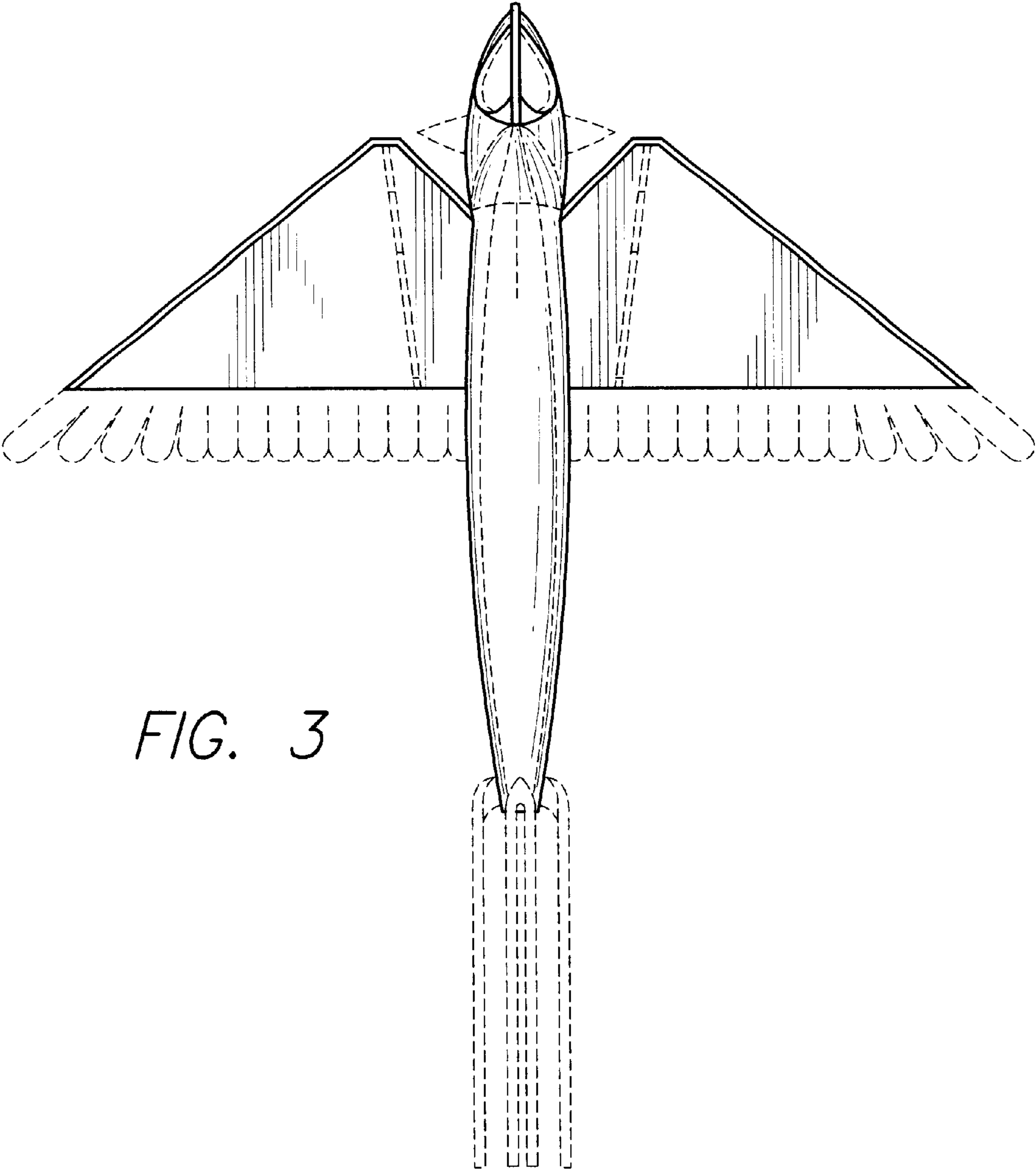


FIG. 3

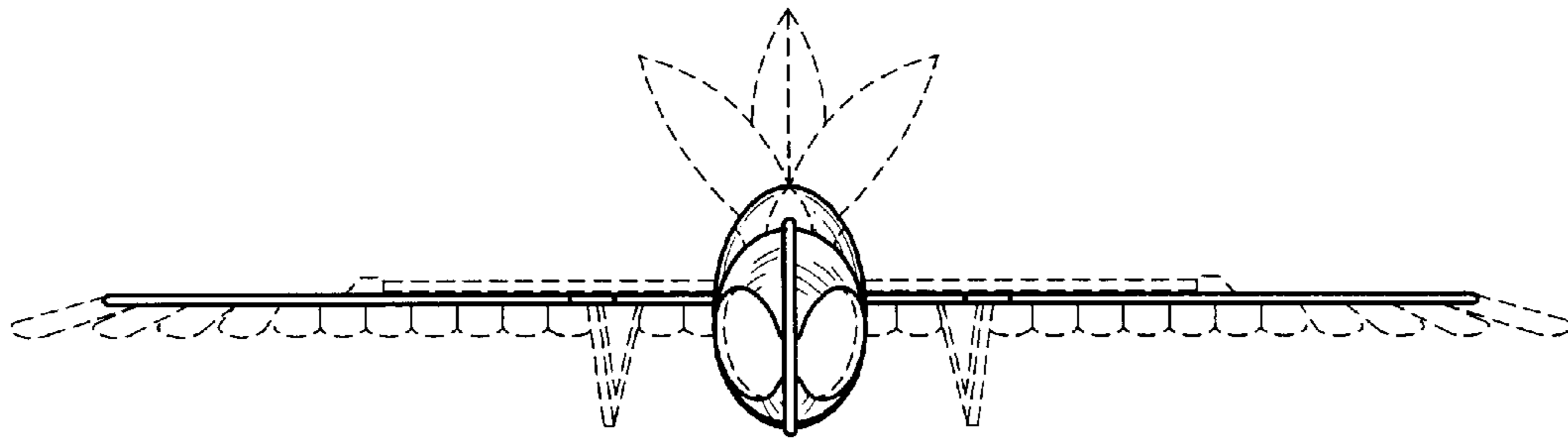


FIG. 4

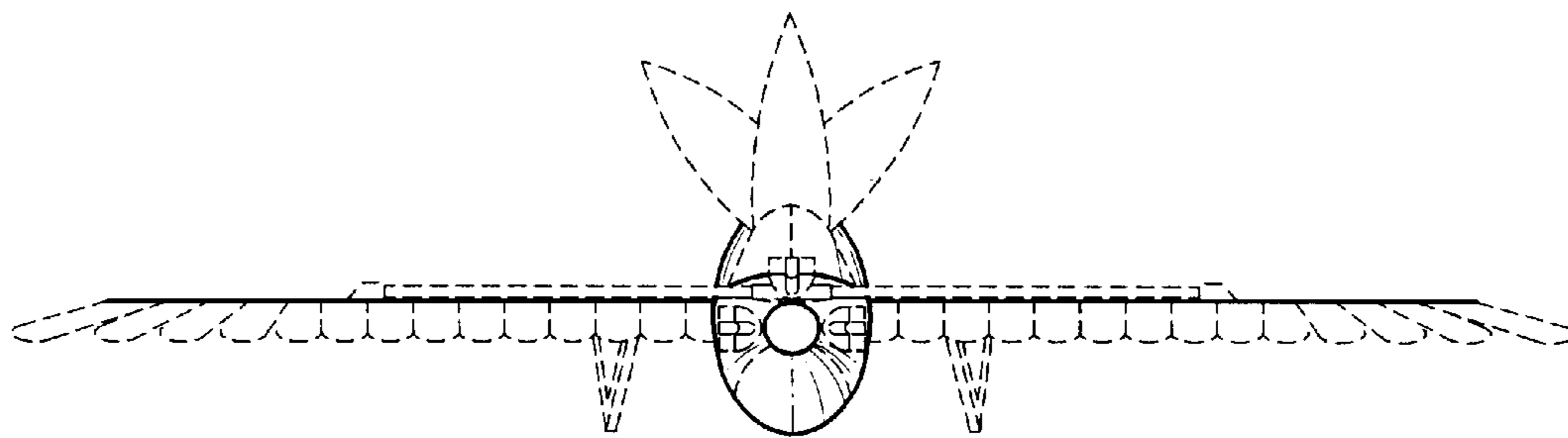


FIG. 5

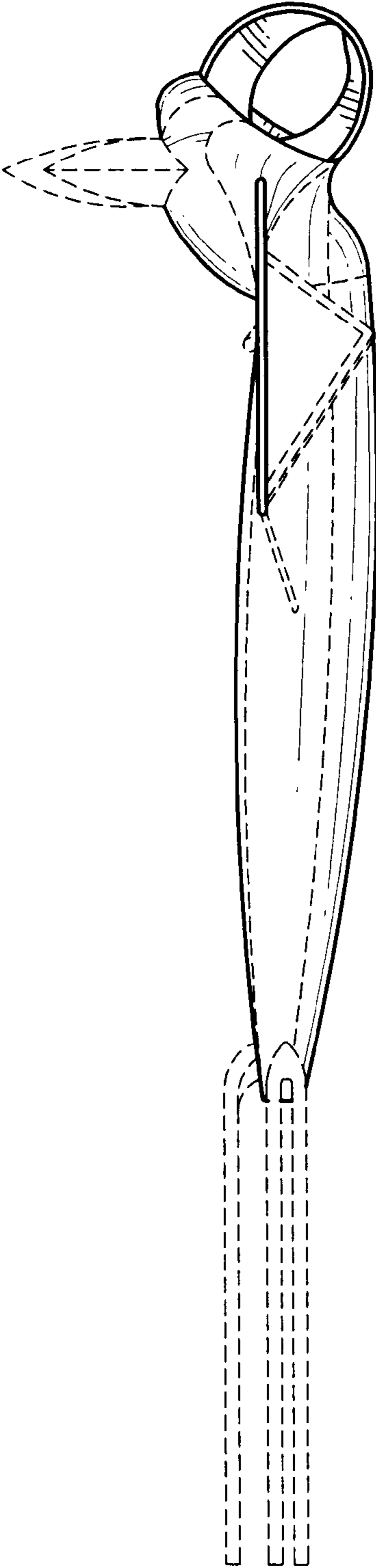


FIG. 6