

US00D492968S1

(12) **United States Design Patent**
Seelig et al.

(10) **Patent No.:** **US D492,968 S**
(45) **Date of Patent:** **** Jul. 13, 2004**

(54) **GAMING DEVICE DISPLAY**
(75) **Inventors:** **Jerald C. Seelig**, Pleasantville, NJ
(US); **Lawrence M. Henshaw**,
Pleasantville, NJ (US)

D448,050 S * 9/2001 Humphrey D20/7
D462,399 S * 9/2002 Seelig et al. D21/370
D463,506 S * 9/2002 Seelig et al. D21/370
6,582,307 B2 * 6/2003 Webb 463/20

* cited by examiner

(73) **Assignee:** **Atlantic City Coin & Slot Service
Company, Inc.**, Pleasantville, NJ (US)

Primary Examiner—Sandra L. Morris
(74) *Attorney, Agent, or Firm*—Ian F. Burns & Associates;
Ian F. Burns

(**) **Term:** **14 Years**

(57) **CLAIM**

(21) **Appl. No.:** **29/182,170**

The ornamental design for a gaming device display, as
shown and described.

(22) **Filed:** **May 20, 2003**

(51) **LOC (7) Cl.** **21-03**

(52) **U.S. Cl.** **D21/370**

(58) **Field of Search** D21/325, 329,
D21/369–371, 374, 385; D20/1, 7; 273/138.1;
463/16–17, 20, 46–47

DESCRIPTION

FIG. 1 is substantially a perspective view of the gaming
device display.

FIG. 2 is substantially a front elevational view of the gaming
device display shown in FIG. 1.

FIG. 3 is substantially a right side view of the gaming device
display shown in FIG. 1; and,

FIG. 4 is substantially a left side view of the gaming device
display shown in FIG. 1.

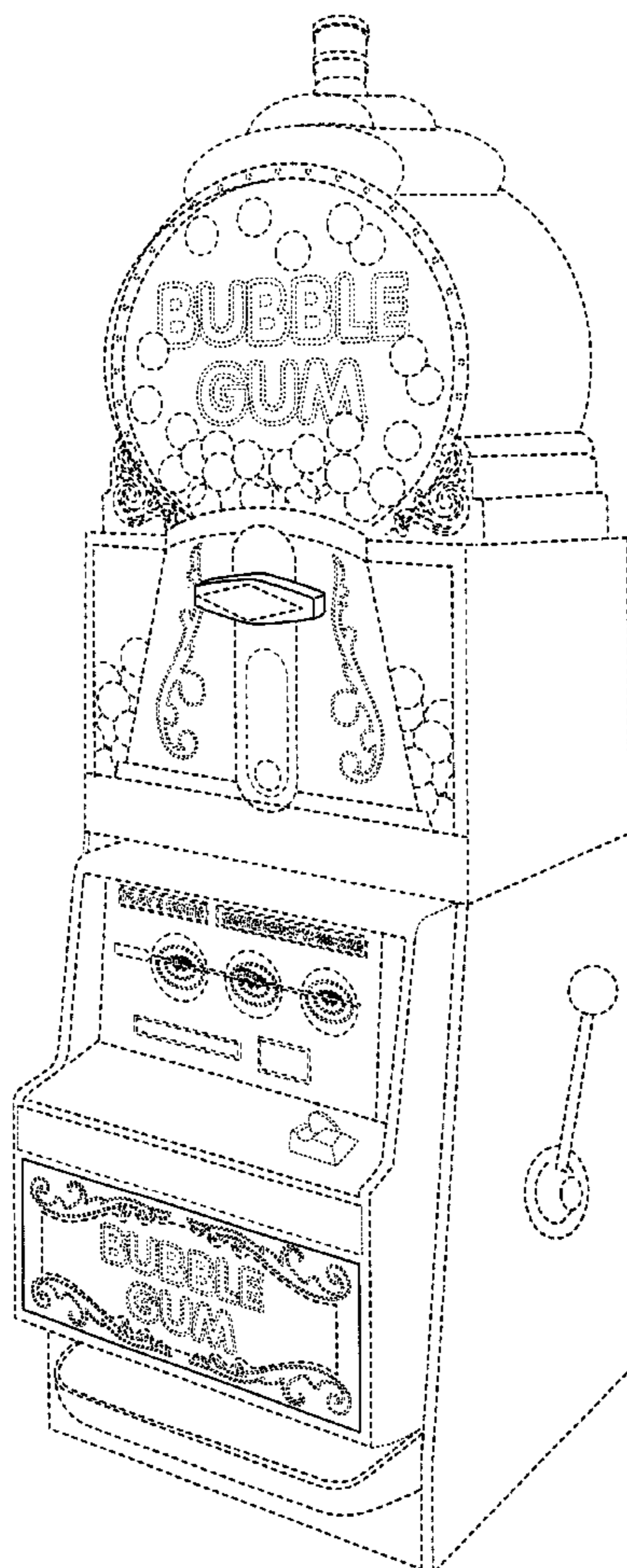
Broken lines illustrate features or environmental compo-
nents that are not part of the design sought to be patented.

(56) **References Cited**

U.S. PATENT DOCUMENTS

3,077,254 A * 2/1963 Goldfarb D20/7
D370,236 S * 5/1996 Stockman D20/7
D407,442 S * 3/1999 Thai D20/7
D446,817 S * 8/2001 Grill D20/7

1 Claim, 4 Drawing Sheets



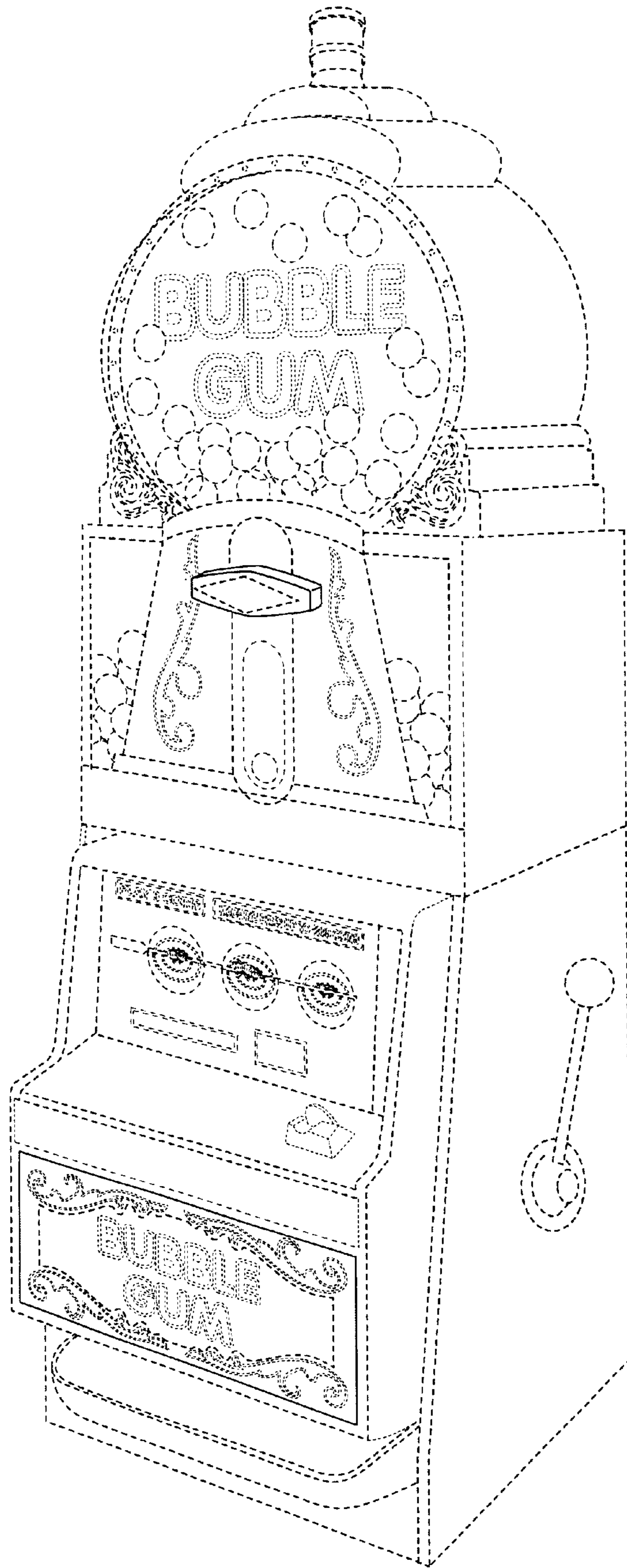


FIG. 1.

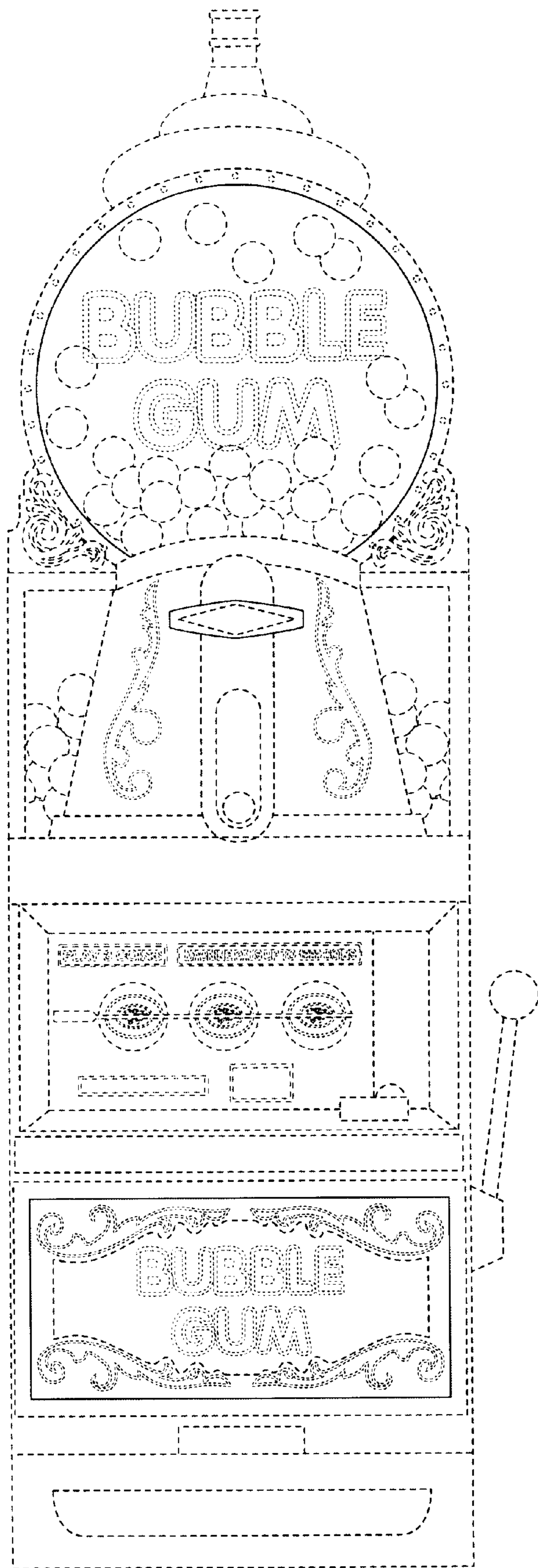


FIG. 2.

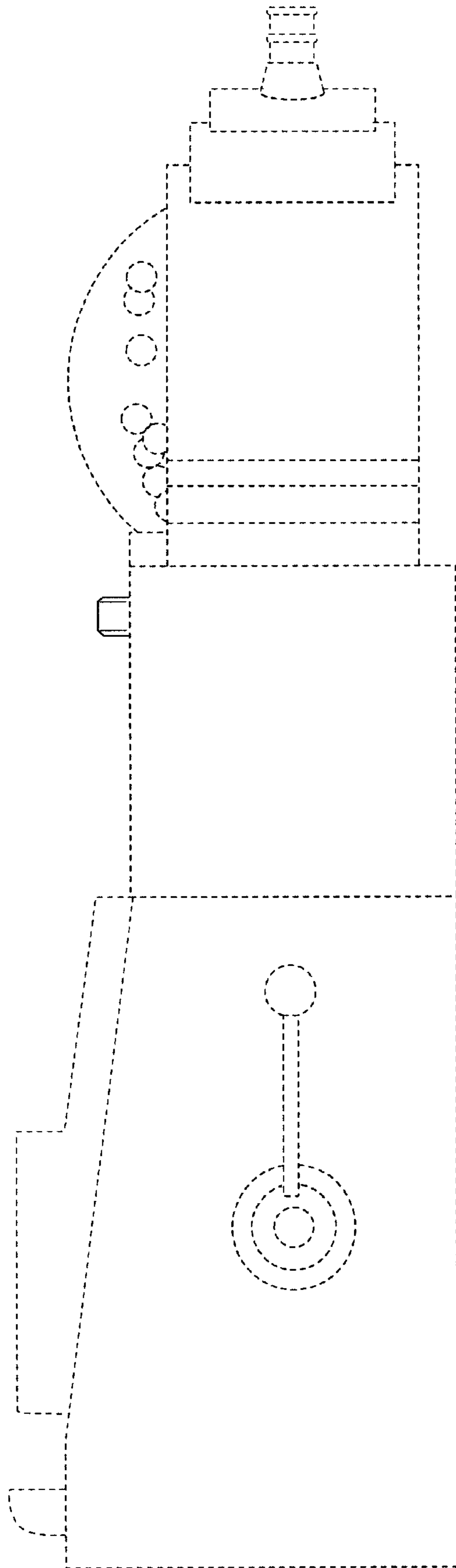


FIG. 3.

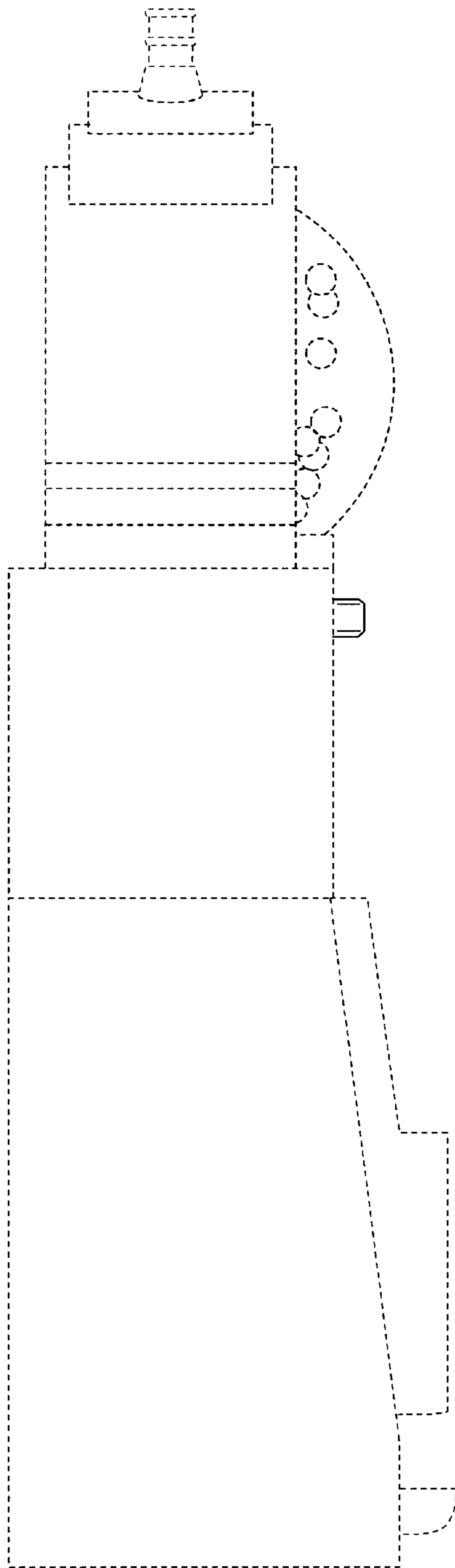


FIG. 4.