

US00D492966S1

(12) **United States Design Patent**
Serrault et al.

(10) **Patent No.:** **US D492,966 S**
(45) **Date of Patent:** **** Jul. 13, 2004**

(54) **ARCH DOCUMENT TRAY**

D478,631 S * 8/2003 Serrault et al. D19/85

(75) Inventors: **Jayson Serrault**, Middleton, WI (US);
Gil Gaska, Madison, WI (US)

(73) Assignee: **Berol Corporation**, Freeport, IL (US)

(**) Term: **14 Years**

(21) Appl. No.: **29/147,662**

(22) Filed: **Aug. 31, 2001**

(51) **LOC (7) Cl.** **19-02**

(52) **U.S. Cl.** **D19/92; D19/86**

(58) **Field of Search** D19/35, 36, 65,
D19/75, 76, 78, 86, 91, 92, 95, 99, 100;
D6/475; 206/215, 225, 555, 557; 211/10,
11, 13.1, 50, 126.13

(56) **References Cited**

U.S. PATENT DOCUMENTS

1,688,407 A	10/1928	Wastak	
1,772,606 A *	8/1930	Jones	248/473
D191,133 S	8/1961	Marx, Sr.	
3,589,523 A *	6/1971	Belden	211/51
D232,334 S *	8/1974	Neilsen	D19/76
D251,251 S	3/1979	Tiedemann	
4,253,402 A	3/1981	Carrig et al.	
D266,336 S *	9/1982	Leib, III	D19/76
D266,772 S	11/1982	Sayers	
D272,637 S	2/1984	Barbieri et al.	
D273,018 S	3/1984	Barbieri et al.	
D356,337 S *	3/1995	Douglas	D19/75
D362,572 S	9/1995	Joseph, Jr.	
D362,688 S *	9/1995	Wolff	D19/92
D414,209 S *	9/1999	Koehneke et al.	D19/76
D425,129 S	5/2000	Koehneke et al.	
D431,601 S *	10/2000	Koehneke et al.	D19/76
6,308,446 B1 *	10/2001	Healy	40/600
D472,071 S *	3/2003	Peota	D6/475

OTHER PUBLICATIONS

“Product & Price Guide”; Newell Office Products; ©2000 (Prices effective Apr. 1, 2000); M-991408; (front and back covers, pp. 4-30, 68-69, 77, and 81).

* cited by examiner

Primary Examiner—Martie K. Holtje

(74) *Attorney, Agent, or Firm*—Marshall, Gerstein & Borun LLP

(57) **CLAIM**

We claim the ornamental design for an arch document tray, as shown and described.

DESCRIPTION

FIG. 1 is a perspective view of one embodiment of an arch document tray;

FIG. 2 is a top view of the arch document tray shown in FIG. 1;

FIG. 3 is a front view of the arch document tray shown in FIG. 1;

FIG. 4 is a side view of the arch document tray shown in FIG. 1, the opposite side of the arch document tray being the same as that shown in FIG. 4;

FIG. 5 is a bottom view of the arch document tray shown in FIG. 1;

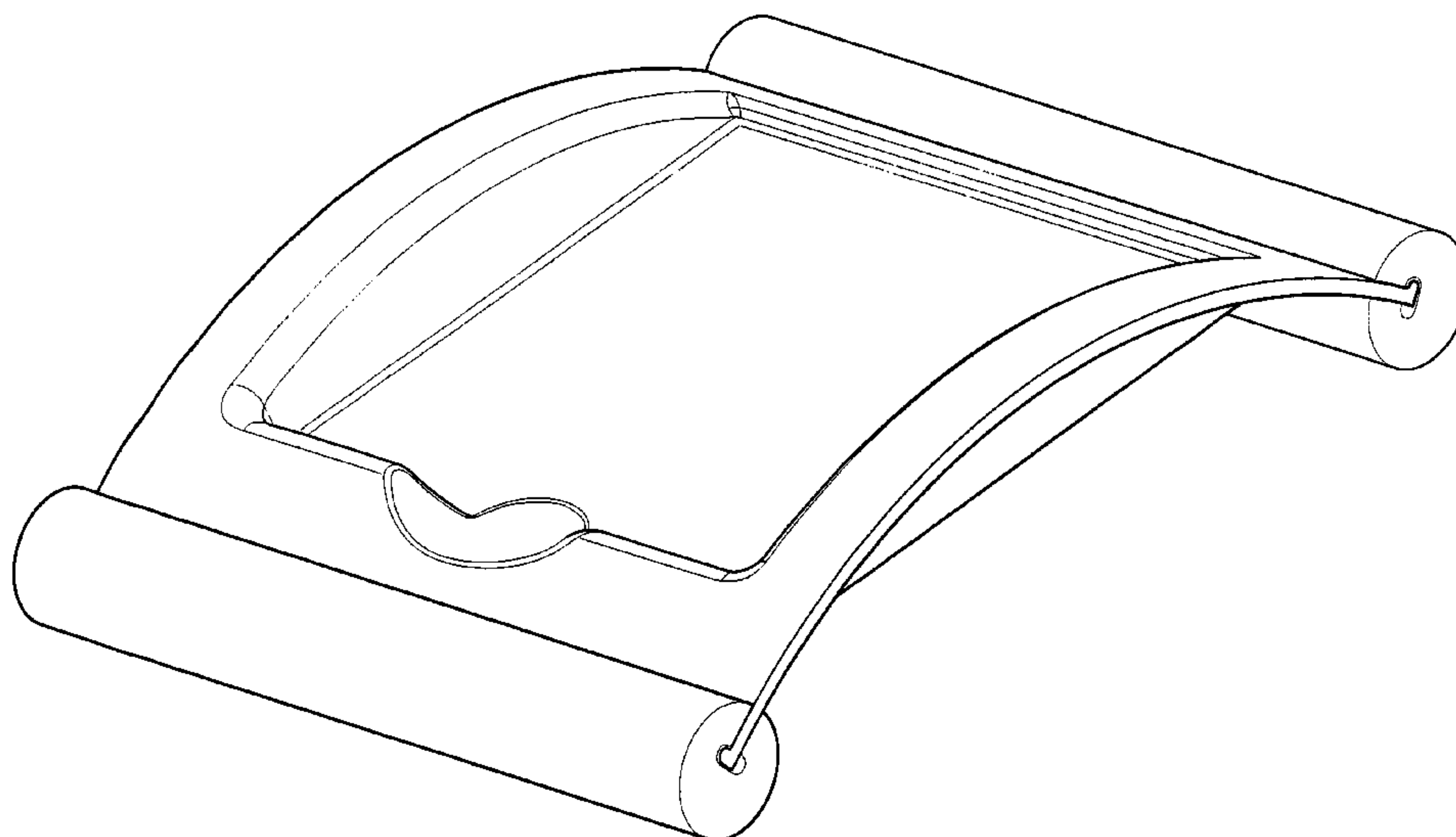
FIG. 6 is a perspective view of still another embodiment of the arch document tray;

FIG. 7 is a side view of the arch document tray shown in FIG. 6, the opposite side of the arch document tray being the same as that shown in FIG. 7;

FIG. 8 is a top view of the arch document tray shown in FIG. 6; and,

FIG. 9 is a front view of the arch document tray shown in FIG. 6.

1 Claim, 6 Drawing Sheets



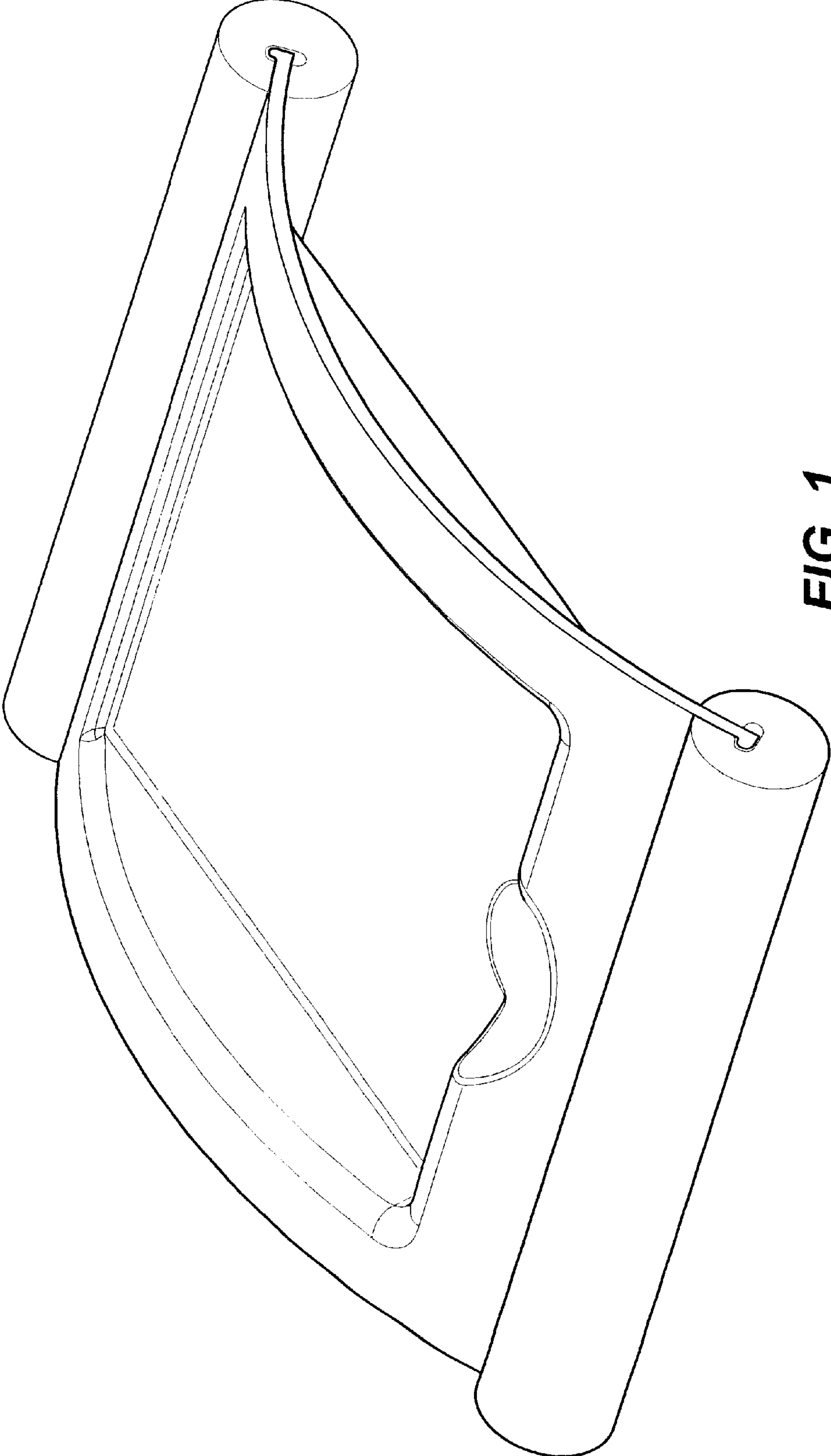


FIG. 1

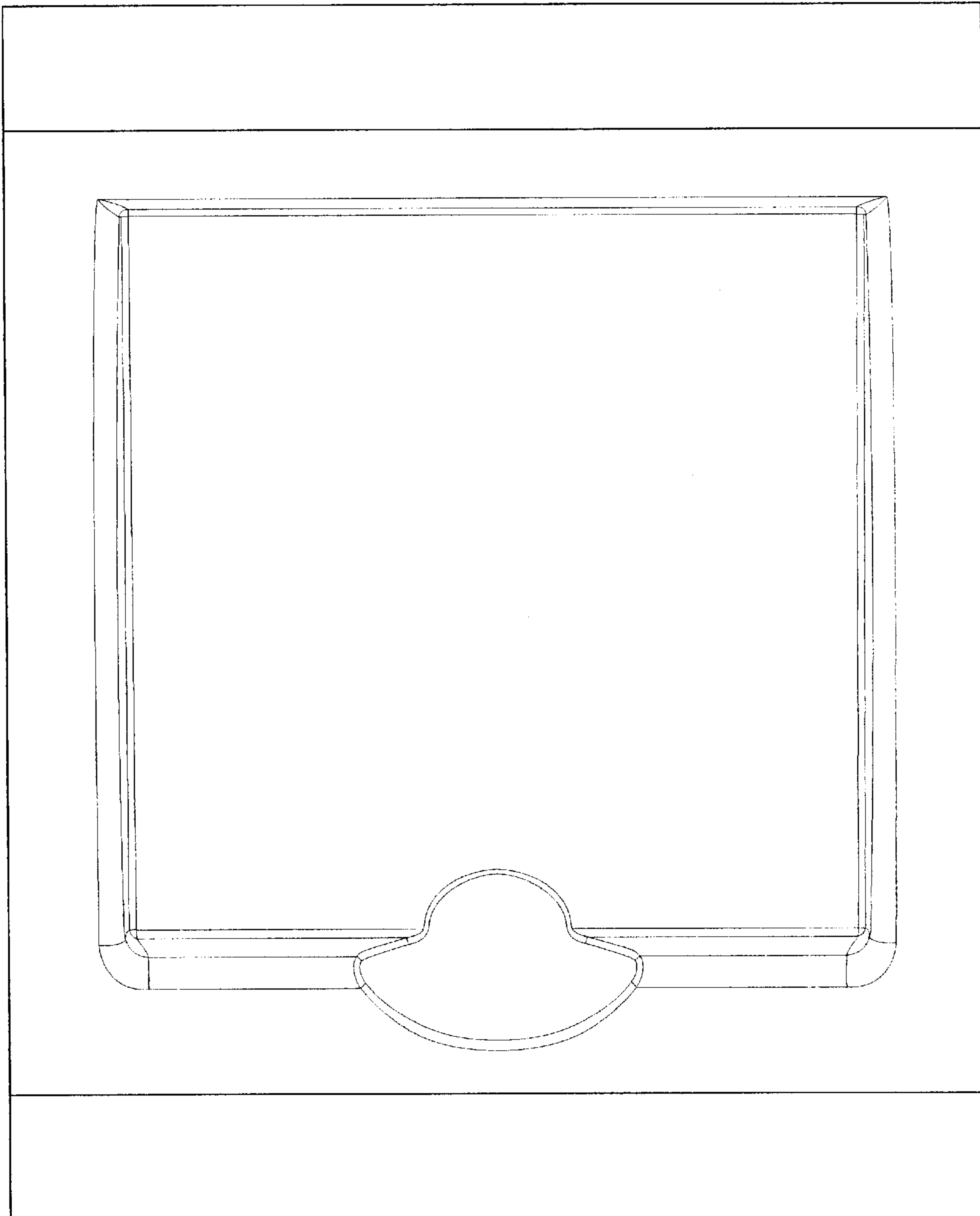


FIG. 2

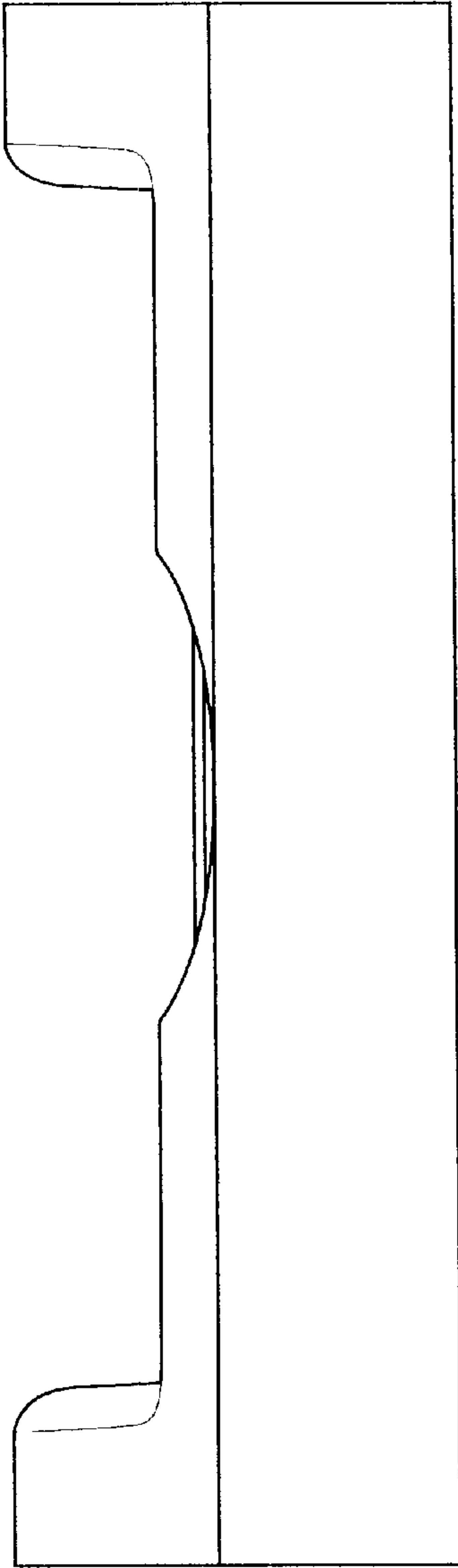


FIG. 3

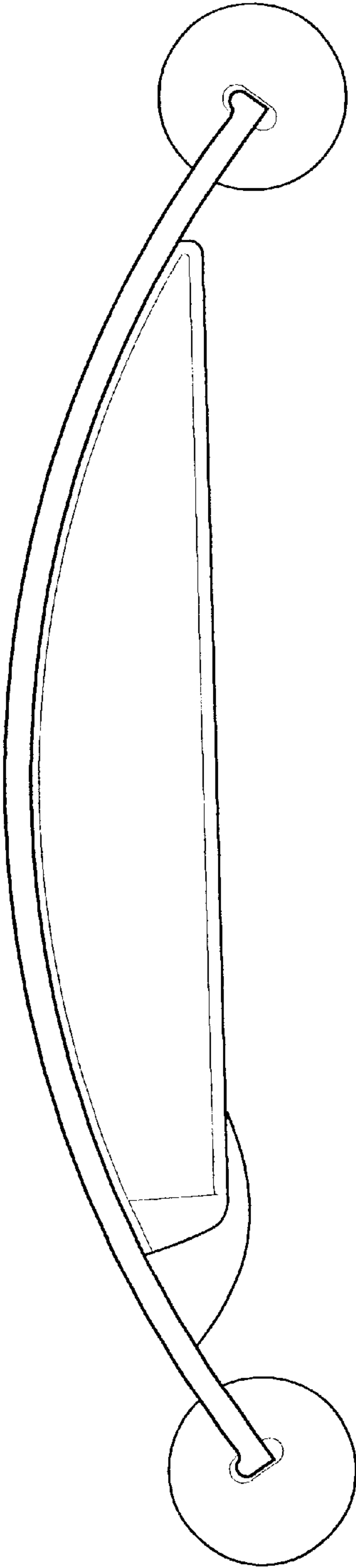


FIG. 4

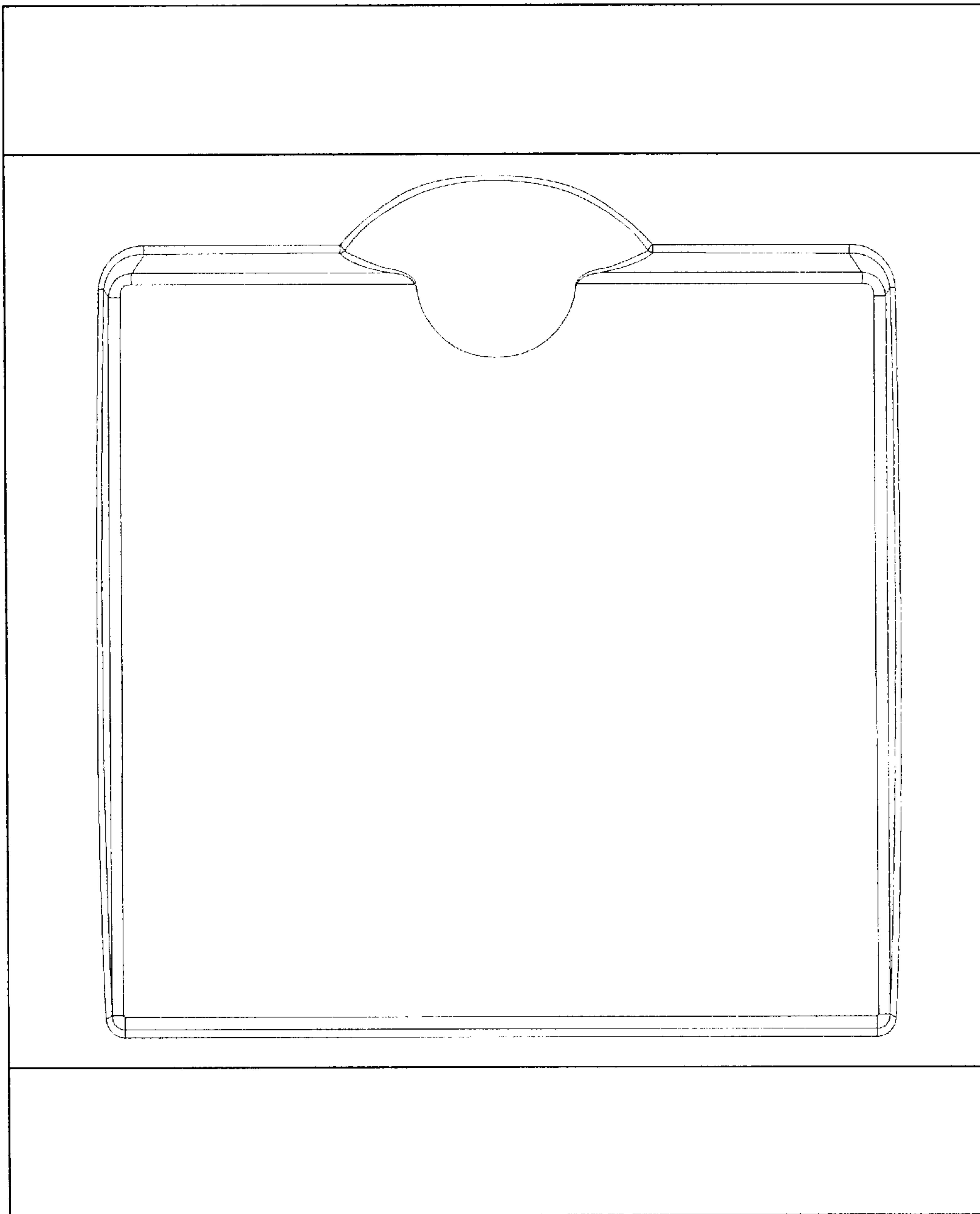


FIG. 5

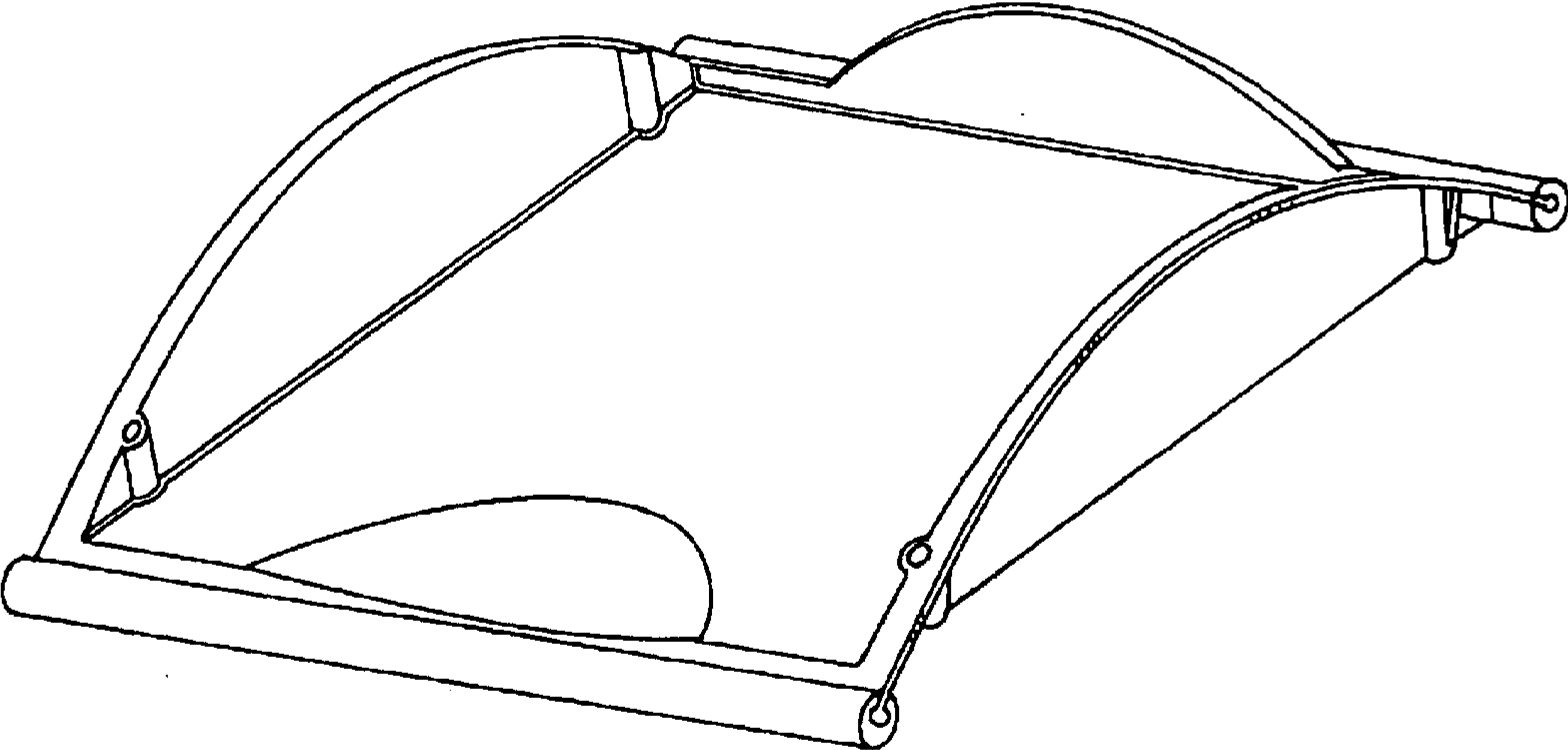


FIG. 6

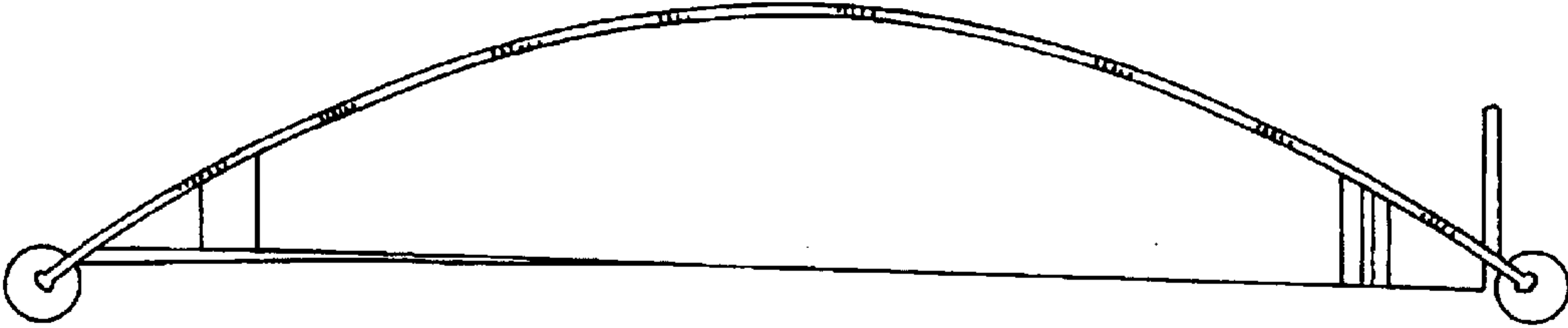


FIG. 7

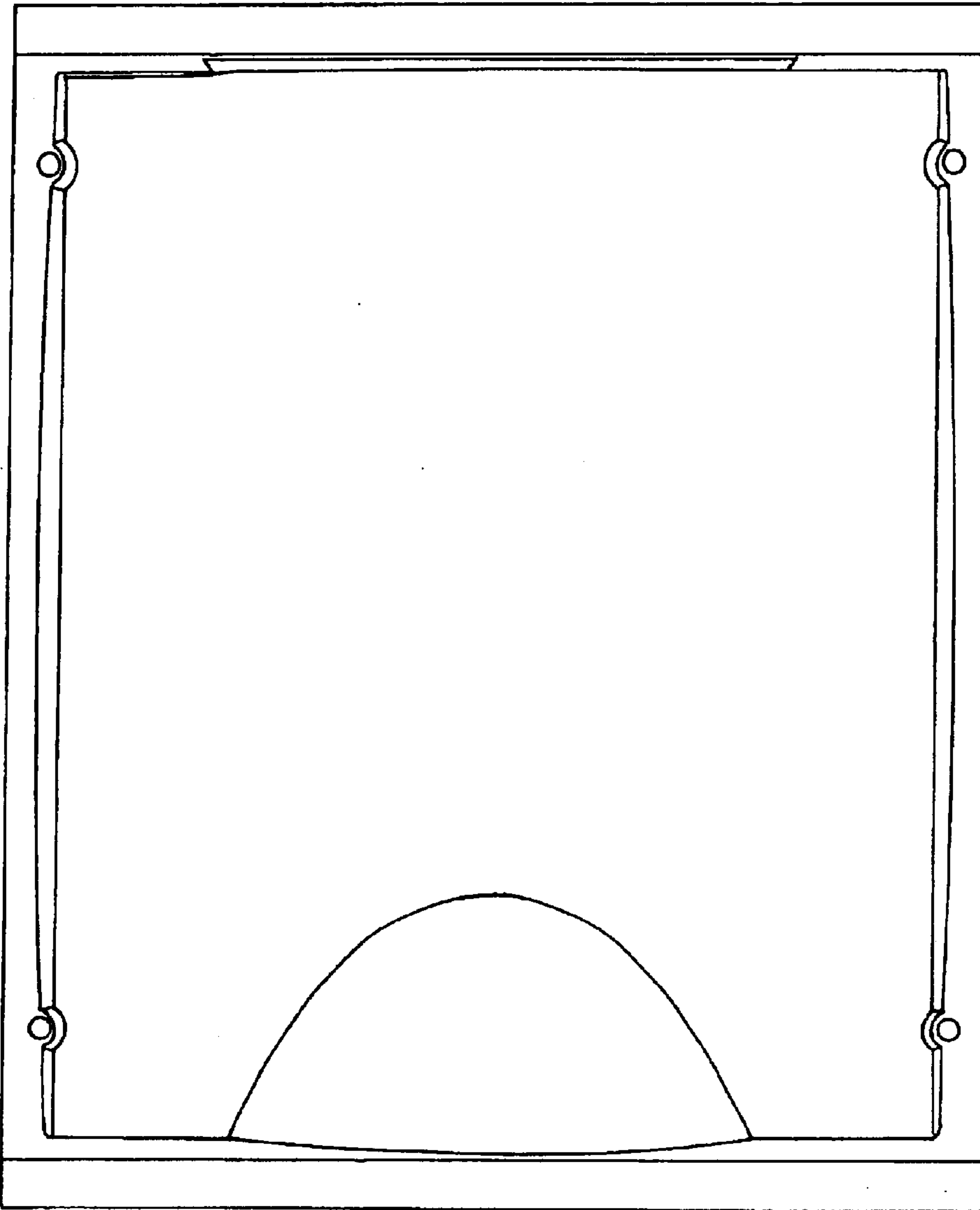


FIG. 8

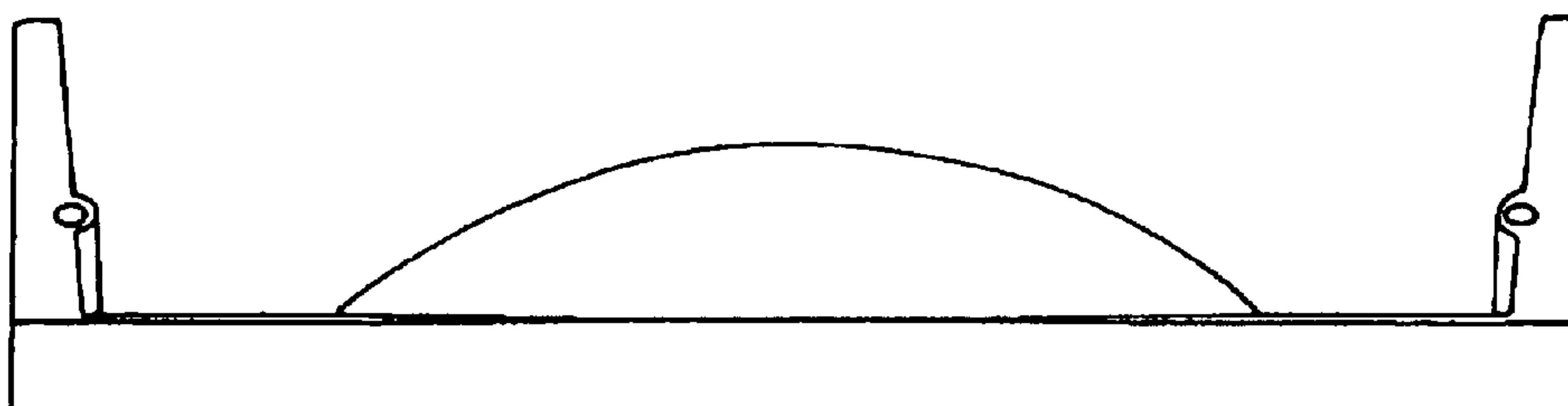


FIG. 9