



US00D492960S1

(12) **United States Design Patent**  
**Takizawa**

(10) **Patent No.:** **US D492,960 S**  
(45) **Date of Patent:** **\*\* Jul. 13, 2004**

(54) **COMPUTER PRINTER**

(75) **Inventor:** **Sakiko Takizawa, Tokyo (JP)**

(73) **Assignee:** **Canon Kabushiki Kaisha, Tokyo (JP)**

(\*\*) **Term:** **14 Years**

(21) **Appl. No.:** **29/173,929**

(22) **Filed:** **Jan. 9, 2003**

(30) **Foreign Application Priority Data**

Jul. 11, 2002 (JP) ..... 2002-018635

(51) **LOC (7) Cl.** ..... **14-02**

(52) **U.S. Cl.** ..... **D18/54**

(58) **Field of Search** ..... D18/50, 53, 54,  
D18/55, 36-39; D14/421-422, 425, 462-469,  
470, 371, 374-378, 380, 381; 400/613,  
613.1-613.4, 691-694, 690.1-690.4

(56) **References Cited**

**U.S. PATENT DOCUMENTS**

D386,515 S \* 11/1997 Sommerville et al. .... D18/50

D439,275 S \* 3/2001 Ohashi ..... D18/55  
D450,345 S \* 11/2001 Miyazaki ..... D18/50  
D466,920 S \* 12/2002 Kawahara et al. .... D18/50  
D475,052 S \* 5/2003 Chujou et al. .... D14/422

\* cited by examiner

*Primary Examiner*—Cathy Anne MacCormac

(74) *Attorney, Agent, or Firm*—Fitzpatrick, Cella, Harper & Scinto

(57) **CLAIM**

The ornamental design for a computer printer, as shown and described.

**DESCRIPTION**

FIG. 1 is a front view of a computer printer showing my new design;

FIG. 2 is a rear view thereof;

FIG. 3 is a top plan view thereof;

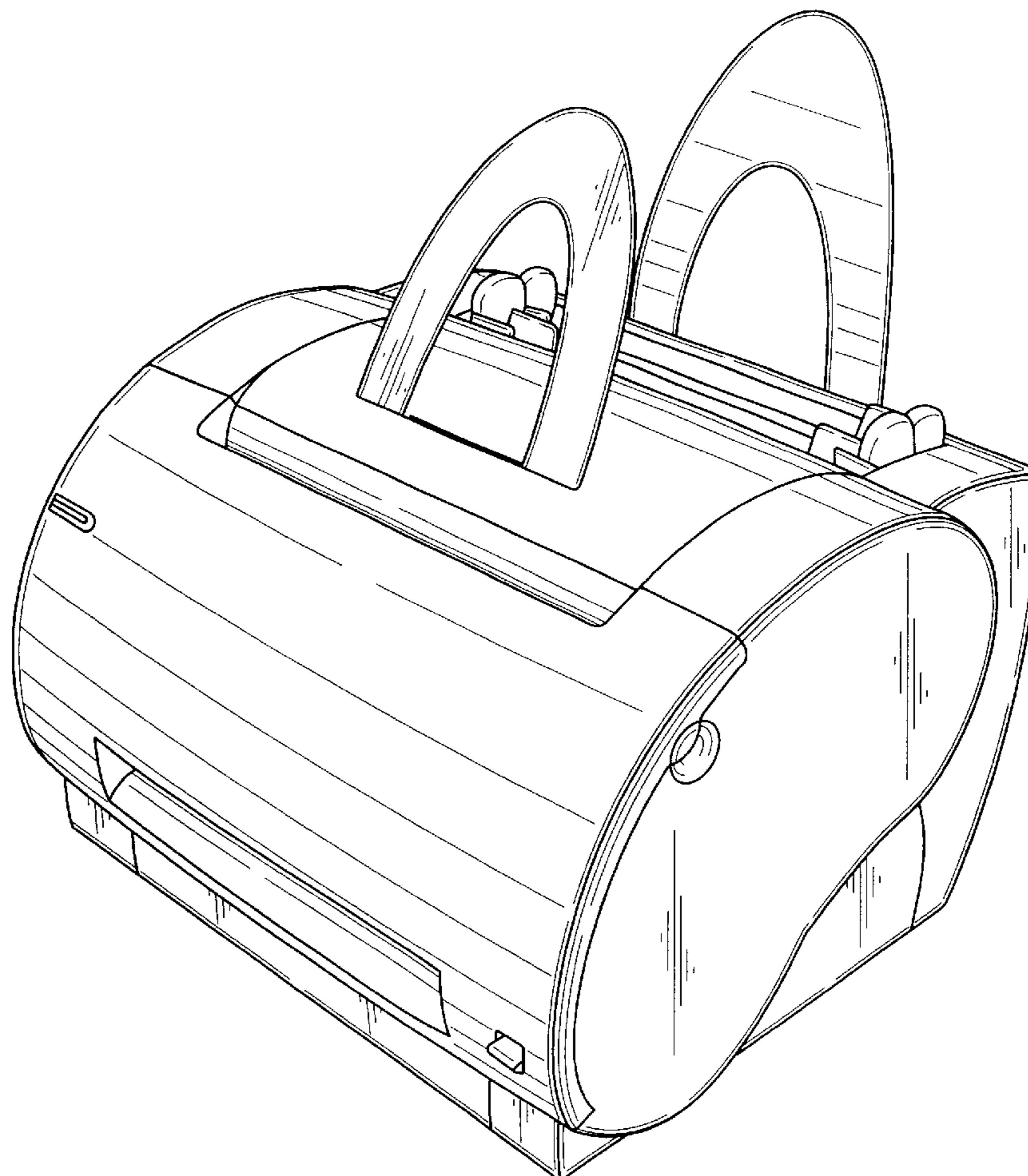
FIG. 4 is a bottom plan view thereof;

FIG. 5 is a left side view thereof;

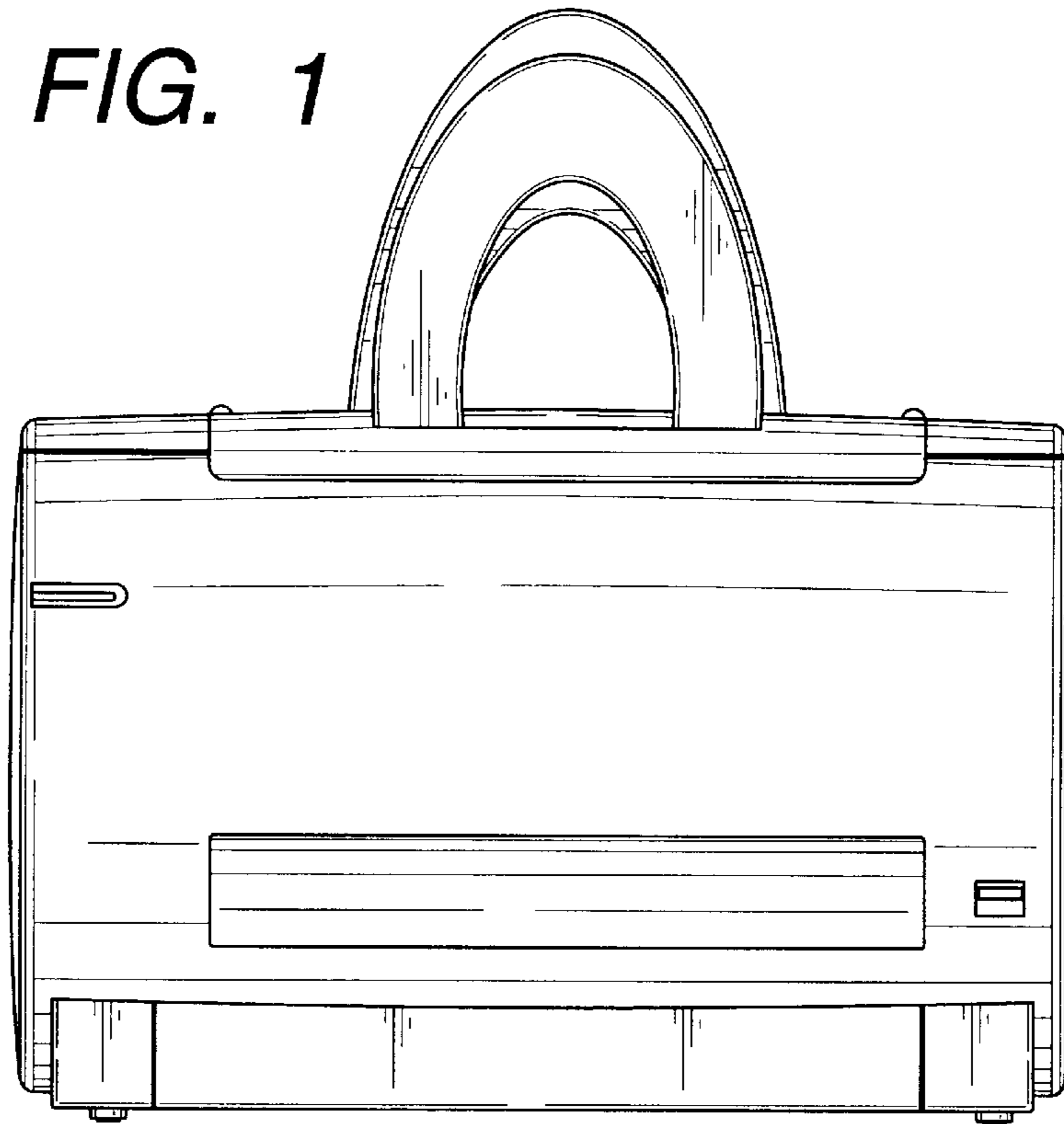
FIG. 6 is a right side view thereof; and,

FIG. 7 is a perspective view thereof.

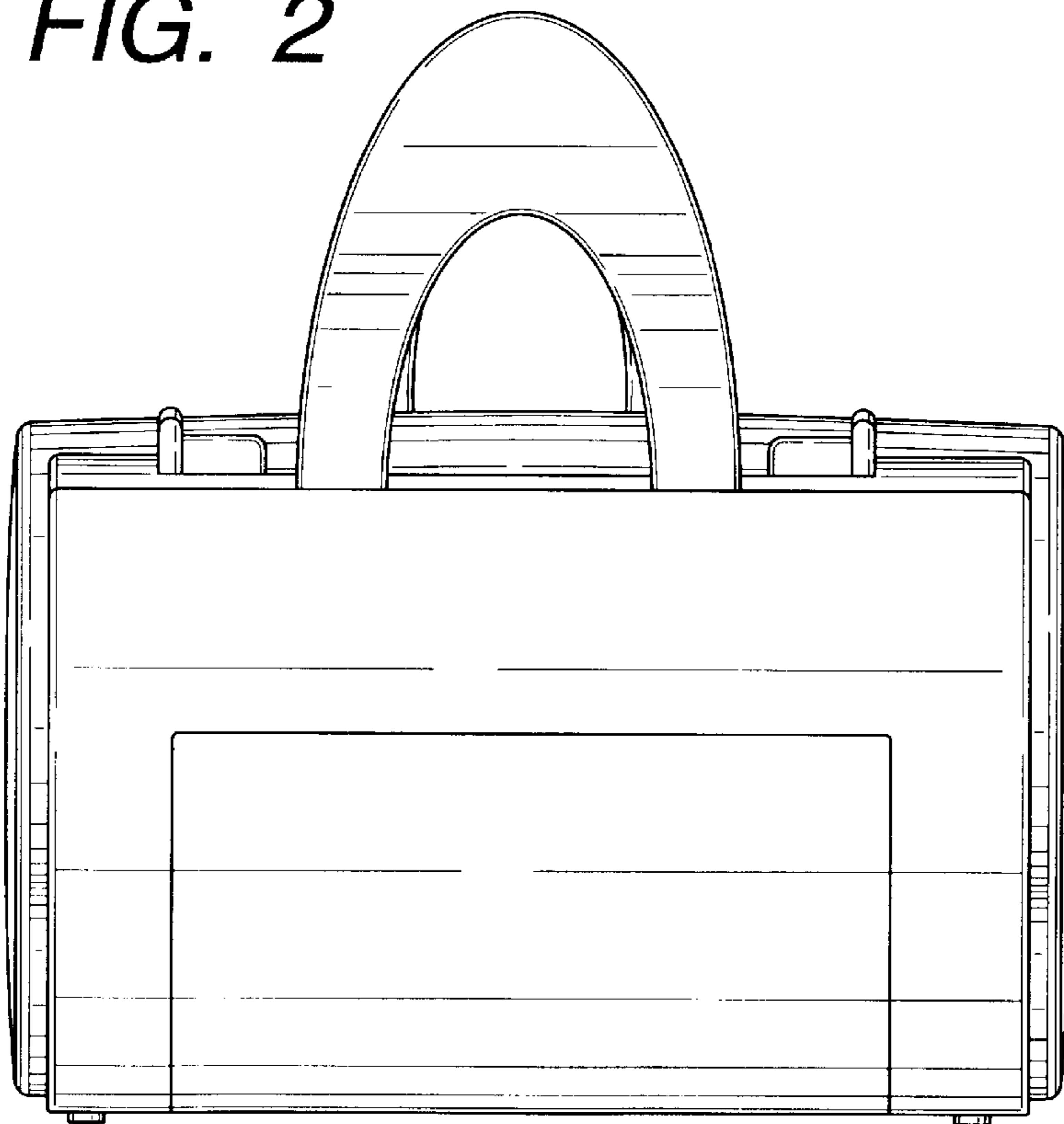
**1 Claim, 4 Drawing Sheets**



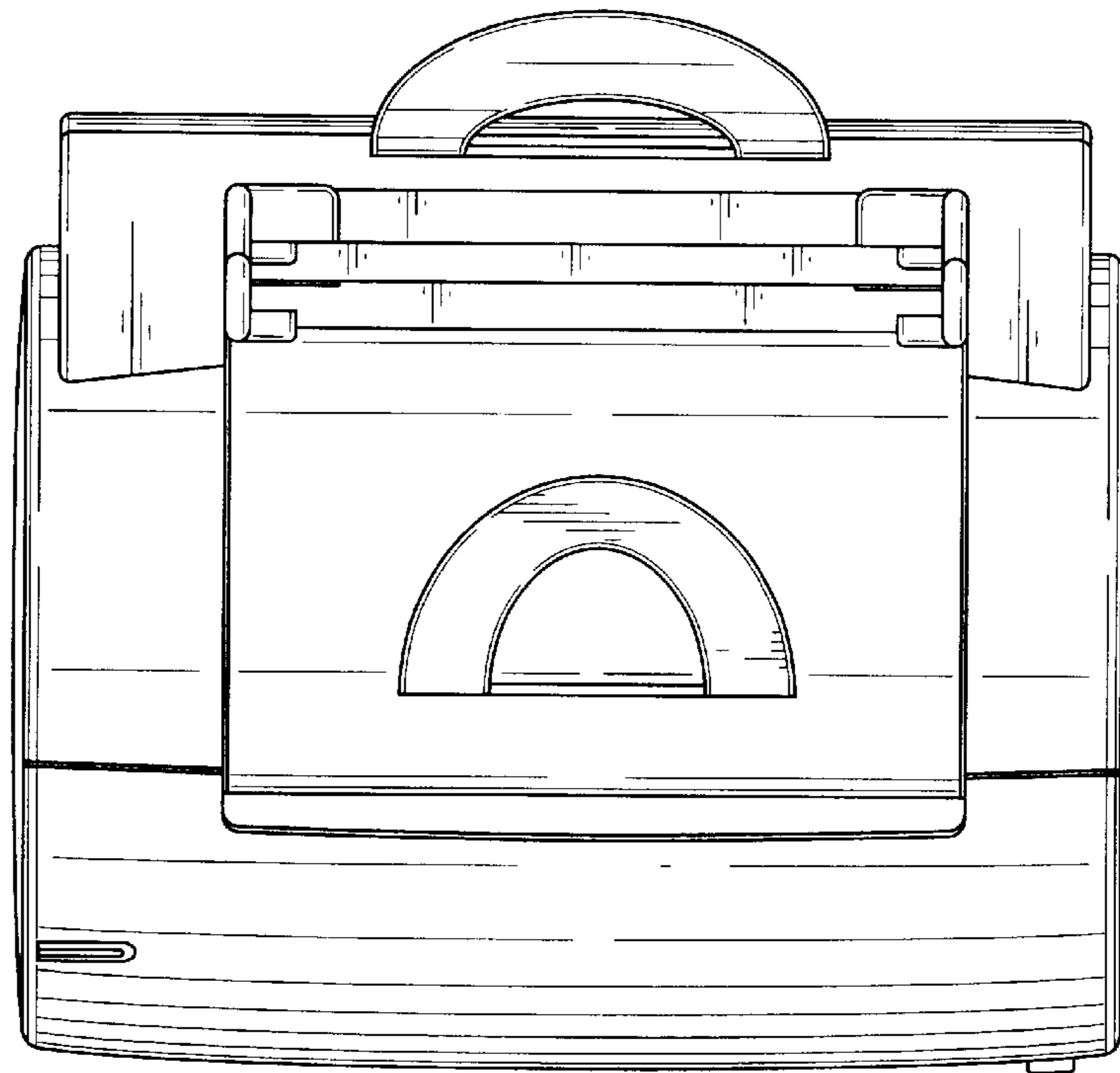
*FIG. 1*



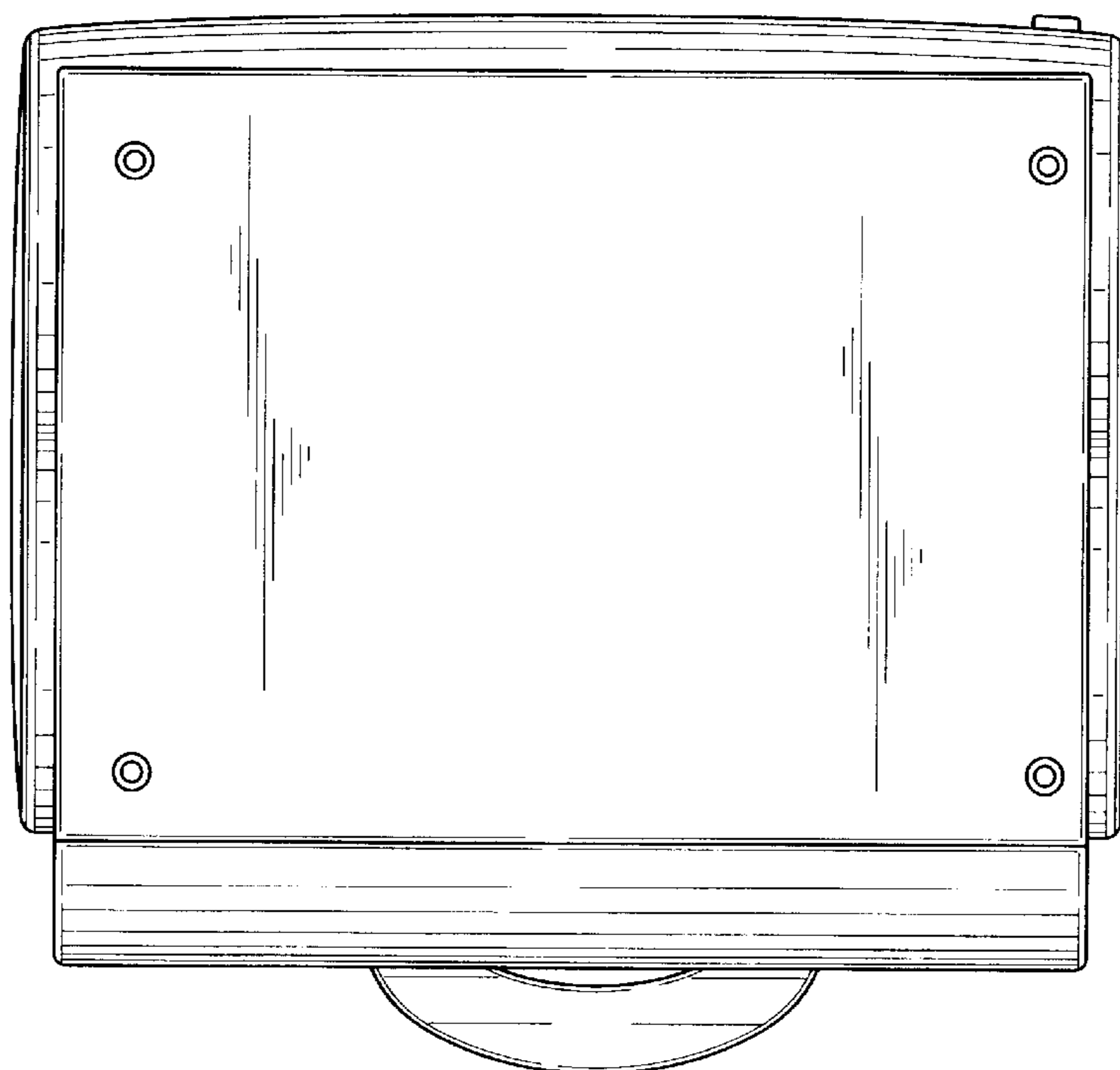
*FIG. 2*



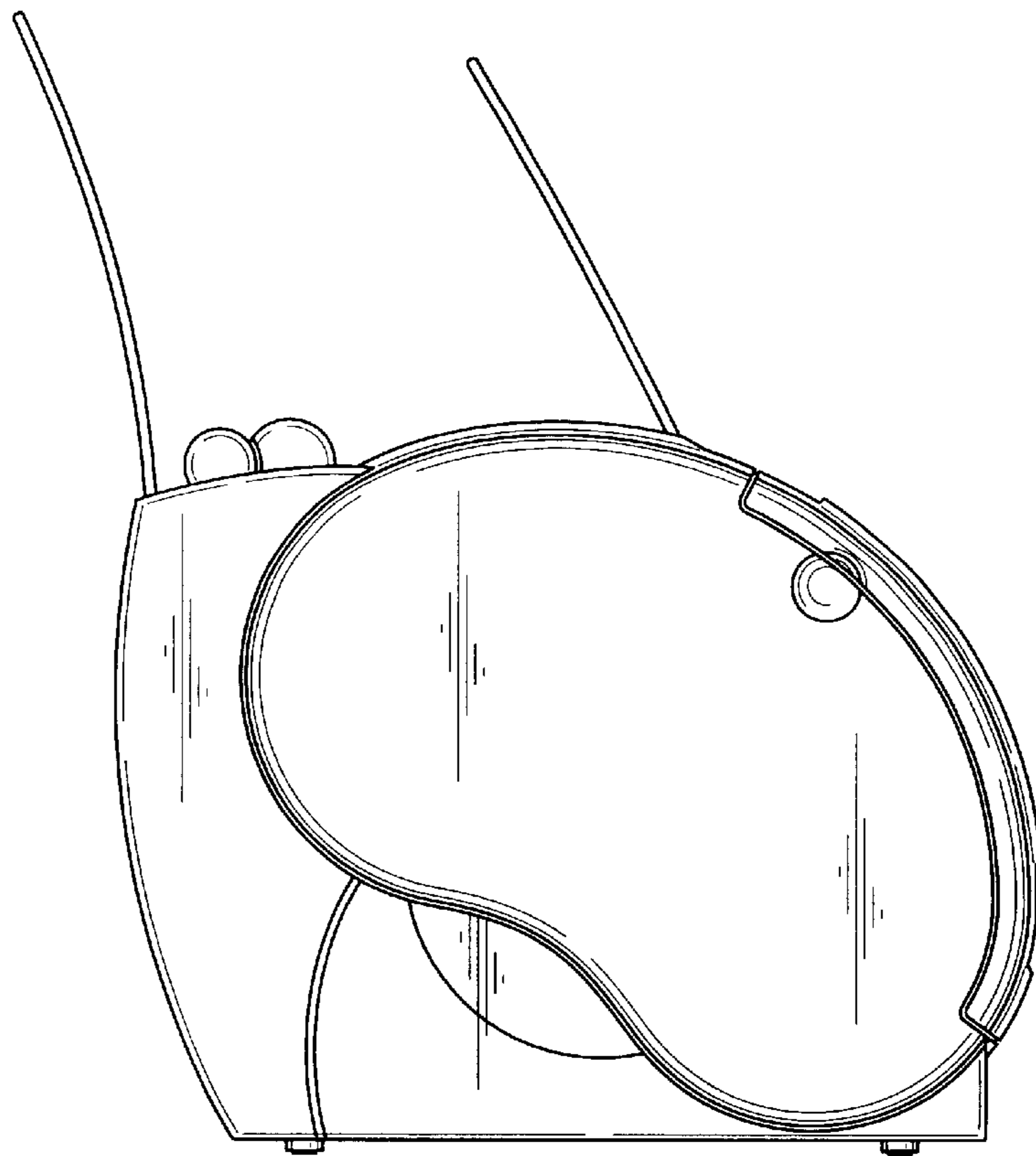
*FIG. 3*



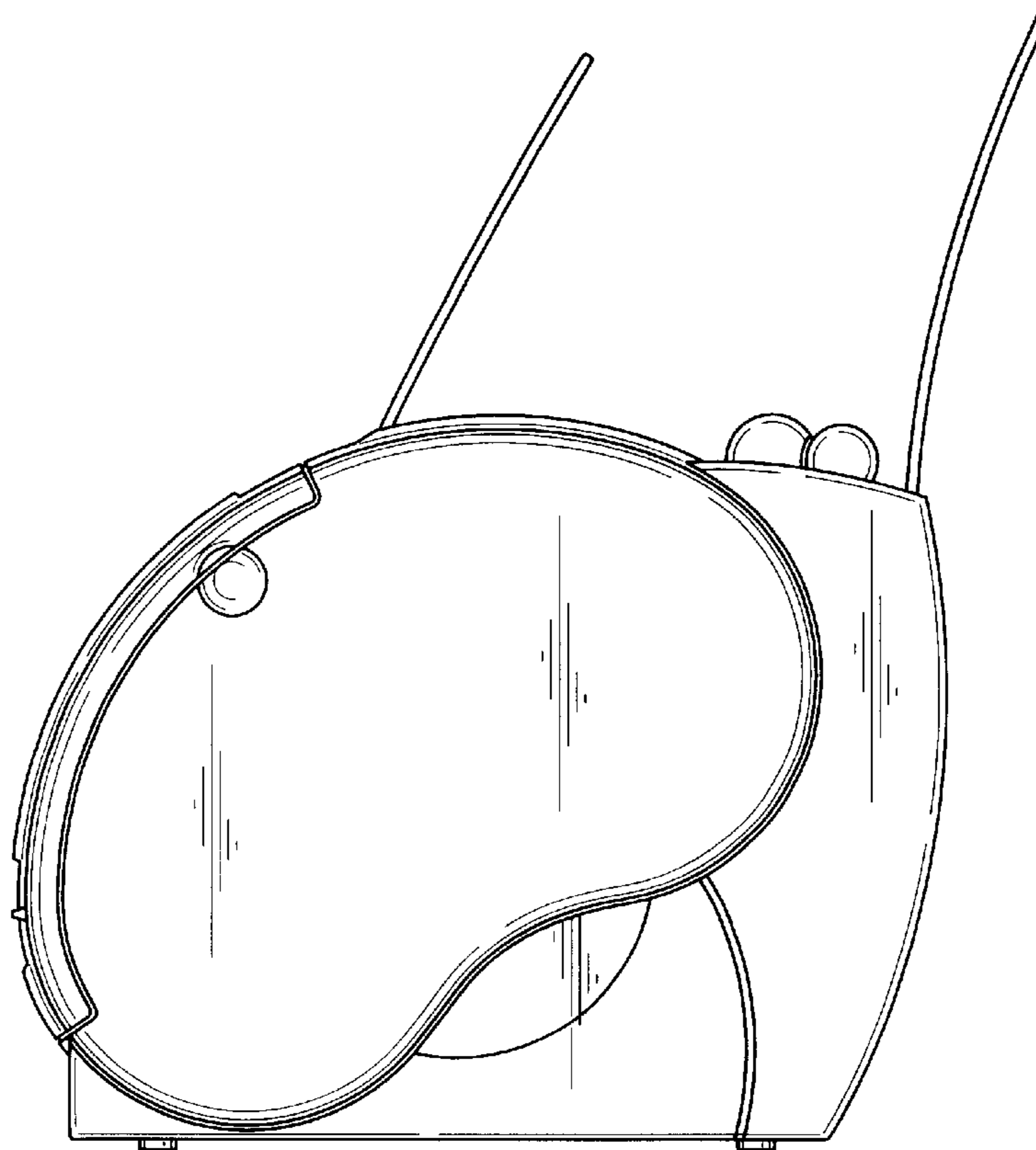
*FIG. 4*



*FIG. 5*



*FIG. 6*



**FIG. 7**

