



US00D492959S1

(12) **United States Design Patent**
Nakanishi

(10) **Patent No.:** **US D492,959 S**

(45) **Date of Patent:** **** Jul. 13, 2004**

(54) **PRINTER**

(75) Inventor: **Hiroya Nakanishi, Kyoto (JP)**

(73) Assignee: **Omron Corporation, Kyoto (JP)**

(**) Term: **14 Years**

(21) Appl. No.: **29/165,138**

(22) Filed: **Aug. 7, 2002**

(30) **Foreign Application Priority Data**

Apr. 17, 2002 (JP) 2002-010375

(51) **LOC (7) Cl.** **14-02**

(52) **U.S. Cl.** **D18/50**

(58) **Field of Search** D18/36-39, 50,
D18/54-55, 4.1, 54.1; D14/462-470, 420-431;
400/613, 613.1-613.4, 691-694, 690.1-690.4

(56) **References Cited**

U.S. PATENT DOCUMENTS

- D263,142 S * 2/1982 Nishi et al. D18/54
- D336,444 S * 6/1993 Anderson et al. D10/81
- D343,190 S * 1/1994 Ishizawa et al. D18/50
- 5,353,360 A * 10/1994 Obara 400/693
- D377,045 S * 12/1996 Chida D18/50
- D386,515 S * 11/1997 Sommerville et al. D18/54.1
- D387,378 S * 12/1997 Sugimoto D18/50
- D393,278 S * 4/1998 Lee D18/50
- D413,623 S * 9/1999 Ohno D18/50
- D418,157 S * 12/1999 Han D18/50
- D422,631 S * 4/2000 Toriyama et al. D18/50
- D431,047 S * 9/2000 Yokakowa D18/50
- 6,181,361 B1 * 1/2001 Bluteau et al. 400/613
- D444,811 S * 7/2001 Yamamoto D18/50
- D449,064 S * 10/2001 Saitoh et al. D18/50

D449,852 S * 10/2001 Sugimoto D18/50

* cited by examiner

Primary Examiner—Cathy Anne MacCormac

(74) *Attorney, Agent, or Firm*—Dickstein Shapiro Morin & Oshinsky LLP

(57) **CLAIM**

The ornamental design for a printer, as shown and described.

DESCRIPTION

FIG. 1 is a front view showing our new design for a printer;
 FIG. 2 is a rear view of the printer of FIG. 1;
 FIG. 3 is a left view of the printer of FIG. 1;
 FIG. 4 is a right view of the printer of FIG. 1;
 FIG. 5 is a top view of the blood printer of FIG. 1;
 FIG. 6 is a bottom view of the printer of FIG. 1;
 FIG. 7 is a first perspective view of the printer of FIG. 1;
 FIG. 8 is a second perspective view of the printer of FIG. 1 showing the cover opened;
 FIG. 9 is a third perspective view of the printer of FIG. 1 showing the cover opened;
 FIG. 10 is a front view of the printer of FIG. 1 showing the cable extended;
 FIG. 11 is a right side view of the printer of FIG. 4 showing the cable extended;
 FIG. 12 is a top view of the printer of FIG. 1 showing the cable extended;
 FIG. 13 is a bottom view of the printer of FIG. 1 showing the cable extended;
 FIG. 14 is fourth perspective view of the printer of FIG. 1 showing the cable extended; and,
 FIG. 15 is a fifth perspective view of the printer of FIG. 1 in use.

The broken lines in FIG. 15 are for purposes of illustration only and form no part of the claimed design.

1 Claim, 7 Drawing Sheets

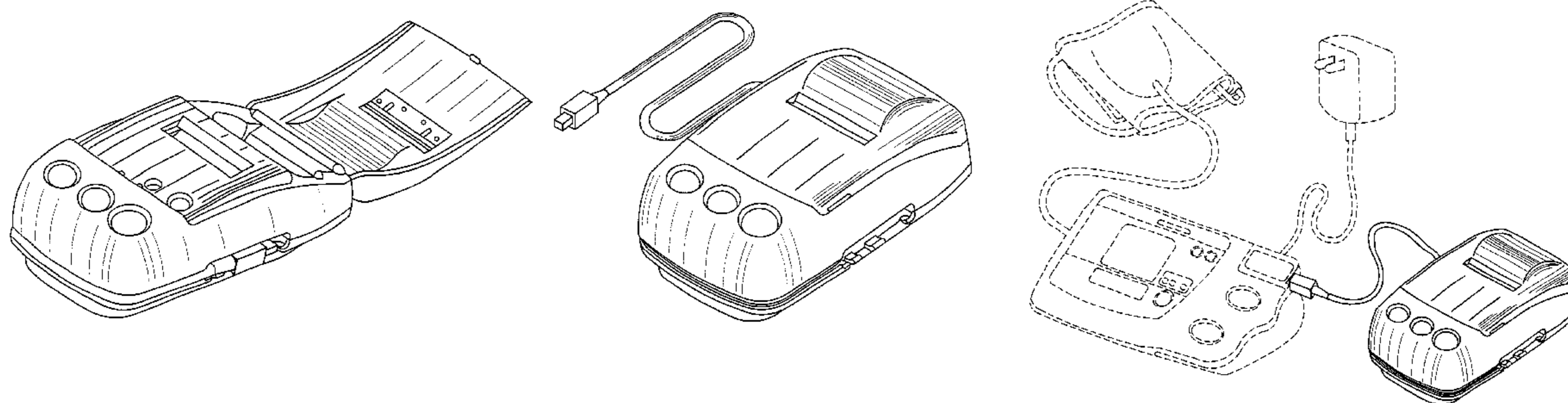


FIG. 1

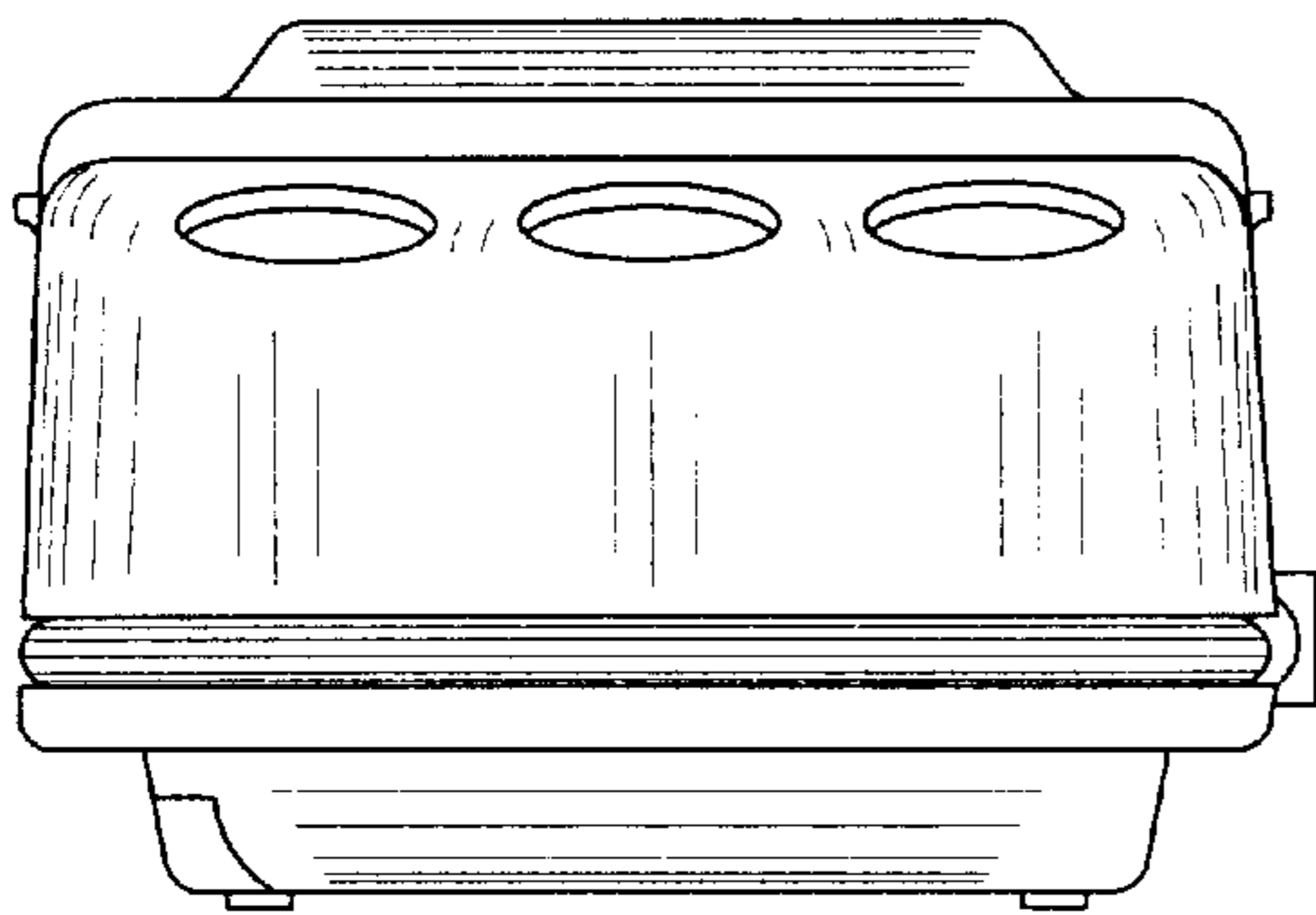


FIG. 2

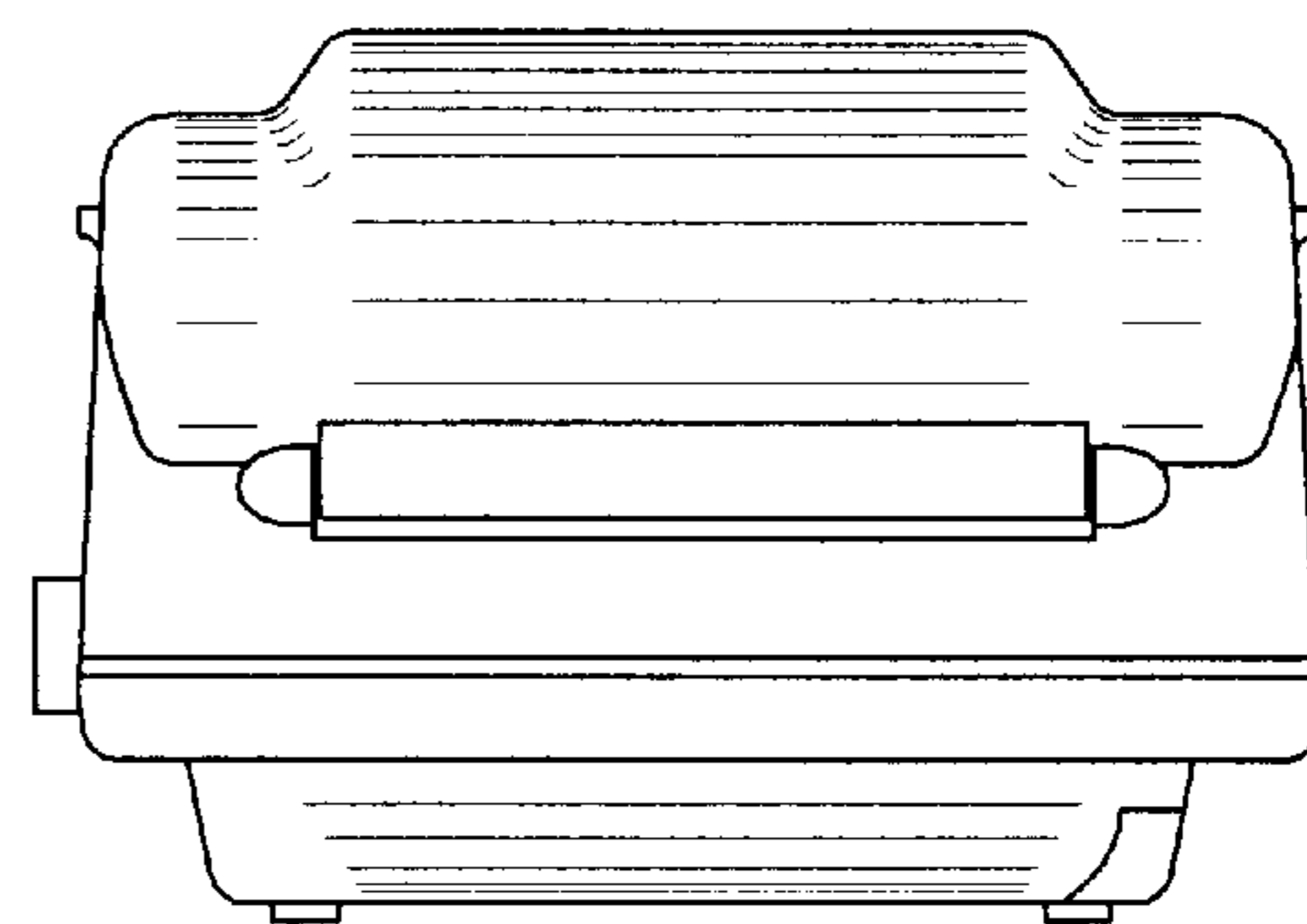


FIG. 3

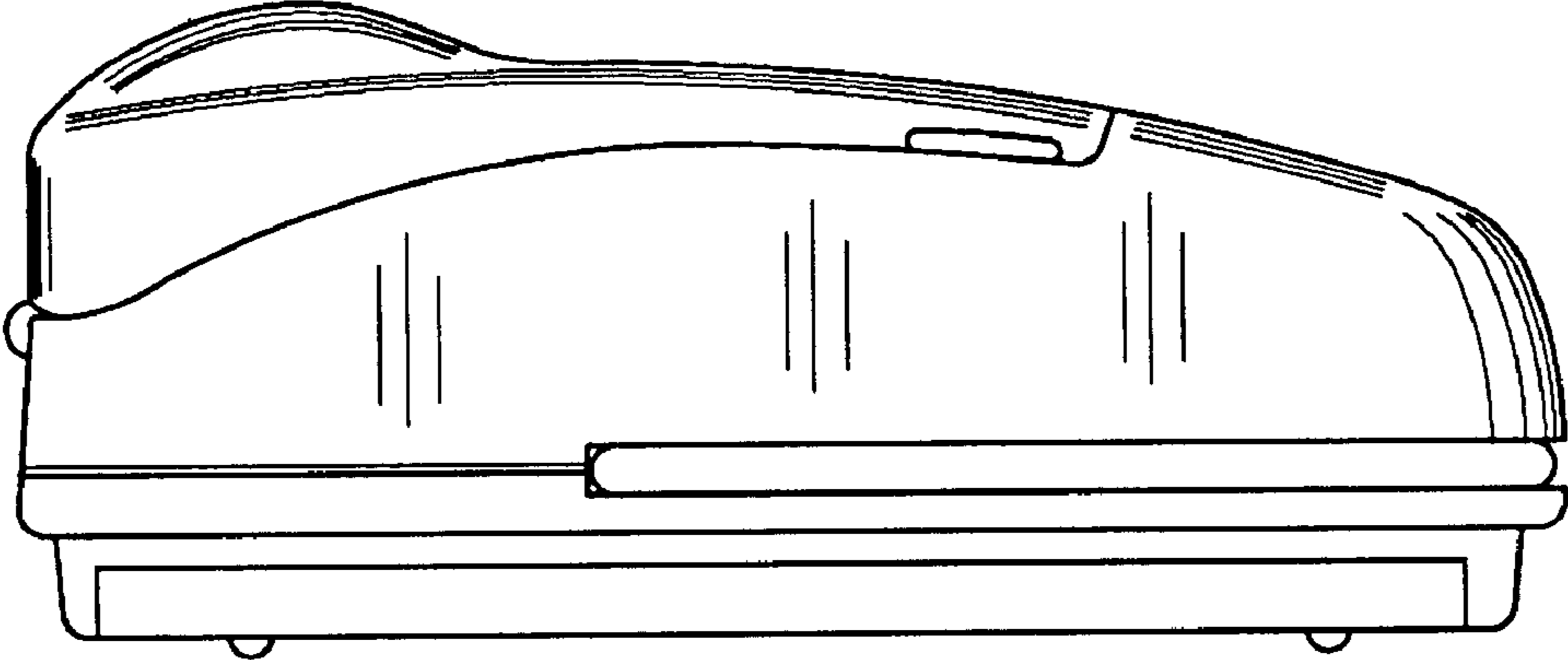


FIG. 4

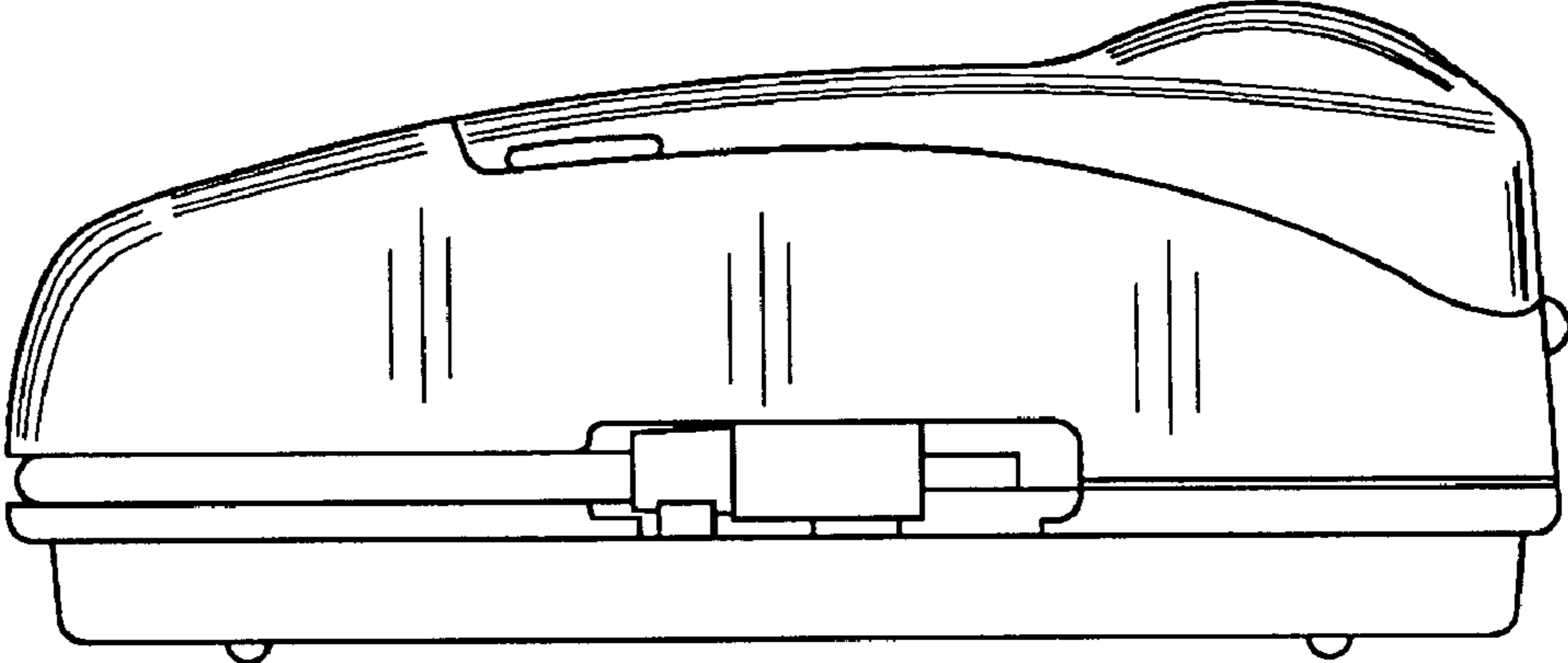


FIG. 5

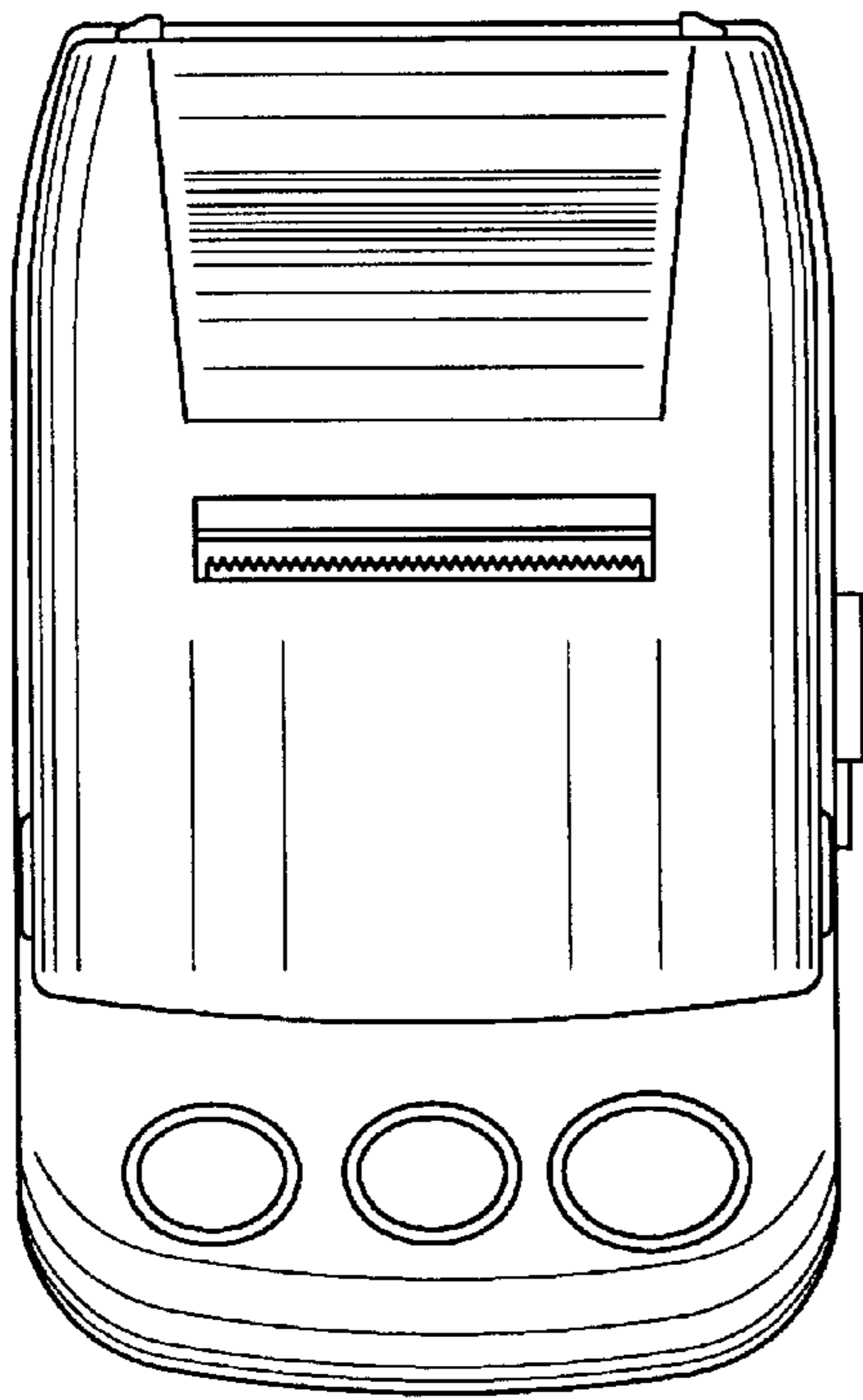


FIG. 6

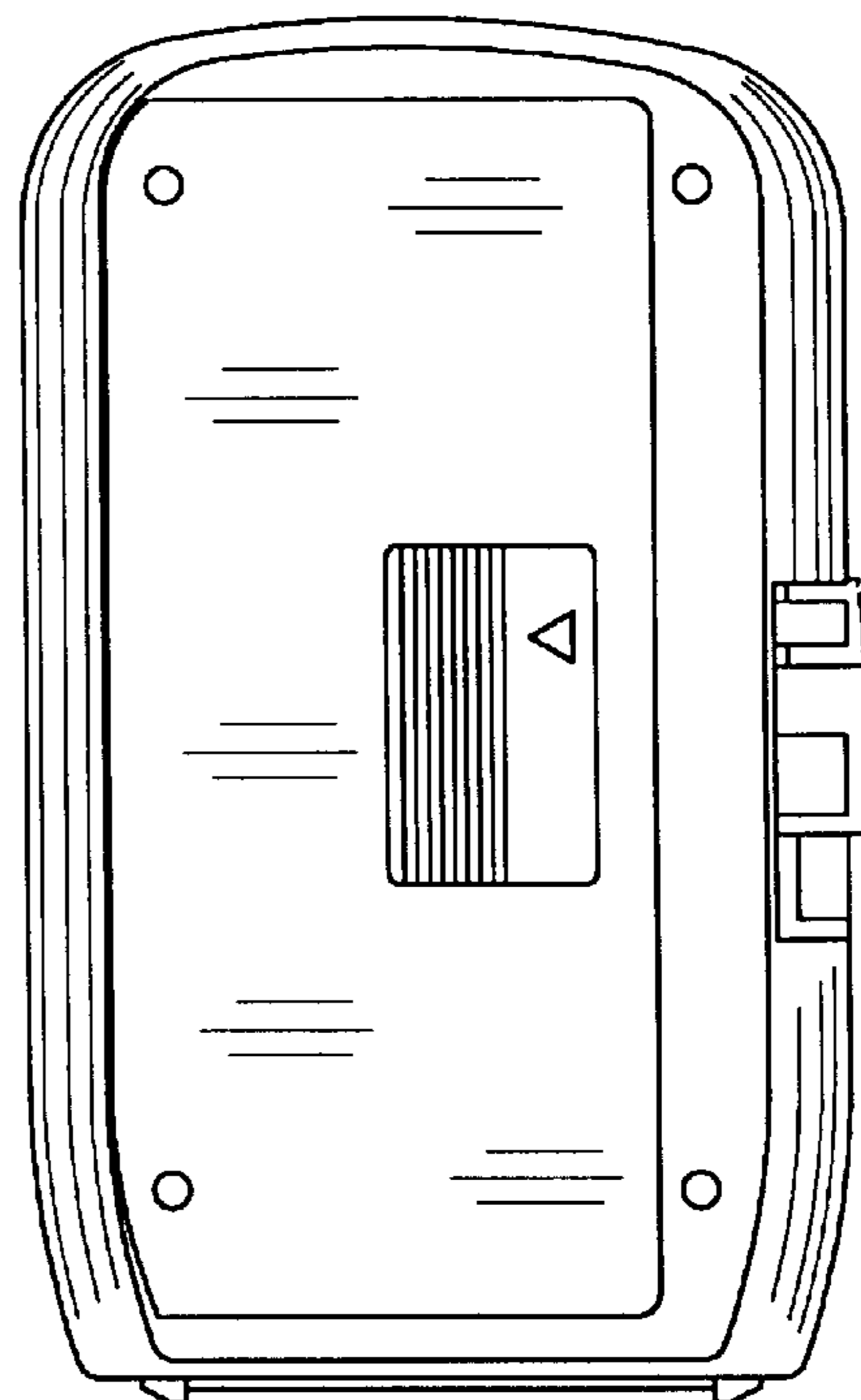


FIG. 7

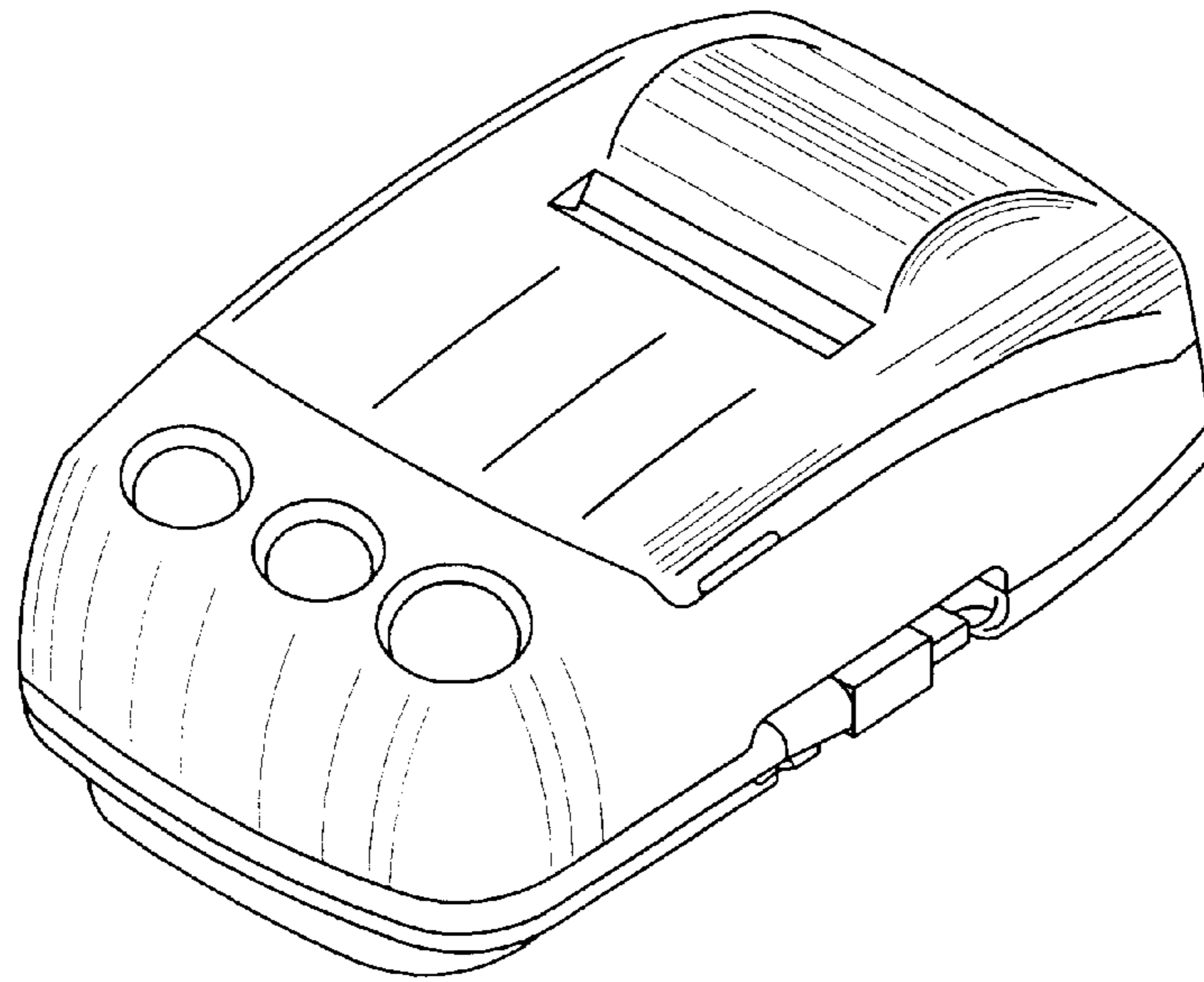


FIG. 8

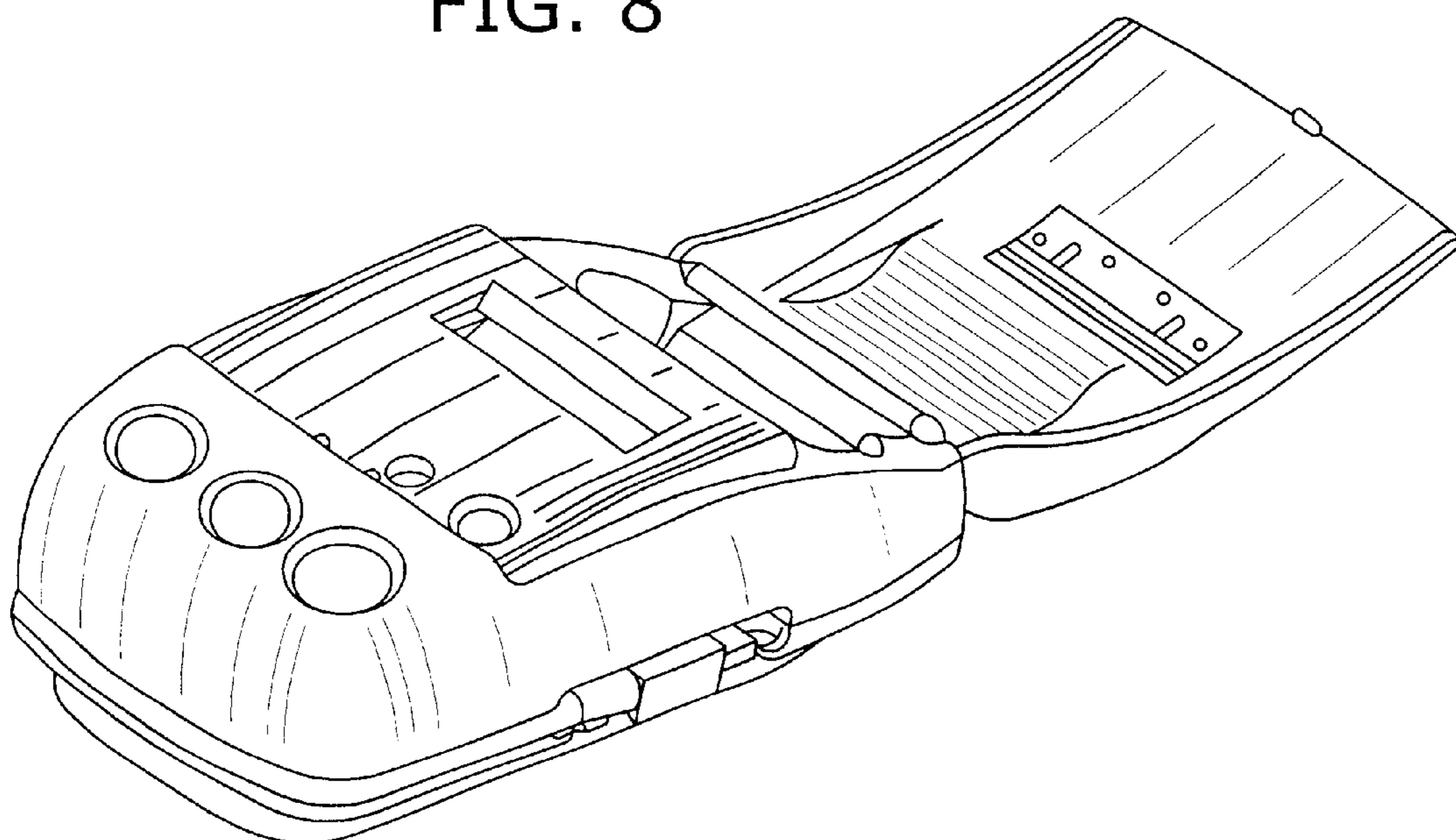


FIG. 9

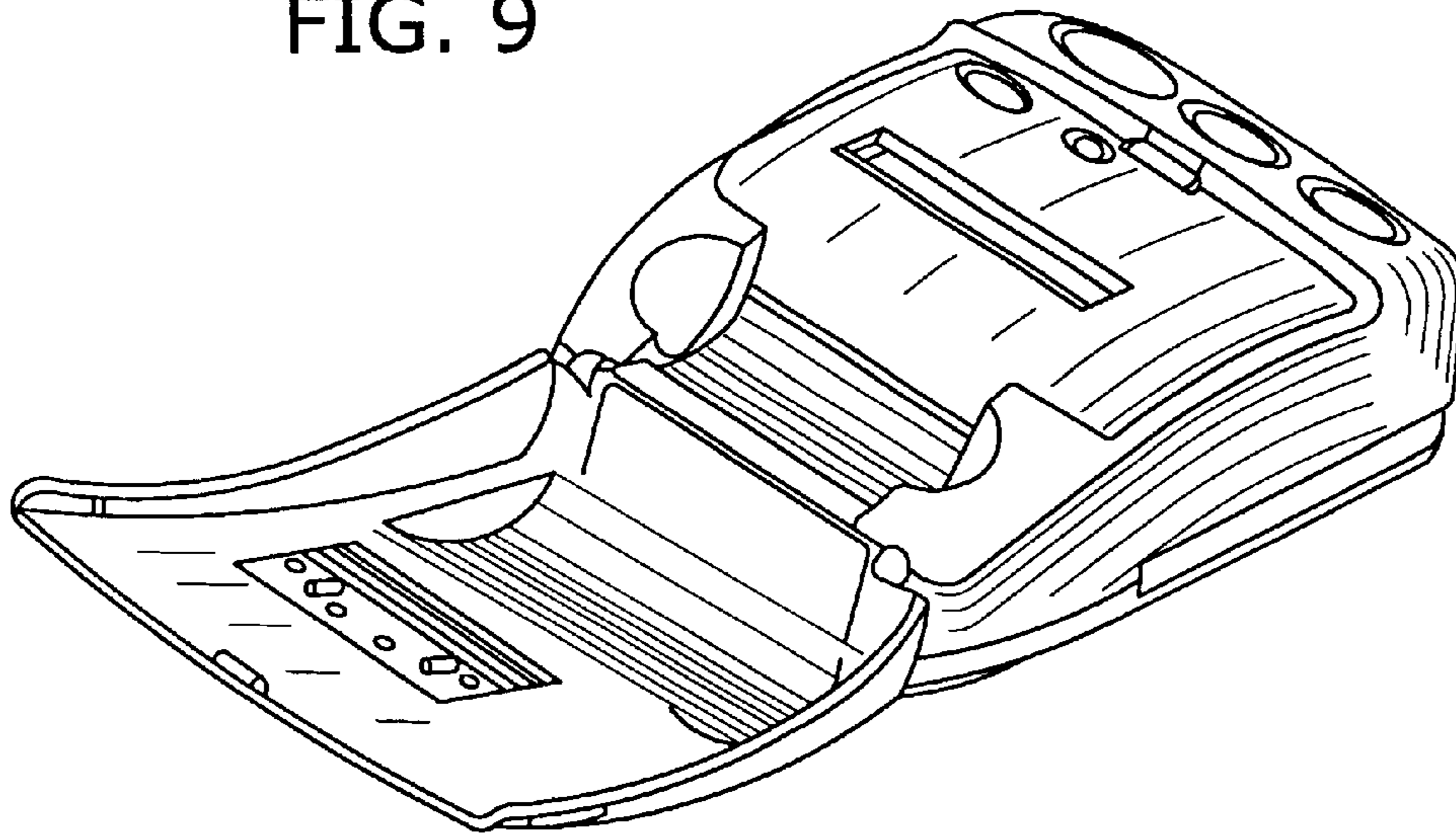


FIG. 10

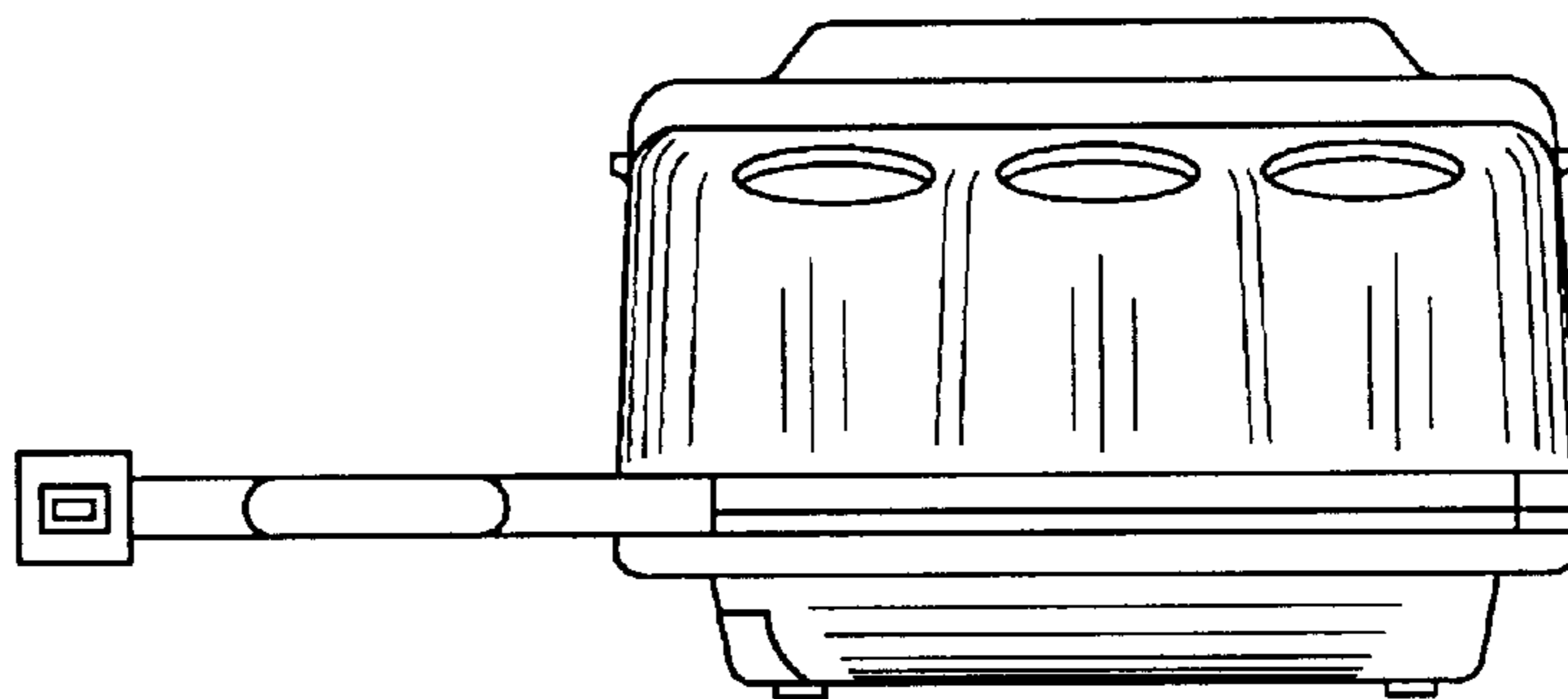


FIG. 11

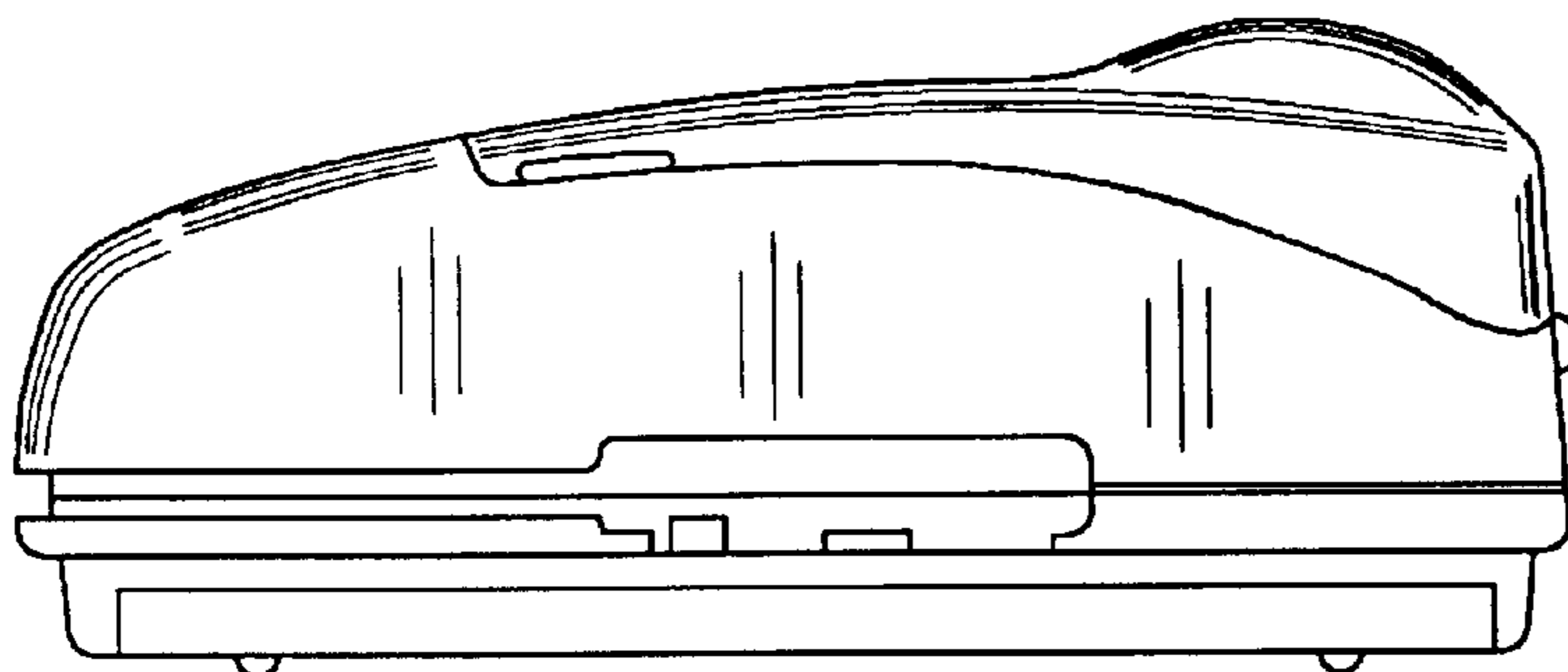


FIG. 12

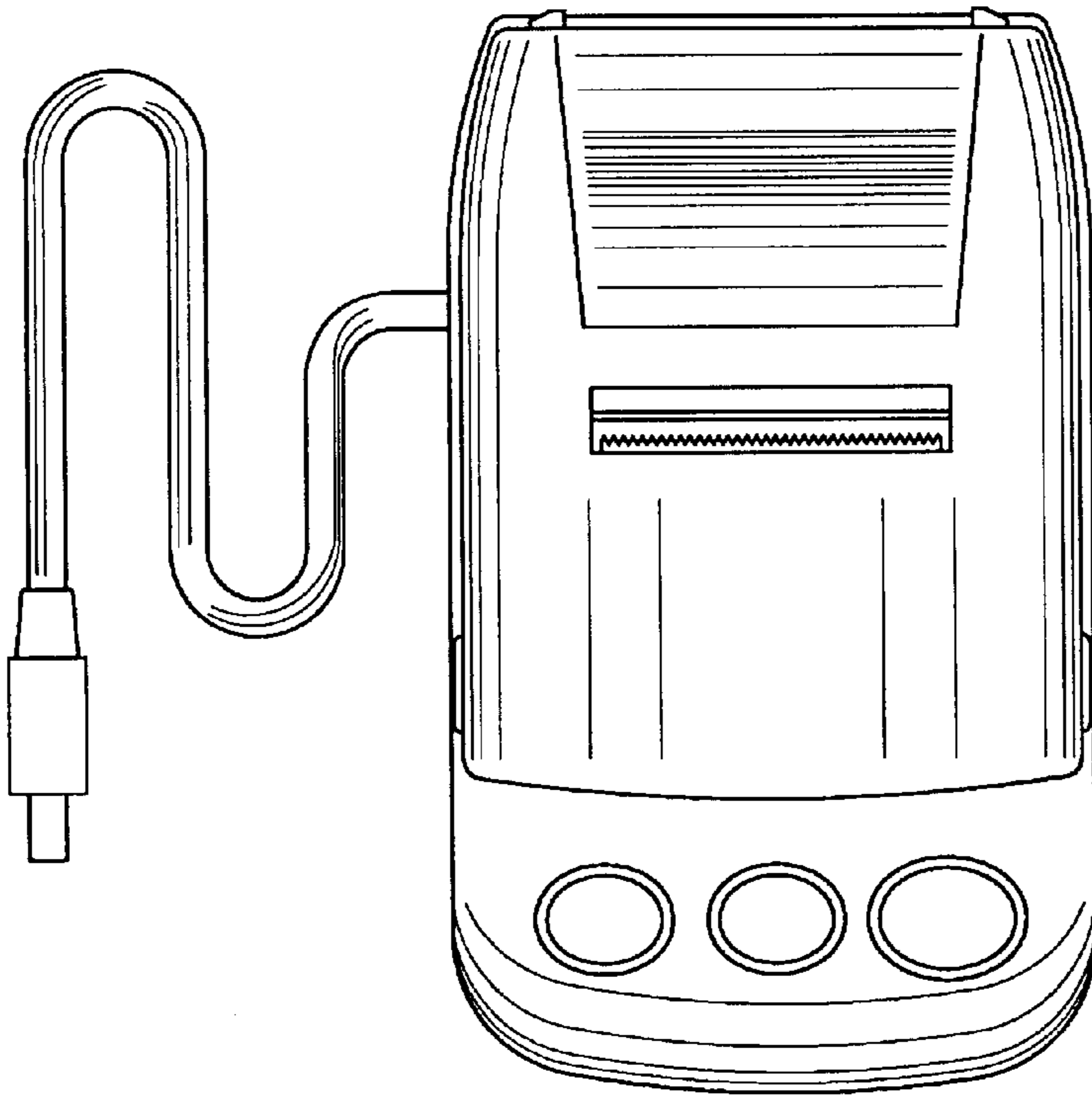


FIG. 13

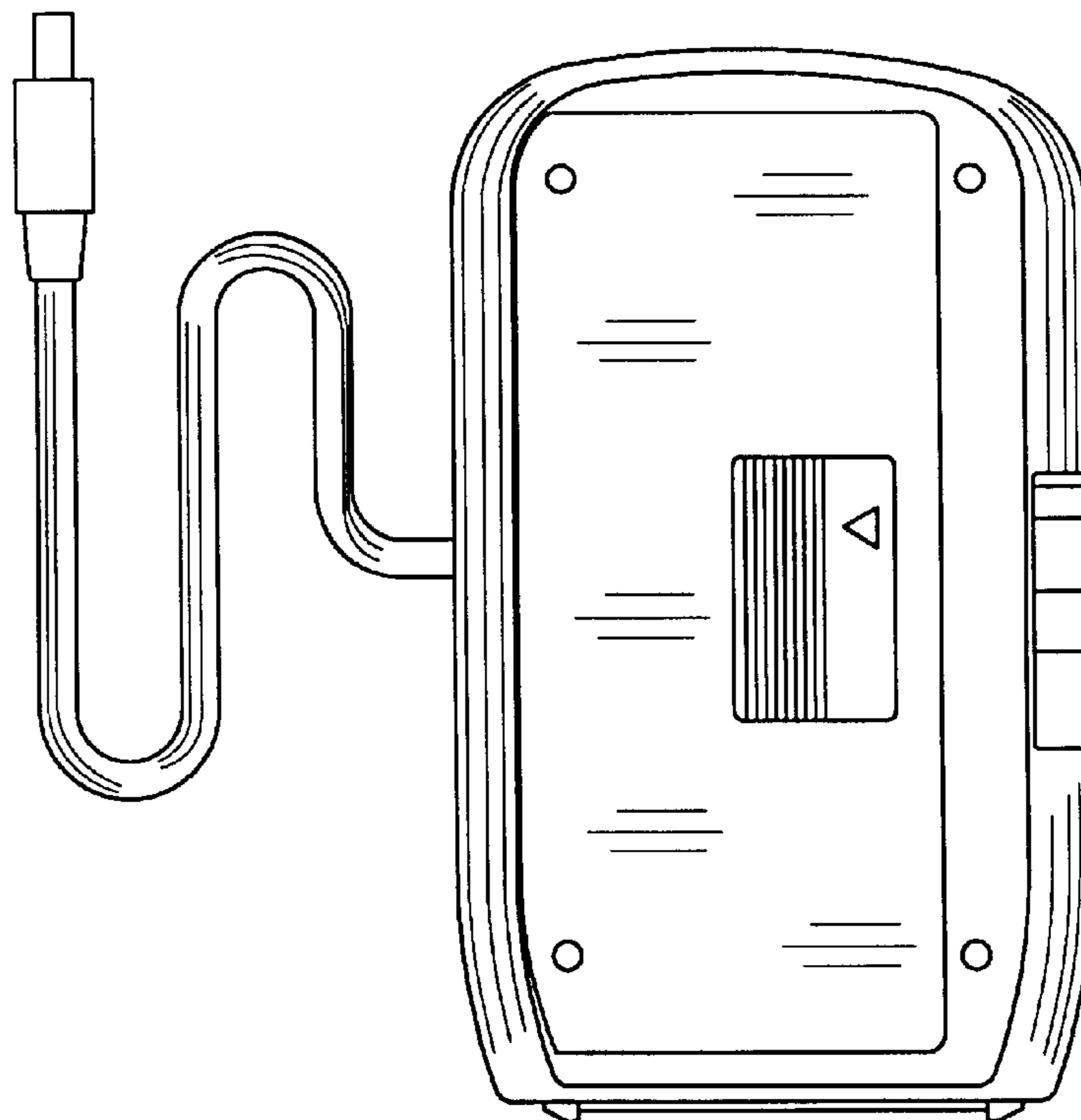


FIG. 14

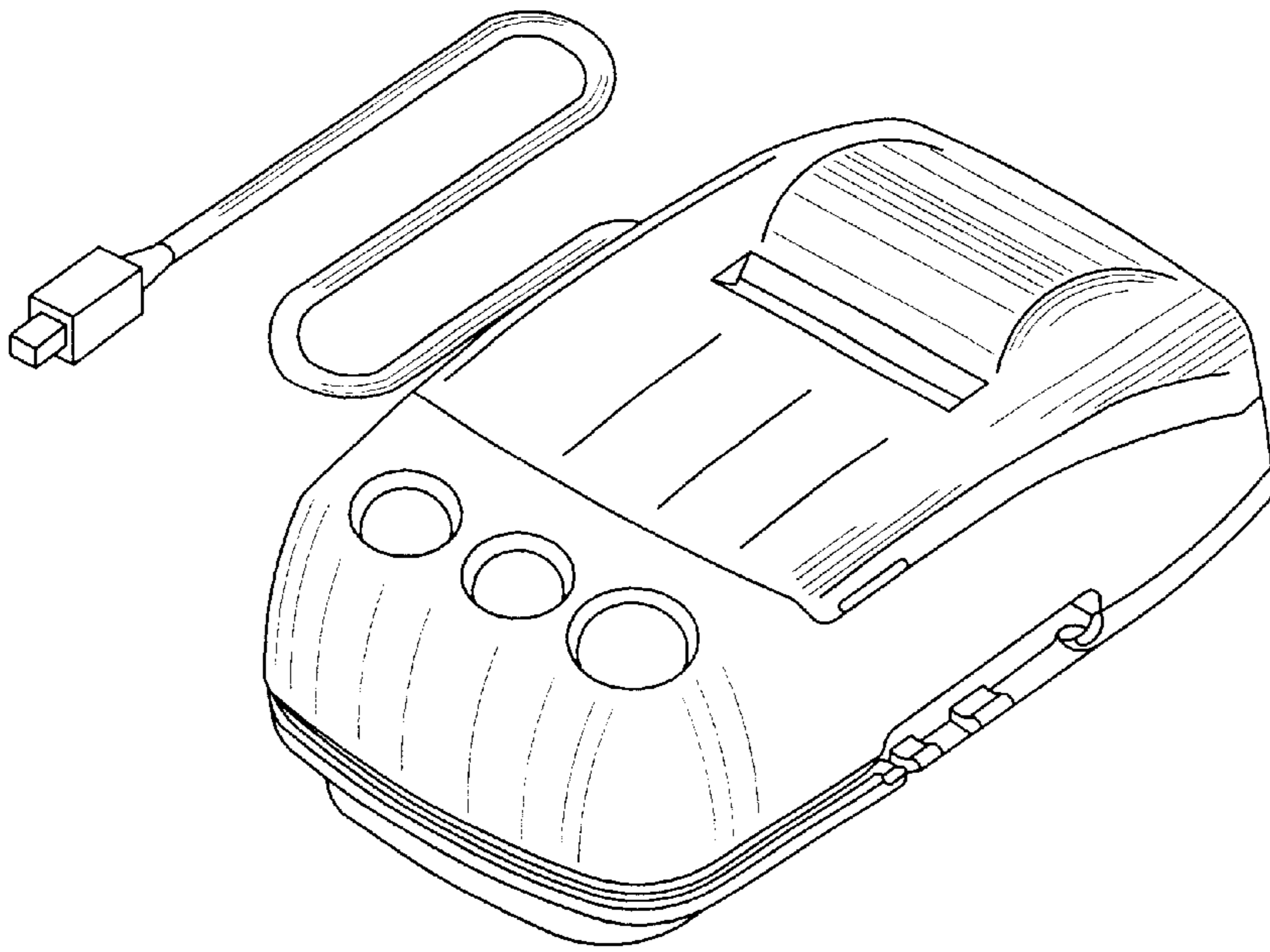


FIG. 15

