



US00D492958S1

(12) **United States Design Patent**
Karakama et al.

(10) **Patent No.:** **US D492,958 S**
(45) **Date of Patent:** **** Jul. 13, 2004**

(54) **IMAGE FORMING APPARATUS**

(75) Inventors: **Toshiyuki Karakama**, Susono (JP);
Toru Oguma, Mishima (JP); **Akiyoshi Yokoi**,
Sunto-gun (JP); **Noriyuki Komatsu**, Numazu (JP)

(73) Assignee: **Canon Kabushiki Kaisha**, Tokyo (JP)

(**) Term: **14 Years**

(21) Appl. No.: **29/172,780**

(22) Filed: **Dec. 18, 2002**

(30) **Foreign Application Priority Data**

Jun. 24, 2002 (JP) 2002-016864

(51) **LOC (7) Cl.** **16-03**

(52) **U.S. Cl.** **D18/40**

(58) **Field of Search** D18/40, 43, 56;
399/1-3, 12, 24-33, 107-117, 119, 121,
130, 252, 262, 263; 222/DIG. 1

(56) **References Cited**

U.S. PATENT DOCUMENTS

D374,455 S * 10/1996 Senshiki D18/43

D378,830 S * 4/1997 Kim D18/43
D397,140 S * 8/1998 Oshida D18/40
D478,615 S * 8/2003 Karakama et al. D18/40
2003/0103774 A1 * 6/2003 Watanabe et al. 399/12
2003/0108355 A1 * 6/2003 Watanabe et al. 399/12
2003/0161657 A1 * 8/2003 Yokoi et al. 399/119

* cited by examiner

Primary Examiner—Caron D. Veynar

(74) *Attorney, Agent, or Firm*—Fitzpatrick, Cella, Harper & Scinto

(57) **CLAIM**

The ornamental design for an image forming apparatus, as shown and described.

DESCRIPTION

FIG. 1 is a front view of an image forming apparatus showing our new design;
FIG. 2 is a rear view thereof;
FIG. 3 is a top plan view thereof;
FIG. 4 is a bottom plan view thereof;
FIG. 5 is a left side view thereof;
FIG. 6 is a right side view thereof; and,
FIG. 7 is a perspective view thereof.

1 Claim, 6 Drawing Sheets

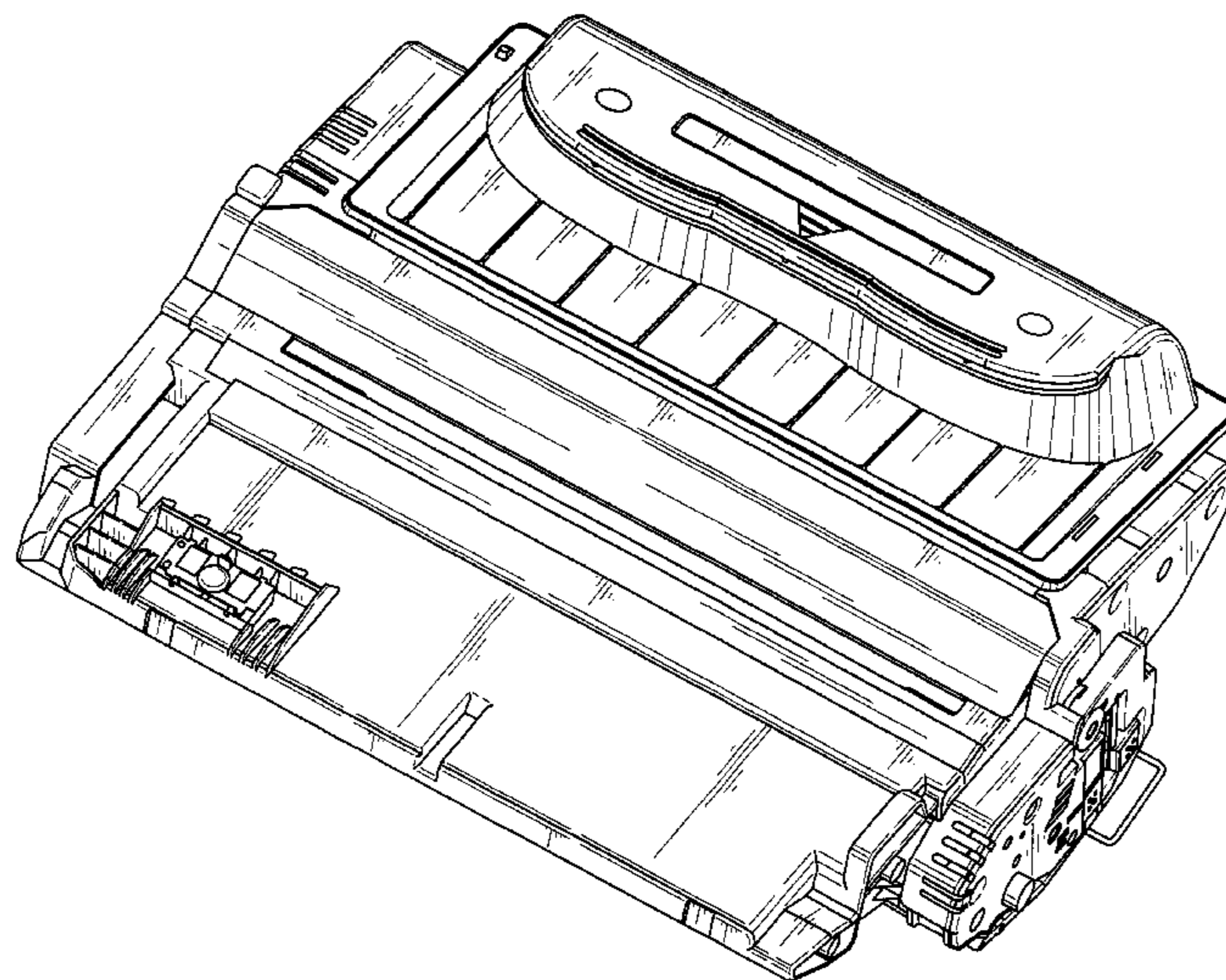
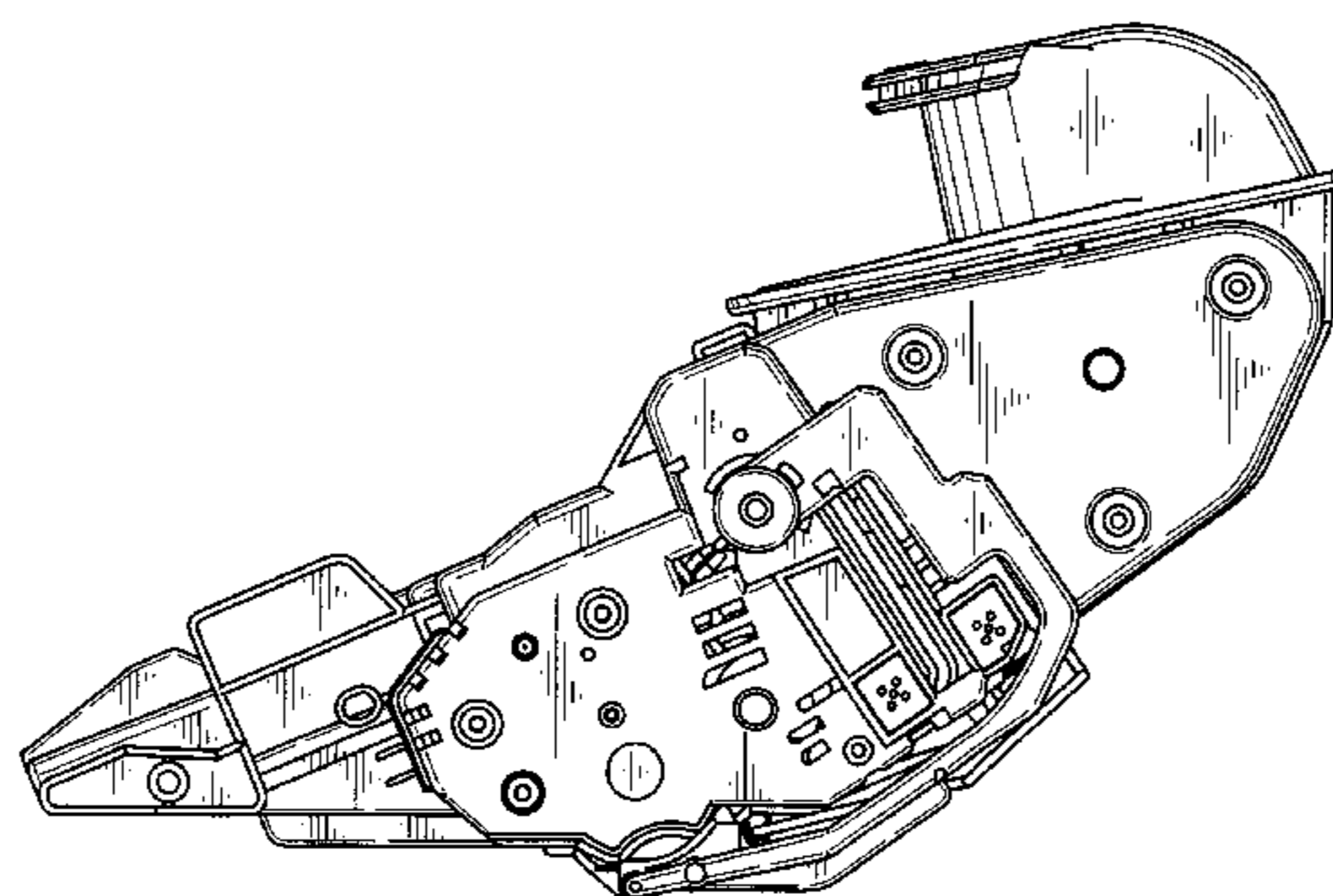


FIG. 1

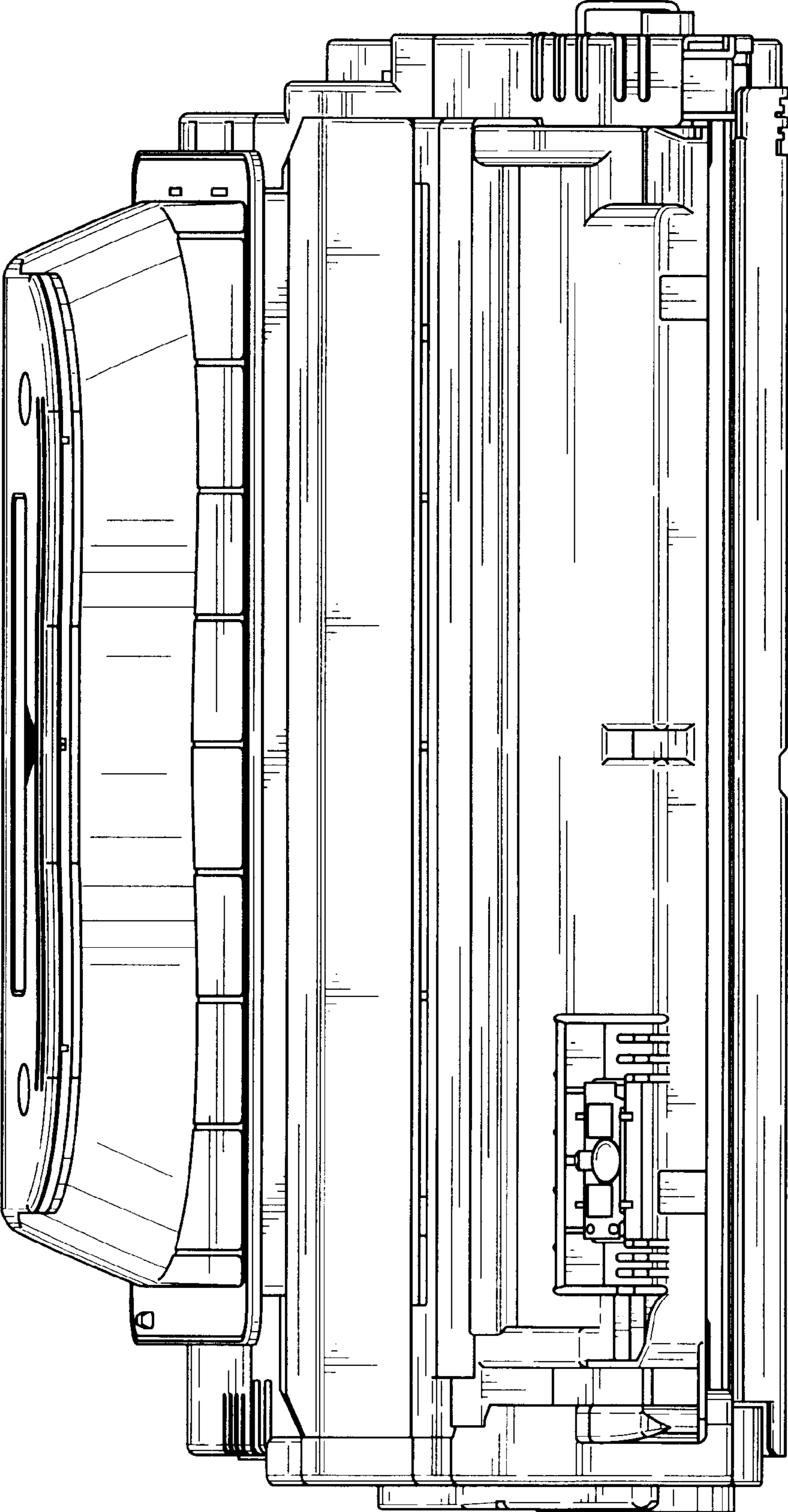


FIG. 2

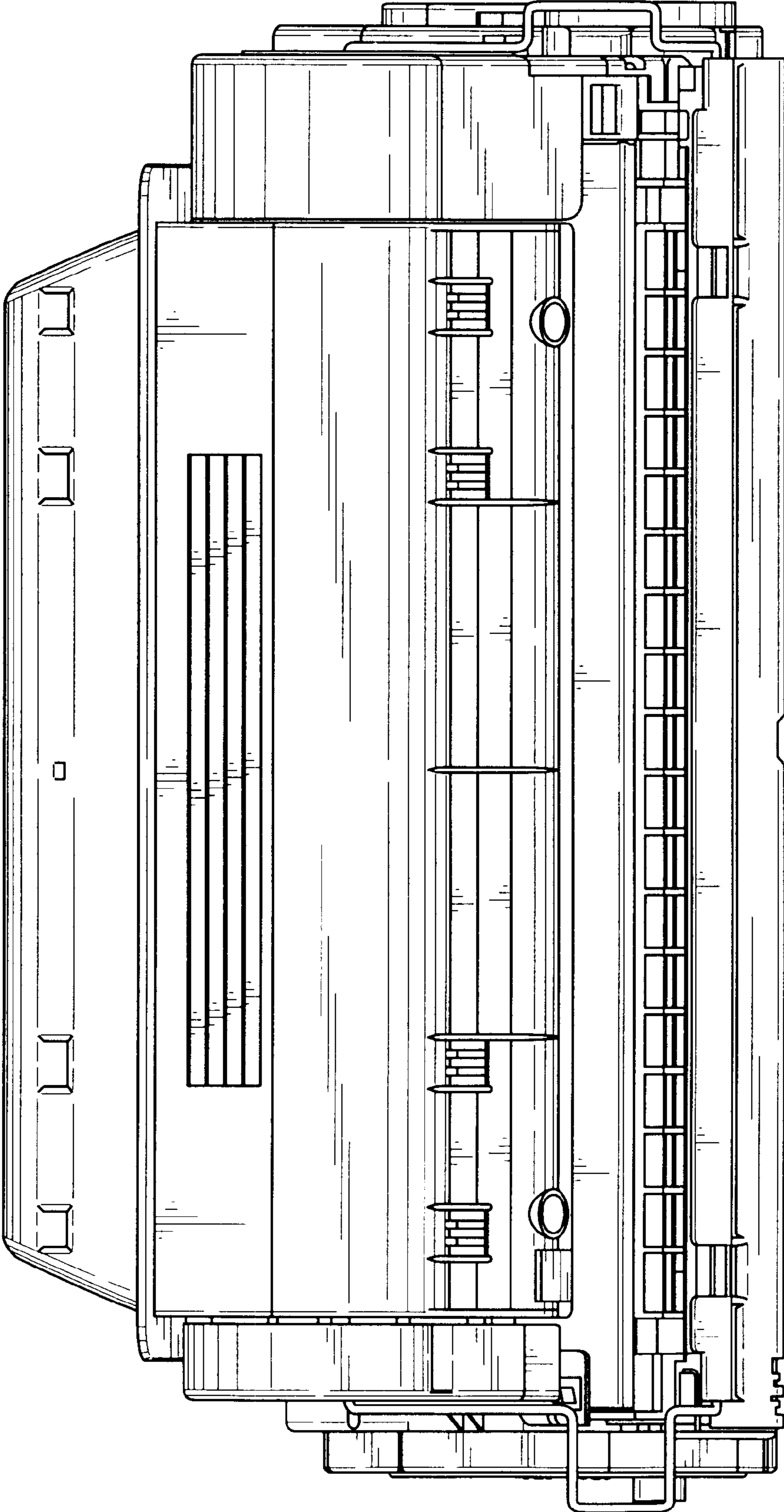


FIG. 3

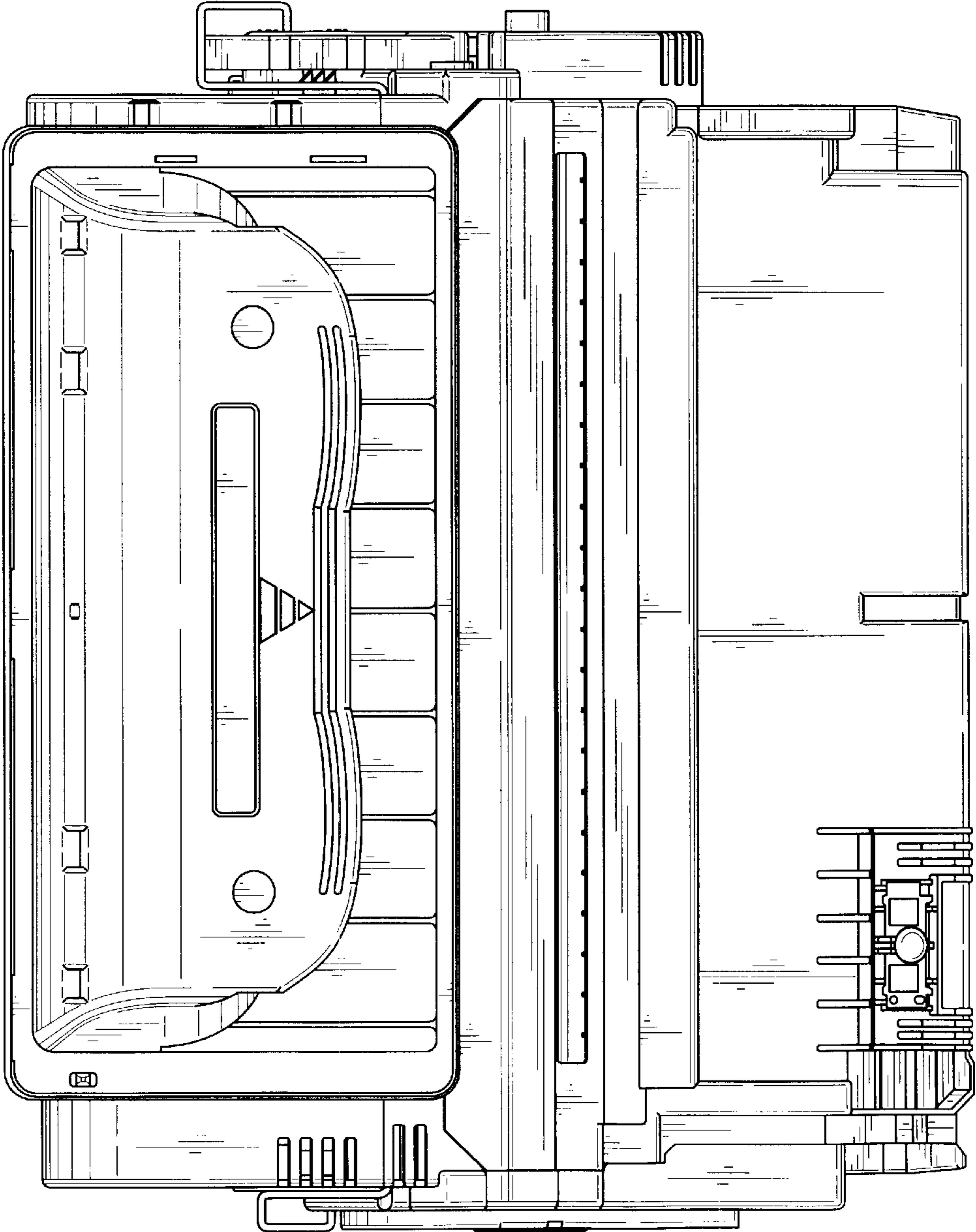


FIG. 4

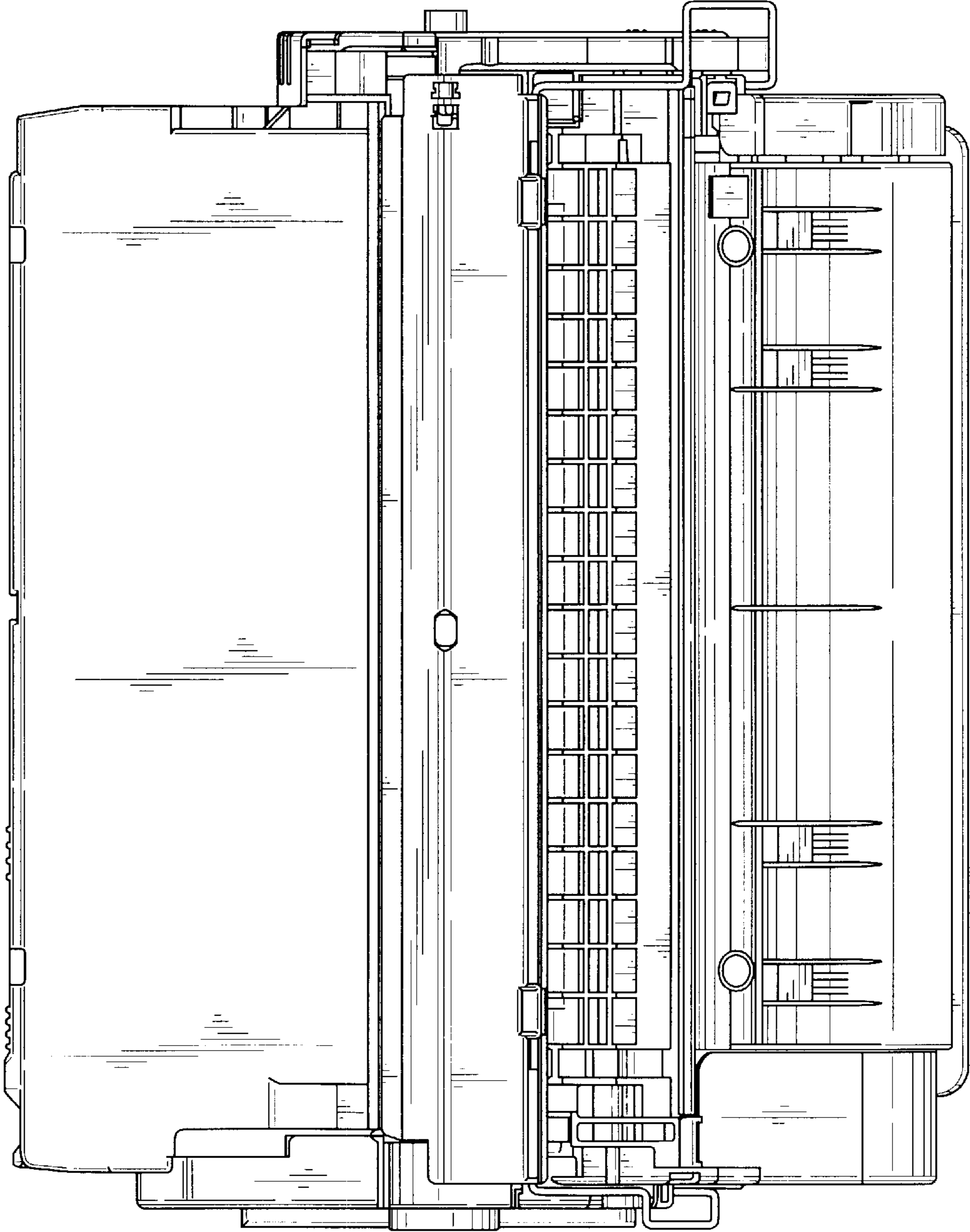


FIG. 5

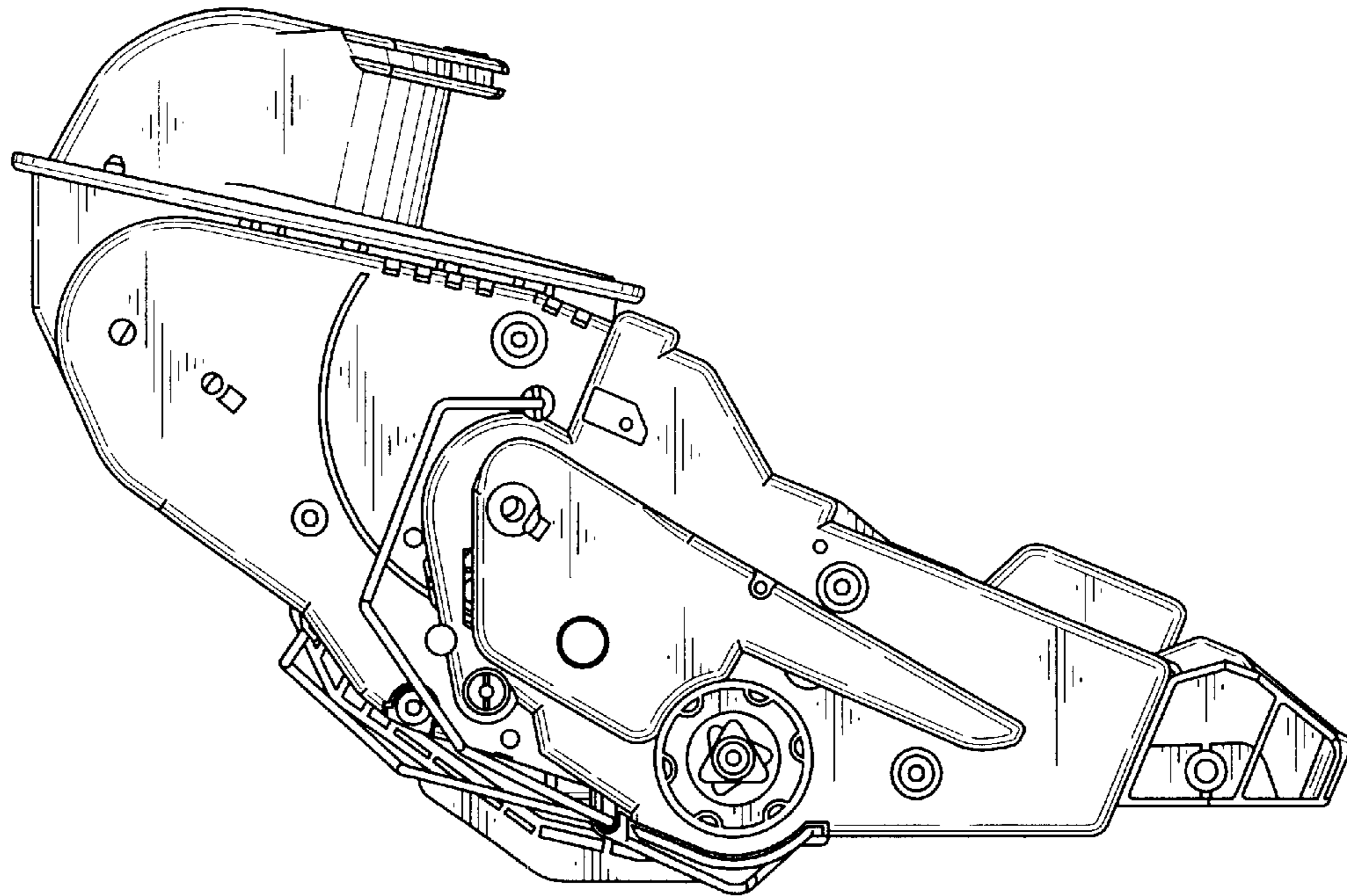


FIG. 6

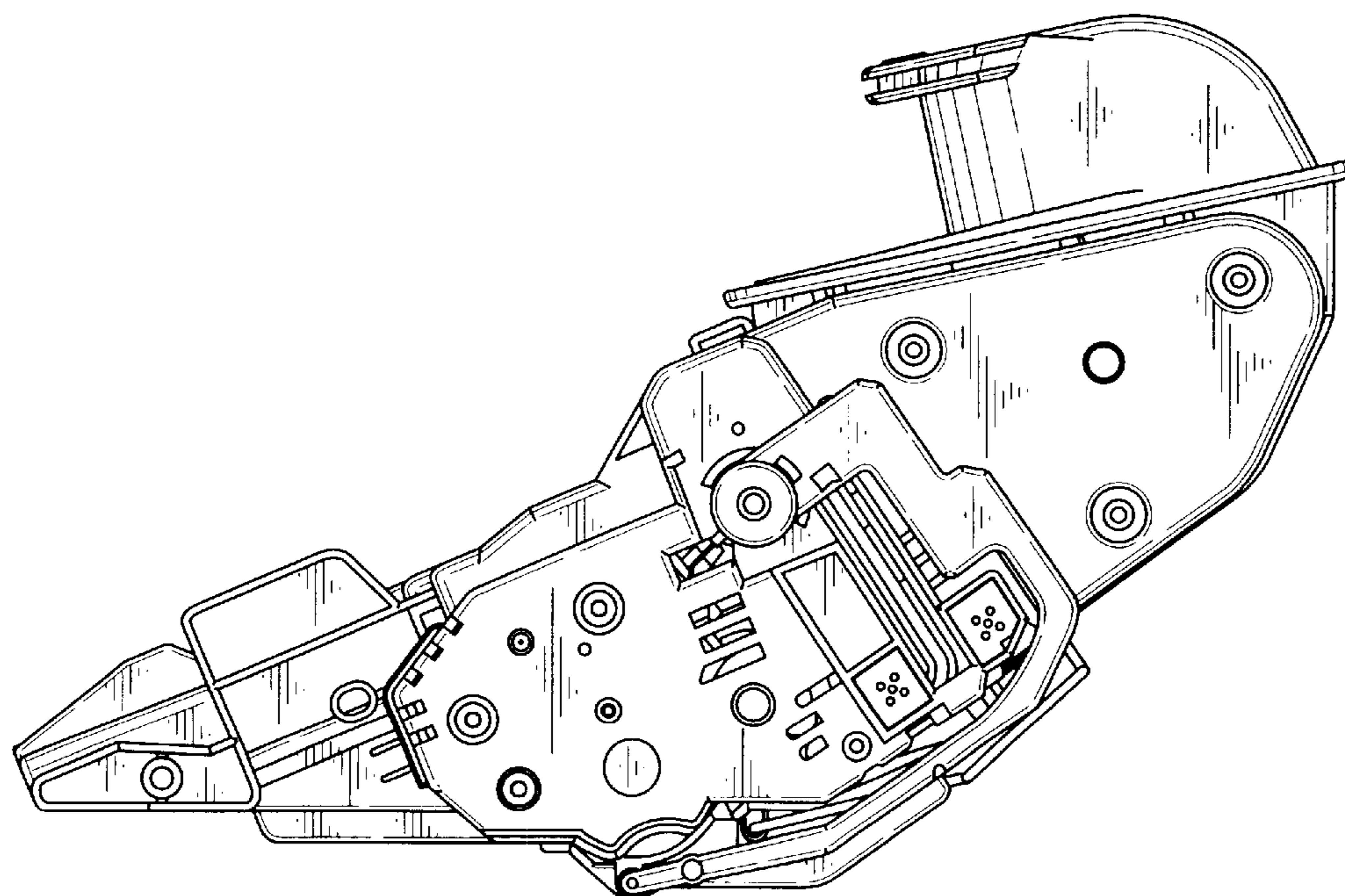


FIG. 7

