



US00D492957S1

(12) **United States Design Patent** (10) **Patent No.:** **US D492,957 S**
Wei (45) **Date of Patent:** **** Jul. 13, 2004**

(54) **HAND STAMP**

GB 2102516 * 7/2001

(75) Inventor: **Chen Hui Wei**, Ninghai (CN)

* cited by examiner

(73) Assignee: **Sun Coast Merchandise Corp.**,
Commerce, CA (US)

Primary Examiner—Charles A. Rademaker
(74) *Attorney, Agent, or Firm*—The Soni Law Firm;
Michael E. Hoffman

(**) Term: **14 Years**

(57) **CLAIM**

(21) Appl. No.: **29/190,634**

The ornamental design for a hand stamp, as shown and described.

(22) Filed: **Sep. 23, 2003**

DESCRIPTION

(51) **LOC (7) Cl.** **19-02**

FIG. 1 is a front perspective view of a hand stamp showing my new design;

(52) **U.S. Cl.** **D18/15**

FIG. 2 is a front elevation thereof, the side opposite being a mirror image;

(58) **Field of Search** D18/15–19, 50,
D18/53, 99; 101/31.1, 111, 327, 405, DIG. 49,
104; 400/134.4, 13, 134.6; 156/220, 219,
361

FIG. 3 is a left side elevation, the side opposite being a mirror image;

(56) **References Cited**

FIG. 4 is a top plan view thereof;

U.S. PATENT DOCUMENTS

FIG. 5 is a bottom plan view thereof;

4,841,860 A	6/1989	Fehling	
4,852,489 A	8/1989	Wall	
4,970,954 A	11/1990	Weir	
D323,527 S	* 1/1992	Weir et al.	D18/15
5,152,223 A	10/1992	Mairon	
5,517,916 A	5/1996	Dour	
5,623,875 A	4/1997	Perets	
5,649,485 A	7/1997	Dour	
D387,799 S	* 12/1997	Daw et al.	D18/15
5,727,467 A	3/1998	Skopek	
5,768,992 A	6/1998	Daw	
D425,546 S	* 5/2000	Lee	D18/15
D453,784 S	* 2/2002	Harden	D18/15

FIG. 6 is a perspective view of the design shown in FIGS. 1 through 5 in a compressed condition;

FOREIGN PATENT DOCUMENTS

GB 2032383 * 11/1993

FIG. 7 is affront elevation thereof, the side opposite being a mirror image;

FIG. 8 is a left side elevation thereof, the side opposite being a mirror image; and,

FIG. 9 is a bottom plan view thereof.

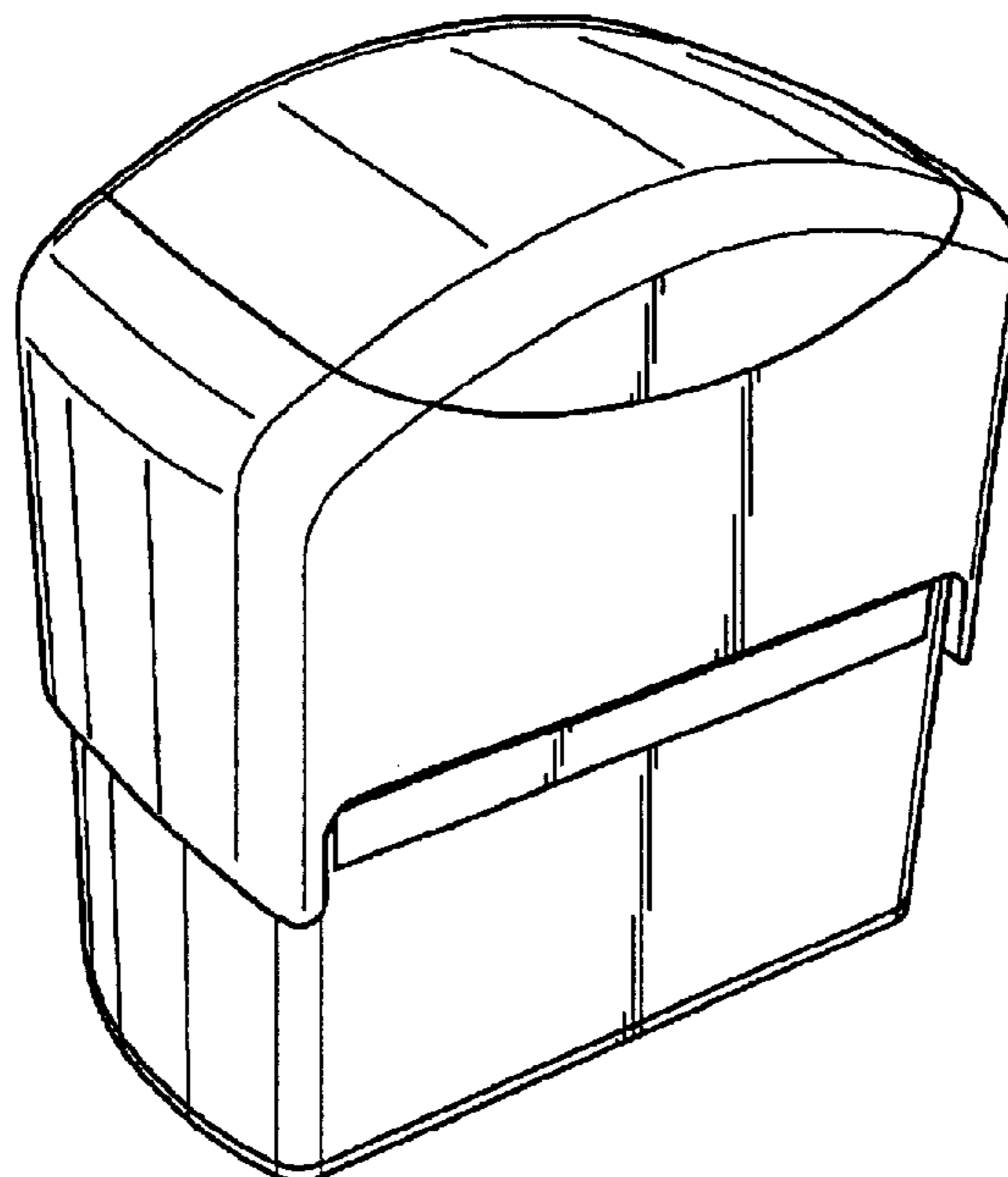
The back view elevational view of the stamper of FIG. 1 is a mirror image of FIG. 2.

The back view elevational view of the stamper of FIG. 6 is a mirror image of FIG. 7.

The right side elevational view of the stamper of FIG. 1 is a mirror image of FIG. 3.

The right side elevational view of the stamper of FIG. 6 is a mirror image of FIG. 8.

1 Claim, 3 Drawing Sheets



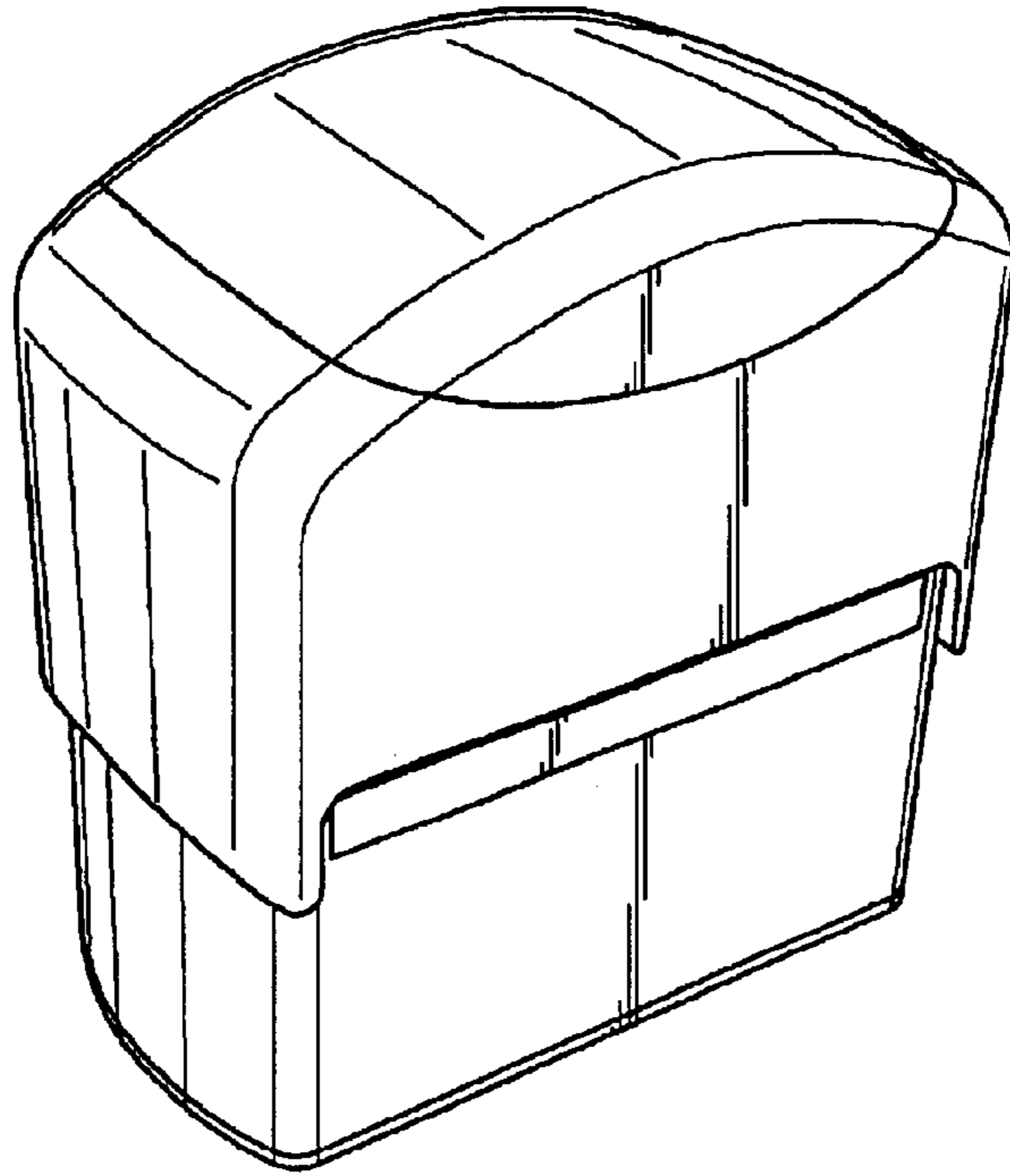


FIG. 1

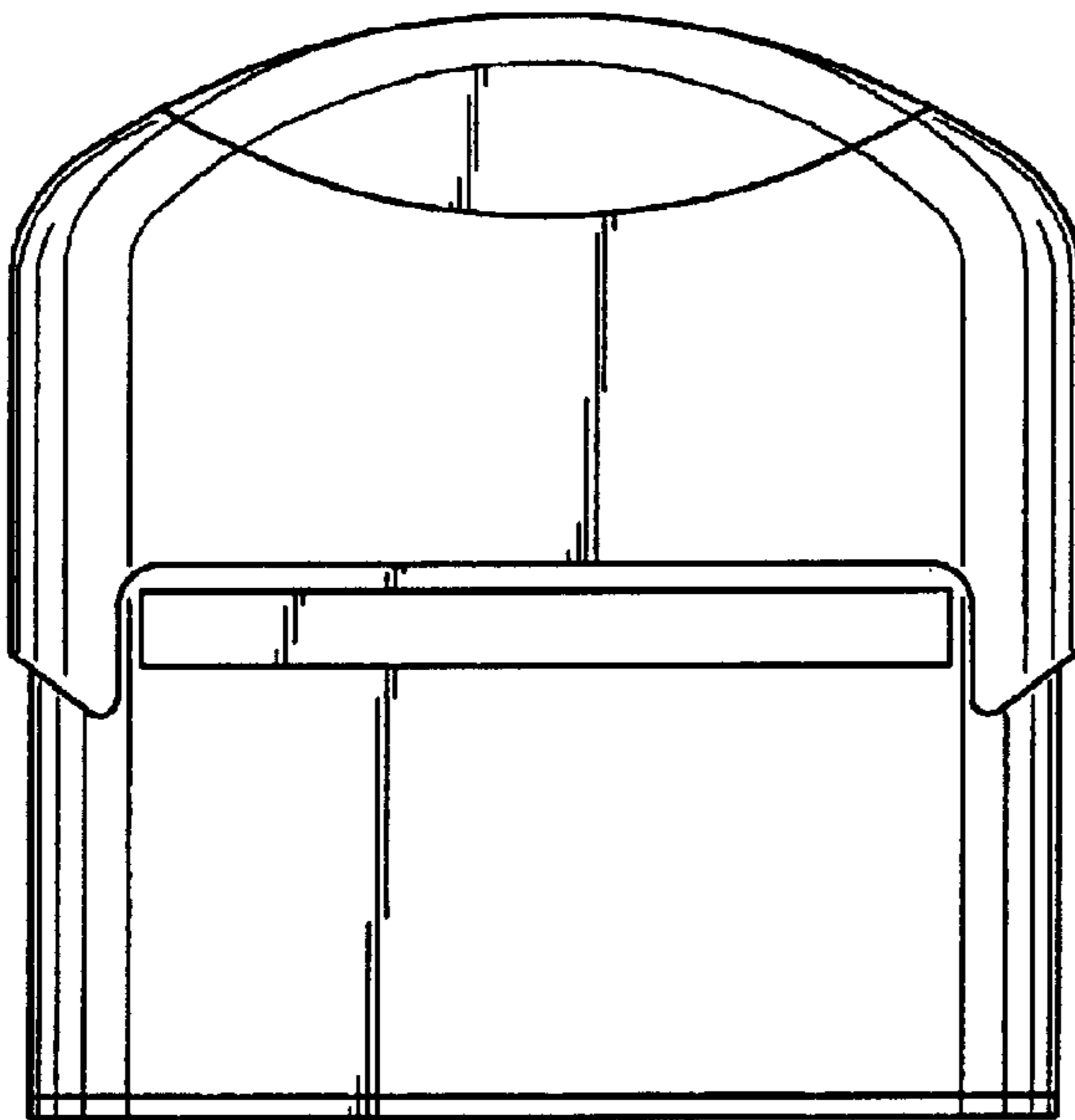


FIG. 2

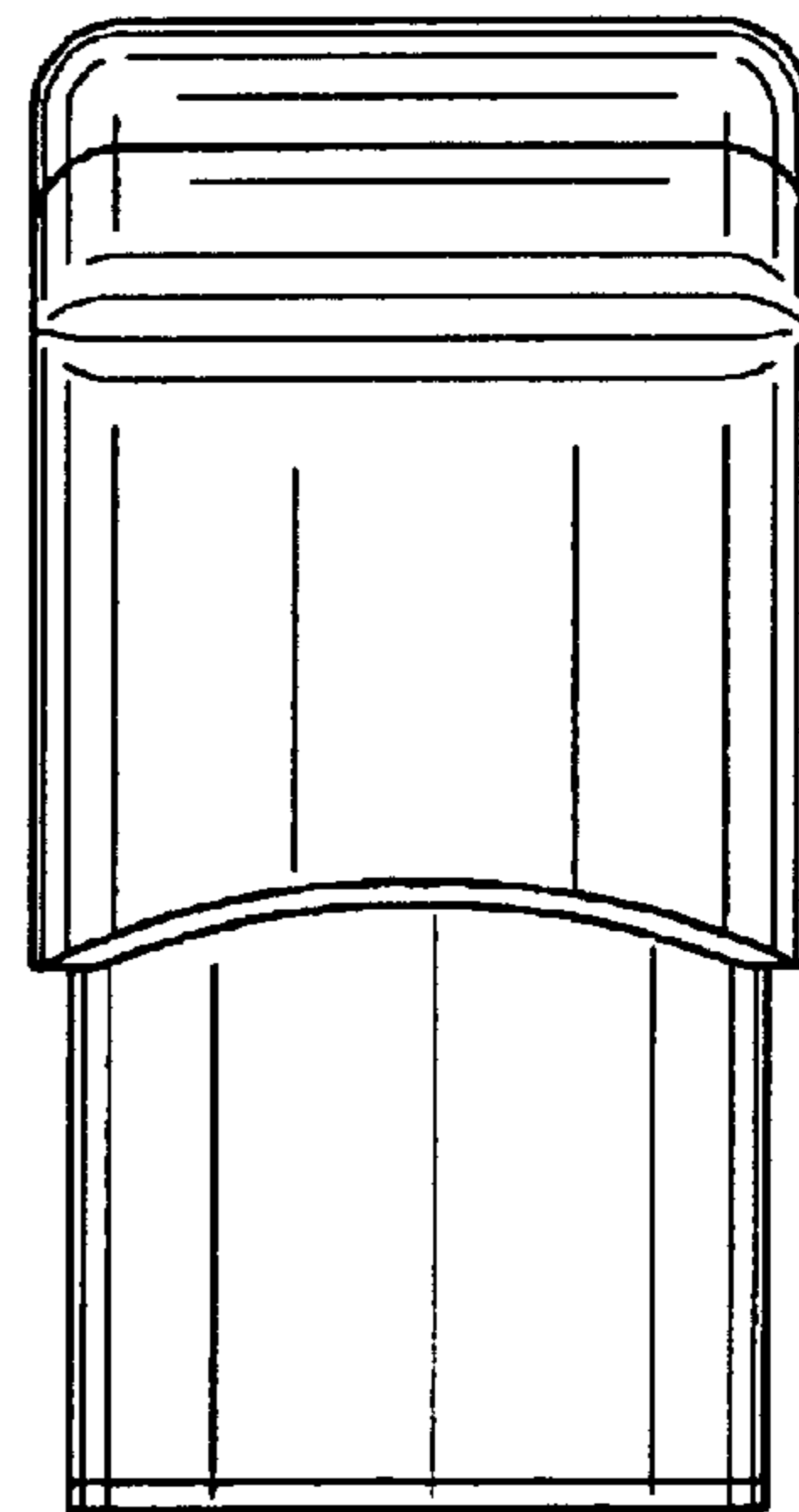


FIG. 3

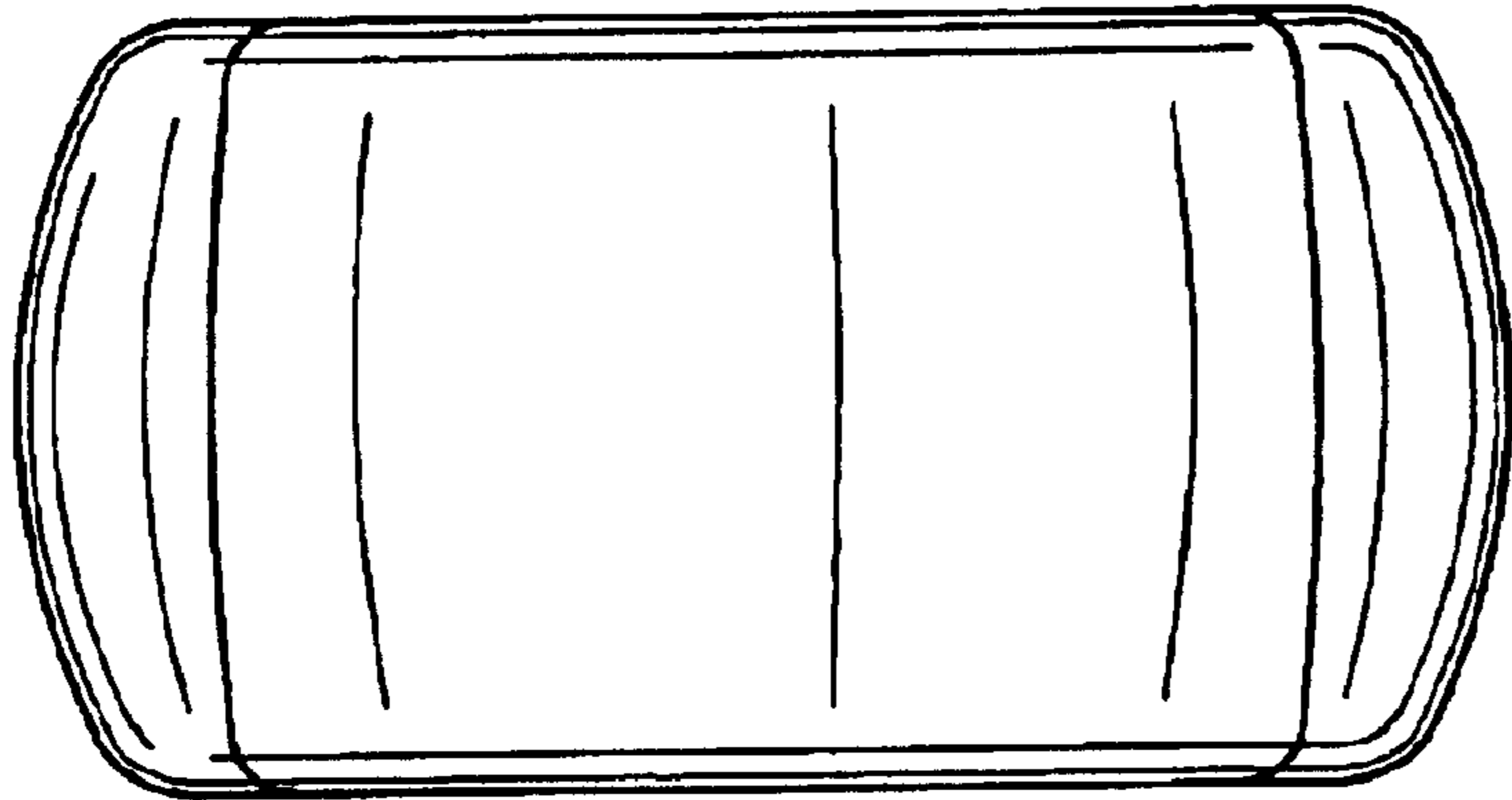


FIG. 4

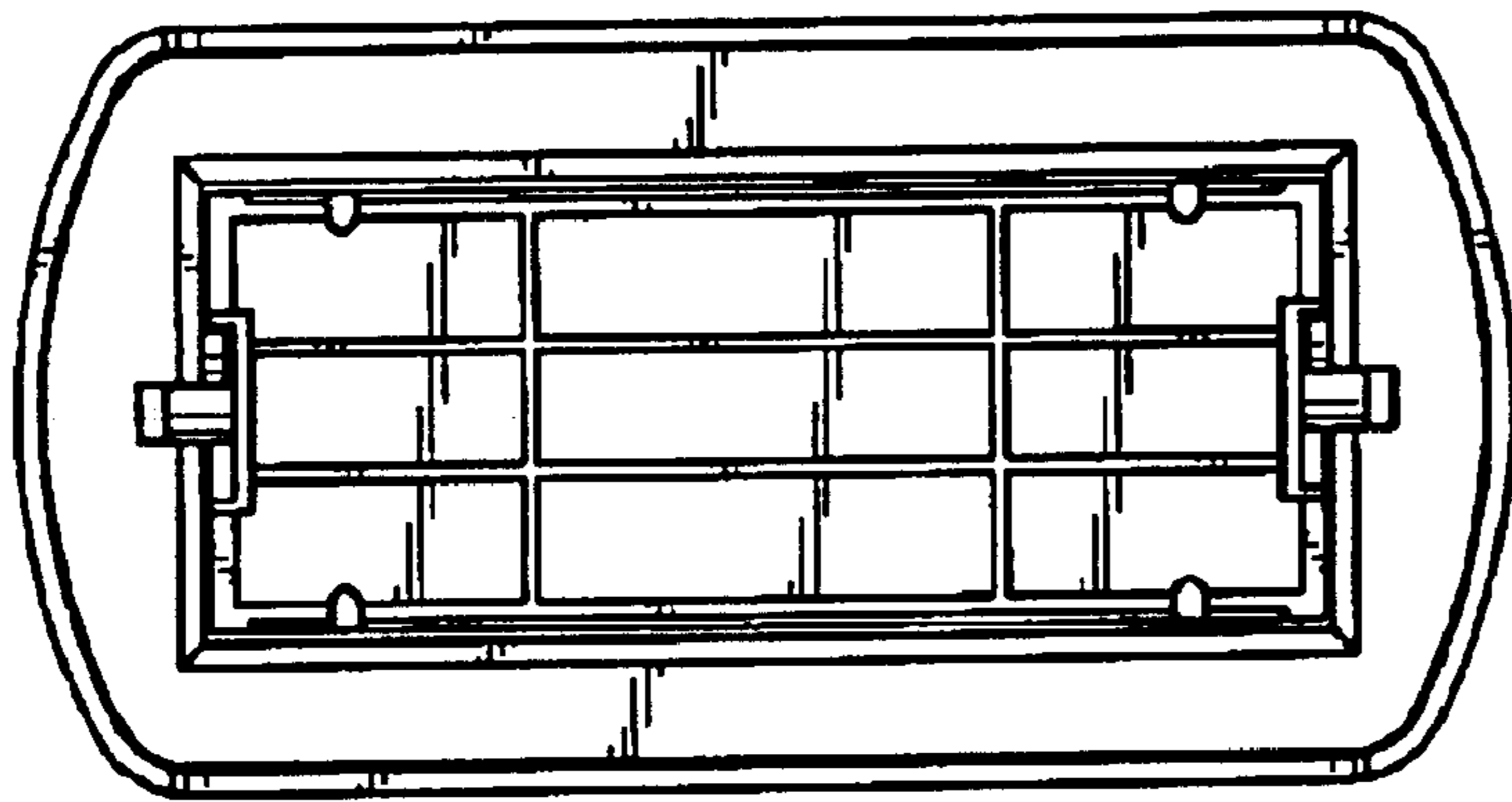


FIG. 5

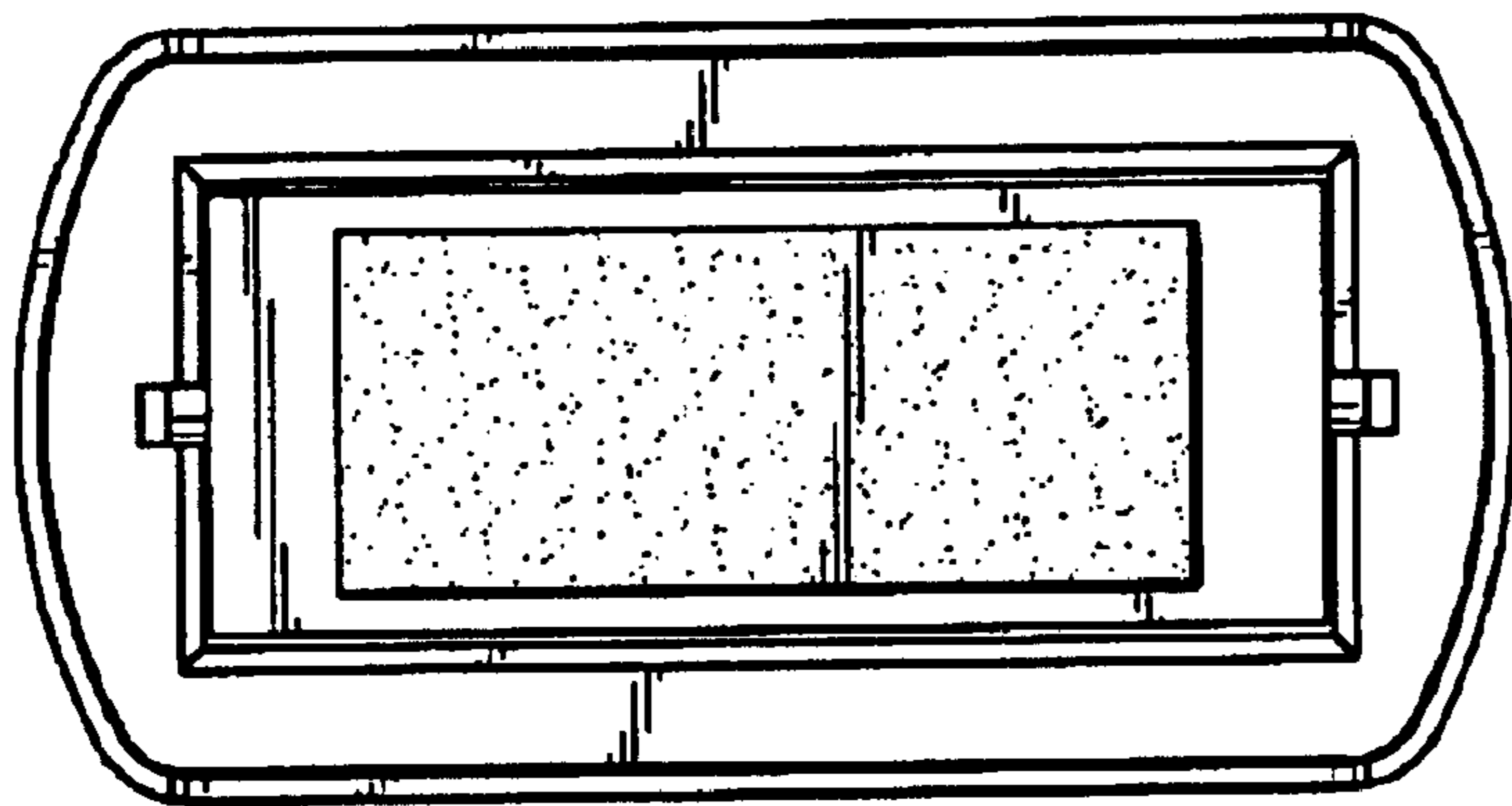


FIG. 9

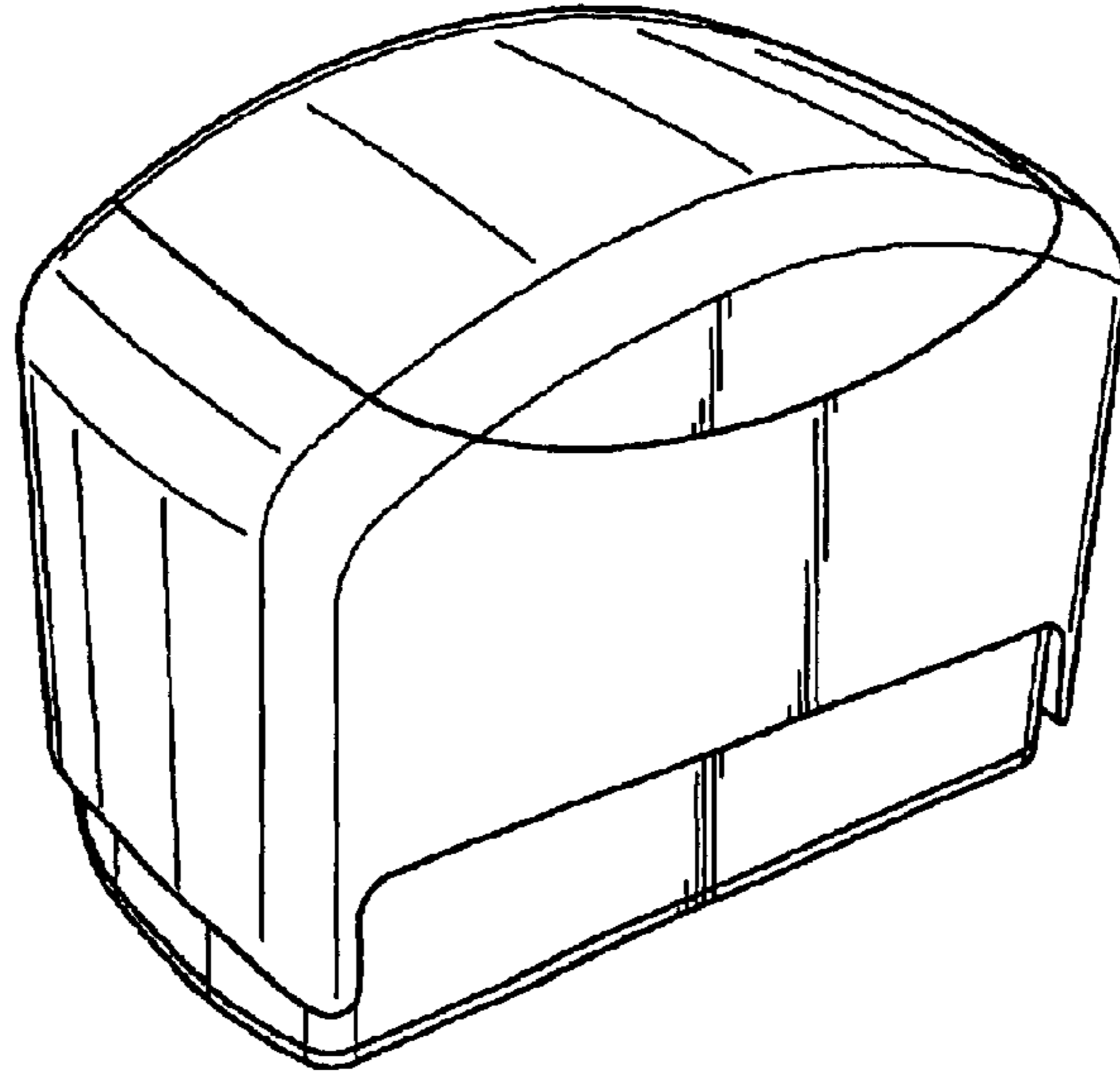


FIG. 6

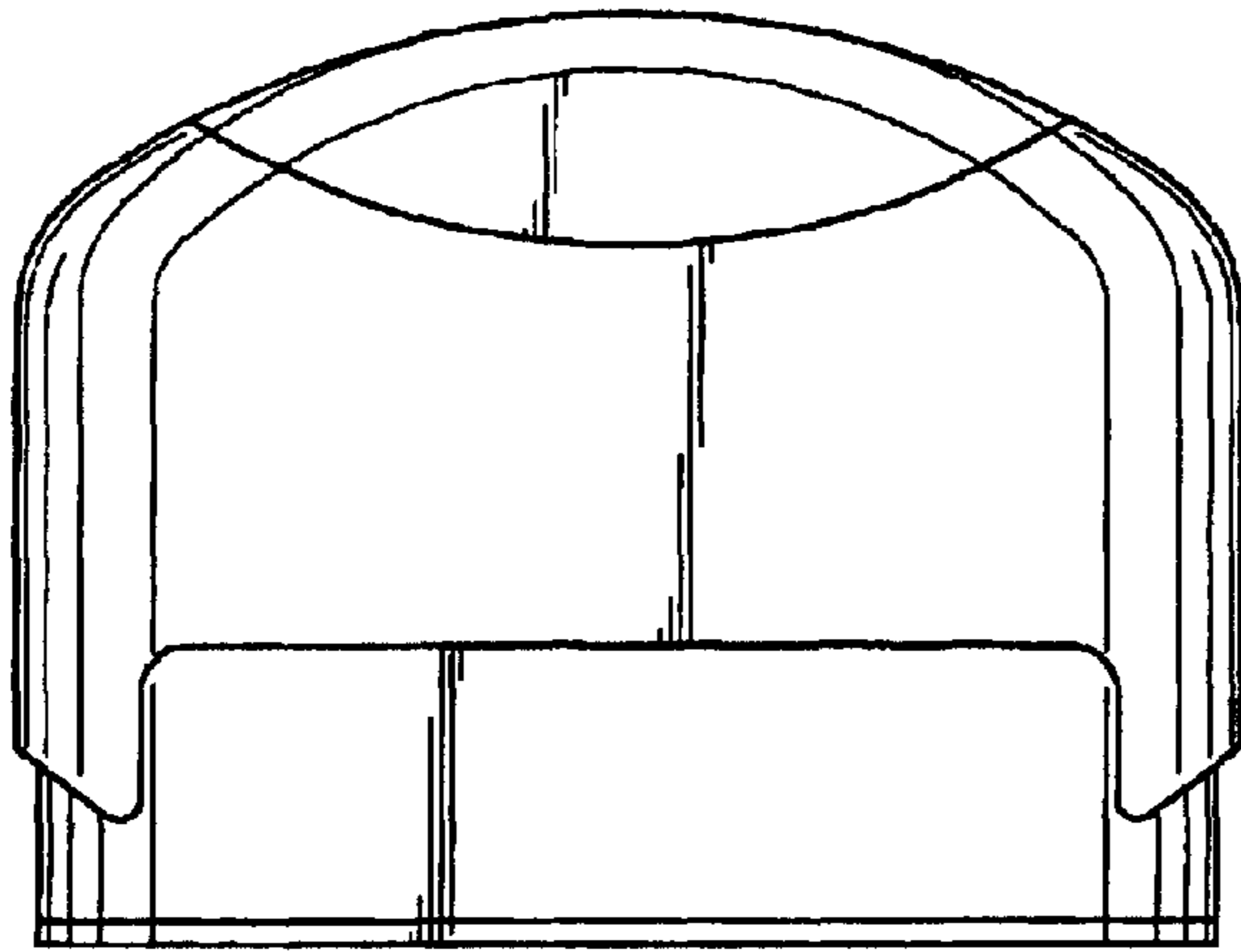


FIG. 7

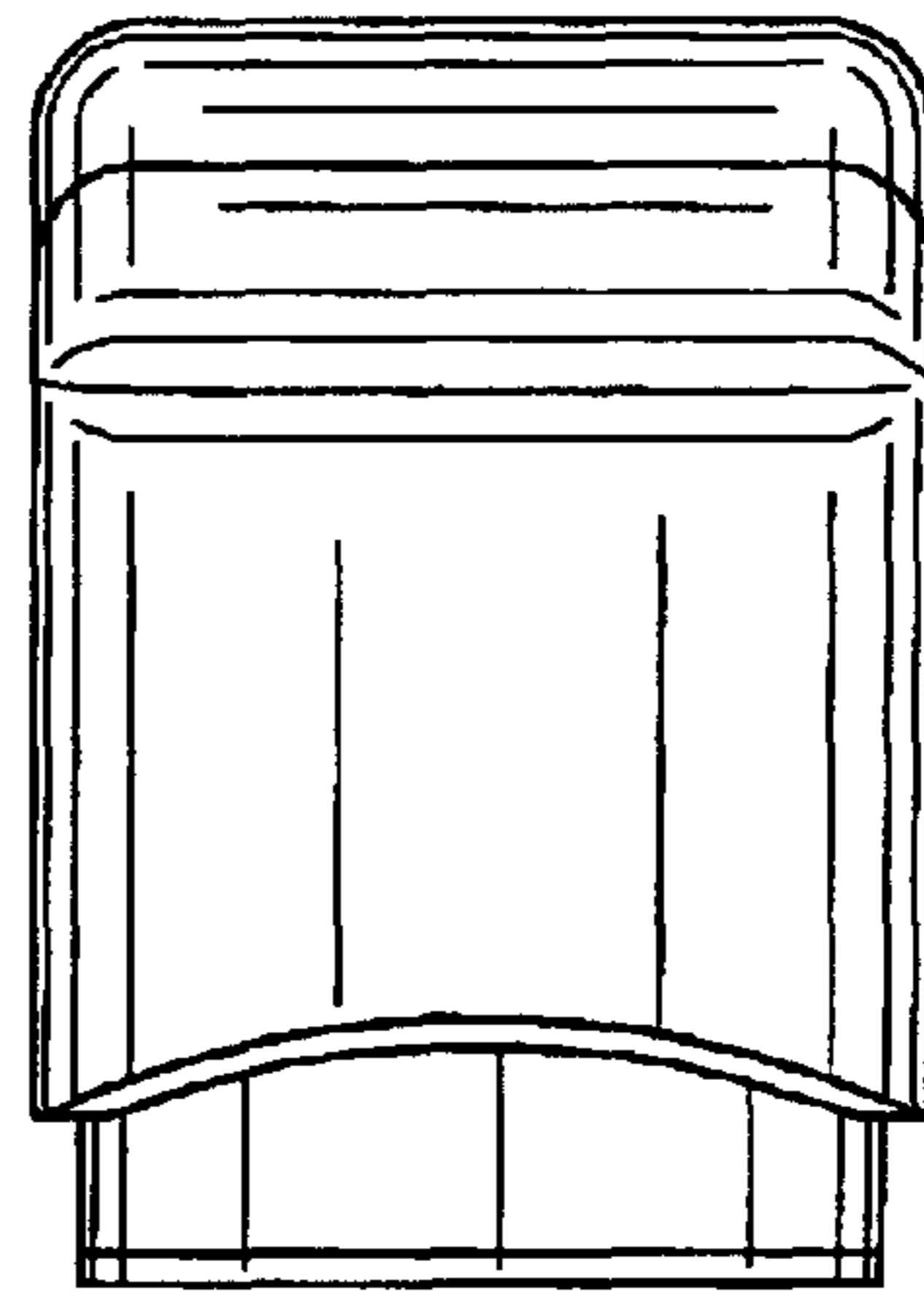


FIG. 8