



US00D492953S1

(12) **United States Design Patent**
Mitsuse

(10) **Patent No.:** **US D492,953 S**

(45) **Date of Patent:** **** Jul. 13, 2004**

(54) **DIGITAL CAMERA**

(75) **Inventor:** **Akinori Mitsuse, Fuchu (JP)**

(73) **Assignee:** **Olympus Corporation, Tokyo (JP)**

(**) **Term:** **14 Years**

(21) **Appl. No.:** **29/193,541**

(22) **Filed:** **Nov. 7, 2003**

Related U.S. Application Data

(62) Division of application No. 29/172,057, filed on Dec. 4, 2002, now Pat. No. Des. 486,844.

(30) **Foreign Application Priority Data**

Sep. 24, 2002 (JP) 2002-026045
Sep. 24, 2002 (JP) 2002-026046
Sep. 24, 2002 (JP) 2002-026053

(51) **LOC (7) Cl.** **16-05**

(52) **U.S. Cl.** **D16/219; D16/202; D16/212**

(58) **Field of Search** **D16/200-205,**
D16/208, 211, 212, 218, 219; 348/373-376;
358/906, 909.1; 396/348, 349, 448, 535,
536-541

(56) **References Cited**

U.S. PATENT DOCUMENTS

5,701,533 A 12/1997 Suzuki et al. 396/349
5,708,891 A 1/1998 Ando et al. 396/448
D412,518 S 8/1999 Naito D16/212

D449,324 S 10/2001 Iue et al. D16/202
D449,329 S * 10/2001 Suzuki et al. D16/219
D449,633 S * 10/2001 Suzuki et al. D16/219
D452,519 S * 12/2001 Suzuki D16/219
D462,080 S * 8/2002 Suzuki et al. D16/219
D467,953 S 12/2002 Suzuki et al. D16/202
D486,166 S * 2/2004 Suzuki D16/202

* cited by examiner

Primary Examiner—Adir Aronovich

(74) *Attorney, Agent, or Firm*—Hogan & Hartson LLP

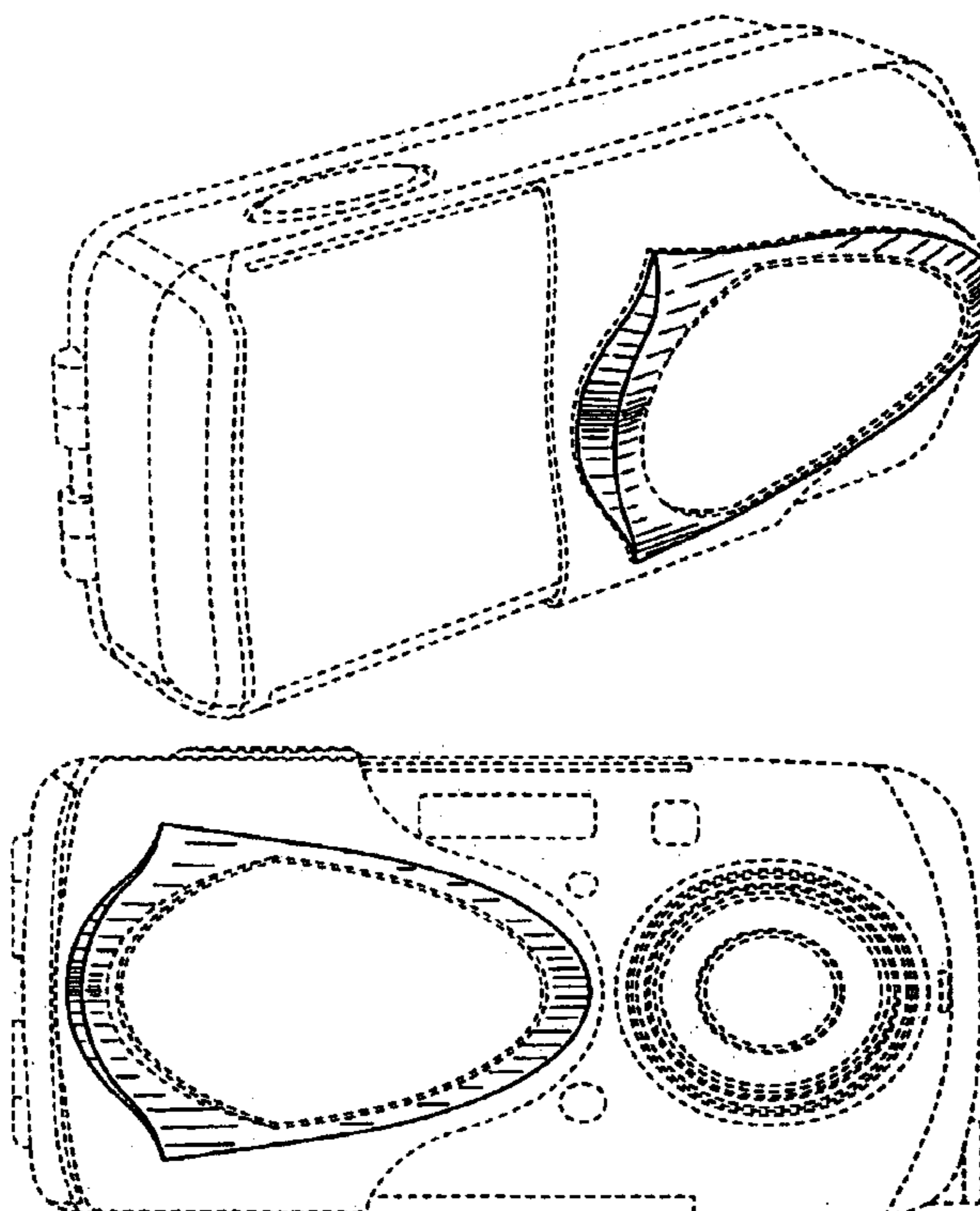
(57) **CLAIM**

The ornamental design for a digital camera, as shown and described.

DESCRIPTION

FIG. 1 is a front and left side perspective view of a digital camera showing my new design;
FIG. 2 is a rear and right side perspective view thereof;
FIG. 3 is a front elevational view thereof;
FIG. 4 is a rear elevational view thereof;
FIG. 5 is a top plan view thereof;
FIG. 6 is a bottom plan view thereof;
FIG. 7 is a right side elevational view thereof;
FIG. 8 is a left side elevational view thereof; and,
FIG. 9 is a front elevational view thereof, with a lens barrier in an opened state.
The portions of the article in broken lines are shown for illustrative purposes only and form no part of the claimed design.

1 Claim, 6 Drawing Sheets



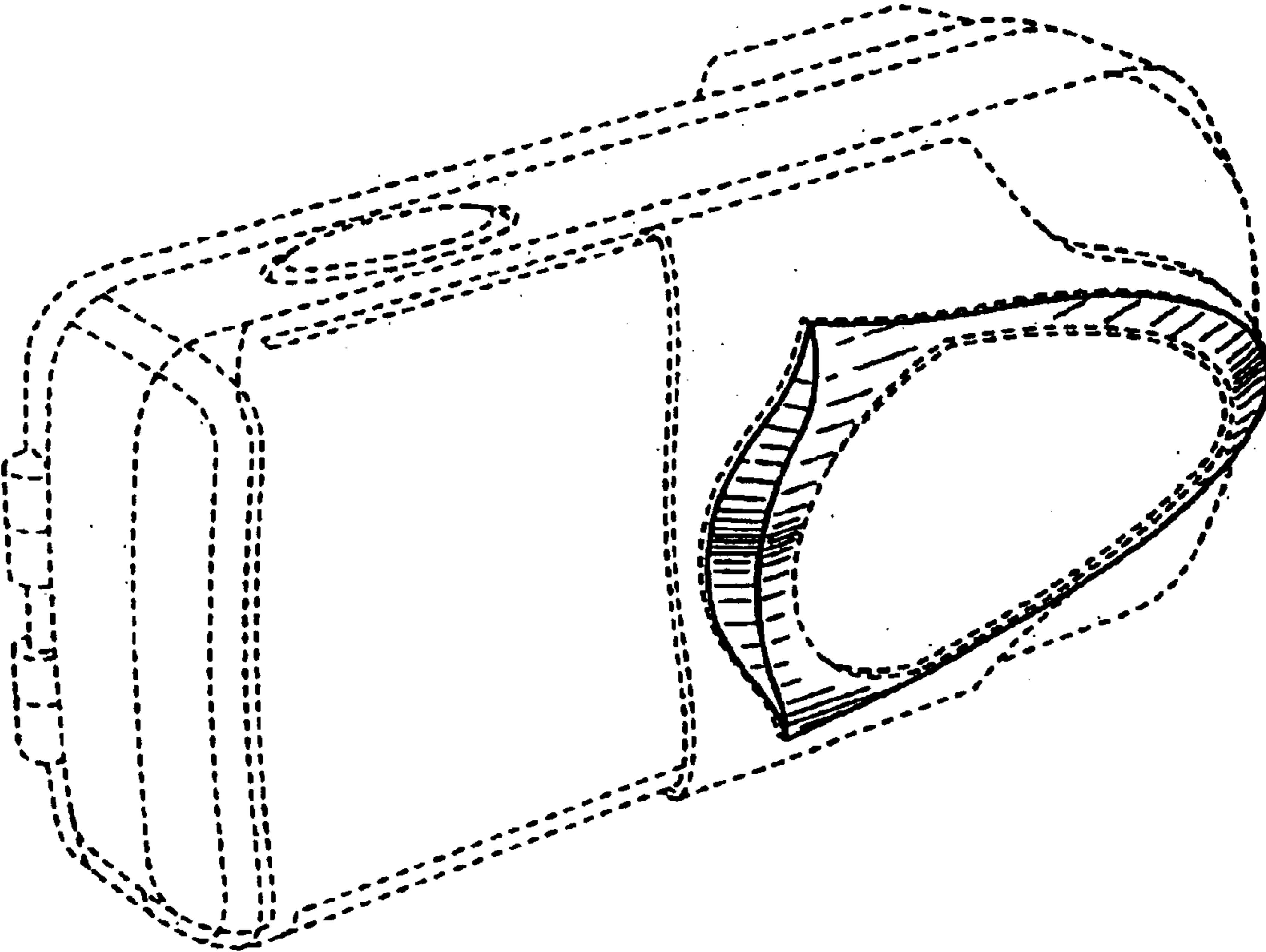


FIG. 1

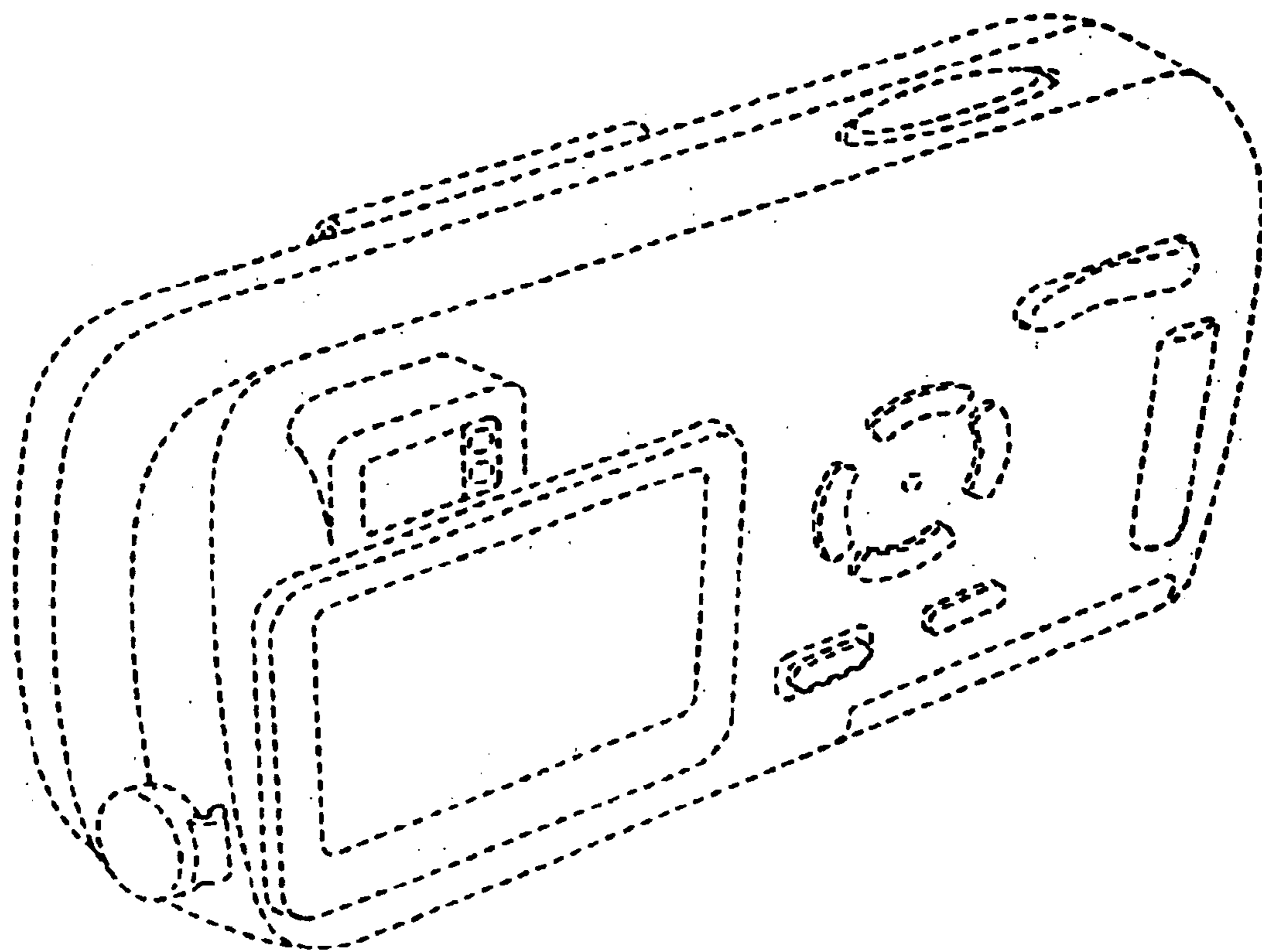


FIG. 2

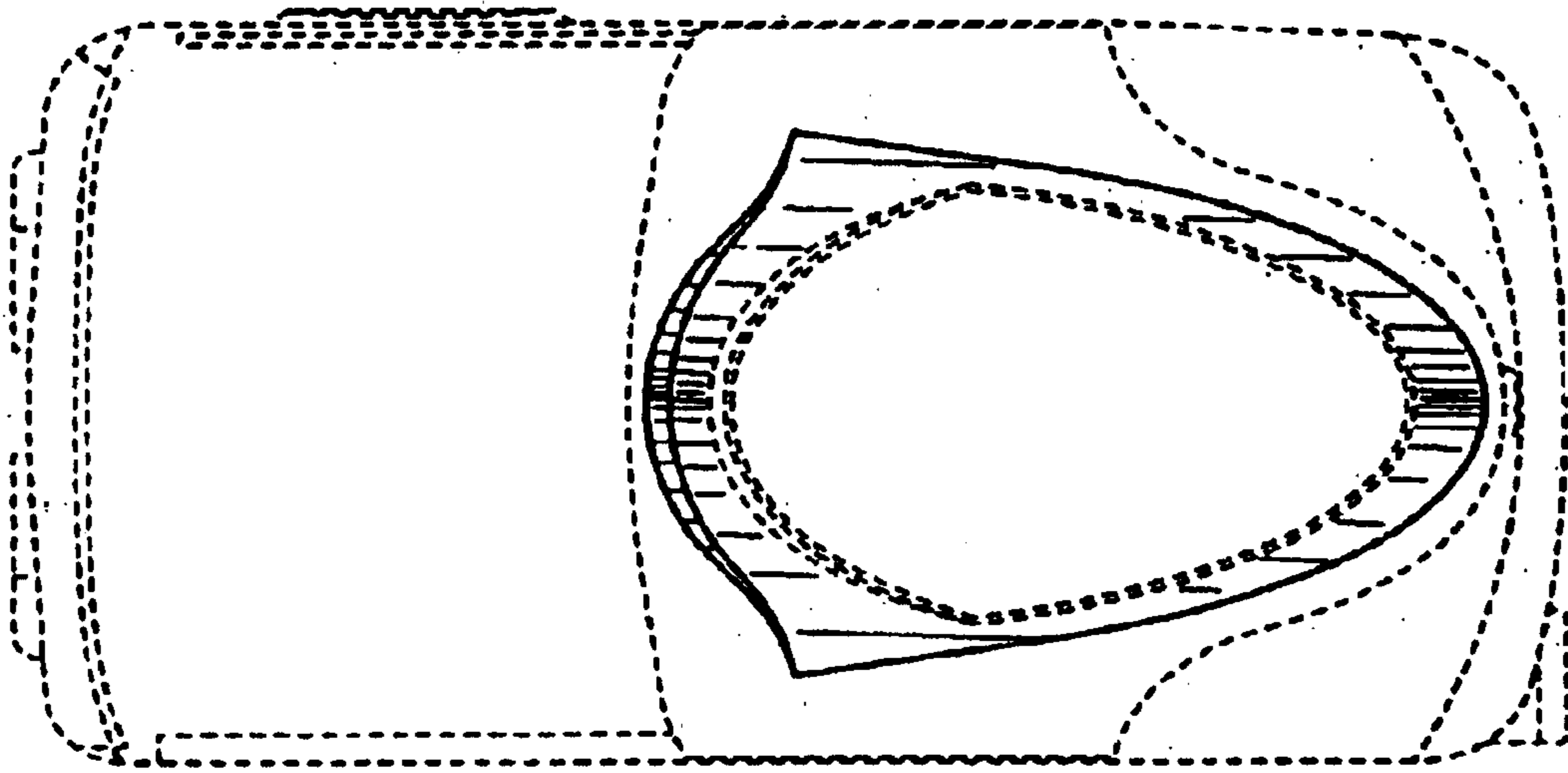


FIG. 3

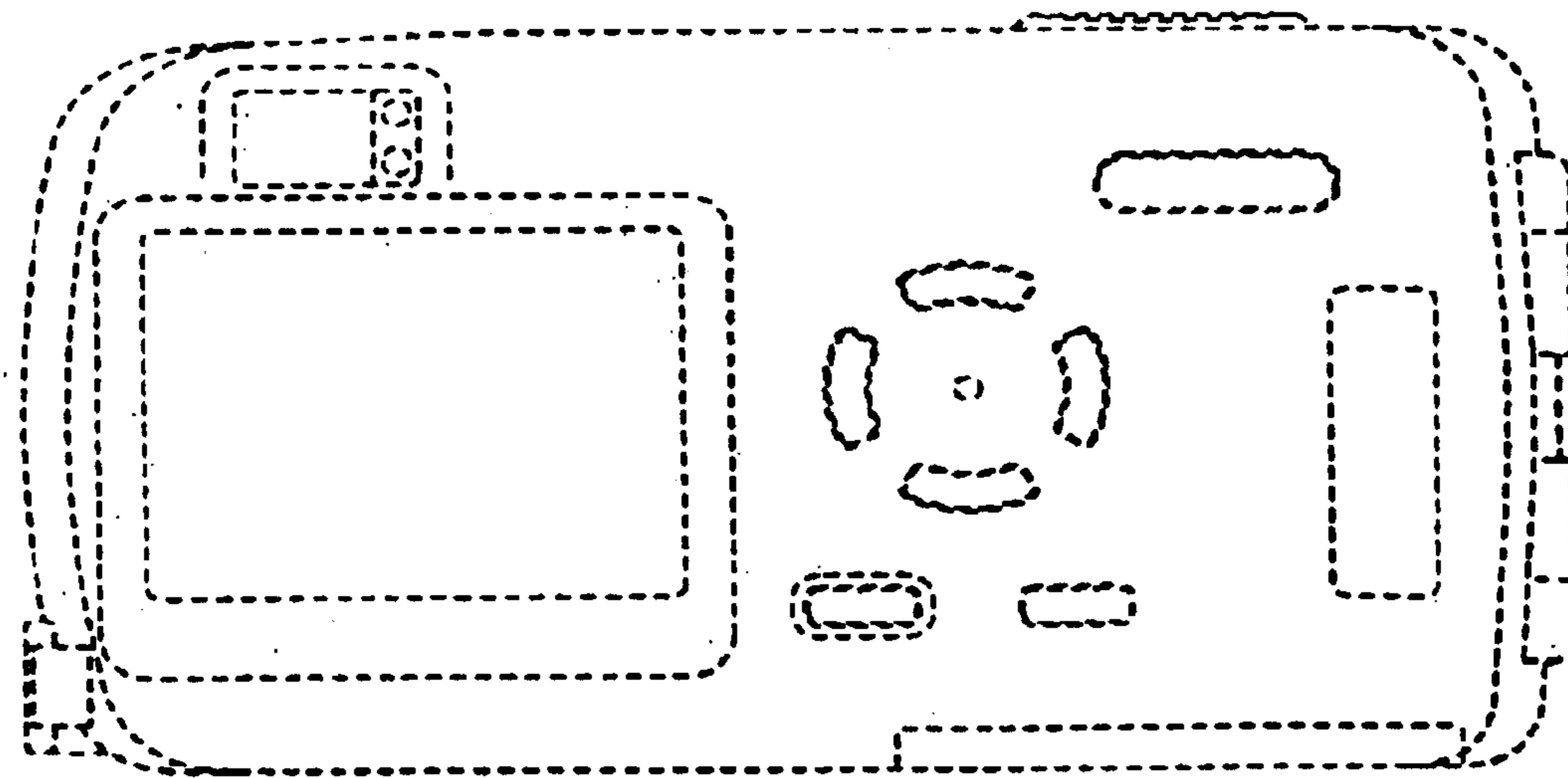


FIG. 4

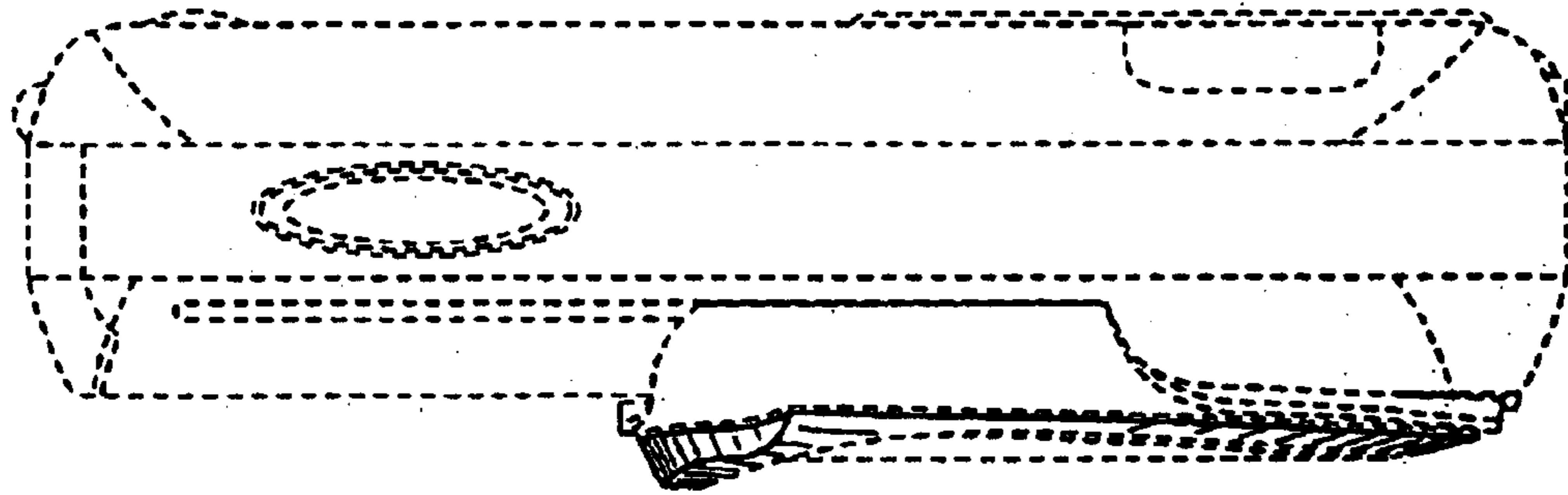


FIG. 5

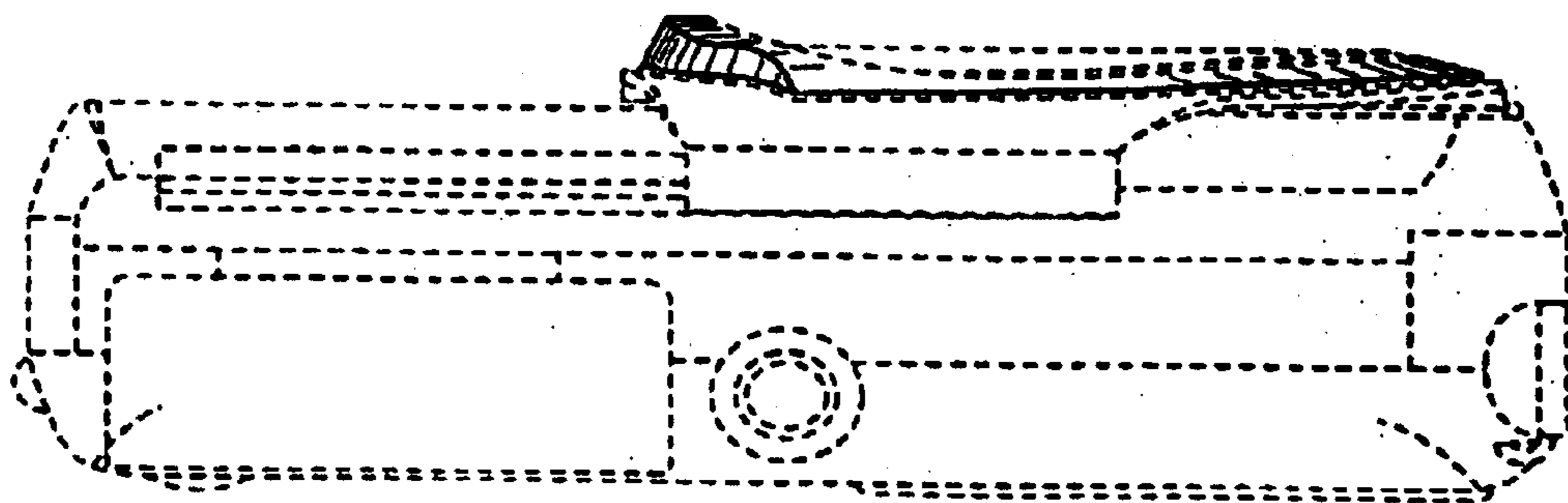


FIG. 6

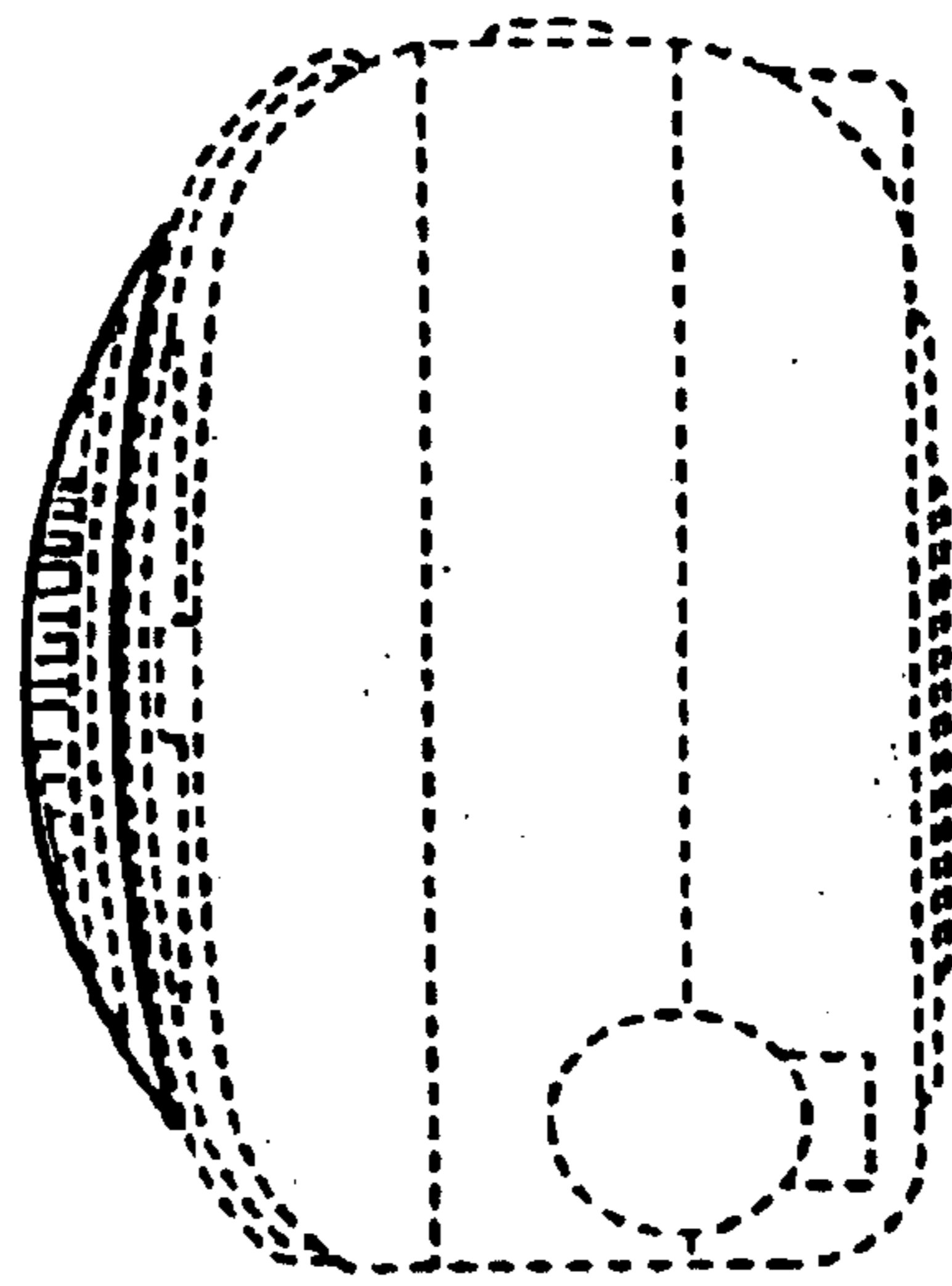


FIG. 7

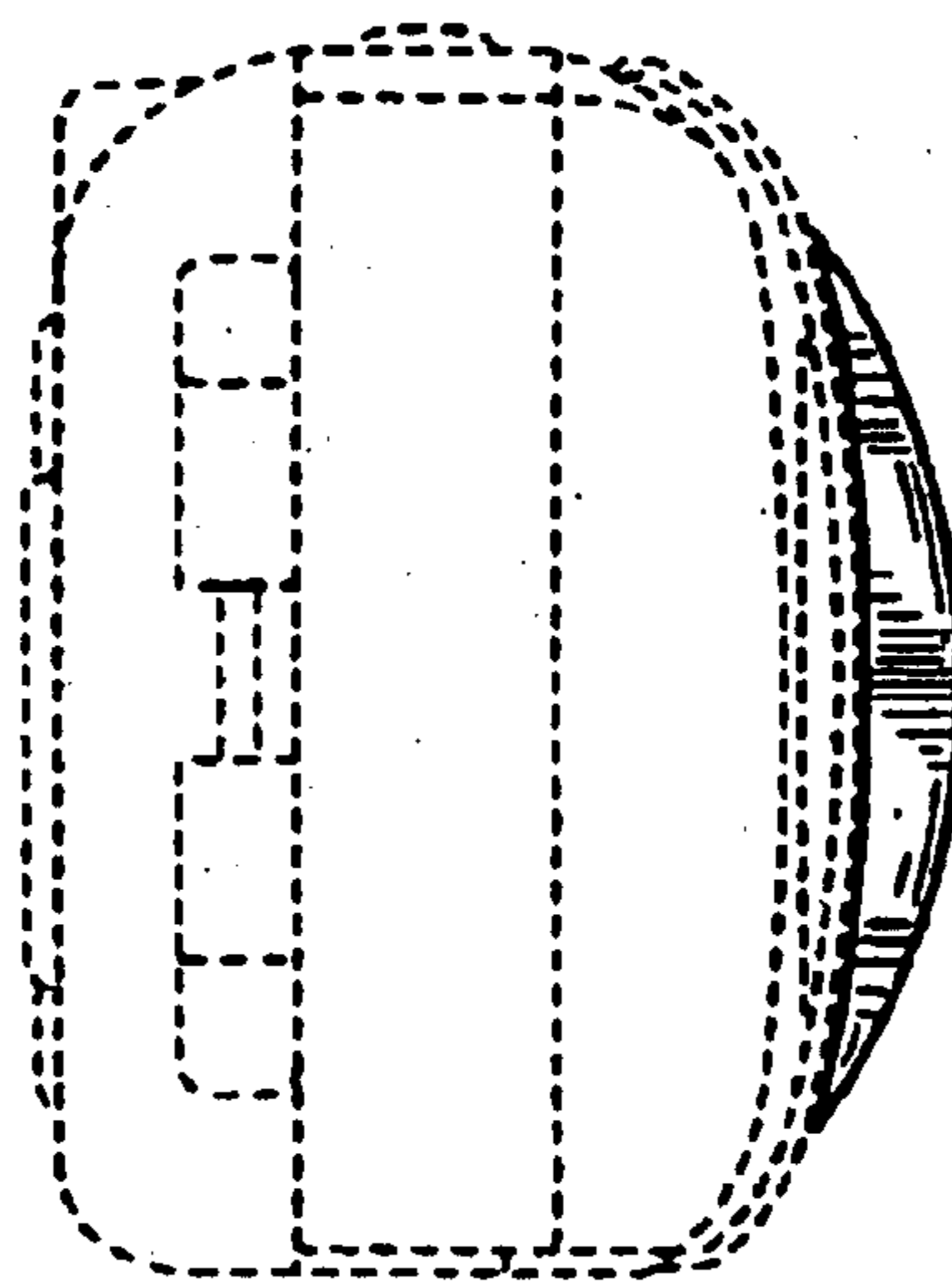


FIG. 8

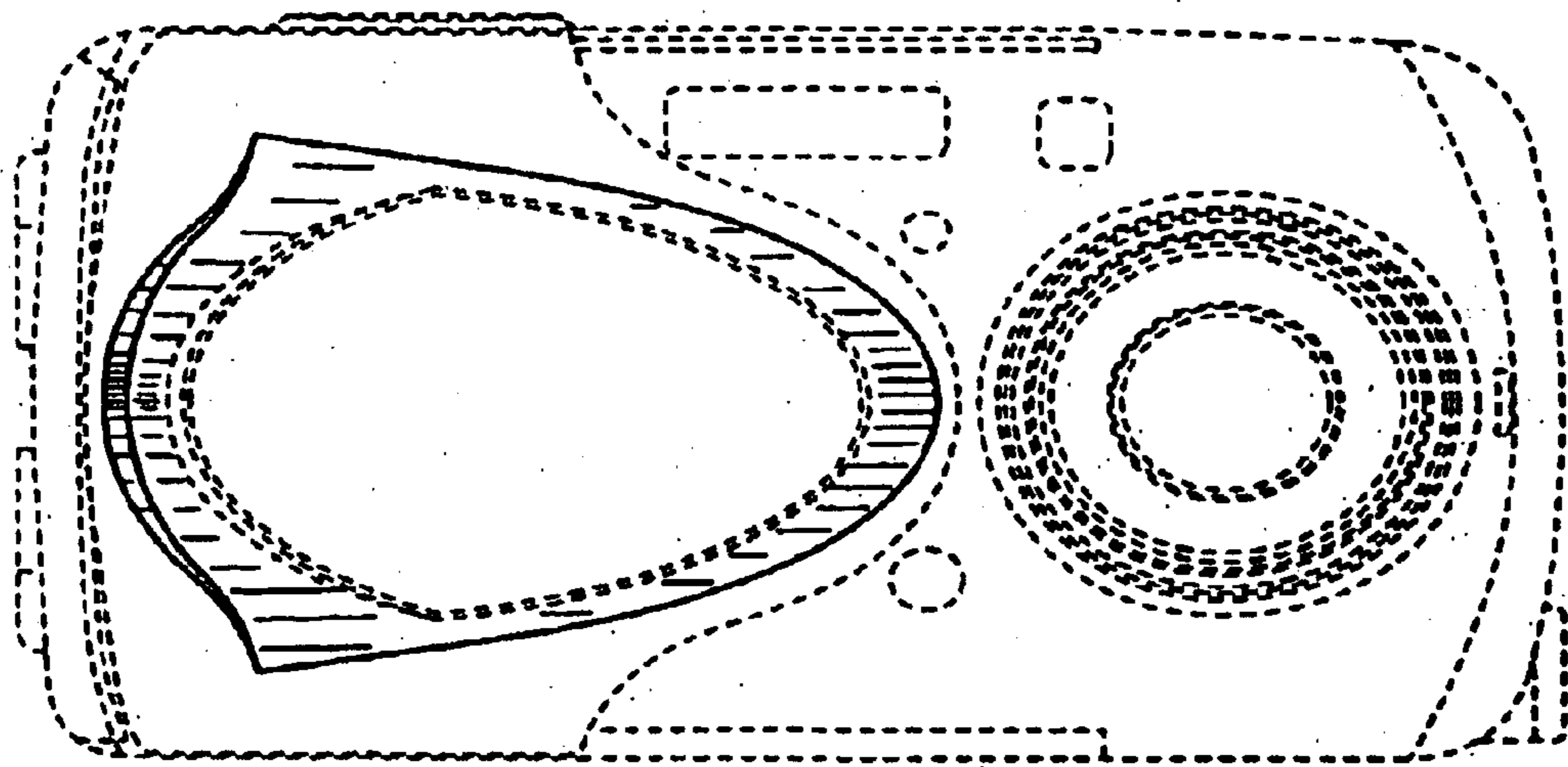


FIG. 9