



US00D492952S1

(12) **United States Design Patent**
Siu

(10) **Patent No.:** **US D492,952 S**
(45) **Date of Patent:** **** Jul. 13, 2004**

- (54) **WATCH WINDING MACHINE**
- (75) **Inventor:** **Tze Sing Siu, Kowloon (CN)**
- (73) **Assignee:** **Everwell Instruments Limited, Kowloon (HK)**
- (**) **Term:** **14 Years**
- (21) **Appl. No.:** **29/186,184**
- (22) **Filed:** **Jul. 11, 2003**
- (51) **LOC (7) Cl.** **15-99**
- (52) **U.S. Cl.** **D15/199**
- (58) **Field of Search** **D15/199; 368/10, 368/206-209; 366/14; 81/7.5**

(56) **References Cited**

U.S. PATENT DOCUMENTS

D455,449 S	*	4/2002	Siu	D15/199
6,439,761 B1	*	8/2002	Agnoff	368/206
6,543,929 B1	*	4/2003	Agnoff	368/206
D474,216 S	*	5/2003	Siu	D15/199

* cited by examiner

Primary Examiner—Antoine D. Davis
(74) *Attorney, Agent, or Firm*—Alix, Yale & Ristas, LLP

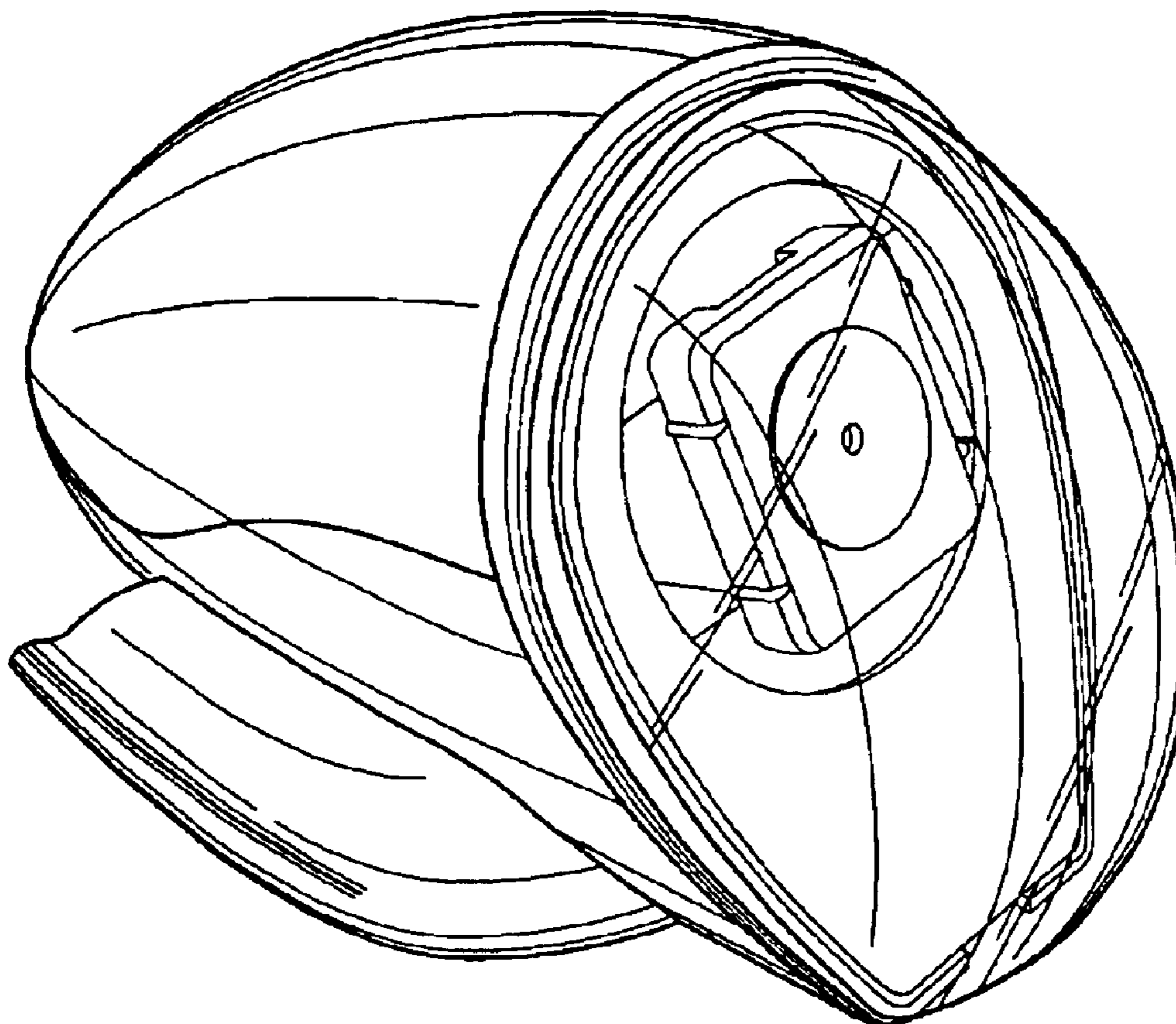
(57) **CLAIM**

The ornamental design for a watch winding machine, as shown and described.

DESCRIPTION

FIG. 1 is a generally frontal perspective view of the watch winding machine showing my new design;
 FIG. 2 is a front view of the watch winding machine of FIG. 1;
 FIG. 3 is a top plan view of the watch winding machine of FIG. 1;
 FIG. 4 is a left side view of the watch winding machine of FIG. 1;
 FIG. 5 is a right side view of the watch winding machine of FIG. 1;
 FIG. 6 is a rear view of the watch winding machine of FIG. 1;
 FIG. 7 is a bottom plan view of the watch winding machine of FIG. 1; and,
 FIG. 8 is a generally frontal perspective view of the watch winding machine of FIG. 1 with the cover separated.

1 Claim, 5 Drawing Sheets



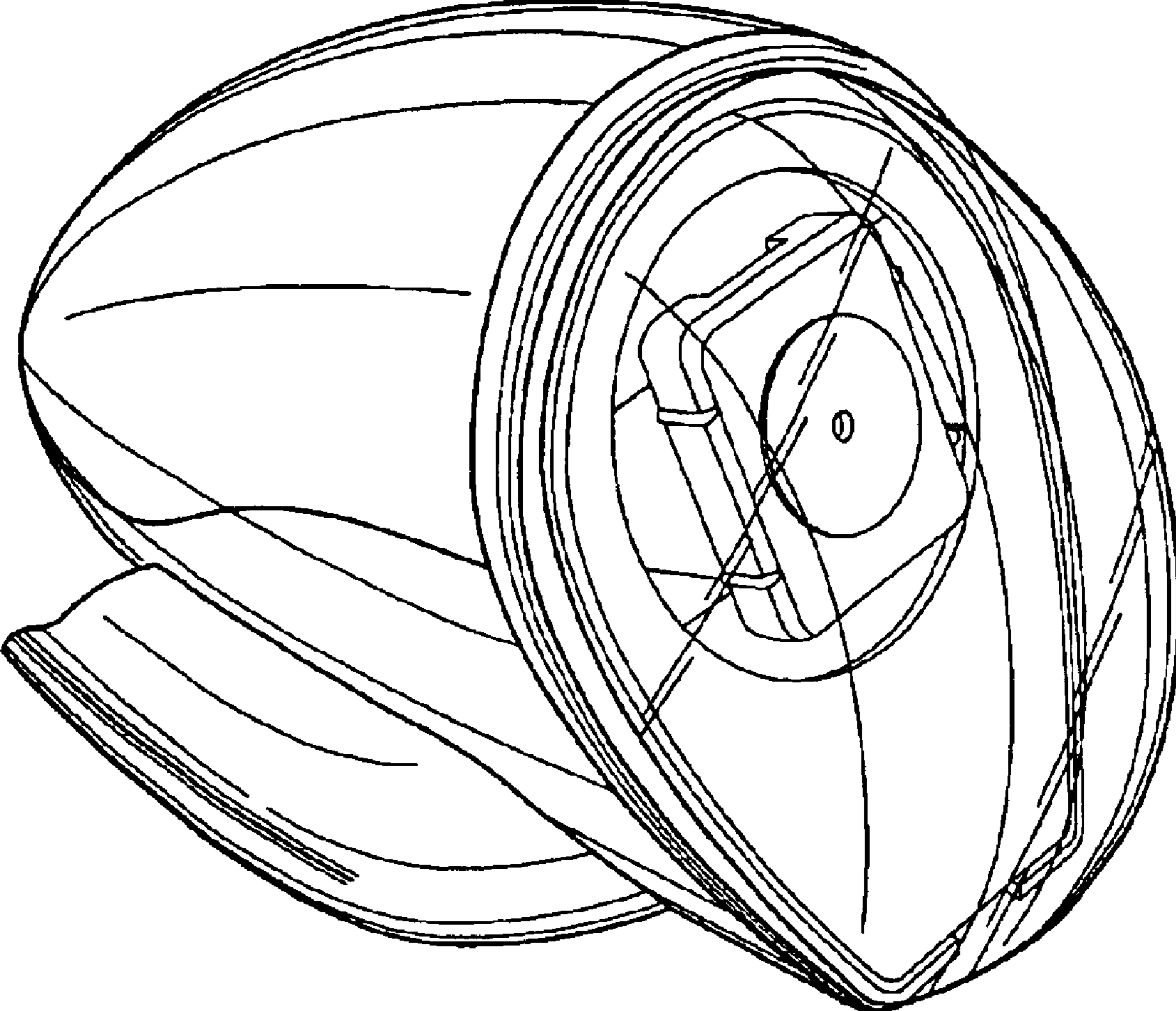


FIG. 1

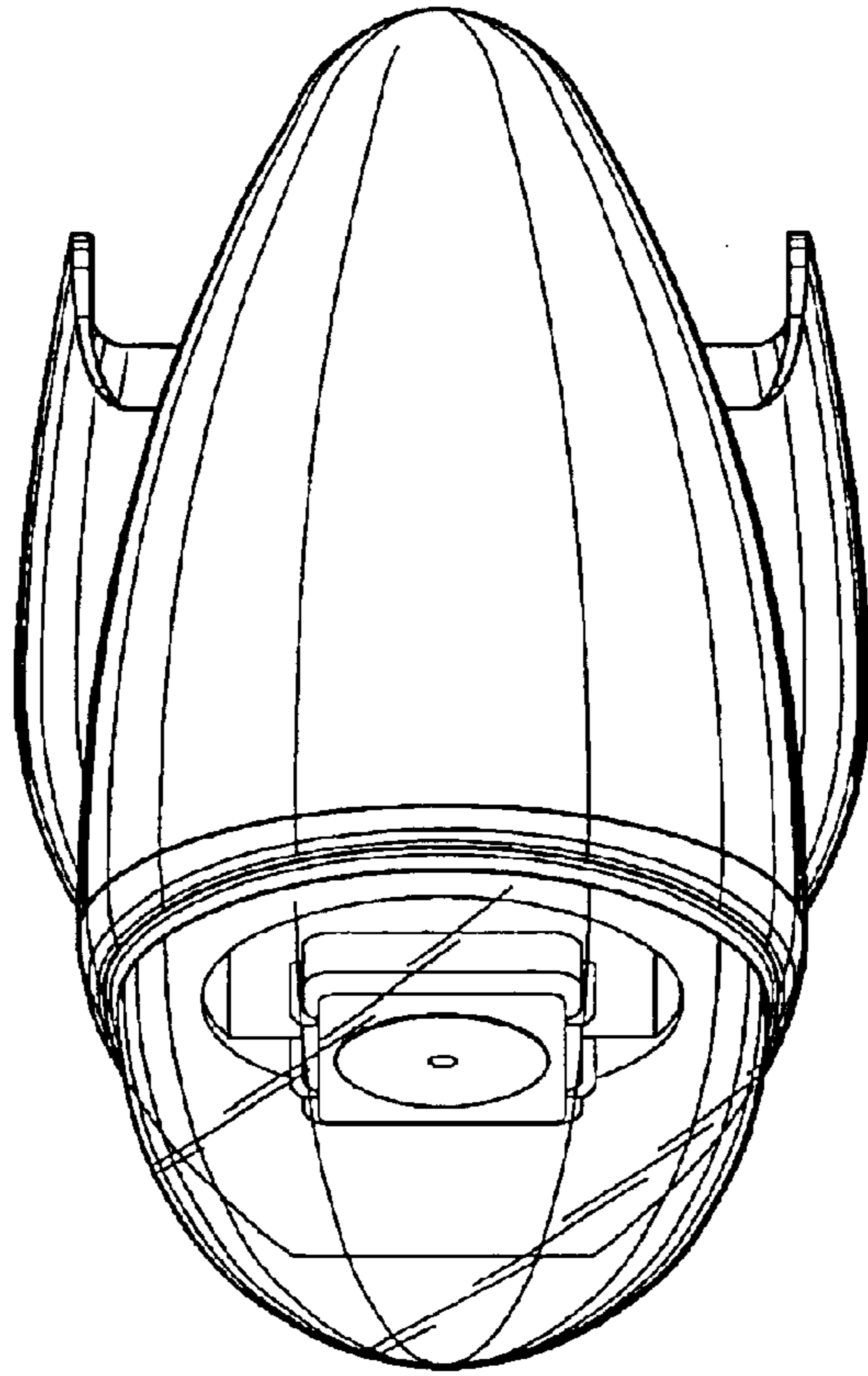


FIG. 3

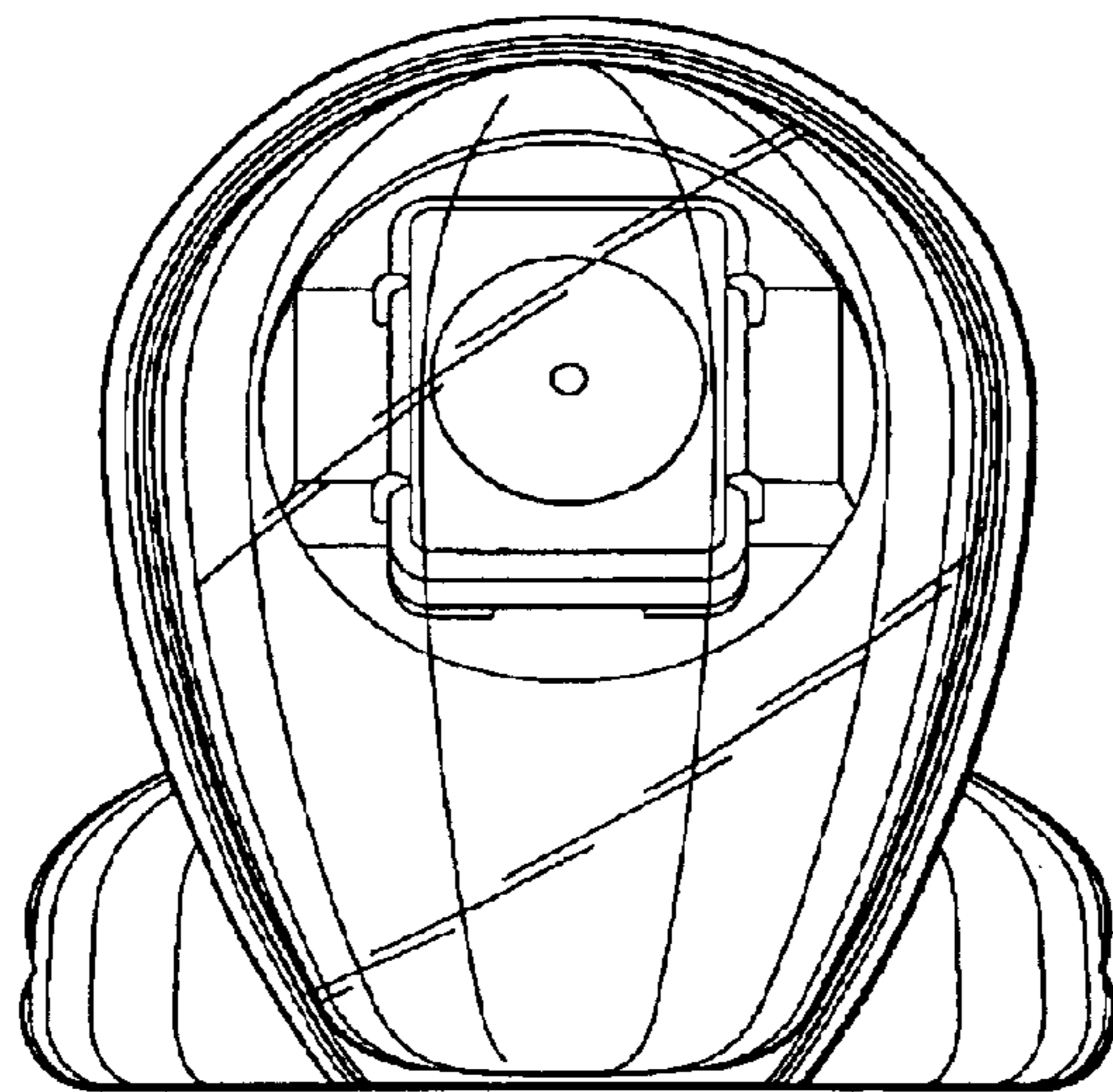


FIG. 2

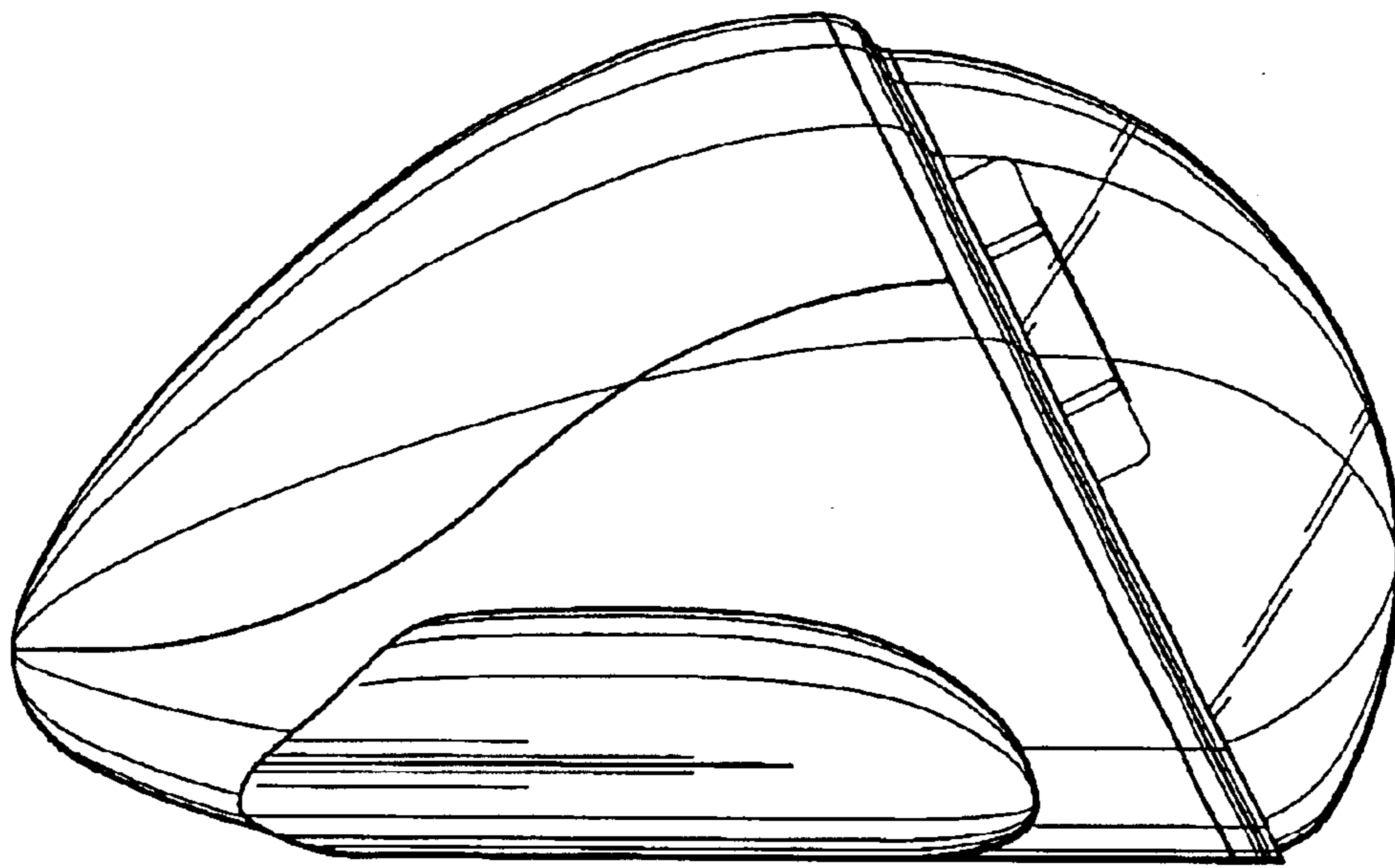


FIG. 4

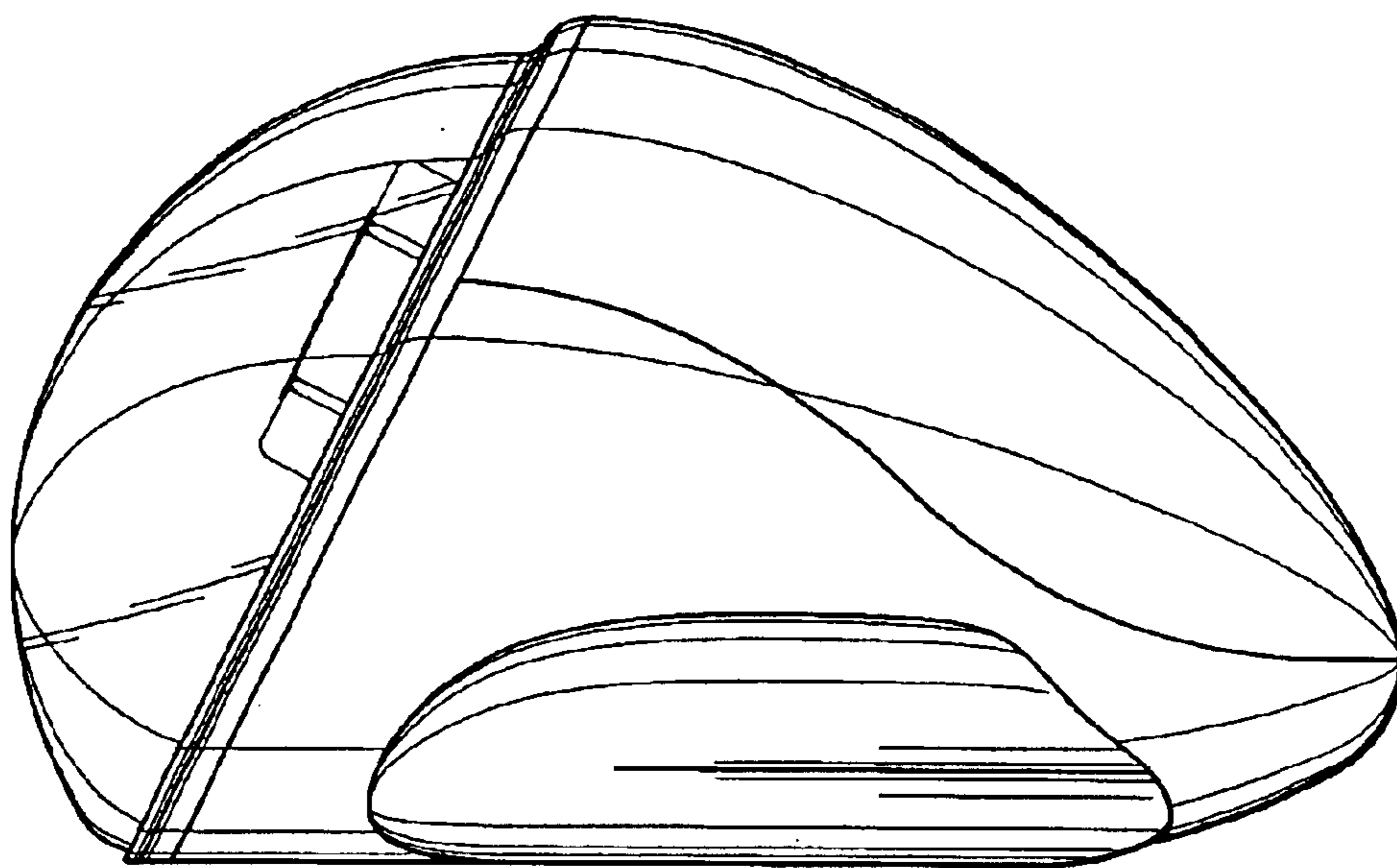


FIG. 5

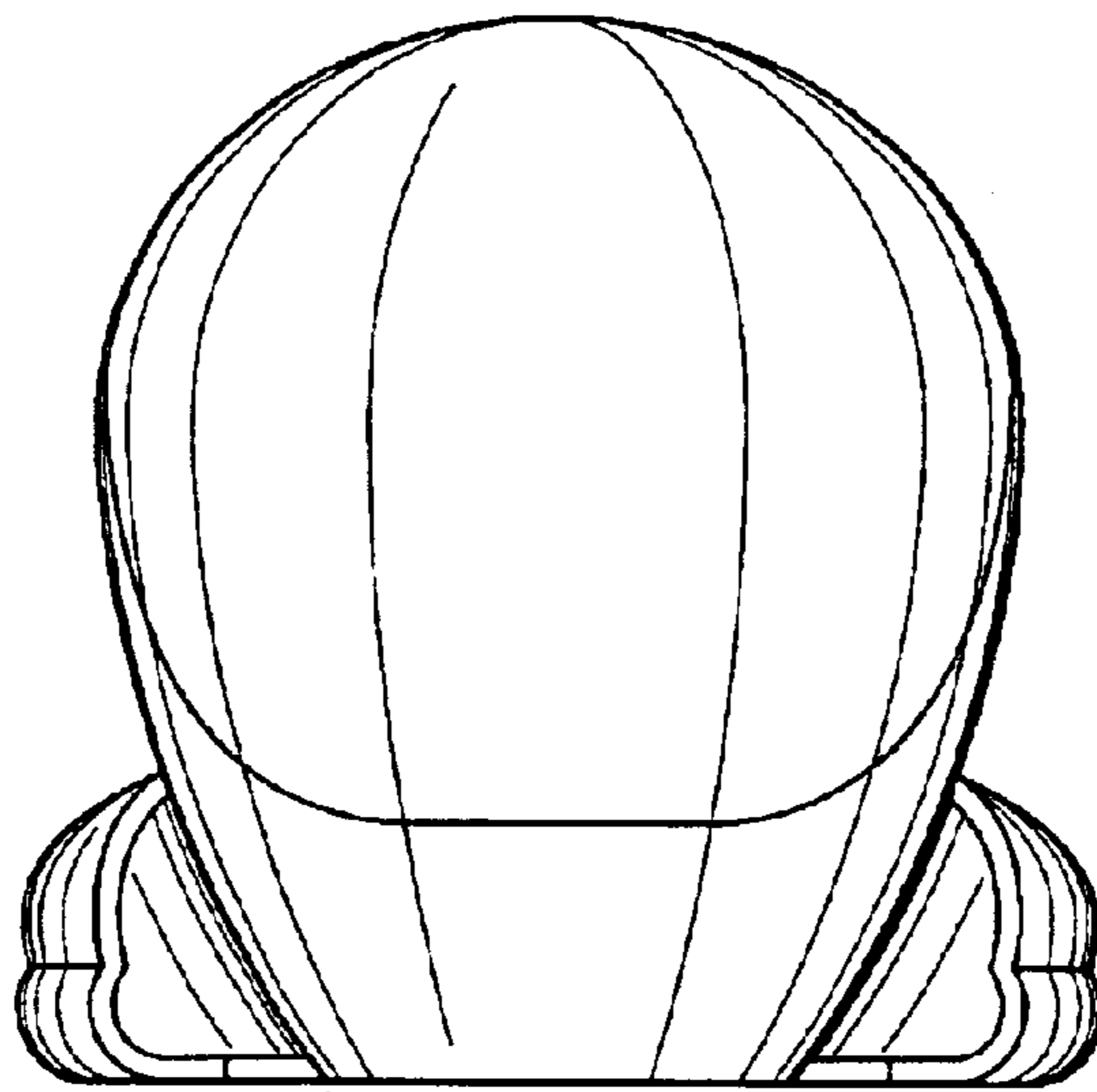


FIG. 6

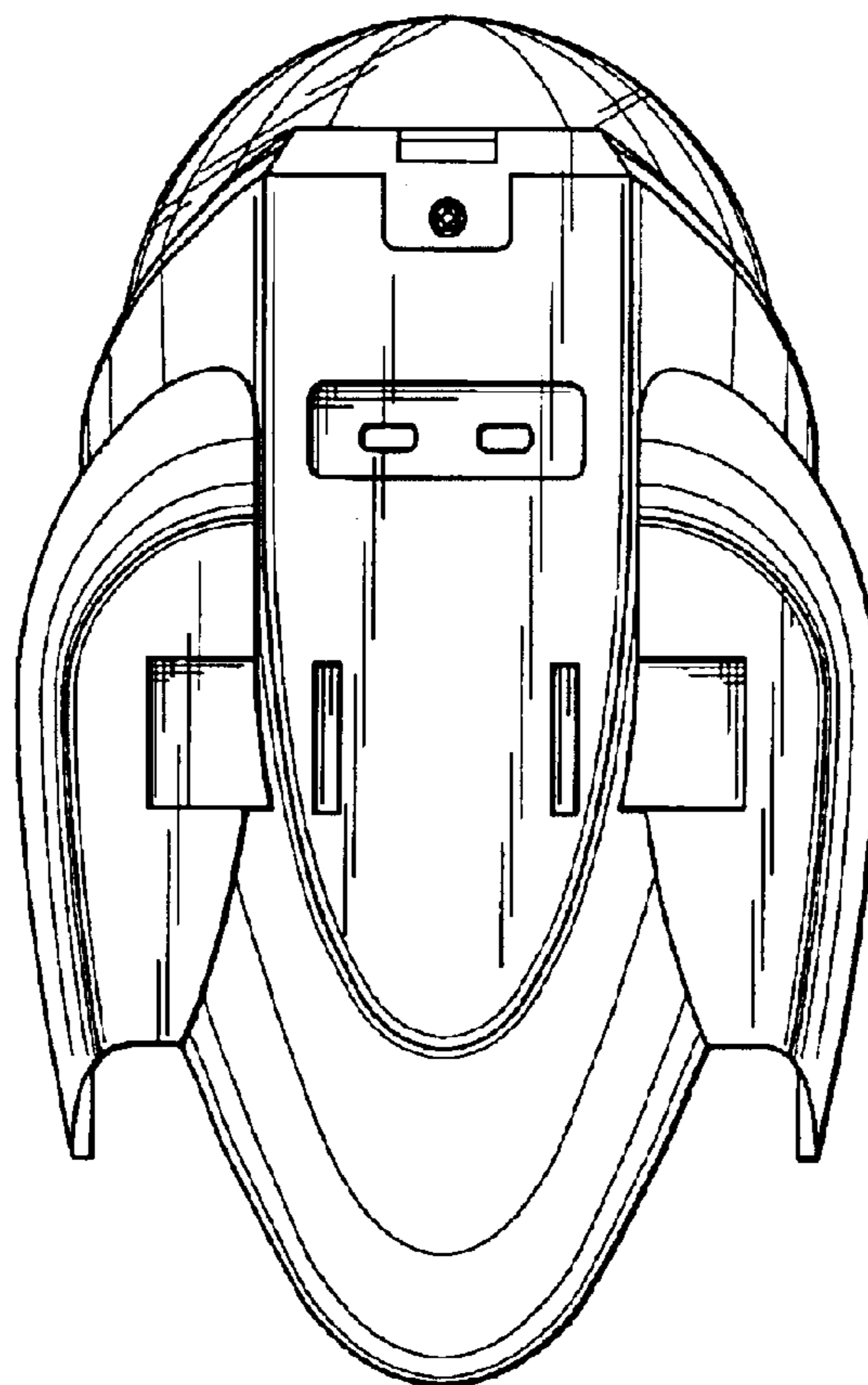


FIG. 7

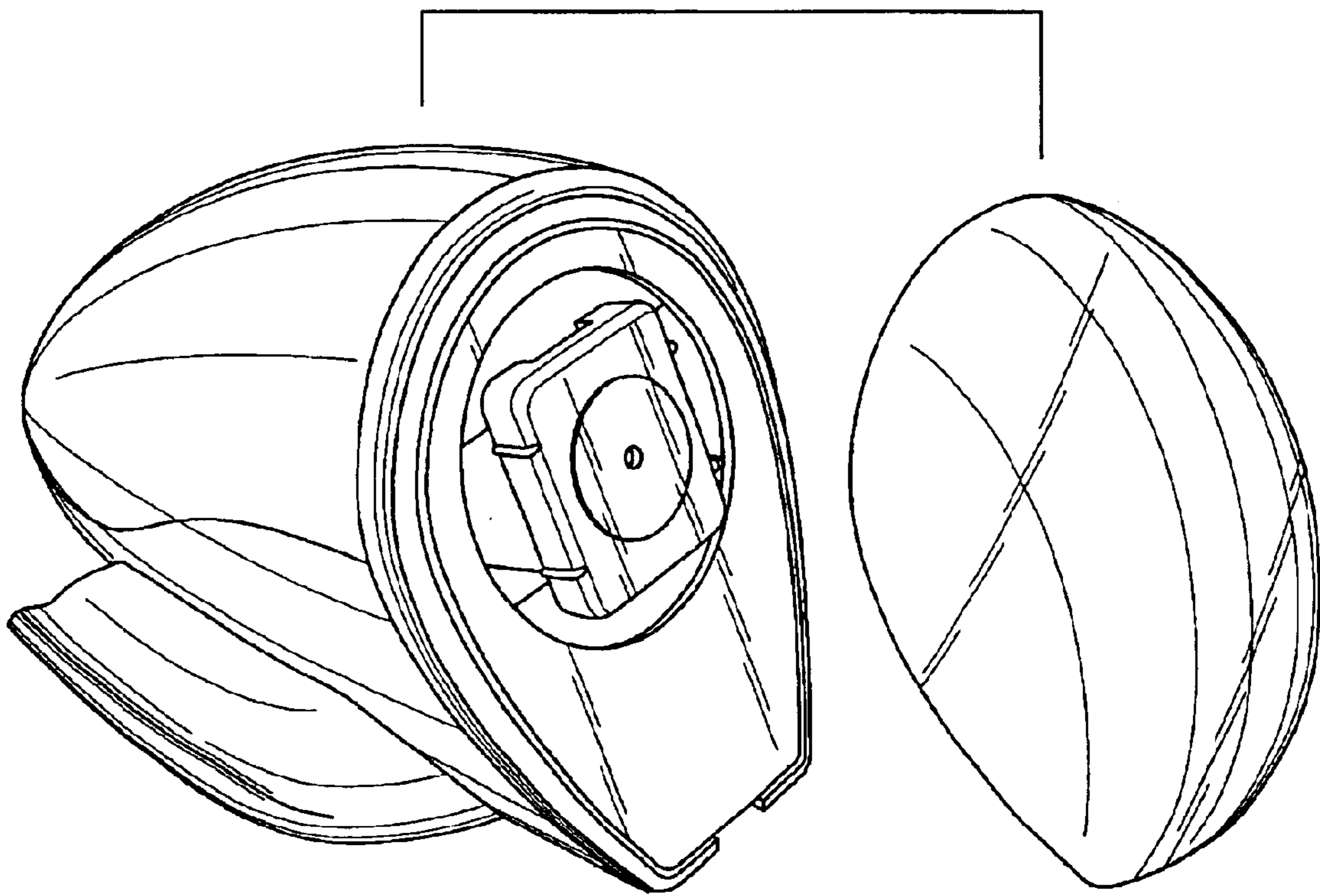


FIG. 8