

US00D492951S1

(12) **United States Design Patent**
Caluori

(10) **Patent No.:** **US D492,951 S**
(45) **Date of Patent:** **** Jul. 13, 2004**

(54) **ROTARY SAW CUT ALIGNMENT GUIDE**

6,497,168 B1 * 12/2002 Levine 83/520

(76) **Inventor:** **Raymond J. Caluori**, 5 Briggs St.,
Quincy, MA (US) 02170

* cited by examiner

(**) **Term:** **14 Years**

Primary Examiner—Antoine D. Davis
(74) *Attorney, Agent, or Firm*—Brian M. Dingman, Esq.;
Mirick, O’Connell, DeMallie & Lougee, LLP

(21) **Appl. No.:** **29/185,427**

(57) **CLAIM**

(22) **Filed:** **Jun. 26, 2003**

The ornamental design for a rotary saw cut alignment guide,
as described and shown.

(51) **LOC (7) Cl.** **15-09**

(52) **U.S. Cl.** **D15/133; D10/64**

(58) **Field of Search** **D10/65; 83/520,**
83/392, 522.23

DESCRIPTION

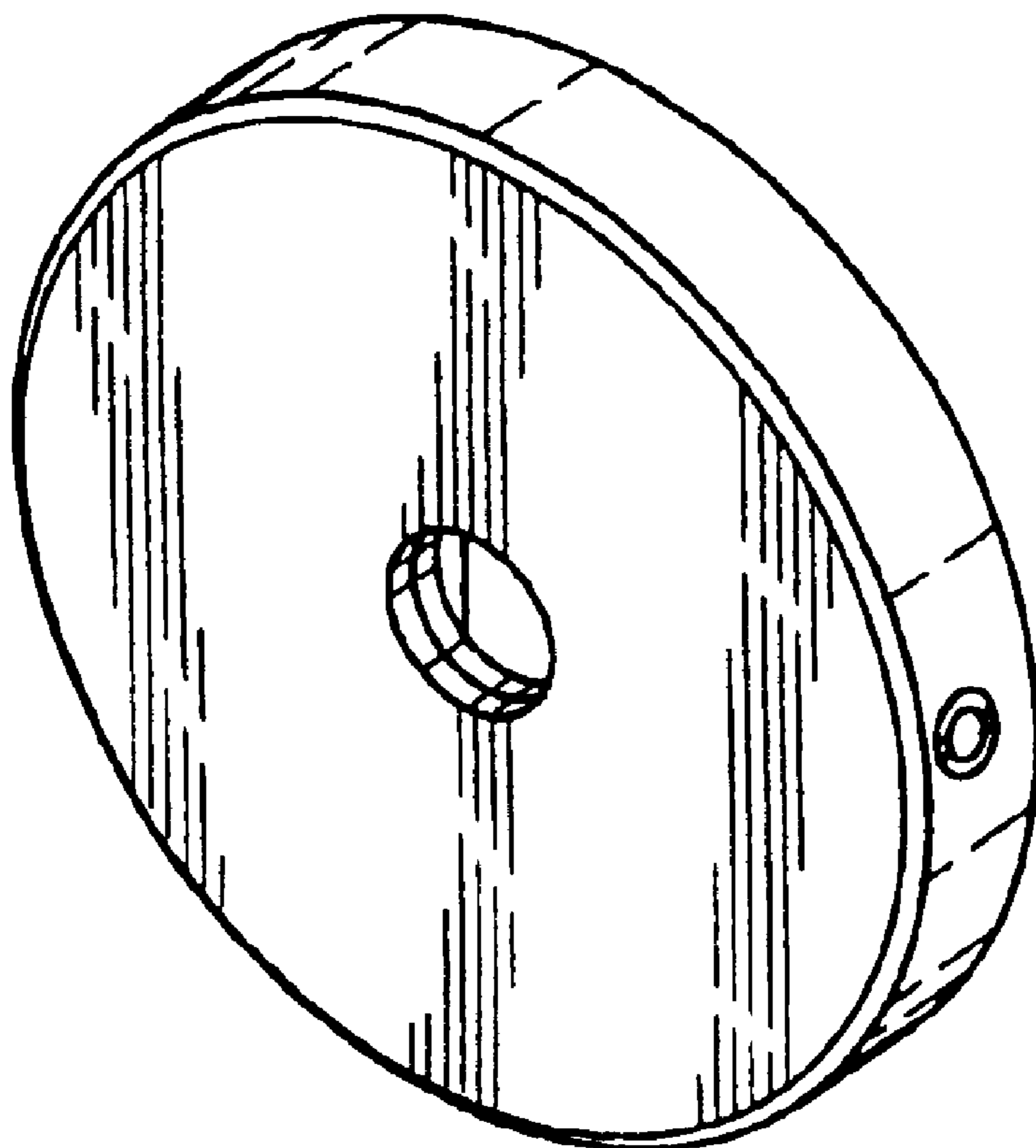
(56) **References Cited**

U.S. PATENT DOCUMENTS

4,335,510 A	6/1982	Close et al.	30/276
D275,015 S	* 8/1984	von der Wouw	D15/133
4,503,740 A	3/1985	Brand et al.	83/520
4,833,782 A	5/1989	Smith	83/520
5,060,384 A	10/1991	Everts	30/276
5,285,708 A	2/1994	Bosten et al.	83/520
5,446,635 A	8/1995	Jehn	83/521
5,630,277 A	5/1997	Kimura	83/520
5,862,727 A	1/1999	Kelly	83/520
6,035,757 A	* 3/2000	Caluori et al.	83/520

FIG. 1 is a perspective view of the rotary saw cut alignment guide of the invention;
FIG. 2 is a top view of the rotary saw cut alignment guide of FIG. 1;
FIG. 3 is a bottom view of the rotary saw cut alignment guide of FIG. 1;
FIG. 4 is a front view of the rotary saw cut alignment guide of FIG. 1, the rear view being identical;
FIG. 5 is a left side elevational view of the rotary saw cut alignment guide of FIG. 1; and,
FIG. 6 is a right side elevational view of the rotary saw cut alignment guide of FIG. 1.

1 Claim, 1 Drawing Sheet



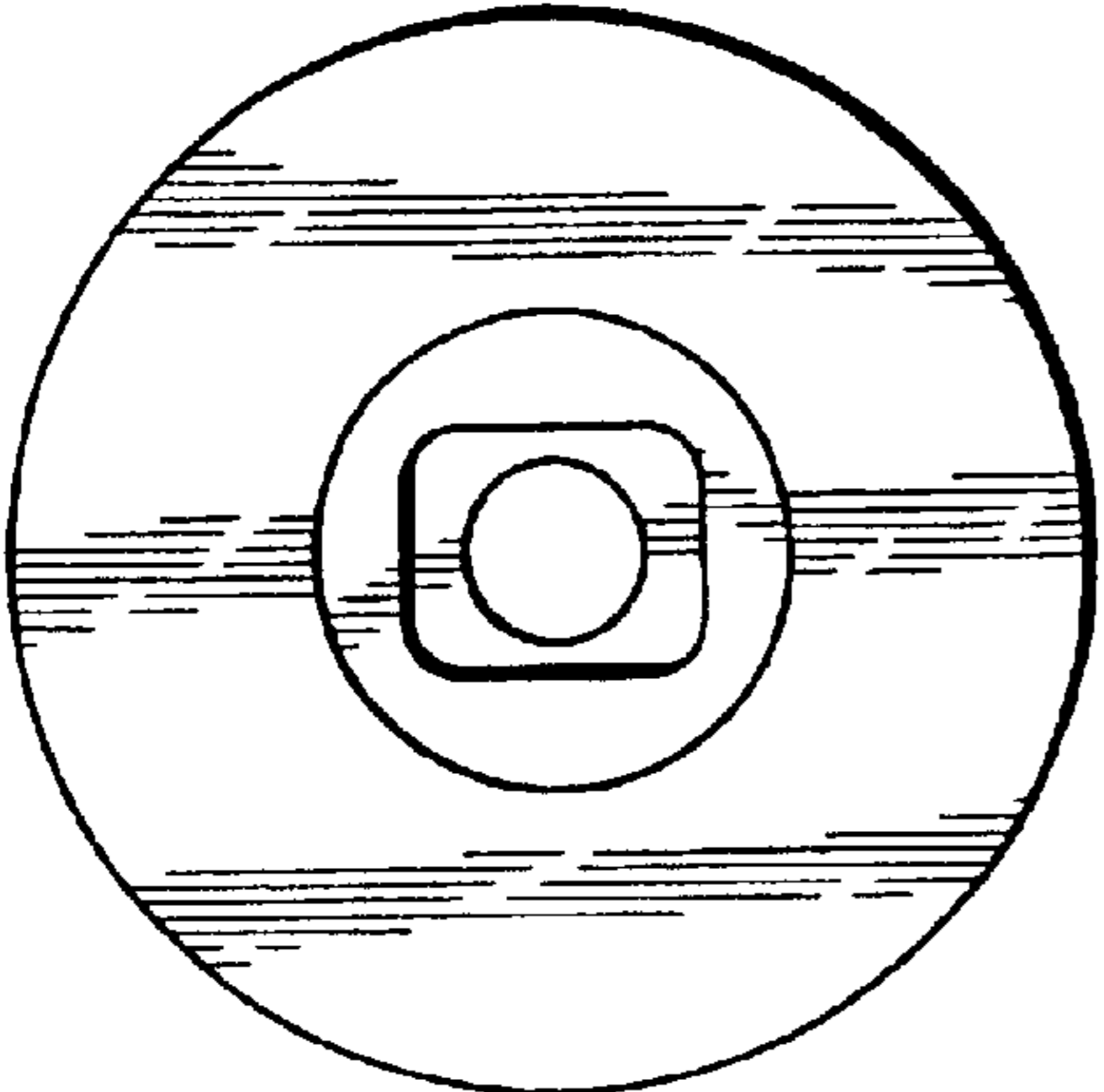


FIG. 3

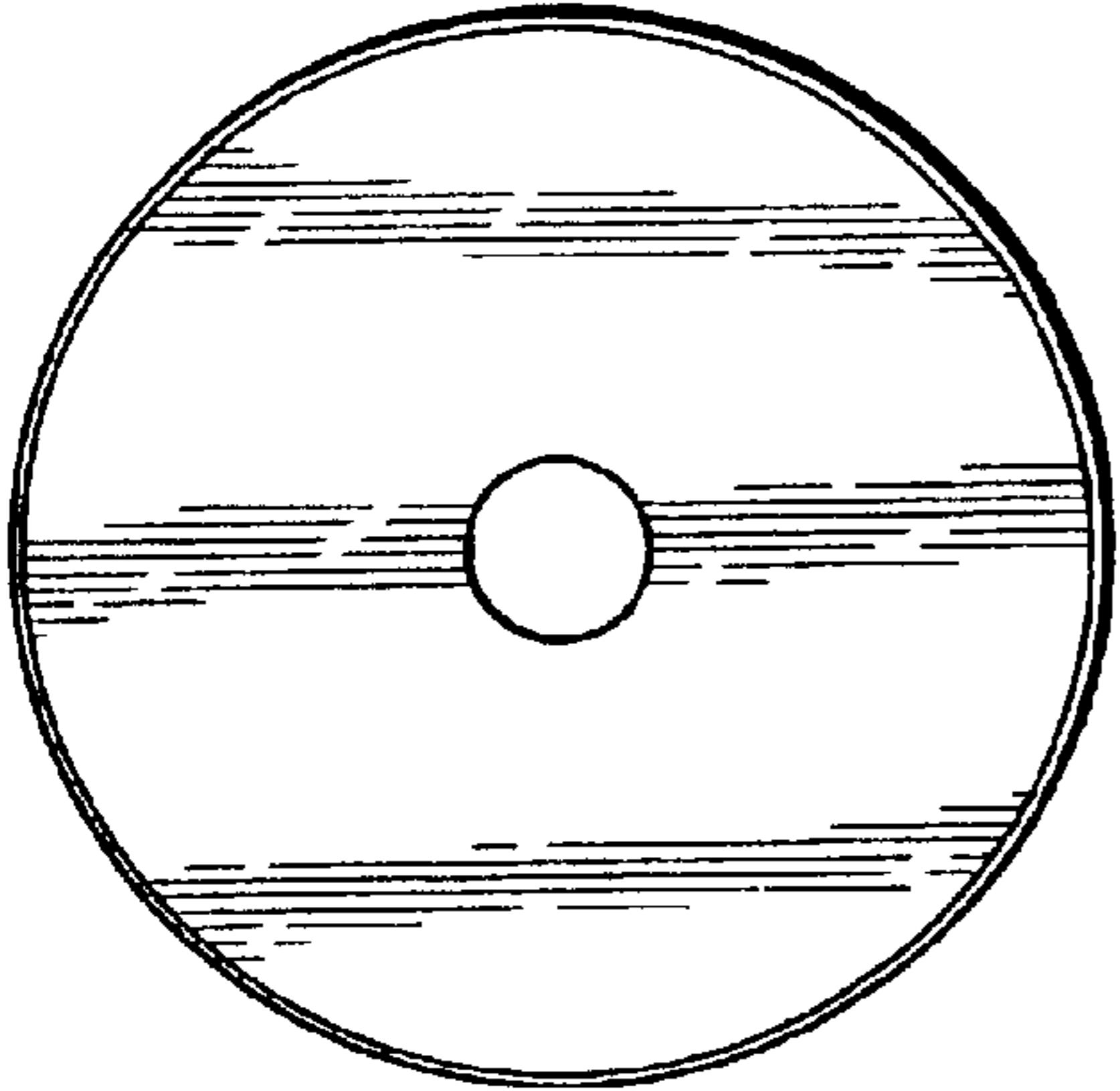


FIG. 2

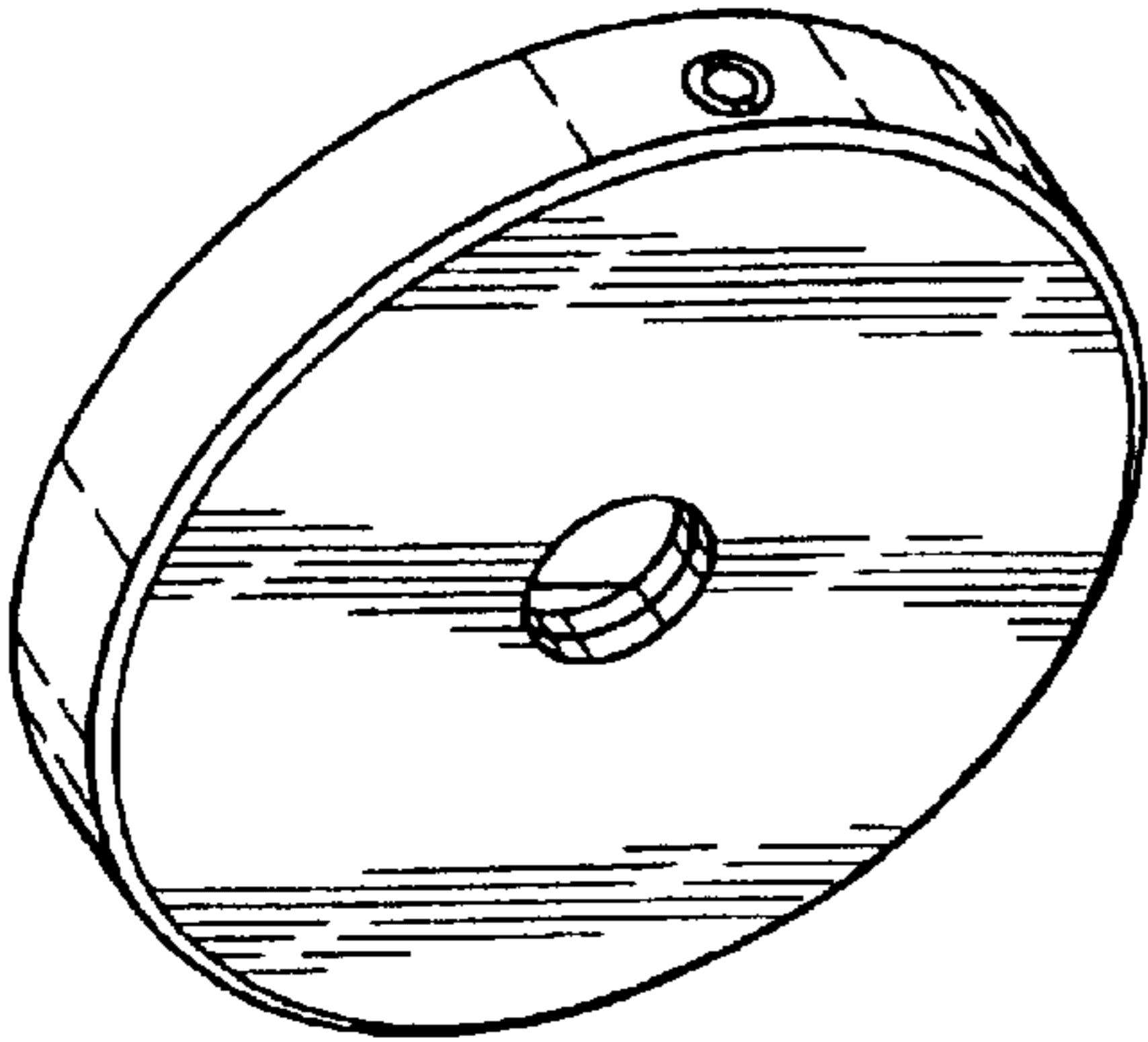


FIG. 1

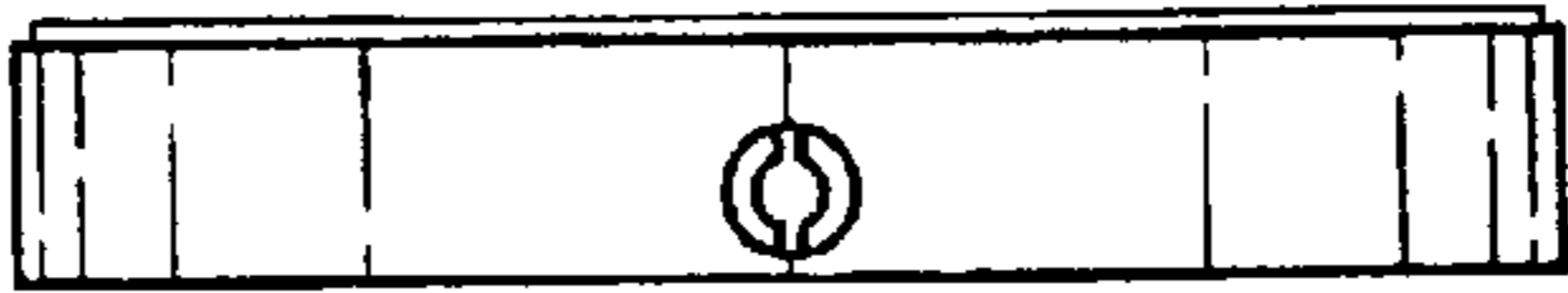


FIG. 6

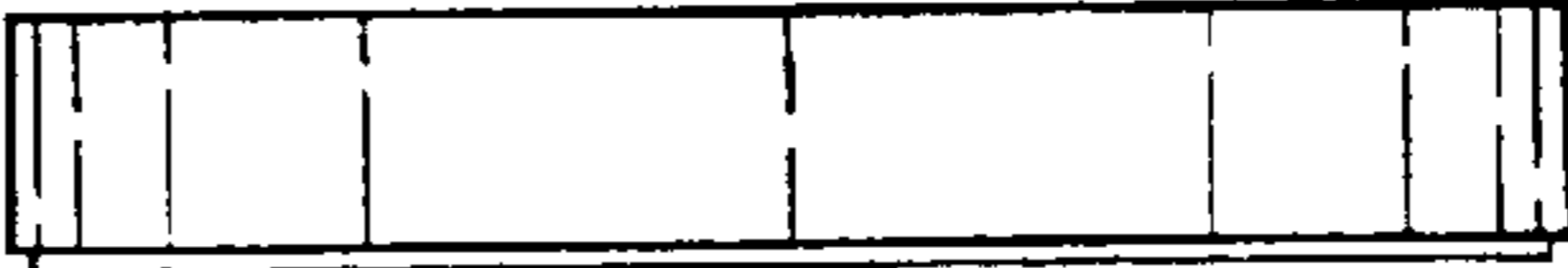


FIG. 5

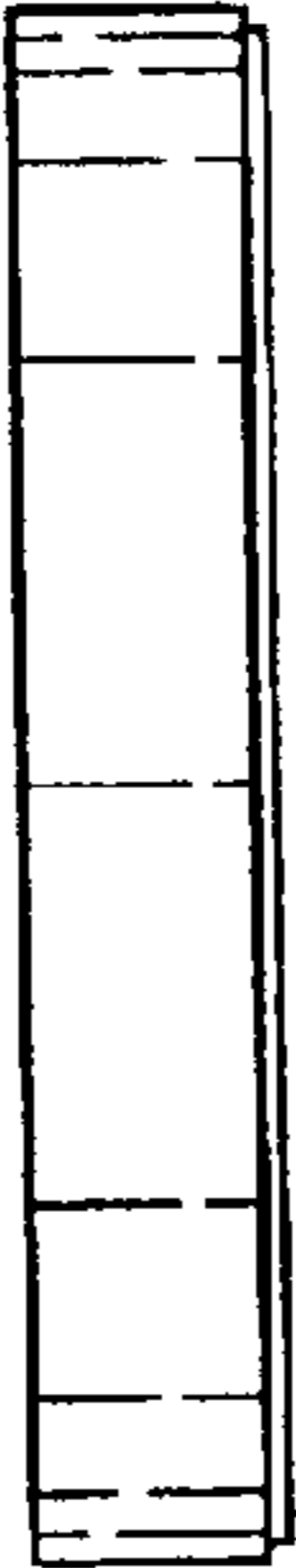


FIG. 4