



US00D492950S1

(12) **United States Design Patent**
Place

(10) **Patent No.:** **US D492,950 S**
(45) **Date of Patent:** **** Jul. 13, 2004**

(54) **JOURNAL TURNING LATHE HAVING A
DUAL FEED SCREW DRIVE**

D436,606 S 1/2001 Ricci

* cited by examiner

(75) Inventor: **Brent Place**, Hager City, WI (US)

Primary Examiner—Antoine D. Davis

(73) Assignee: **Donato L. Ricci**, Hager City, WI (US)

(74) *Attorney, Agent, or Firm*—Thomas J. Nikolai; Nikolai & Mersereau, P.A.

(**) Term: **14 Years**

(57) **CLAIM**

(21) Appl. No.: **29/187,115**

The ornamental design for the “journal turning lathe having a dual feed screw drive,” as shown and described.

(22) Filed: **Jul. 28, 2003**

(51) **LOC (7) Cl.** **15-09**

(52) **U.S. Cl.** **D15/130**

(58) **Field of Search** D15/130; 82/113,
82/128–133

DESCRIPTION

(56) **References Cited**

U.S. PATENT DOCUMENTS

4,359,917	A	*	11/1982	Wilger et al.	82/128
4,452,110	A	*	6/1984	Emmerson	82/113
5,660,093	A		8/1997	Ricci	
5,894,772	A	*	4/1999	Nodar	82/113
6,065,378	A	*	5/2000	Ricci	82/128

FIG. 1 is a top elevational view of a journal turning lathe of my design;

FIG. 2 is a bottom elevational view thereof;

FIG. 3 is a front elevational view of the first concentric ring thereof;

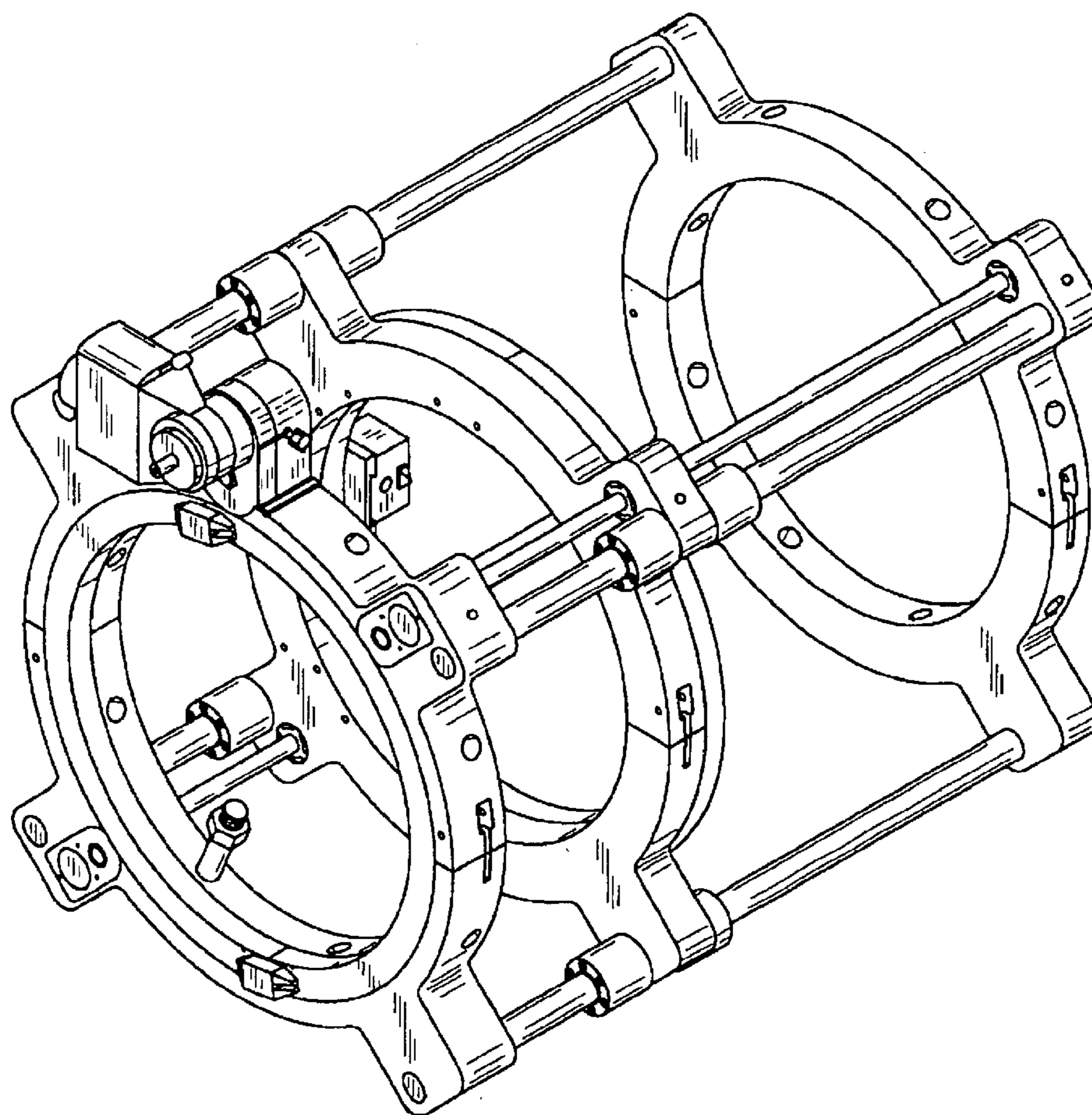
FIG. 4 is a rear elevational view of the first ring thereof;

FIG. 5 is a right side elevational view thereof;

FIG. 6 is a left side elevational view thereof; and,

FIG. 7 is a perspective view thereof.

1 Claim, 7 Drawing Sheets



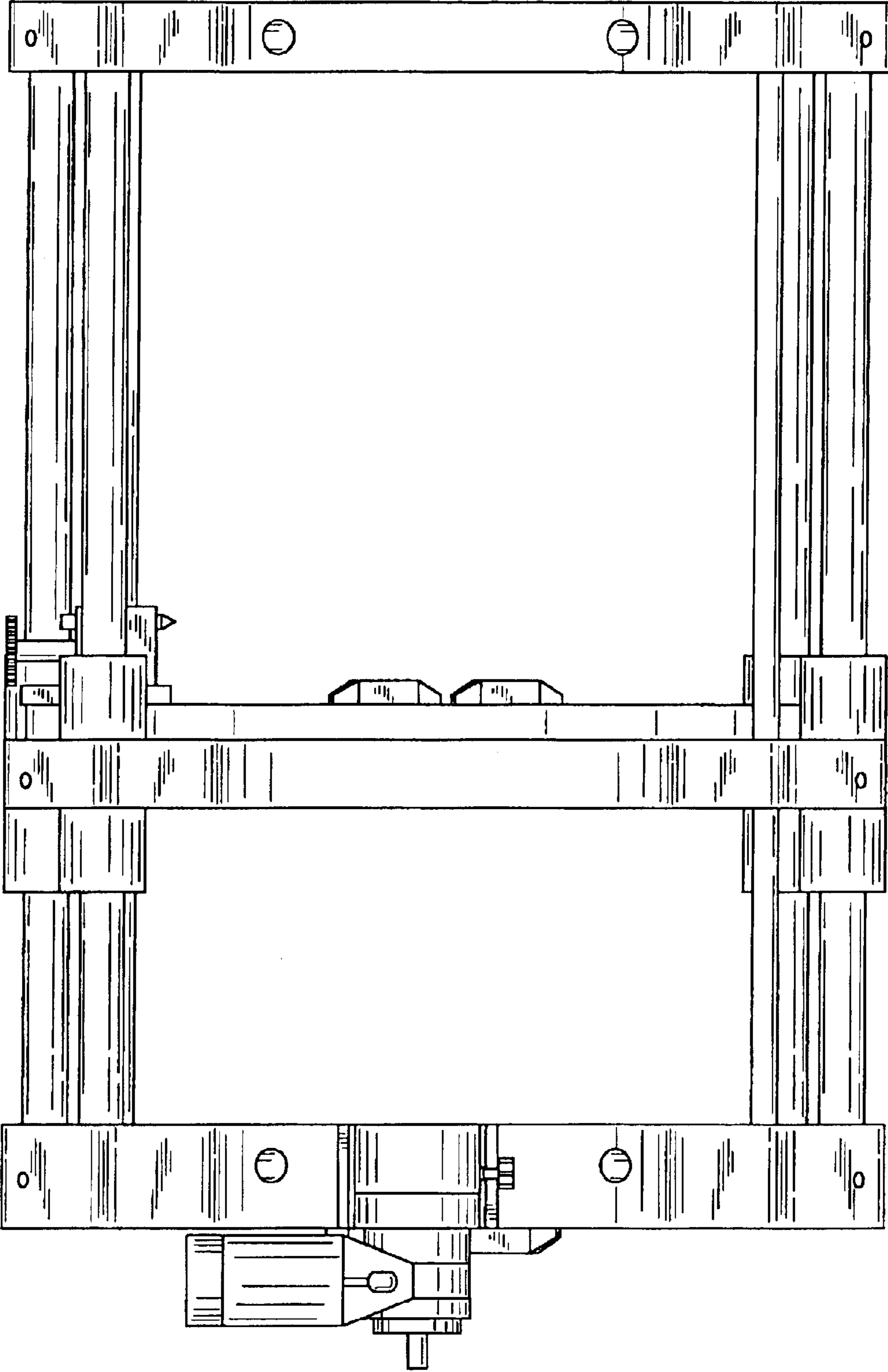


FIG. 1

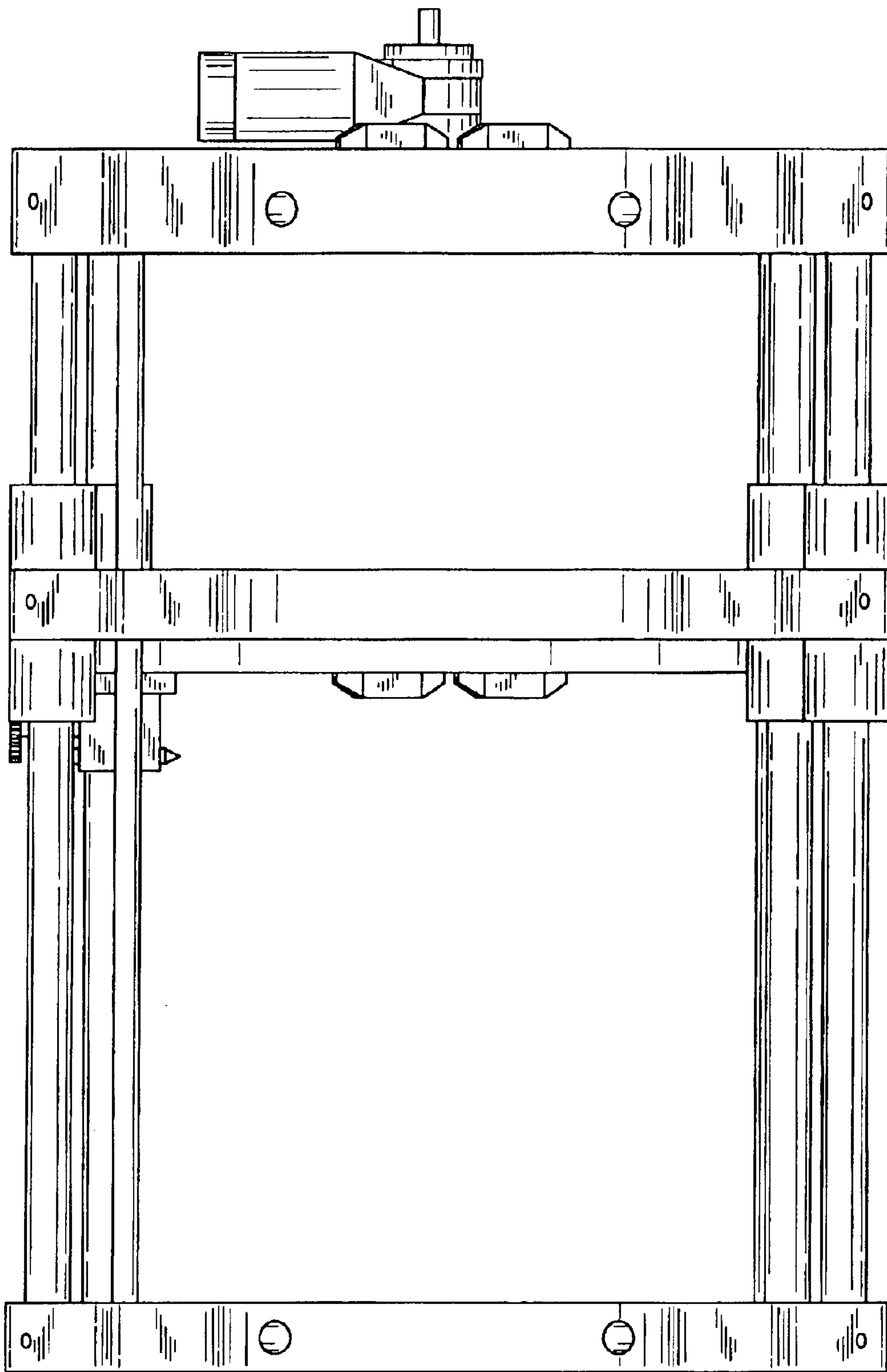


FIG. 2

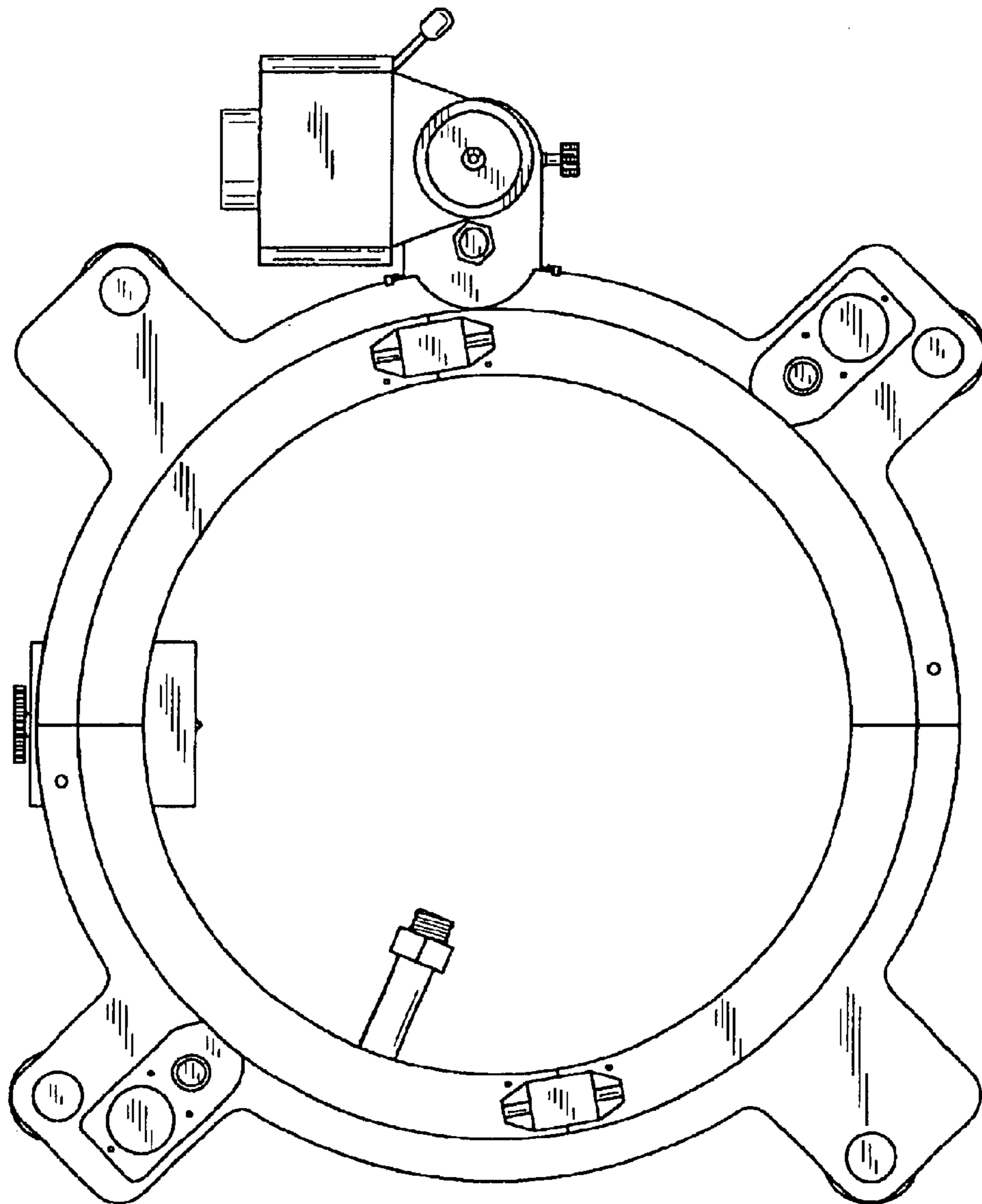


FIG. 3

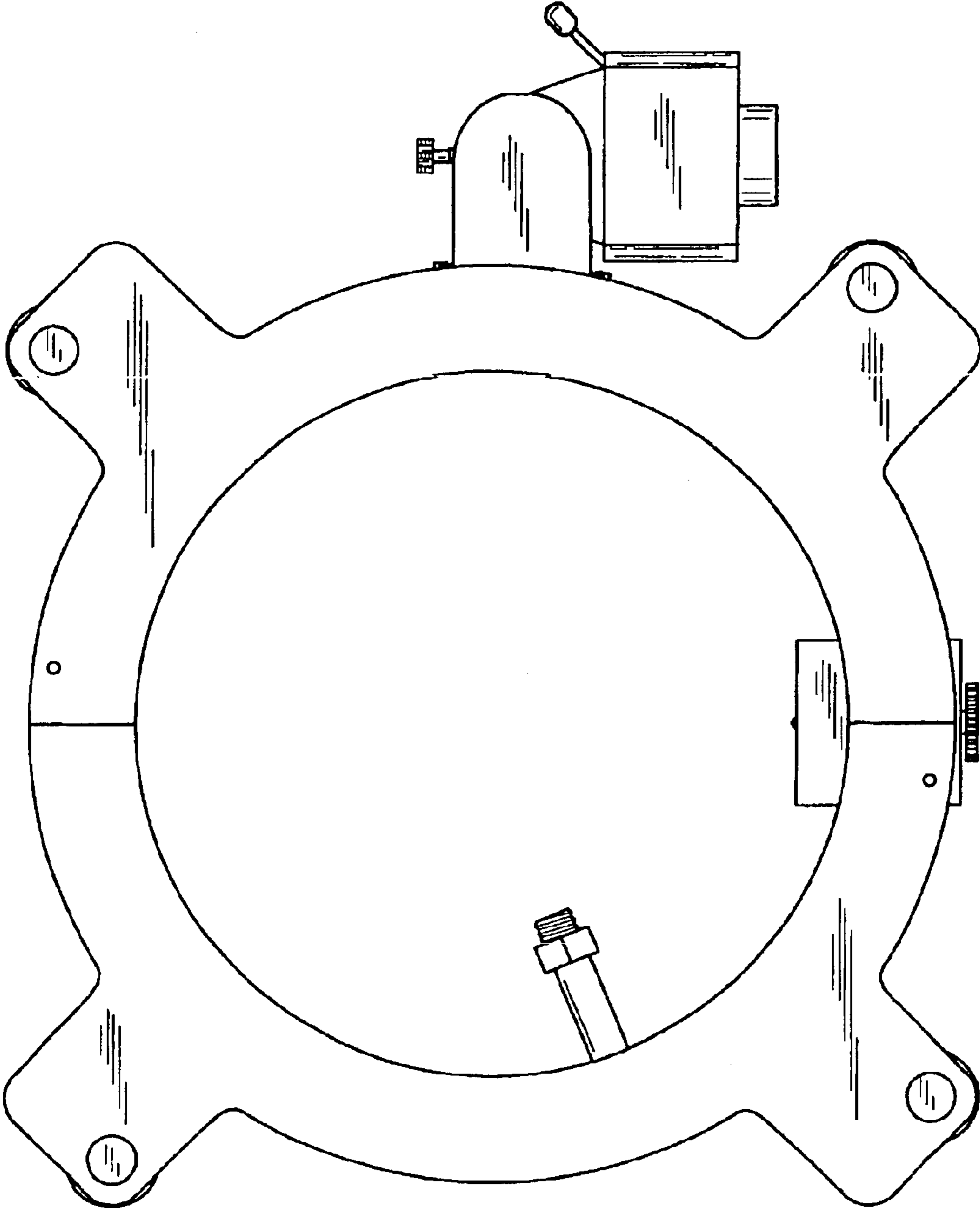


FIG. 4

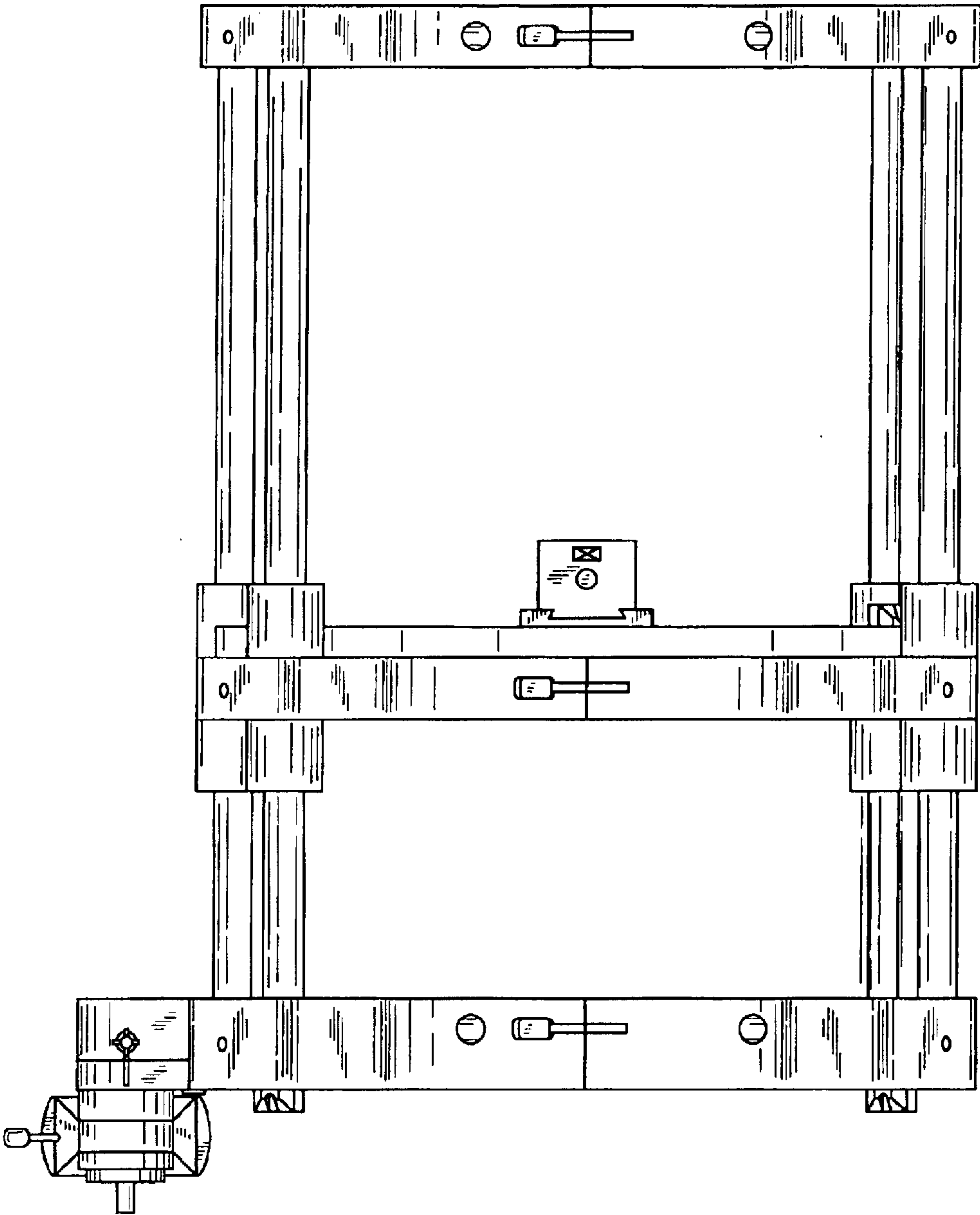


FIG. 5

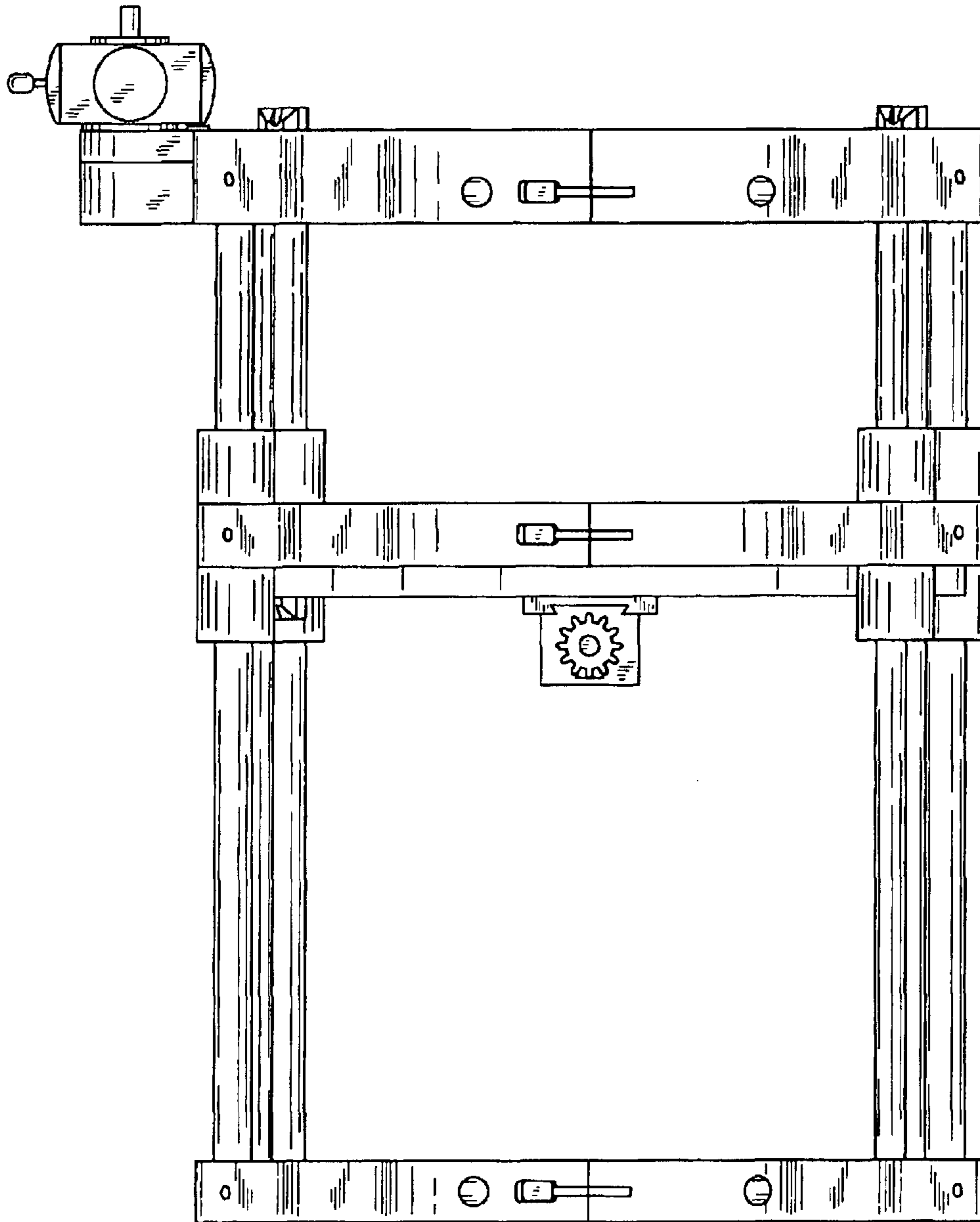


FIG. 6

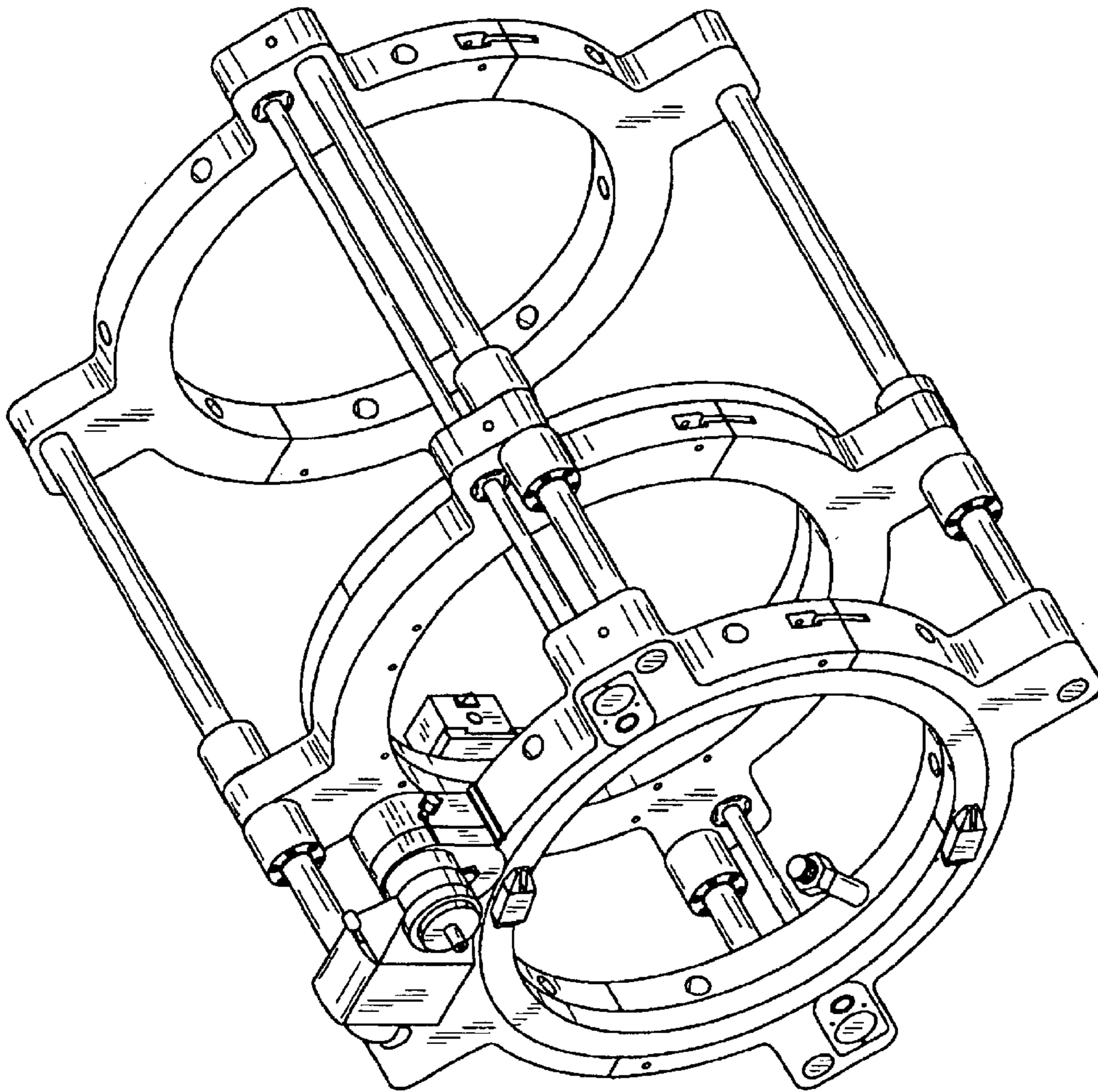


FIG. 7