

US00D492949S1

(12) **United States Design Patent**  
**Kimura**

(10) **Patent No.:** **US D492,949 S**  
(45) **Date of Patent:** **\*\* Jul. 13, 2004**

(54) **PORTABLE HYDRAULIC SPREADER  
DEVICE**

6,318,228 B1 \* 11/2001 Thompson ..... 89/1.14  
6,389,870 B1 \* 5/2002 Vigil ..... 72/392

(75) Inventor: **Kiyoshi Kimura, Ebina (JP)**  
(73) Assignee: **Kabushiki Kaisha Ogura, Ebina (JP)**  
(\*\*) Term: **14 Years**

**FOREIGN PATENT DOCUMENTS**

JP 1025902 11/1998  
JP 1156122 10/2002  
JP 2003-001287 7/2003

(21) Appl. No.: **29/186,165**  
(22) Filed: **Jul. 10, 2003**

**OTHER PUBLICATIONS**

U.S. patent application Ser. No. 29/182,146, Oide, filed May 20, 2003.

(30) **Foreign Application Priority Data**

Jan. 22, 2003 (JP) ..... 2003-001287

\* cited by examiner

*Primary Examiner*—Antoine D. Davis

(51) **LOC (7) Cl.** ..... **15-09**

(74) *Attorney, Agent, or Firm*—Leydig, Voit & Mayer, Ltd.

(52) **U.S. Cl.** ..... **D15/127**

(57) **CLAIM**

(58) **Field of Search** ..... D15/124–125,  
D15/127; 30/180, 228, 42, 134; 72/217,  
705, 392, 453.15; 254/93 R, 93 H; 89/1.14

The ornamental design for a portable hydraulic spreader device, as shown.

(56) **References Cited**

**DESCRIPTION**

**U.S. PATENT DOCUMENTS**

4,842,249 A \* 6/1989 Weigand ..... 254/93 R  
5,272,811 A \* 12/1993 Armand ..... 30/228  
5,457,889 A \* 10/1995 Kimura ..... 30/228  
5,956,992 A \* 9/1999 Patton ..... 72/392  
6,000,680 A \* 12/1999 Kimura et al. .... 254/93 R  
6,092,290 A \* 7/2000 Vogelsanger ..... 30/228  
6,178,643 B1 \* 1/2001 Erbrick et al. .... 30/228  
6,244,568 B1 \* 6/2001 Patton ..... 254/93 R

FIG. 1 is a perspective view of the portable hydraulic spreader device;

FIG. 2 is a front elevational view thereof;

FIG. 3 is a rear elevational view thereof;

FIG. 4 is a left side elevational view thereof;

FIG. 5 is a right side elevational view thereof;

FIG. 6 is a top plan view thereof; and,

FIG. 7 is a bottom plan view thereof.

**1 Claim, 3 Drawing Sheets**

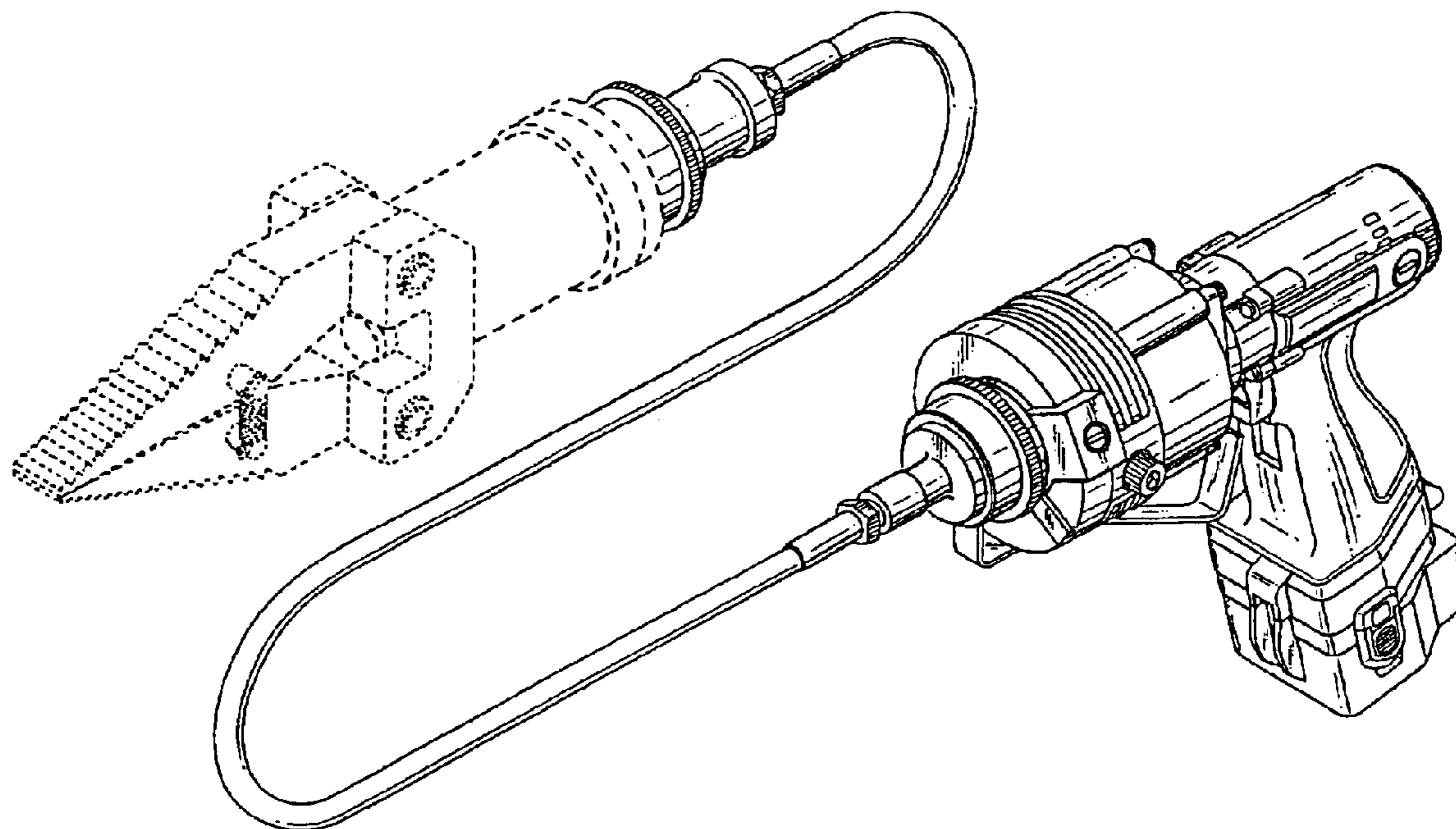


FIG. 1

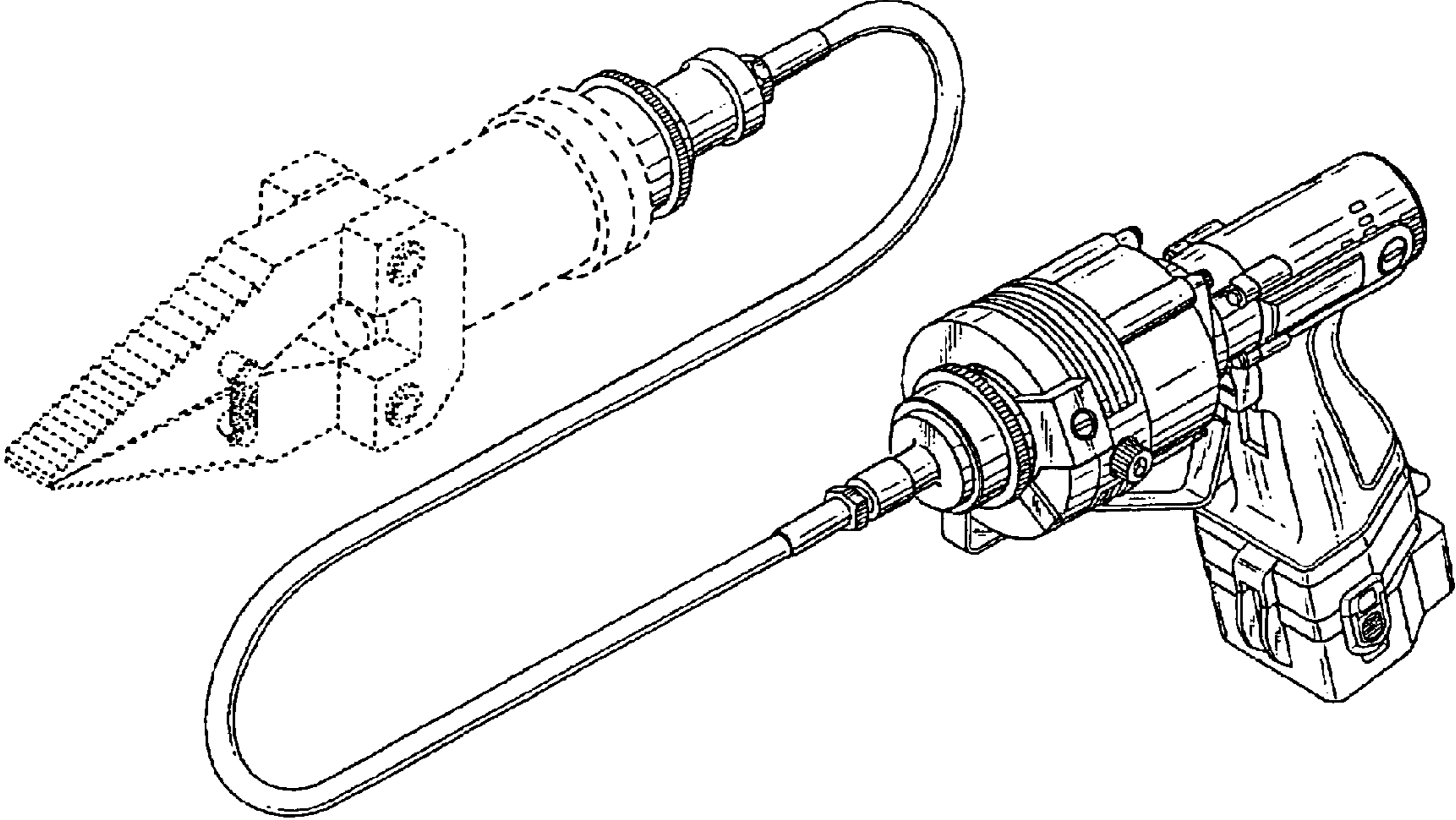


FIG. 2

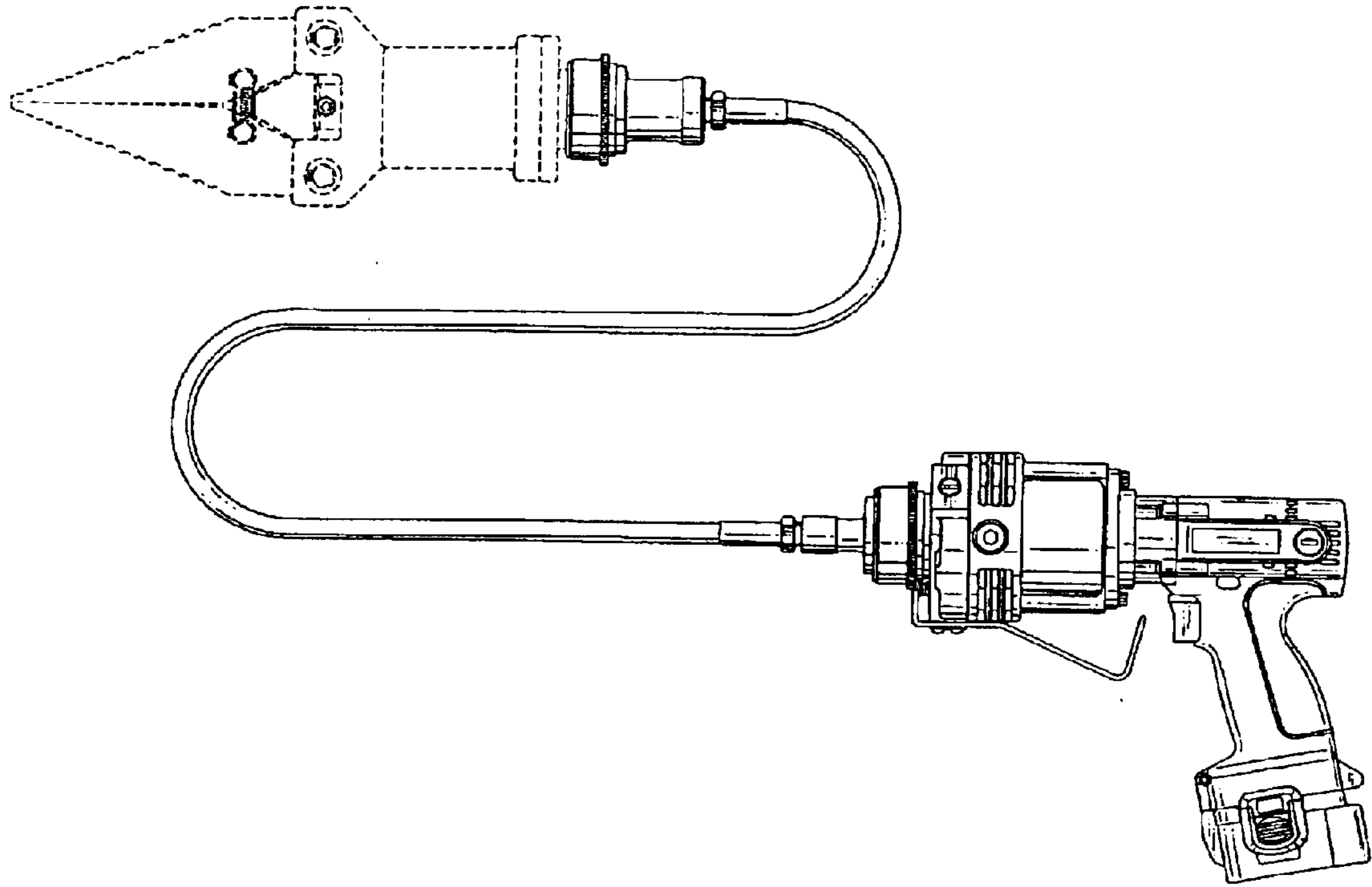


FIG. 3

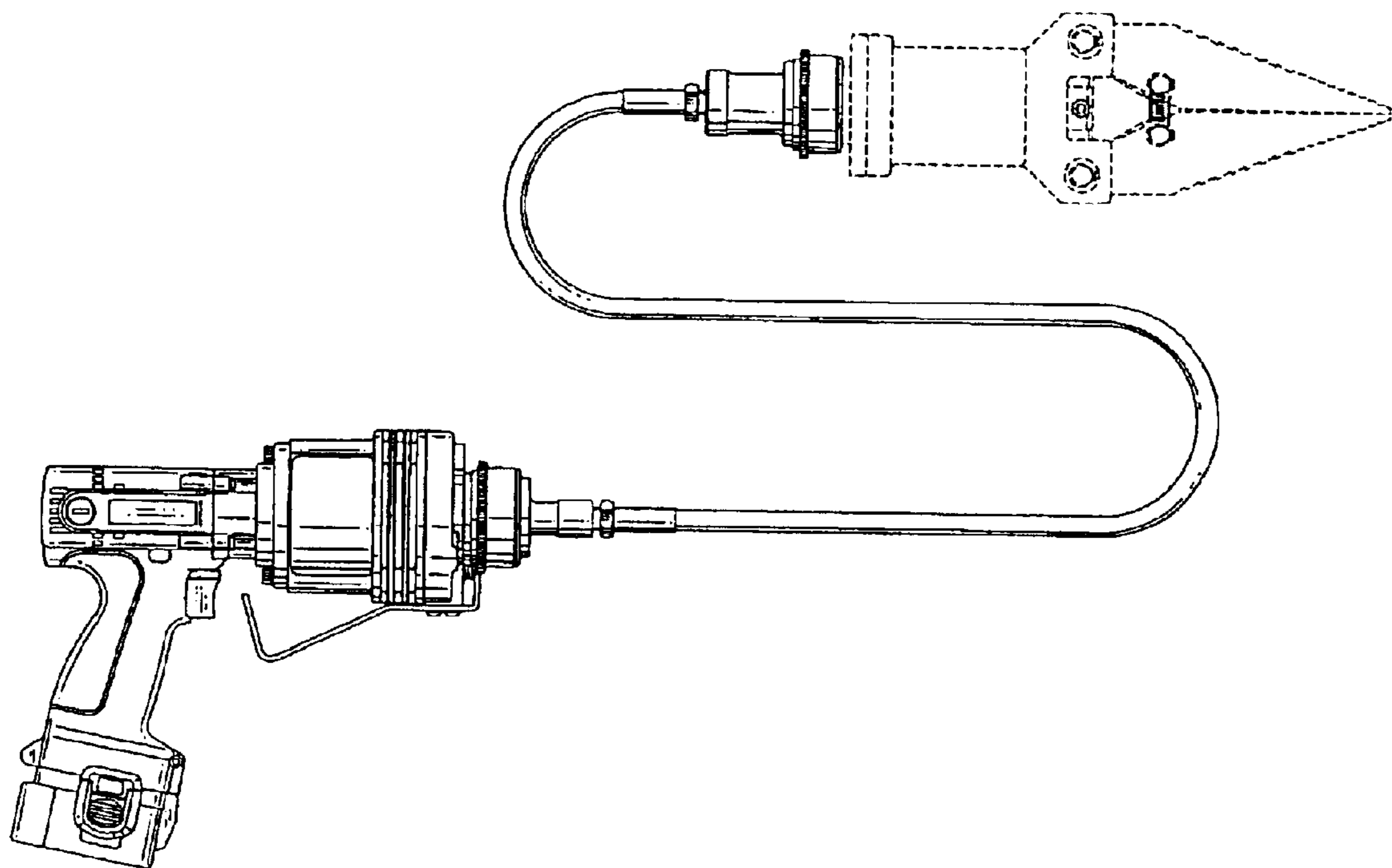


FIG. 4

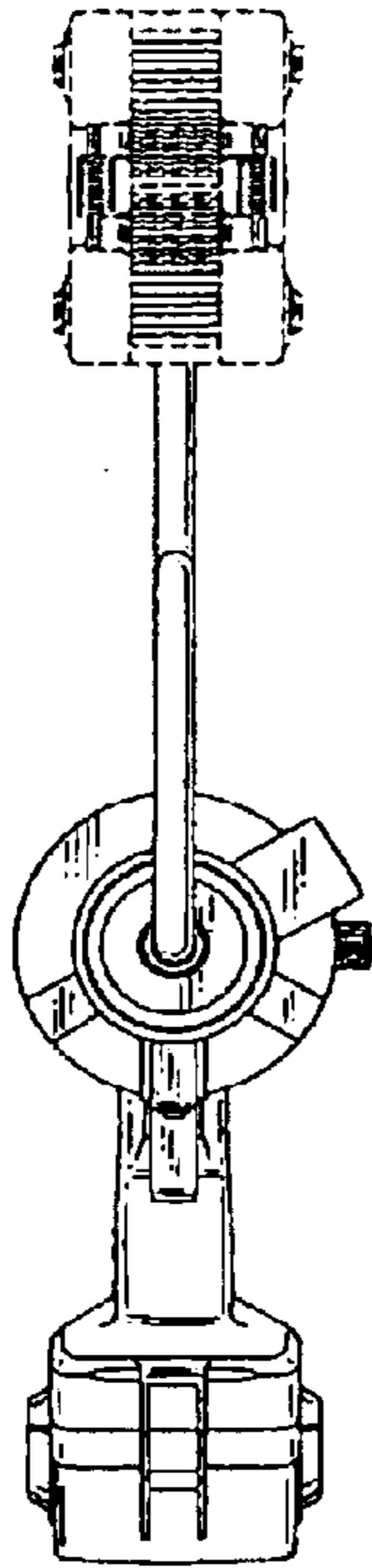


FIG. 5

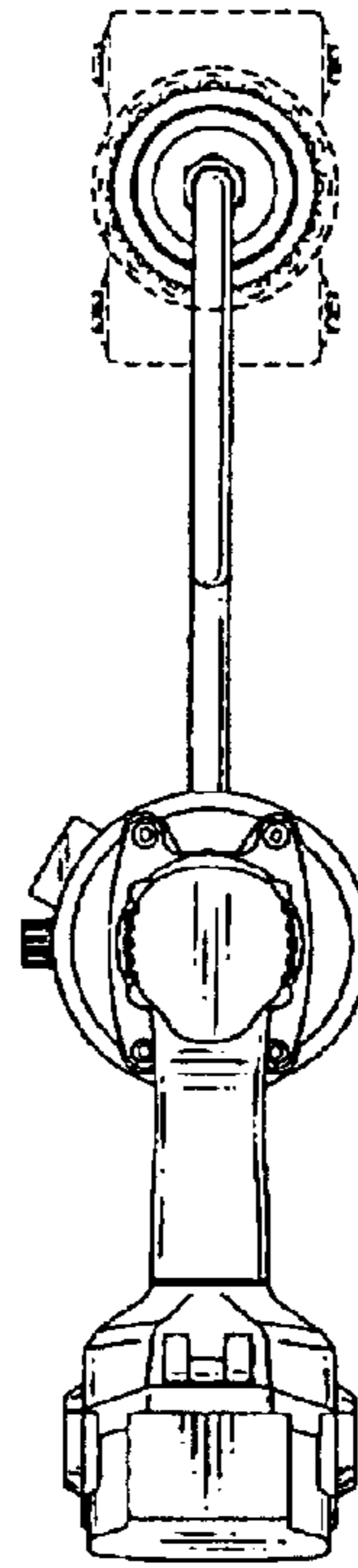


FIG. 6

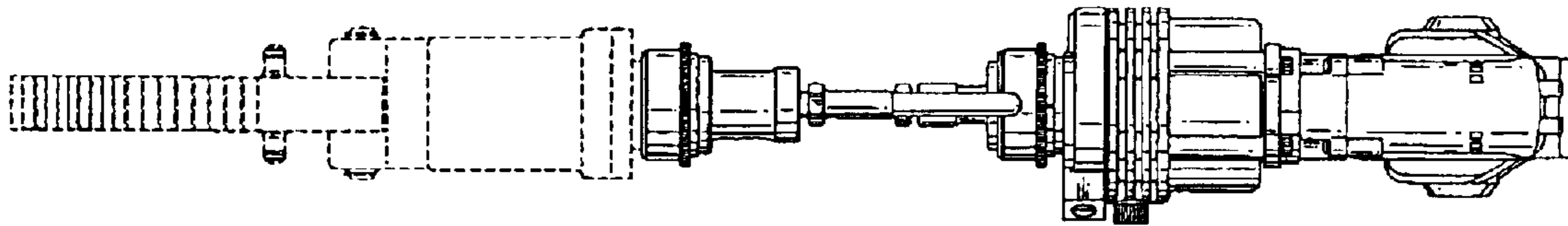


FIG. 7

