

US00D492948S1

(12) **United States Design Patent**
Suwa et al.

(10) **Patent No.:** **US D492,948 S**
(45) **Date of Patent:** **** Jul. 13, 2004**

(54) **EMBROIDERY MACHINE**

(75) Inventors: **Kazumi Suwa**, Toyoake (JP); **Kazuo Itho**, Aichi-gun (JP)

(73) Assignee: **Brother Industries, Limited**, Nagoya (JP)

(**) Term: **14 Years**

(21) Appl. No.: **29/187,229**

(22) Filed: **Jul. 30, 2003**

(30) **Foreign Application Priority Data**

Feb. 7, 2003 (JP) 2003-002894

(51) **LOC (7) Cl.** **15-06**

(52) **U.S. Cl.** **D15/78**

(58) **Field of Search** D15/66, 69, 78,
D15/72; 112/217.1-217.4, 255-261, 321.13,
121.31, 80.4, 80.54, 475.07, 152, 235, 80.52,
102.5, 103, 80.6, 80.55, 80.56; D14/131,
132

(56) **References Cited**

U.S. PATENT DOCUMENTS

- D305,126 S * 12/1989 Yamaura et al. D15/72
- D321,519 S * 11/1991 Kumatani et al. D15/72
- D321,696 S * 11/1991 Kumatani et al. D15/72
- D321,891 S * 11/1991 Kumatani et al. D15/72

- D322,442 S * 12/1991 Kumatani et al. D15/72
- 6,289,831 B1 * 9/2001 Hanai et al. 112/102.5
- D451,895 S * 12/2001 Lavelle et al. D14/132
- D457,505 S * 5/2002 Benedetti D14/131
- D462,670 S * 9/2002 Kasuga et al. D14/132
- 6,463,867 B2 * 10/2002 Kato 112/103
- D465,793 S * 11/2002 Takada et al. D15/69
- D466,136 S * 11/2002 Lin D15/69
- D474,785 S * 5/2003 Carter et al. D15/66

* cited by examiner

Primary Examiner—Mitchell Siegel

(74) *Attorney, Agent, or Firm*—Oliff & Berridge, PLC

(57) **CLAIM**

The ornamental design for embroidery machine, as shown and described.

DESCRIPTION

FIG. 1 is a front view of an embroidery machine;

FIG. 2 is a top view thereof;

FIG. 3 is a right-side view thereof;

FIG. 4 is a rear view thereof;

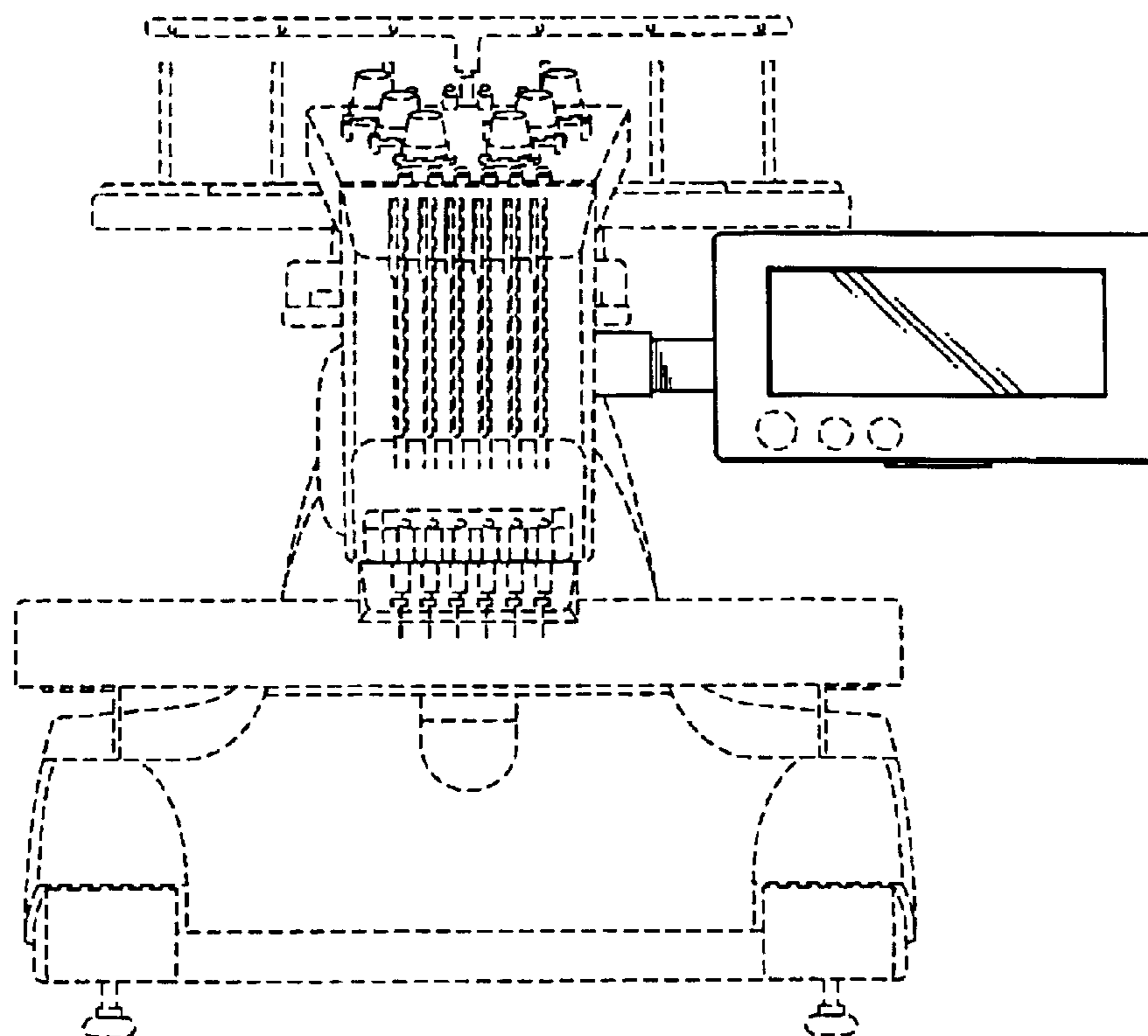
FIG. 5 is a bottom view thereof; and,

FIG. 6 is a perspective view thereof.

The left-side view contains no ornamentality and is omitted.

The broken lines are for illustrative purposes only and form no part of the claimed design.

1 Claim, 5 Drawing Sheets



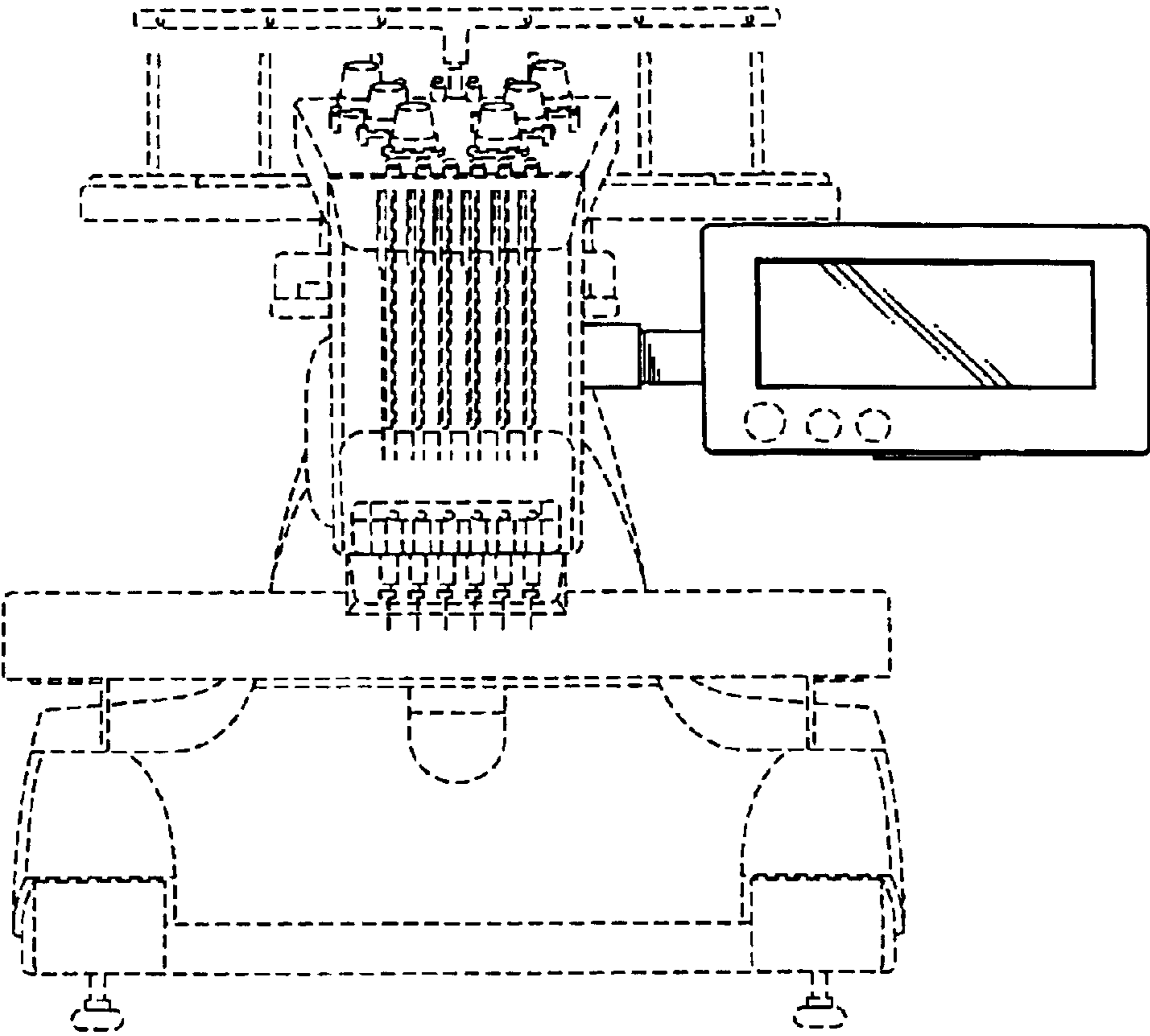


Fig. 1

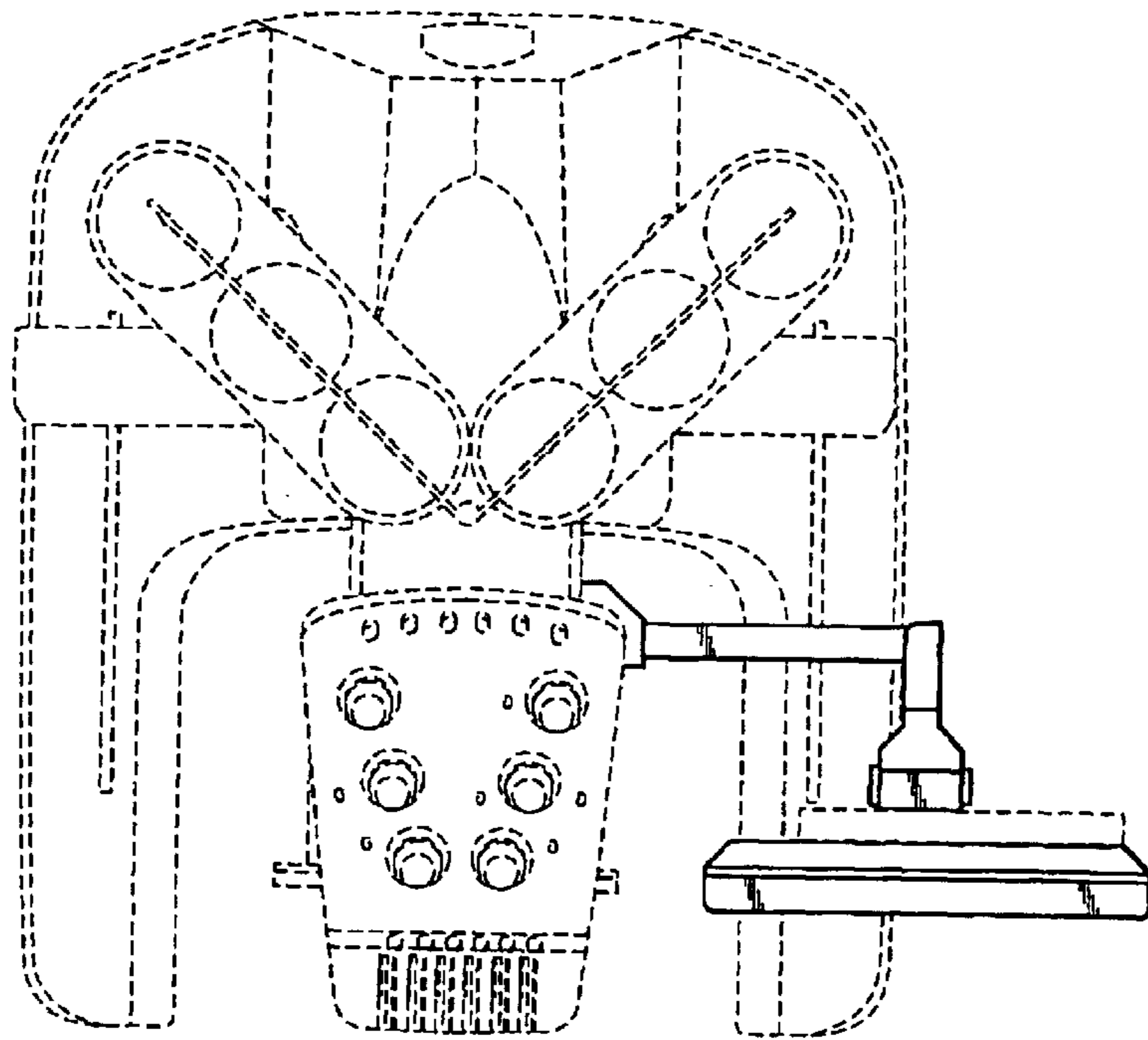


Fig. 2

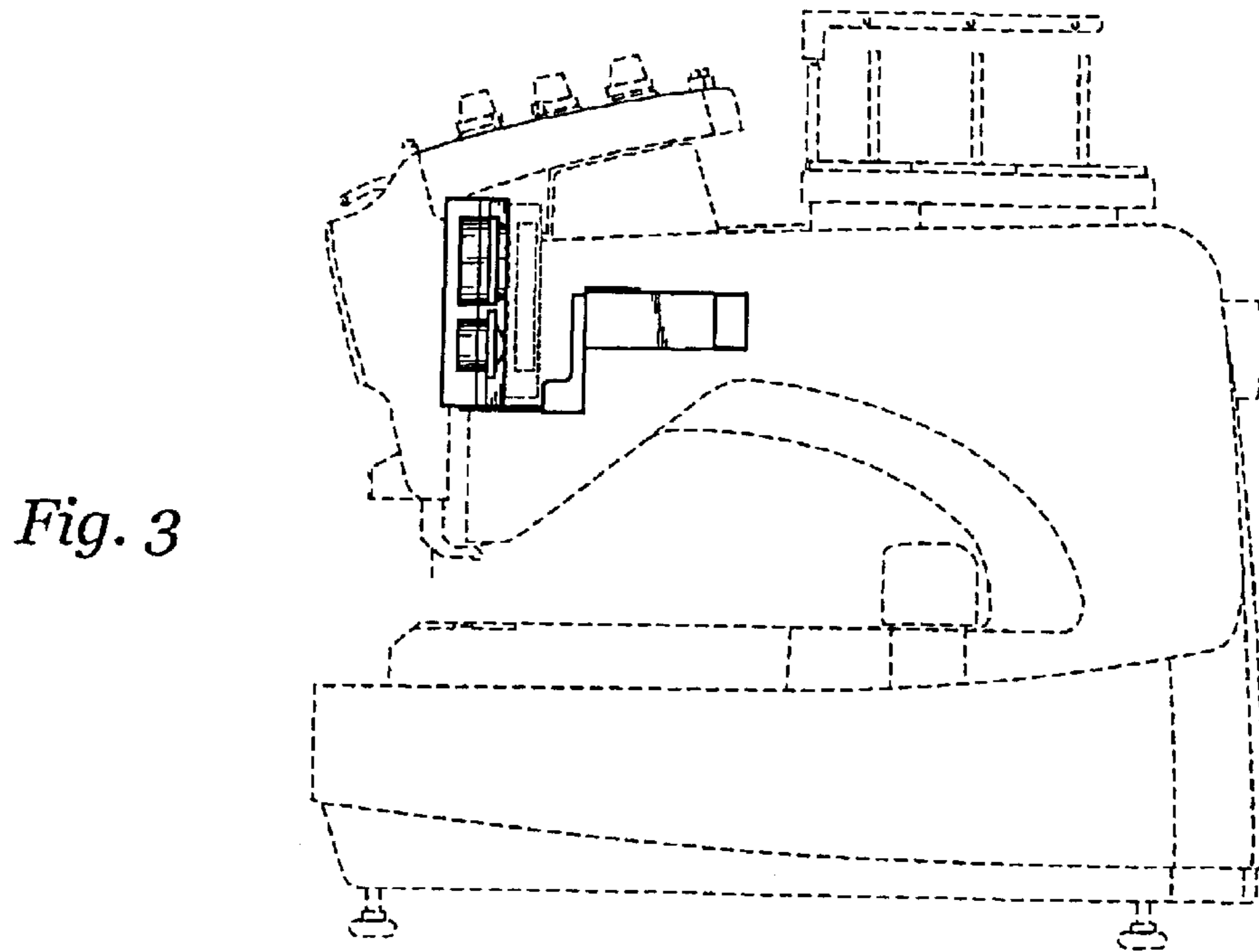


Fig. 3

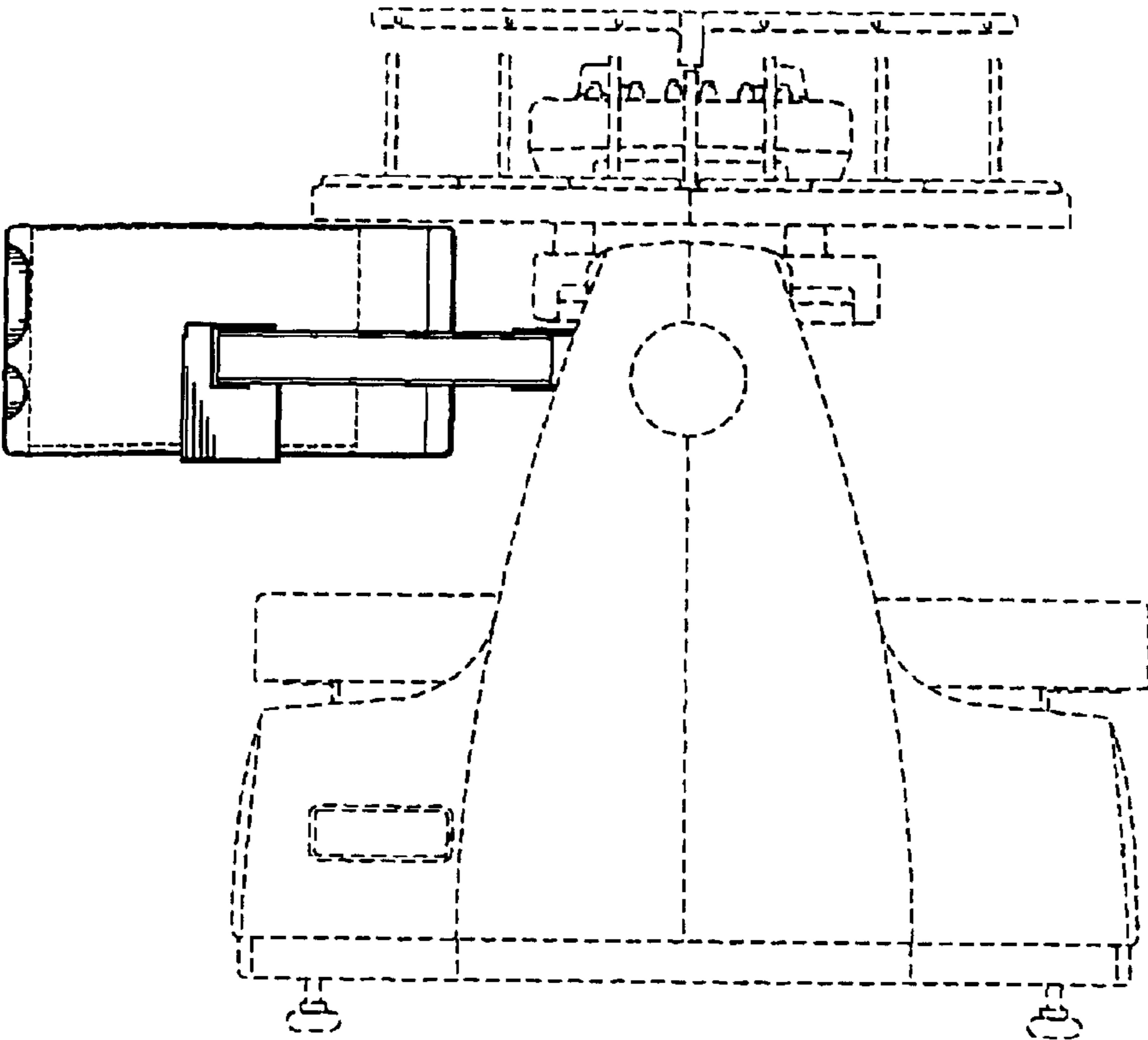


Fig. 4

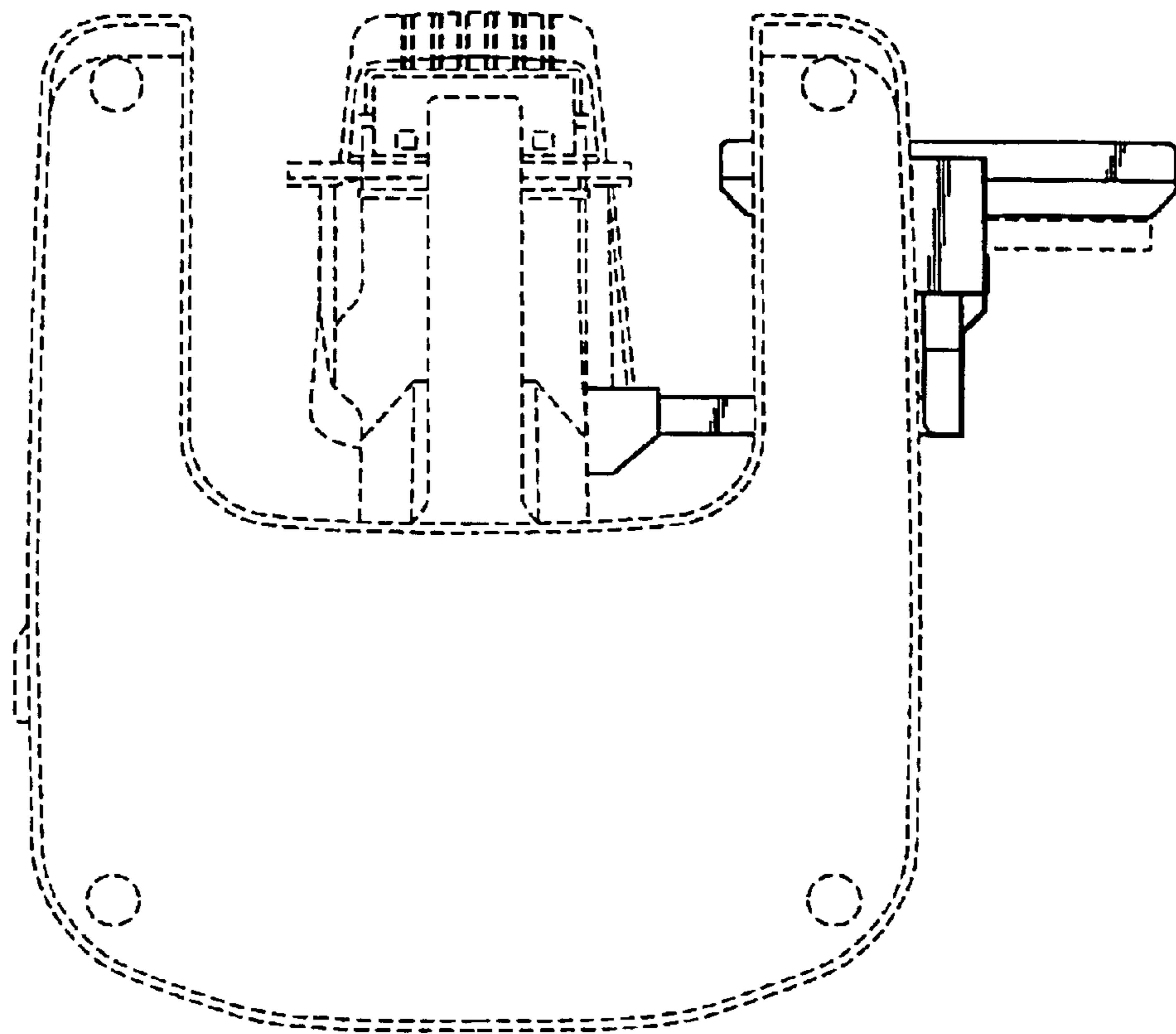


Fig. 5

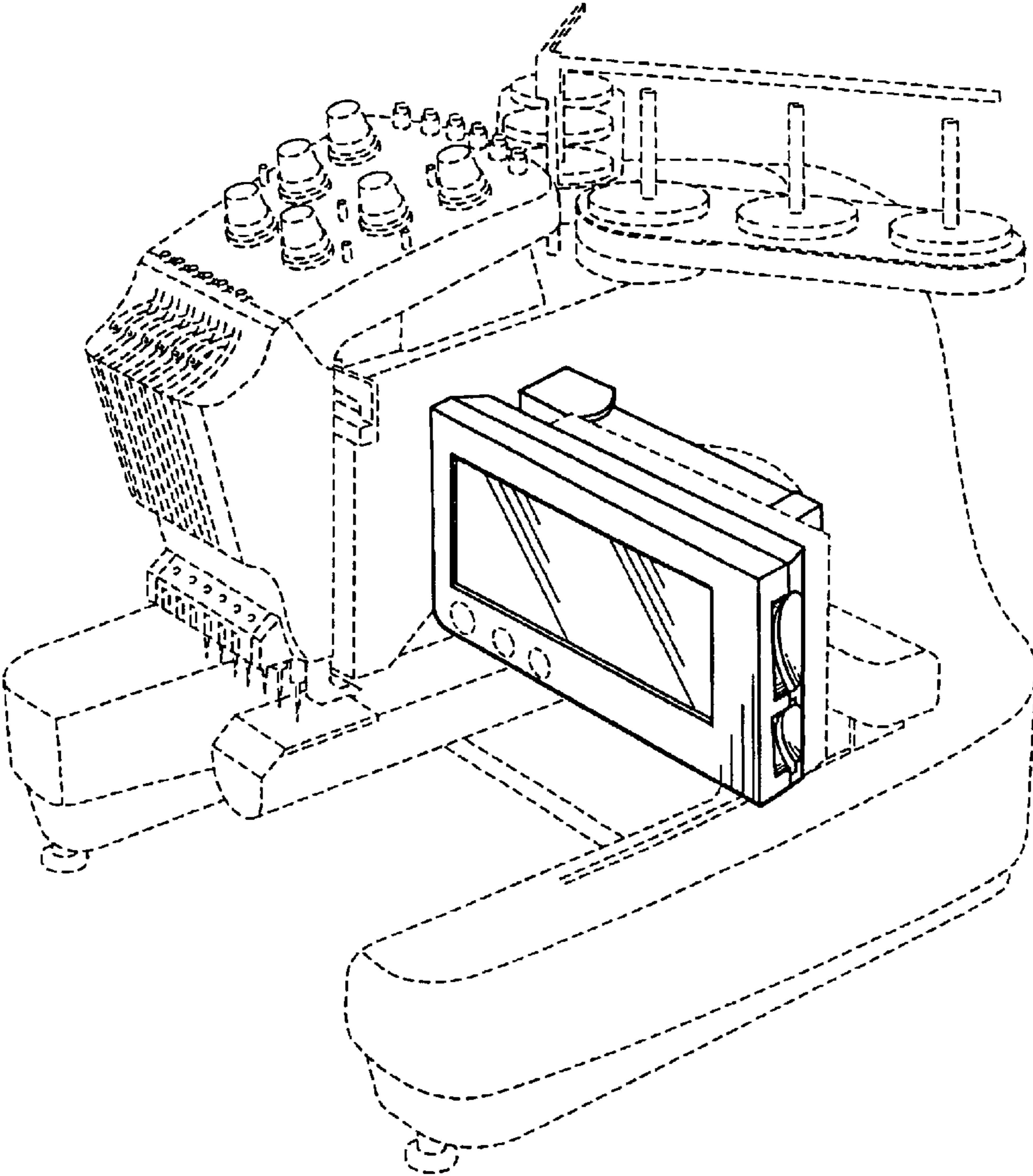


Fig. 6