

US00D492939S1

(12) **United States Design Patent**
Mizokawa

(10) **Patent No.:** **US D492,939 S**
(45) **Date of Patent:** **** Jul. 13, 2004**

(54) **COMBINED DIGITAL AUDIO DISC PLAYER AND RADIO TUNER FOR A VEHICLE**

D407,704 S * 4/1999 Ichijima et al. D14/157
D441,351 S * 5/2001 Ito et al. D14/168

(75) Inventor: **Hiroyuki Mizokawa, Yokohama (JP)**

FOREIGN PATENT DOCUMENTS

(73) Assignee: **Matsushita Electric Industrial Co., Ltd., Osaka (JP)**

JP D1070110 5/2000
JP D1139242 4/2002
JP D1159453 12/2002

(**) Term: **14 Years**

* cited by examiner

(21) Appl. No.: **29/183,139**

Primary Examiner—Nanda Bondade

(22) Filed: **Jun. 6, 2003**

(74) *Attorney, Agent, or Firm*—Brinks Hofer Gilson & Lione

(30) **Foreign Application Priority Data**

(57) **CLAIM**

Feb. 18, 2003 (JP) 2003-003733

The ornamental design for a combined digital audio disc player and radio tuner for a vehicle, as shown and described.

(51) **LOC (7) Cl.** **14-03**

DESCRIPTION

(52) **U.S. Cl.** **D14/157; D14/168**

FIG. 1 is a top perspective view of a combined digital audio disc player and radio tuner for a vehicle of the present invention;

(58) **Field of Search** D14/135–136, D14/156–157, 160–165, 167–168, 188, 193–198; 369/75.1, 75.2, 77.1, 77.2; 381/86, 120; 455/344, 346–351

FIG. 2 is a front view thereof;

FIG. 3 is a first side view thereof;

FIG. 4 is a bottom view thereof;

FIG. 5 is a second side view thereof; and,

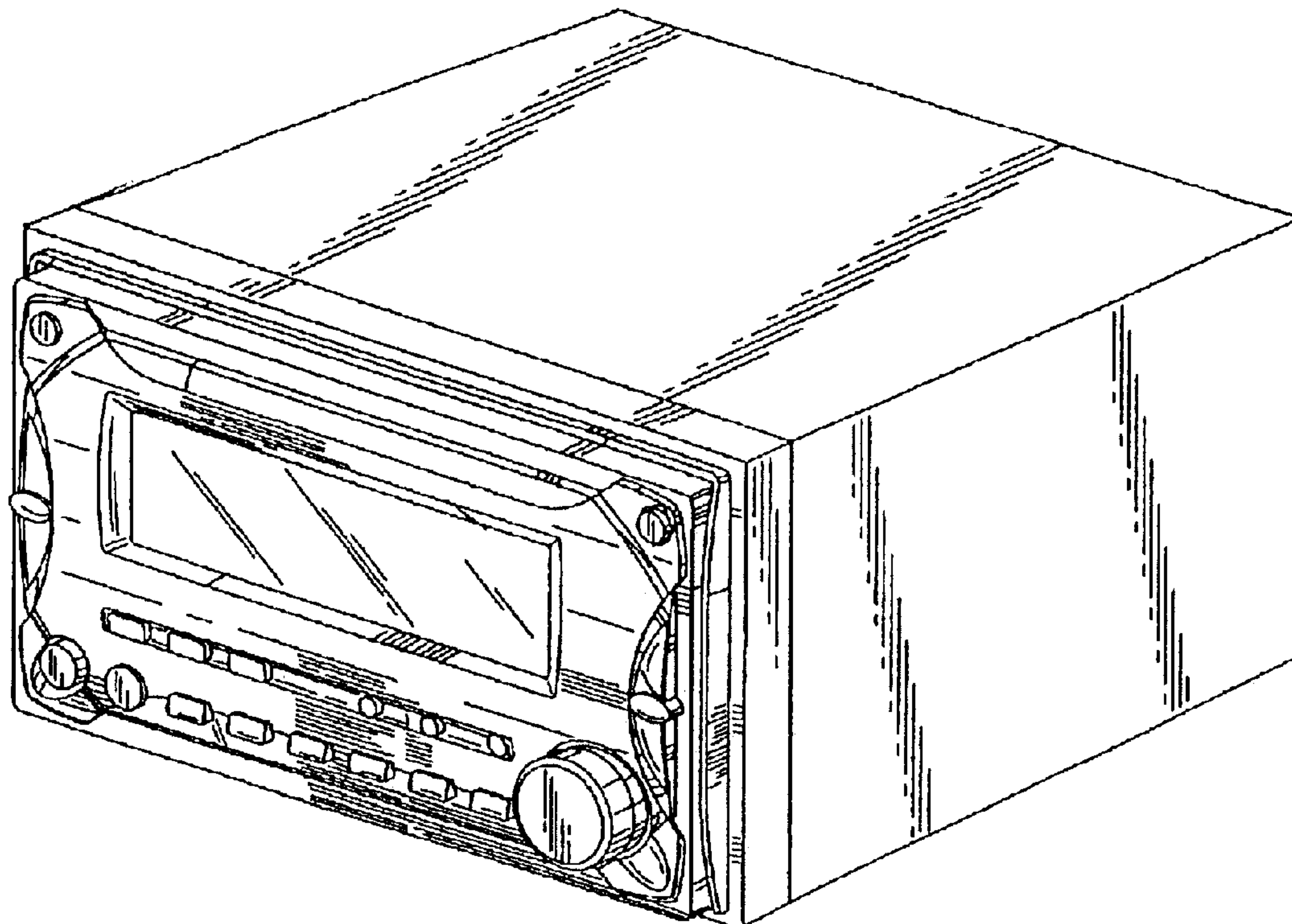
FIG. 6 is a top view thereof.

(56) **References Cited**

U.S. PATENT DOCUMENTS

4,674,080 A * 6/1987 Higuchi et al. 369/77.2
5,848,042 A * 12/1998 Takahashi et al. 369/75.1

1 Claim, 6 Drawing Sheets



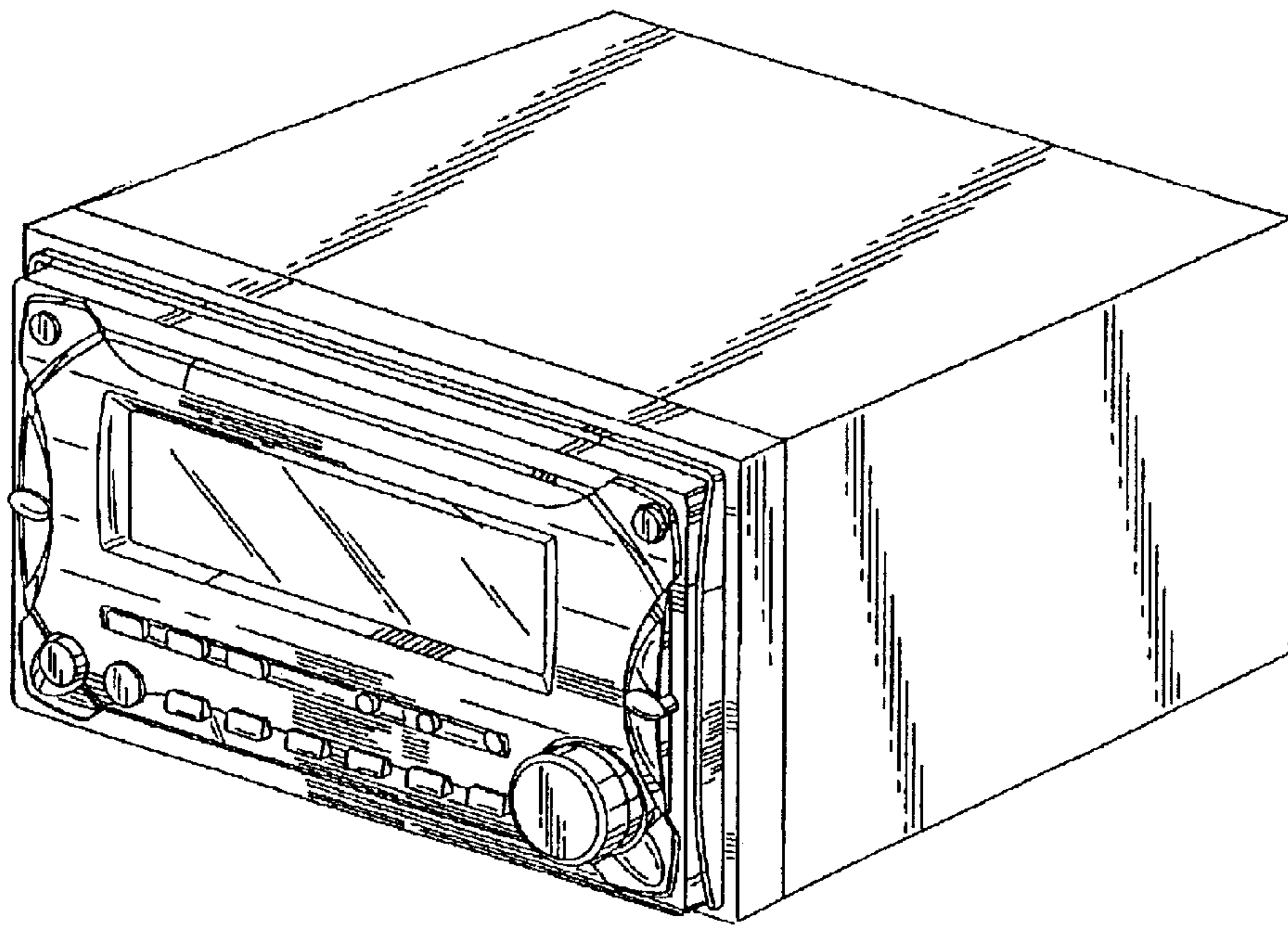


FIG. 1

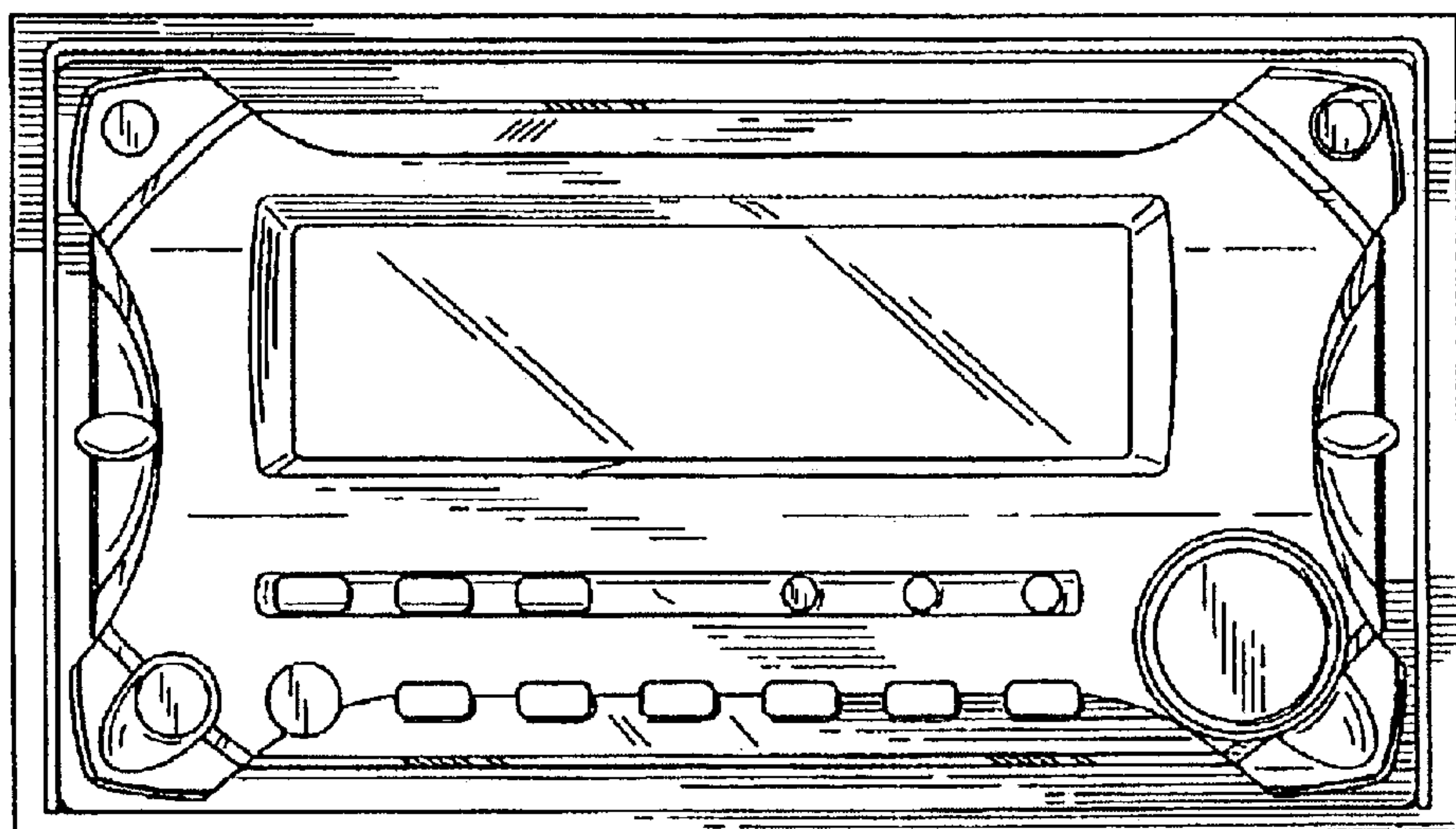


FIG. 2

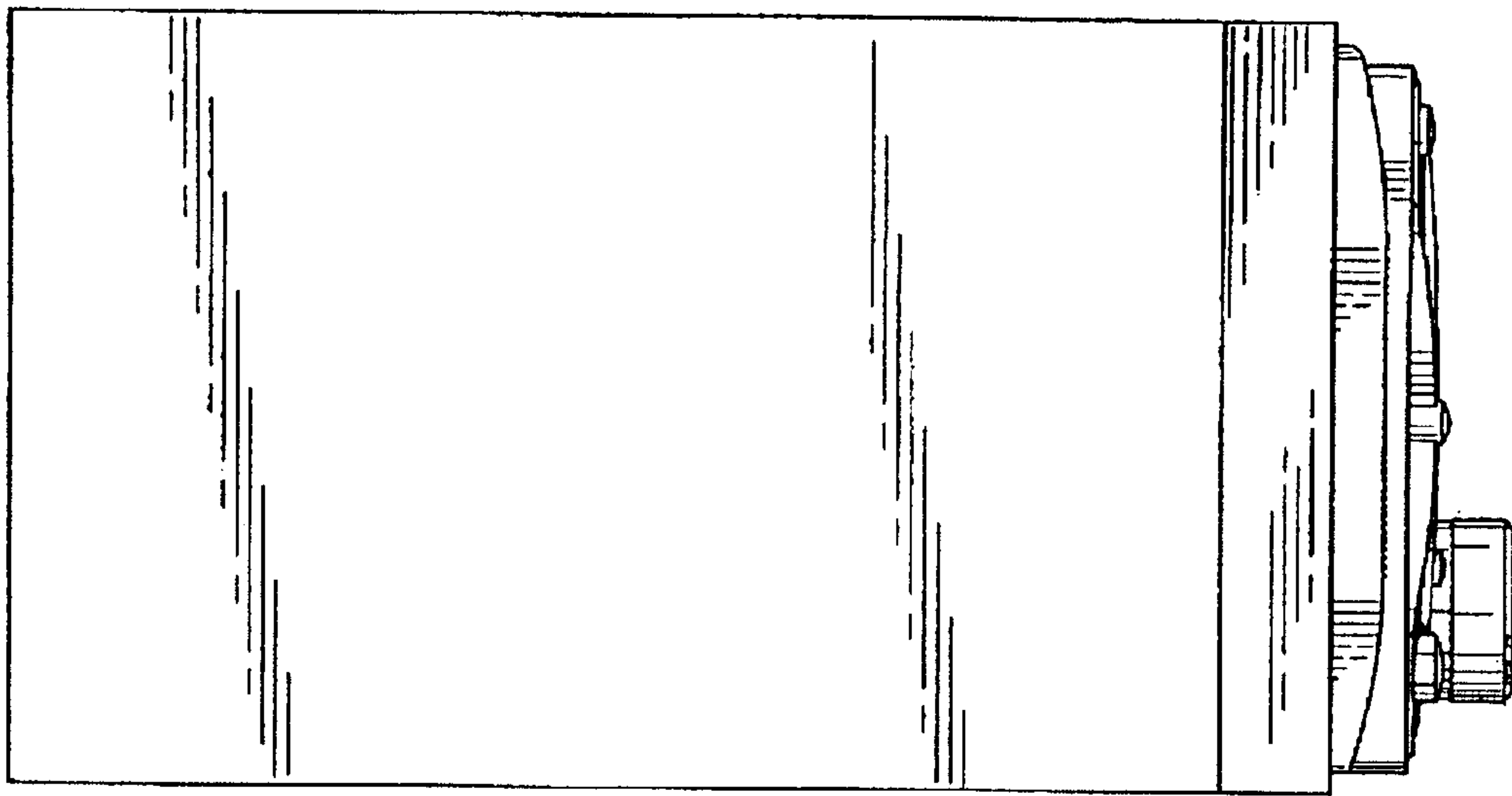


FIG. 3

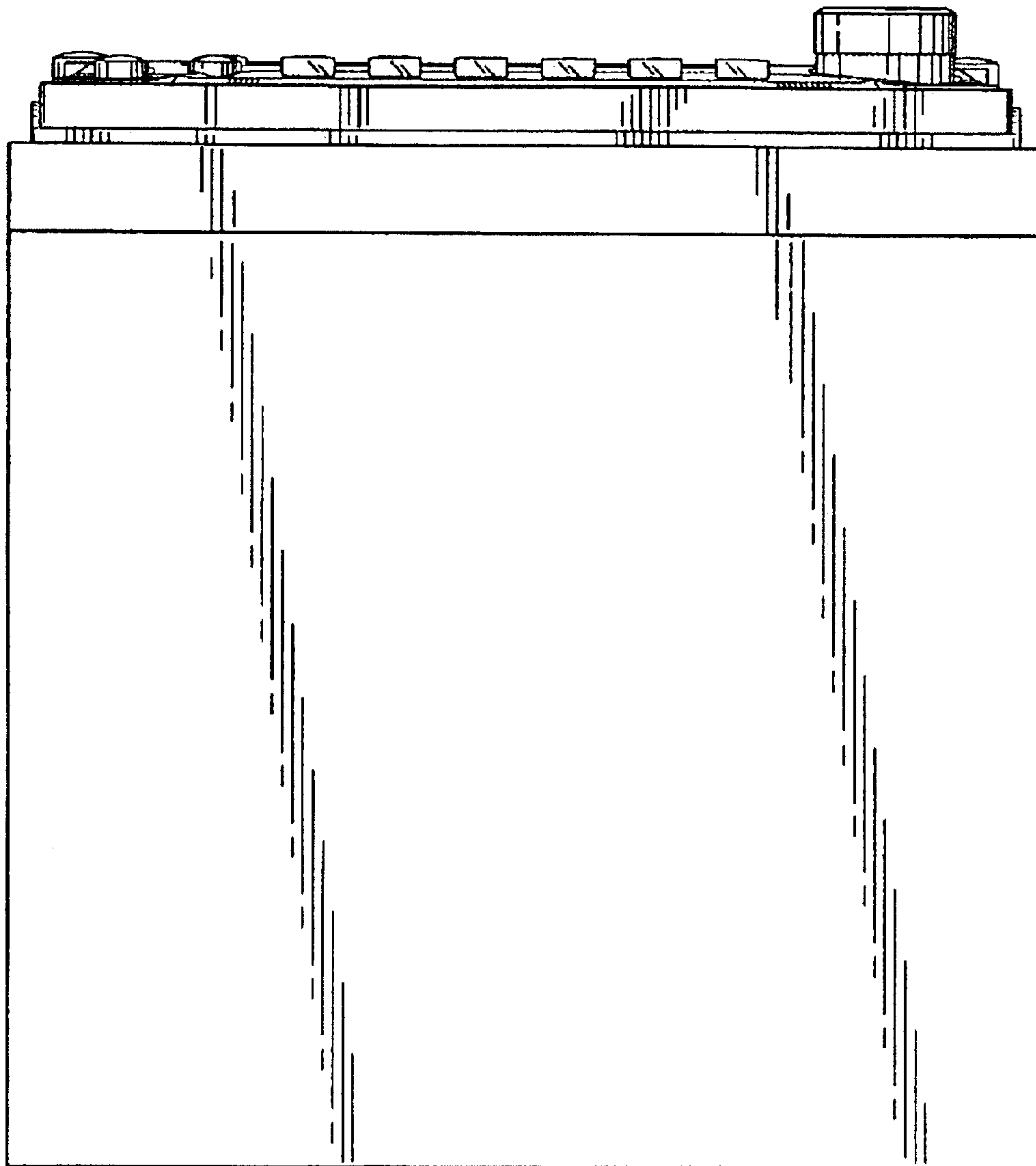


FIG. 4

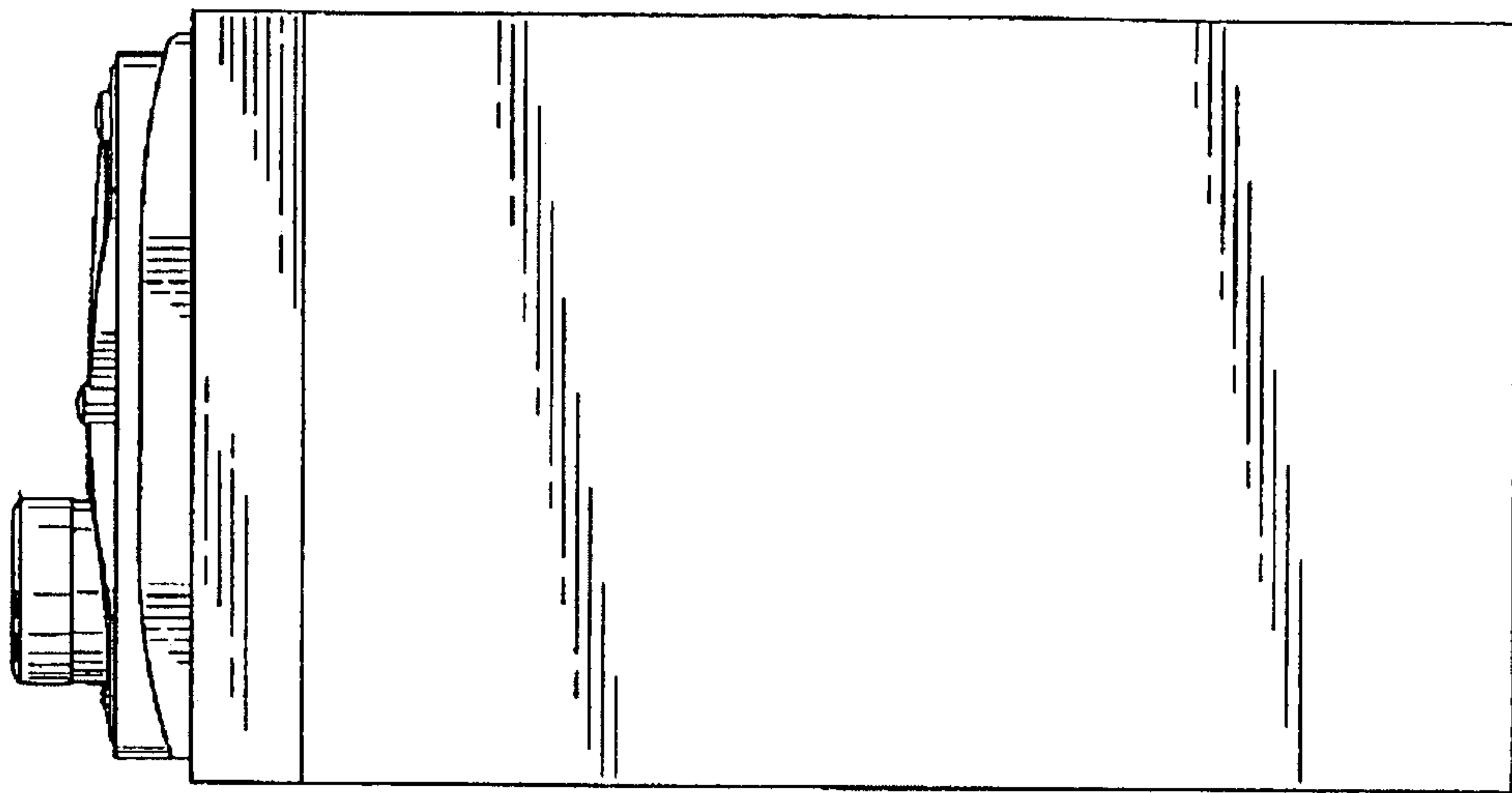


FIG. 5

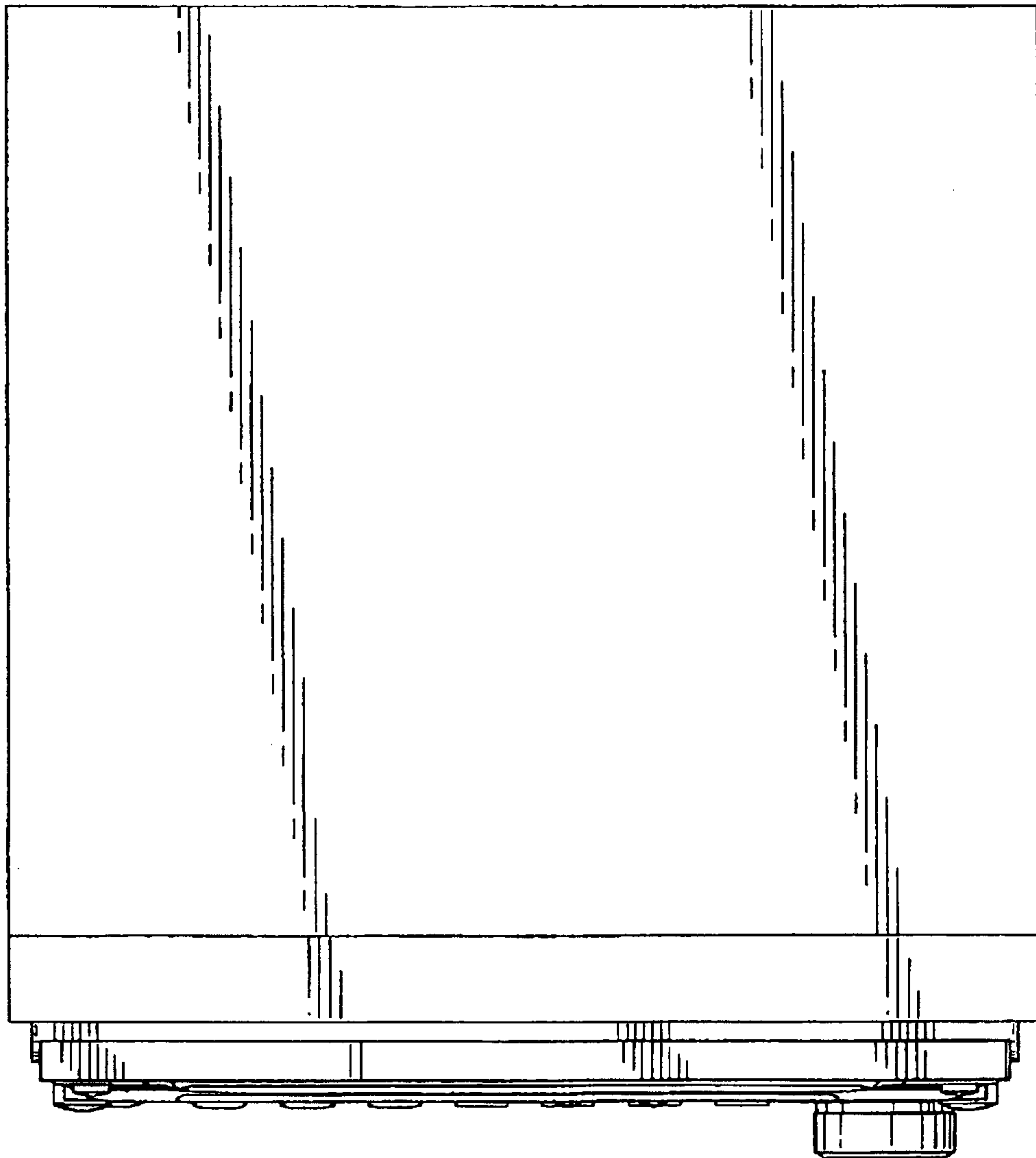


FIG. 6