

US00D492935S1

(12) **United States Design Patent**  
**Mitsubishi et al.**

(10) **Patent No.:** **US D492,935 S**

(45) **Date of Patent:** **\*\* Jul. 13, 2004**

(54) **CONNECTOR**

(75) Inventors: **Seiichiro Mitsuhashi**, Tokyo (JP);  
**Yasuhiro Ono**, Tokyo (JP); **Tosio Endou**, Tokyo (JP); **Masaaki Ooya**, Tokyo (JP)

(73) Assignee: **Yamaichi Electronics Co., Ltd.**, Tokyo (JP)

(\*\*) Term: **14 Years**

(21) Appl. No.: **29/194,450**

(22) Filed: **Nov. 25, 2003**

(30) **Foreign Application Priority Data**

May 26, 2003 (JP) ..... 2003-014488

(51) **LOC (7) Cl.** ..... **13-03**

(52) **U.S. Cl.** ..... **D13/147**

(58) **Field of Search** ..... D13/147; 439/260, 439/325, 329, 422, 492-499, 660

(56) **References Cited**

**U.S. PATENT DOCUMENTS**

- D371,542 S \* 7/1996 Takayasu ..... D13/147
- 5,800,204 A \* 9/1998 Niitsu ..... 439/495
- 5,906,504 A \* 5/1999 Igarashi et al. .... 439/495
- 6,099,346 A \* 8/2000 Hashiguchi et al. .... 439/495

- D444,130 S \* 6/2001 Hayashi et al. .... D13/147
- D457,138 S \* 5/2002 Igarashi ..... D13/147
- D468,268 S \* 1/2003 Zhong ..... D13/147

\* cited by examiner

*Primary Examiner*—Philip S. Hyder

*Assistant Examiner*—Selina Sikder

(74) *Attorney, Agent, or Firm*—Finnegan, Henderson, Farabow, Garrett & Dunner, LLP

(57) **CLAIM**

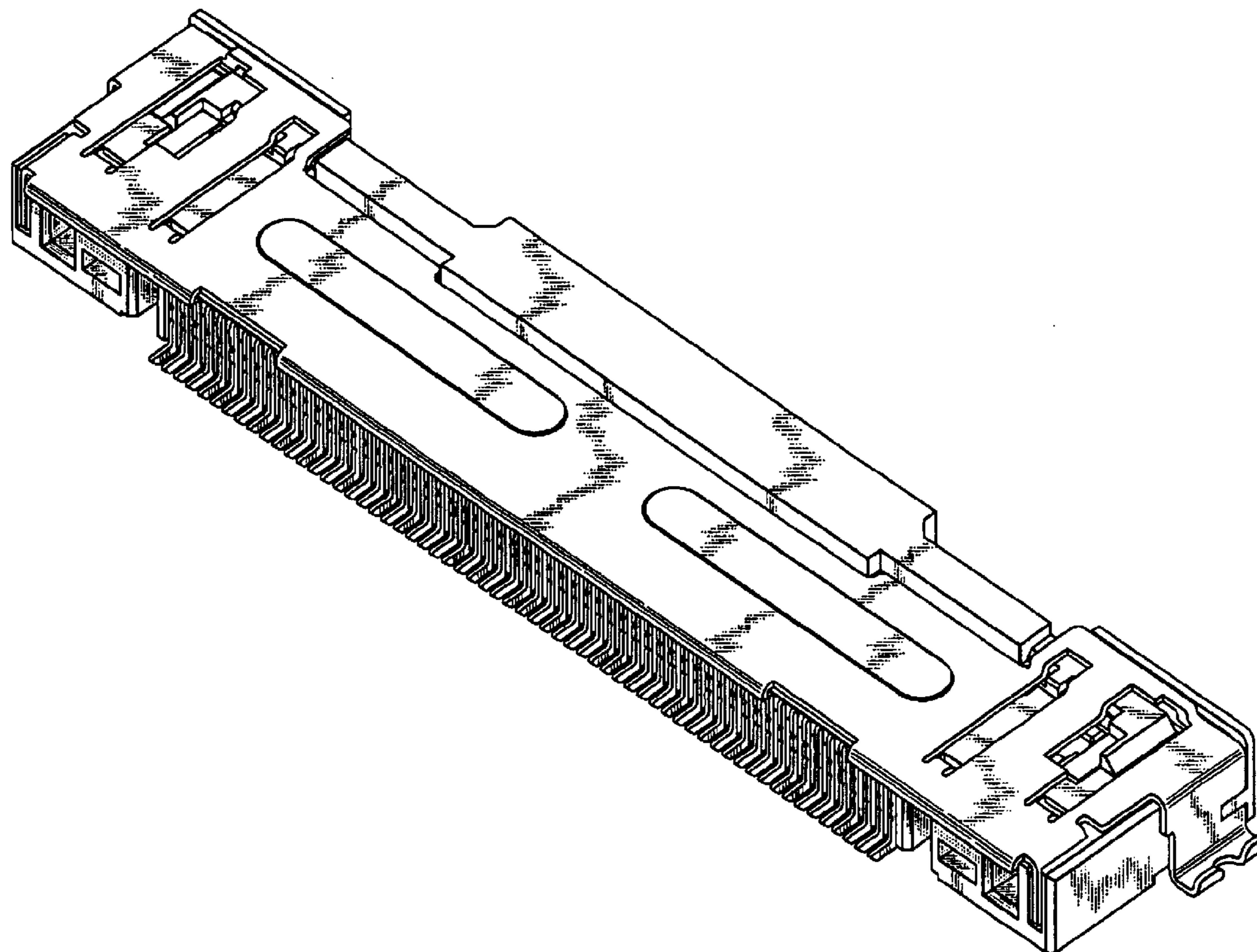
The ornamental design for a connector, as shown and described.

**DESCRIPTION**

FIG. 1 is a rear view of a connector;  
 FIG. 2 is a front view of FIG. 1;  
 FIG. 3 is a plan view of FIG. 1;  
 FIG. 4 is a bottom view of FIG. 1,  
 FIG. 5 is a right side view of FIG. 1,  
 FIG. 6 is a left side view of FIG. 1,  
 FIG. 7 is a top perspective view of FIG. 1.  
 FIG. 8 is a bottom perspective view of FIG. 1; and,  
 FIG. 9 is a perspective view of FIG. 1, showing the connector of FIG. 1 in use.

The broken line showing of the environment is for illustrative purpose only and forms no part of the claimed design.

**1 Claim, 8 Drawing Sheets**



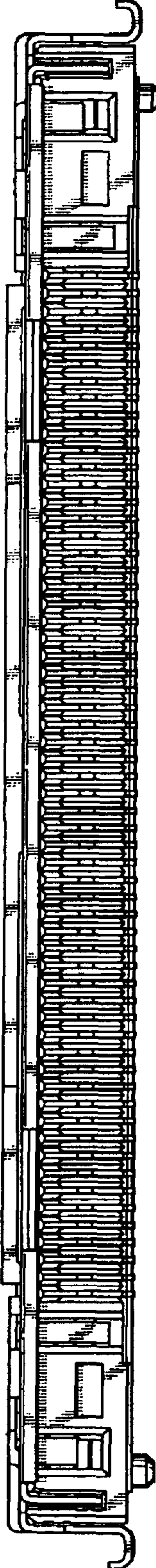


FIG.1

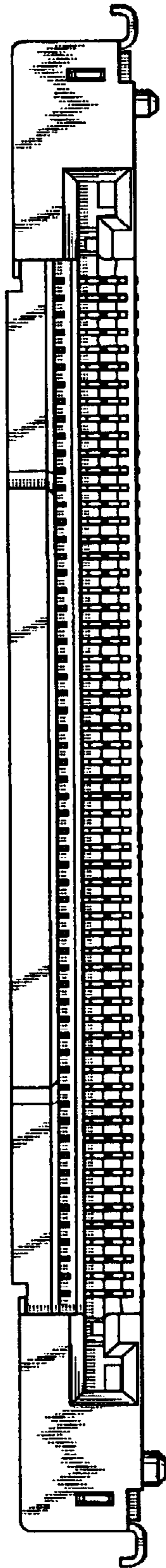


FIG.2

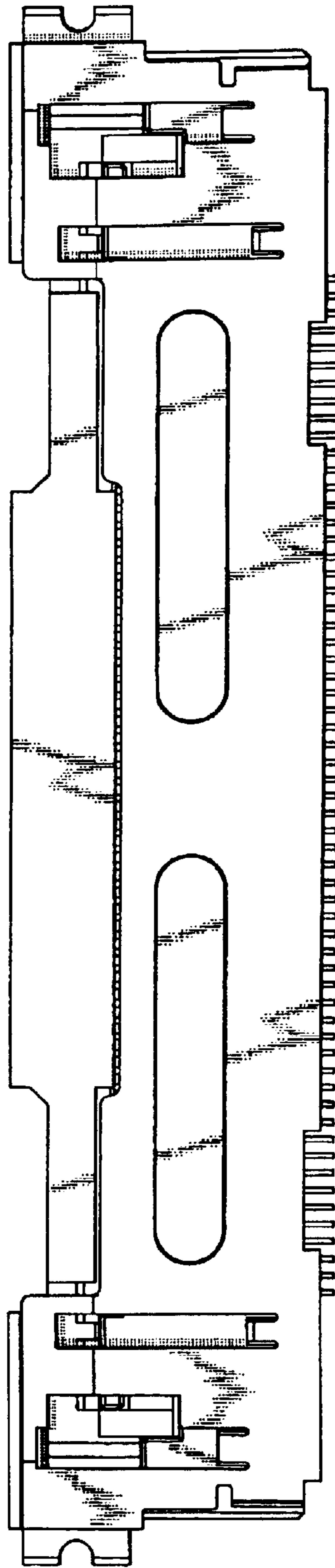


FIG.3

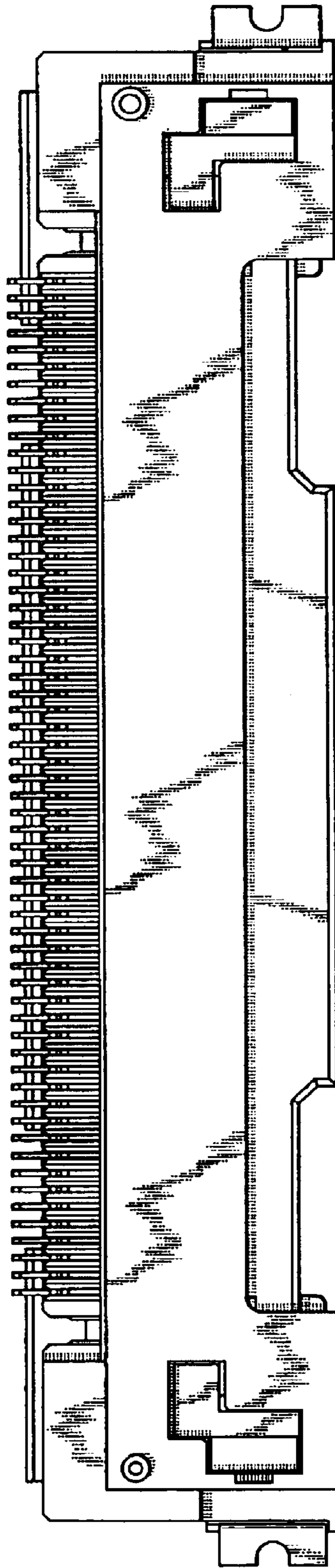
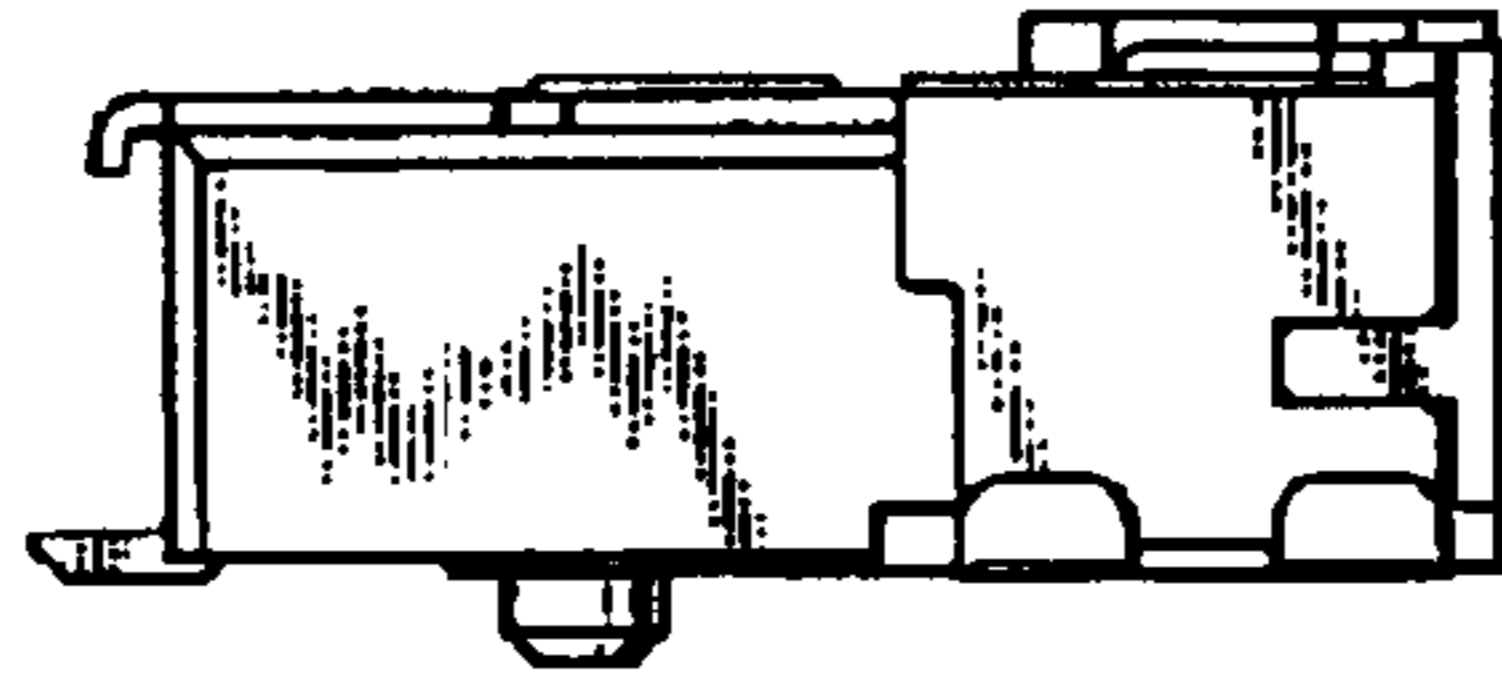
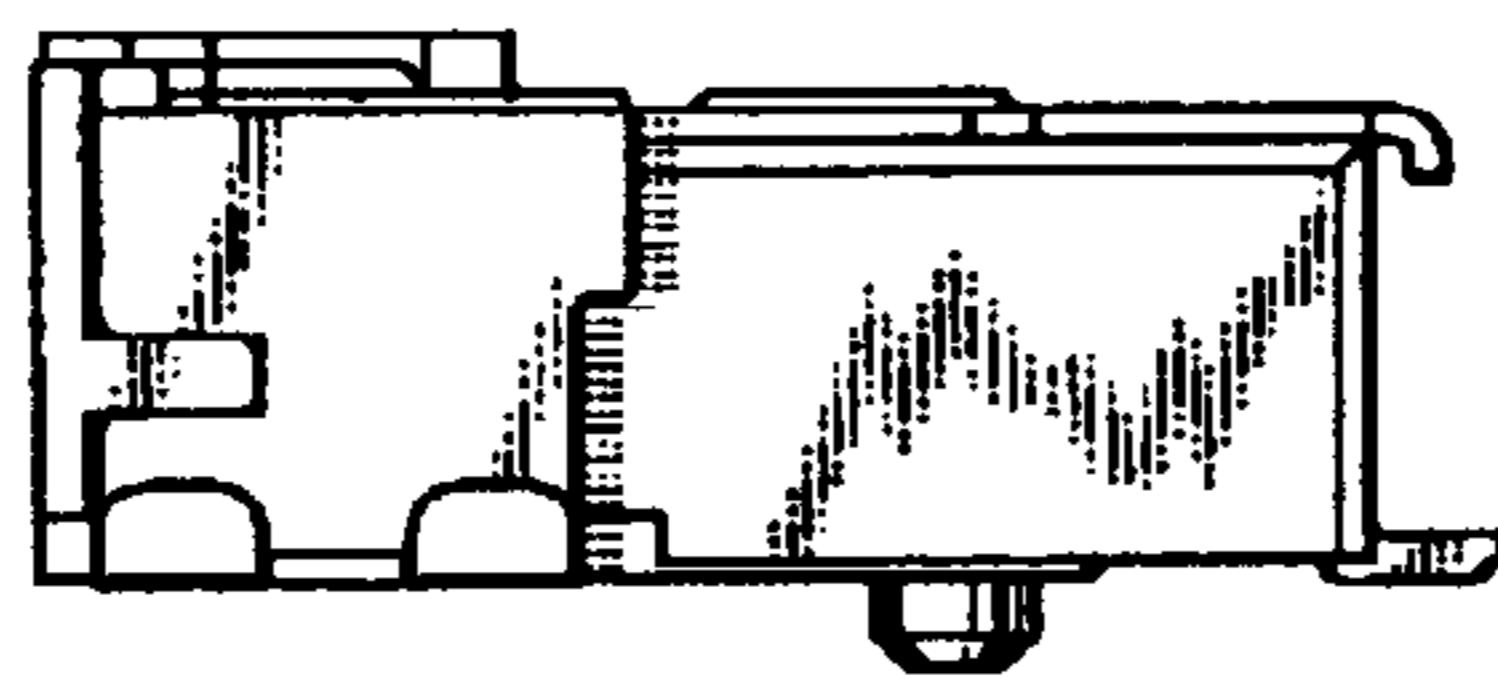


FIG.4



**FIG. 5**



**FIG. 6**

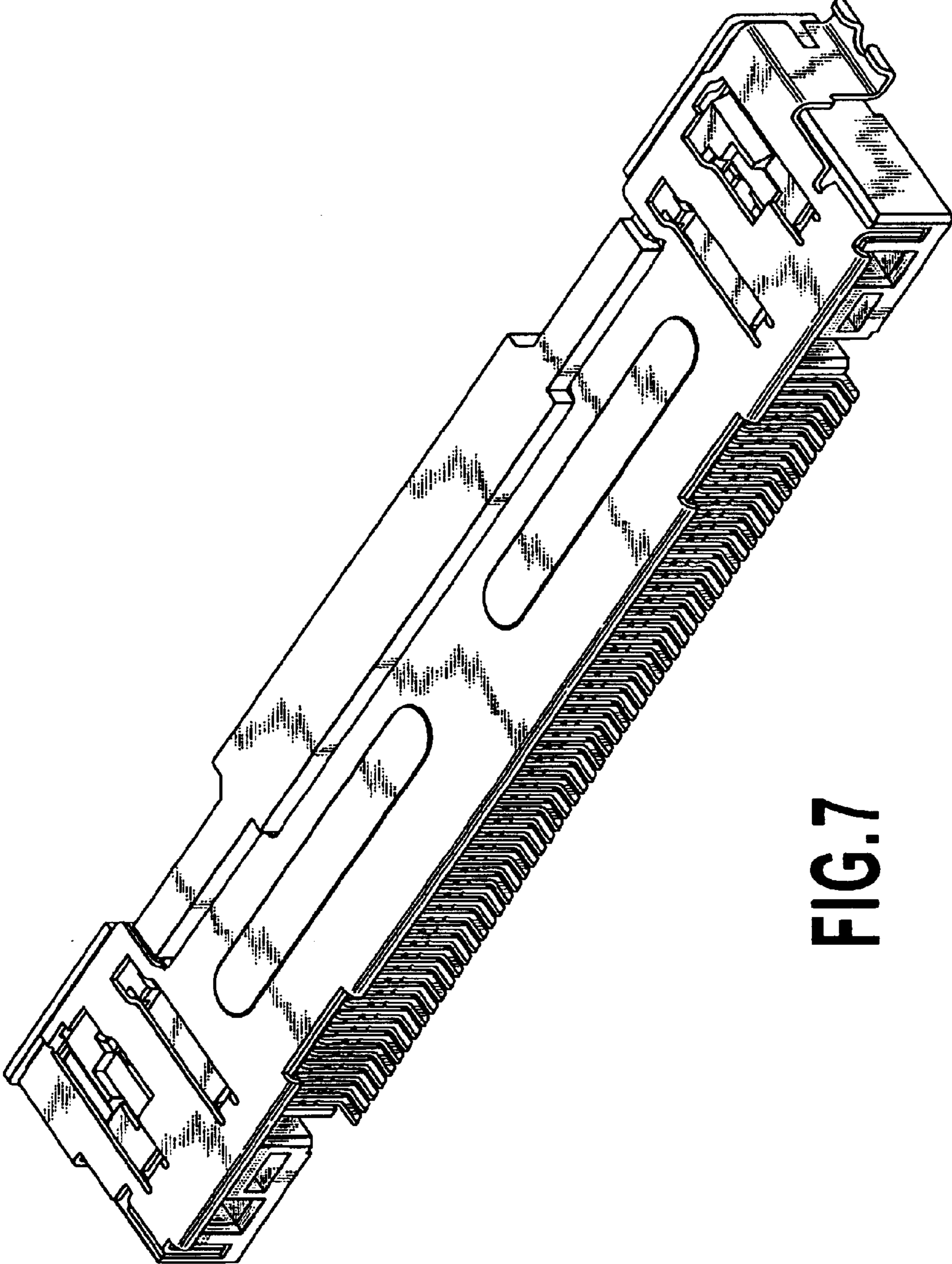


FIG. 7

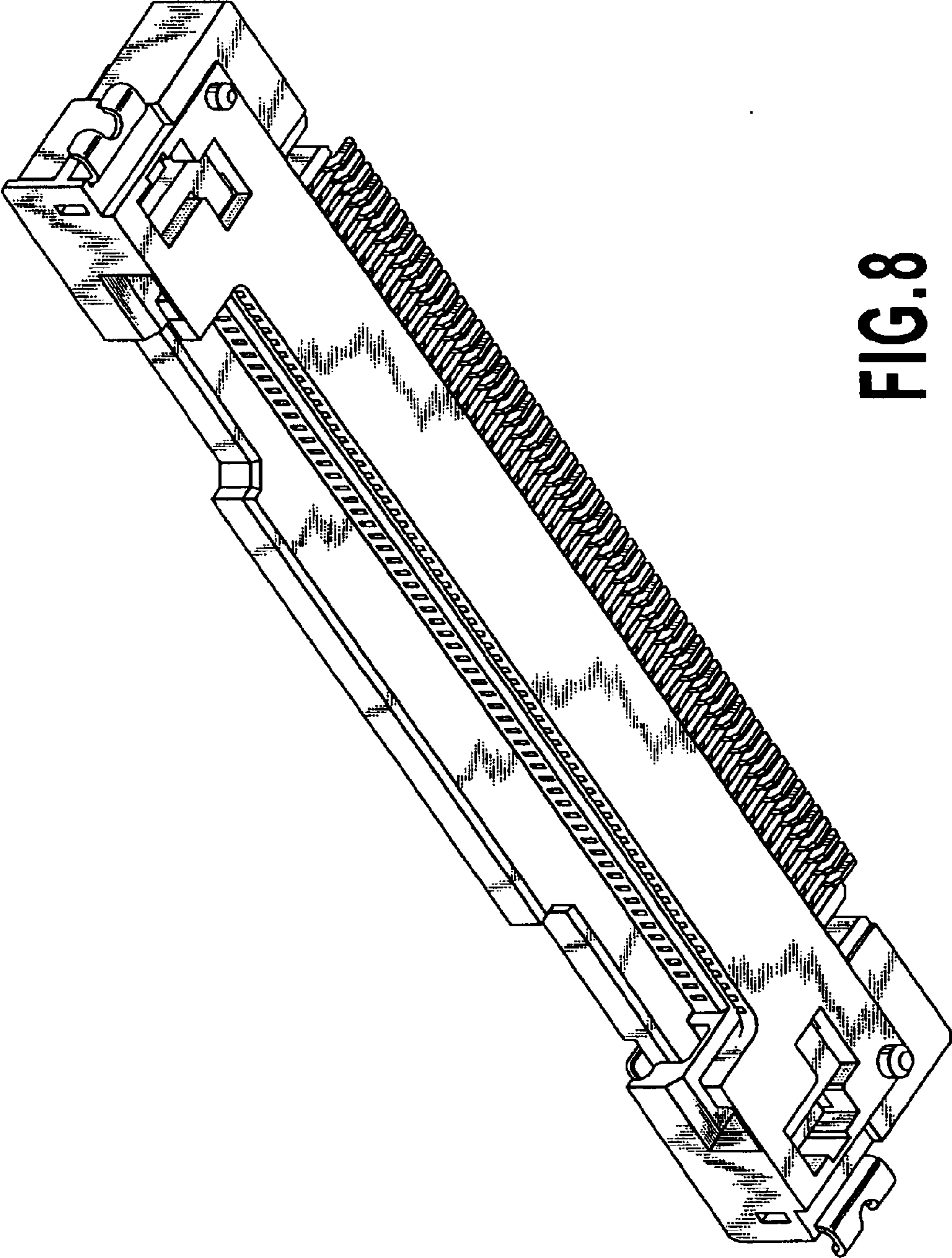


FIG. 8



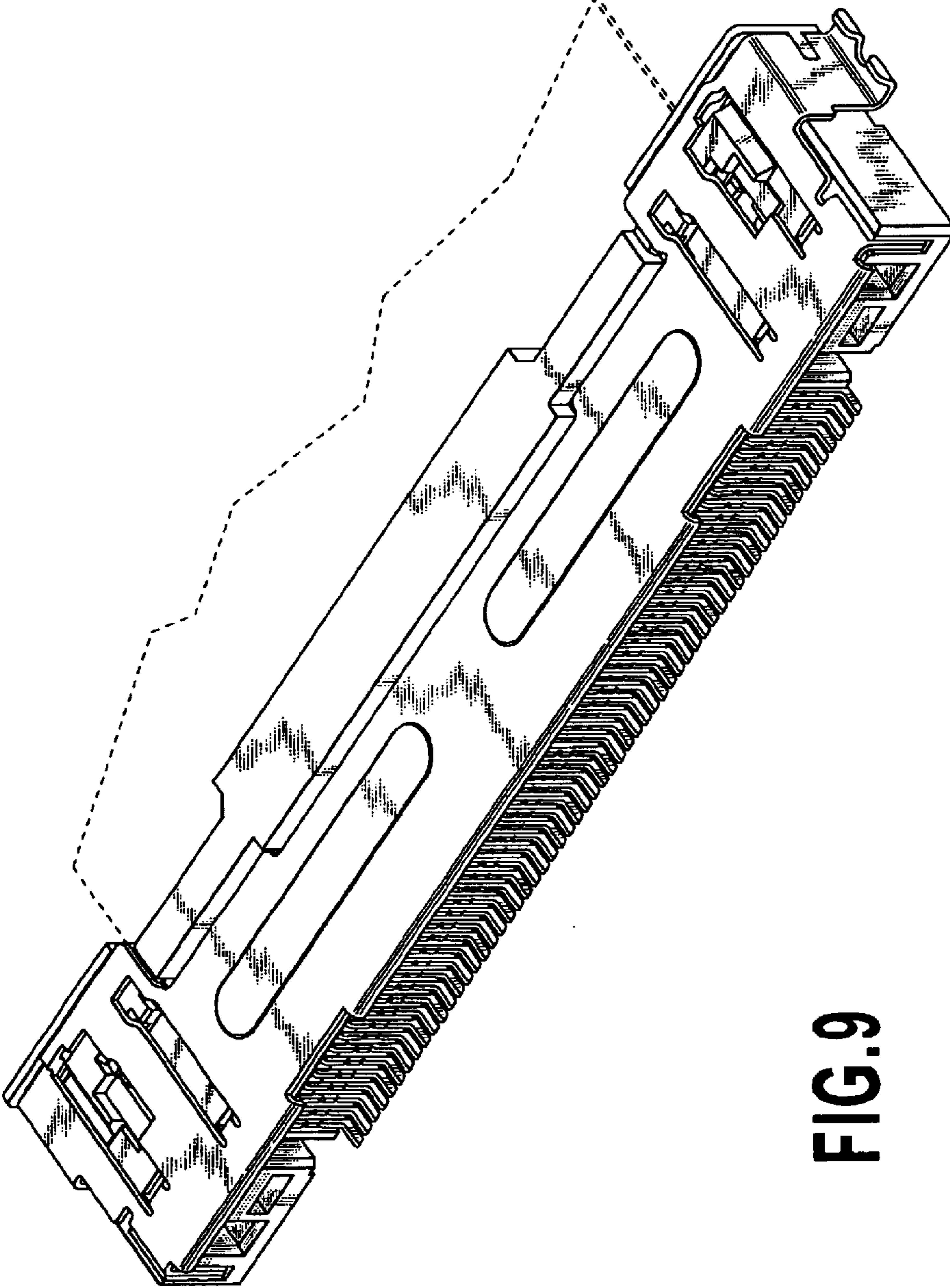


FIG. 9