

US00D492928S1

(12) **United States Design Patent**  
**Pond**

(10) **Patent No.:** **US D492,928 S**

(45) **Date of Patent:** **\*\* Jul. 13, 2004**

(54) **HOSE GUIDE WHEEL CHOCK**

(76) **Inventor:** **Jay R. Pond**, 7240 S. Pearl Cir.,  
Midvale, UT (US) 84047

(\*\*) **Term:** **14 Years**

(21) **Appl. No.:** **29/187,939**

(22) **Filed:** **Aug. 11, 2003**

(51) **LOC (7) Cl.** ..... **12-06**

(52) **U.S. Cl.** ..... **D12/217**

(58) **Field of Search** ..... D8/349, 354, 356,  
D8/366, 373, 380, 402; 24/570; 138/110;  
188/32, 64; 226/196.1; 242/157 R, 615,  
61; 248/75, 80, 300; D12/217

(56) **References Cited**

**U.S. PATENT DOCUMENTS**

3,026,973	A	*	3/1962	Piel	.....	188/32
4,778,135	A	*	10/1988	Legard	.....	248/75
4,836,432	A	*	6/1989	Violette	.....	242/615
4,895,225	A	*	1/1990	Parnell	.....	188/32
5,427,339	A	*	6/1995	Pauli et al.	.....	248/75
D432,902	S	*	10/2000	Thiel	.....	D8/354
6,315,001	B1	*	11/2001	Anderson	.....	138/106
6,598,826	B1	*	7/2003	Therriault	.....	242/615

6,622,960 B2 \* 9/2003 Hyde ..... 242/615  
2002/0121571 A1 \* 9/2002 Ferris et al. .... 242/615

\* cited by examiner

*Primary Examiner*—James Gandy  
*Assistant Examiner*—Elizabeth Albert

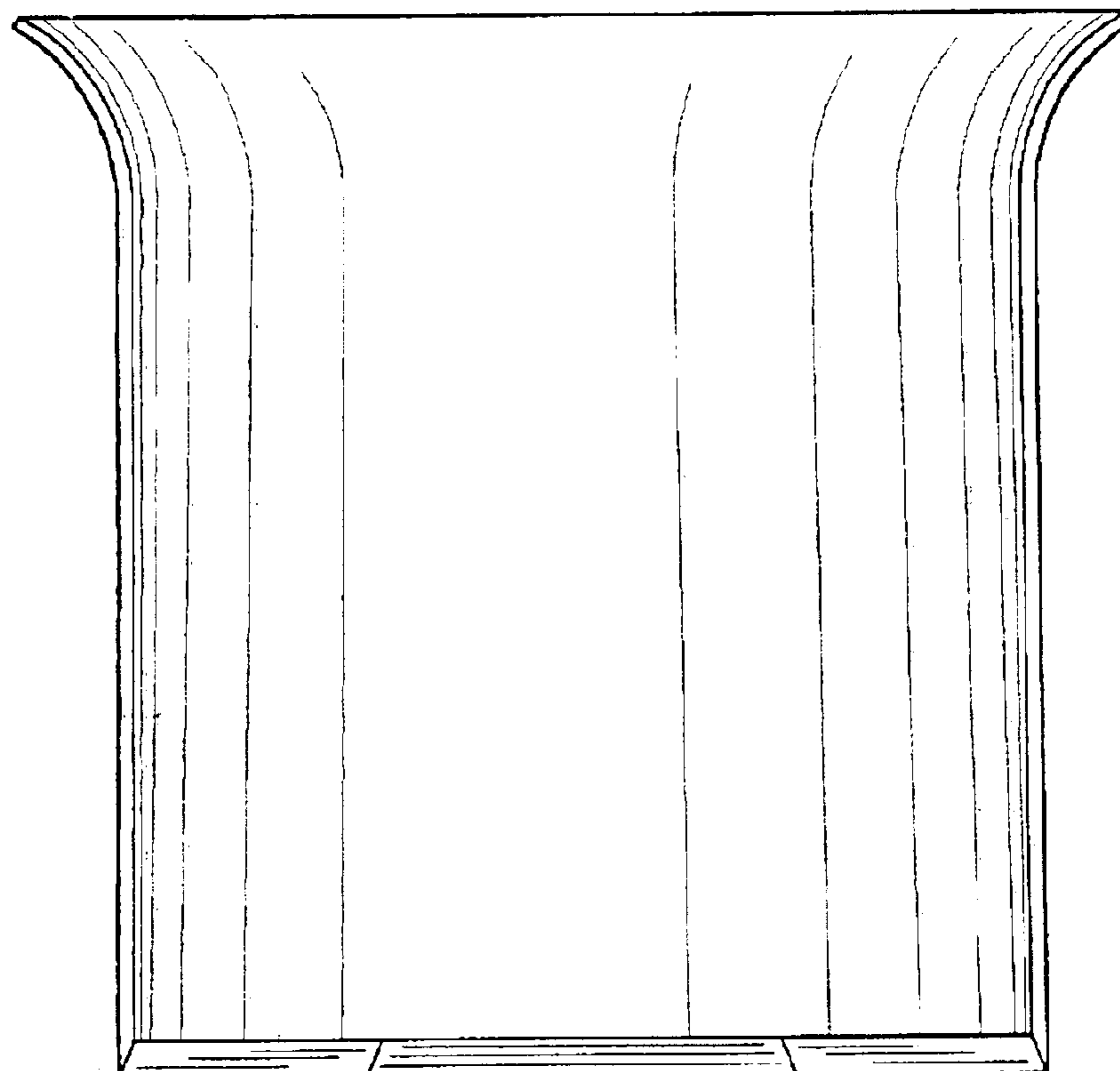
(57) **CLAIM**

The ornamental design for a hose guide wheel chock, as shown and described.

**DESCRIPTION**

FIG. 1 is a front elevation view of a hose guide wheel chock showing my new design;  
FIG. 2 is a rear elevation view of the hose guide wheel chock;  
FIG. 3 is a side elevation view of the hose guide wheel chock;  
FIG. 4 is a top plan view of the hose guide wheel chock;  
FIG. 5 is a bottom plan view of the hose guide wheel chock;  
and,  
FIG. 6 is a perspective in-use view of the hose guide wheel chock.  
The dotted lines in FIG. 6 are for illustrative purposes only and form no portion of the claimed invention.

**1 Claim, 4 Drawing Sheets**



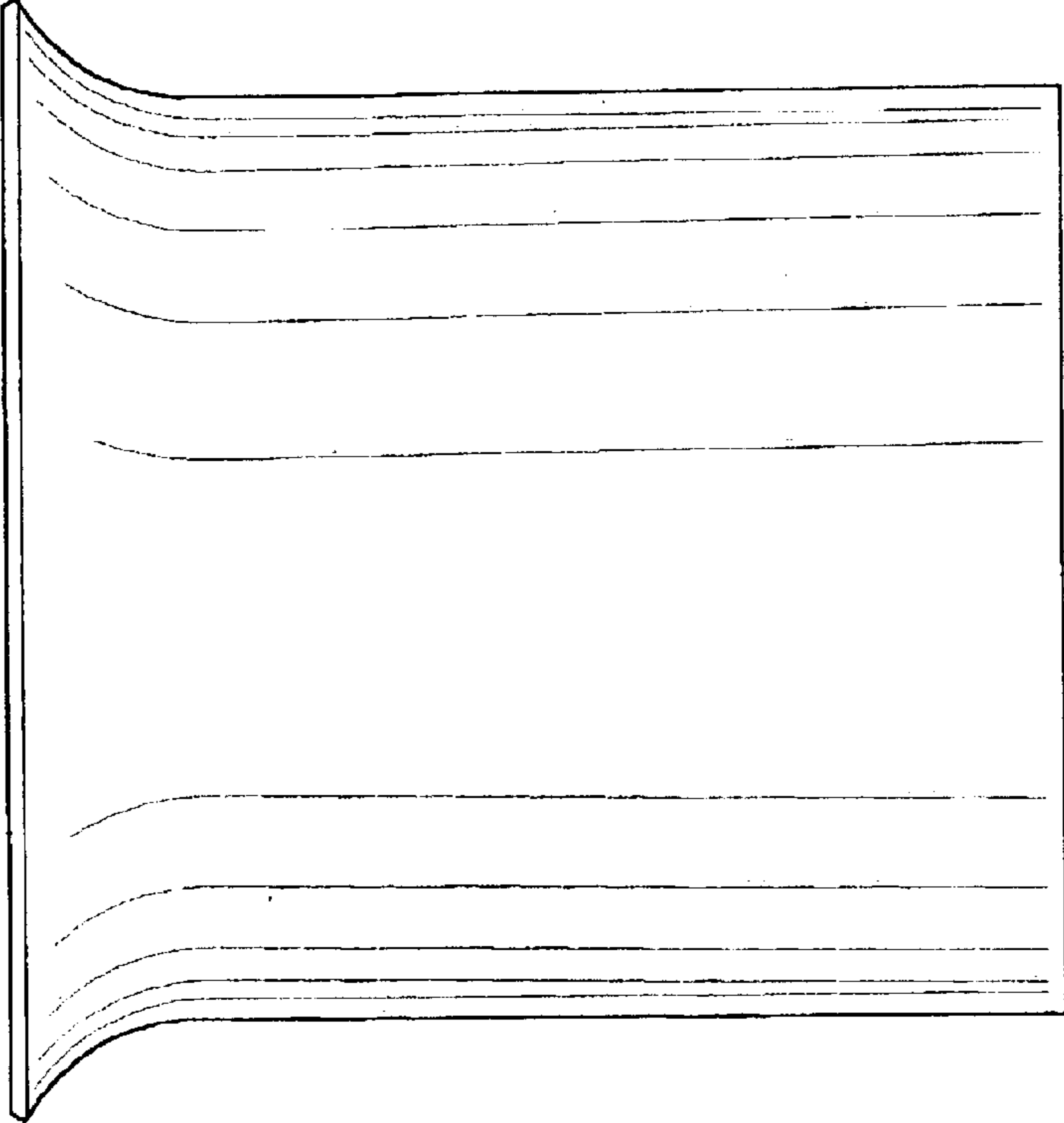


FIG. 2

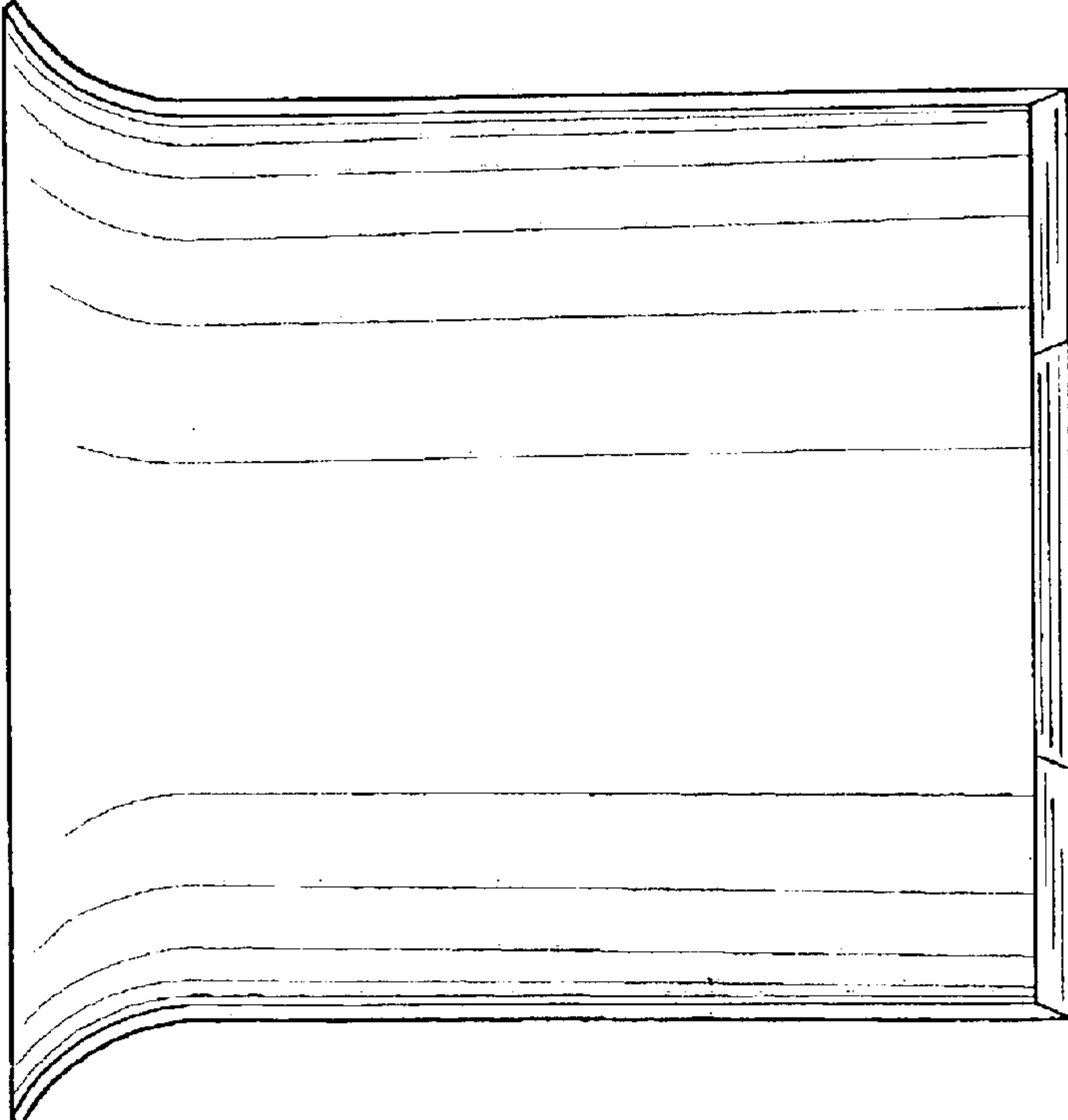


FIG. 1

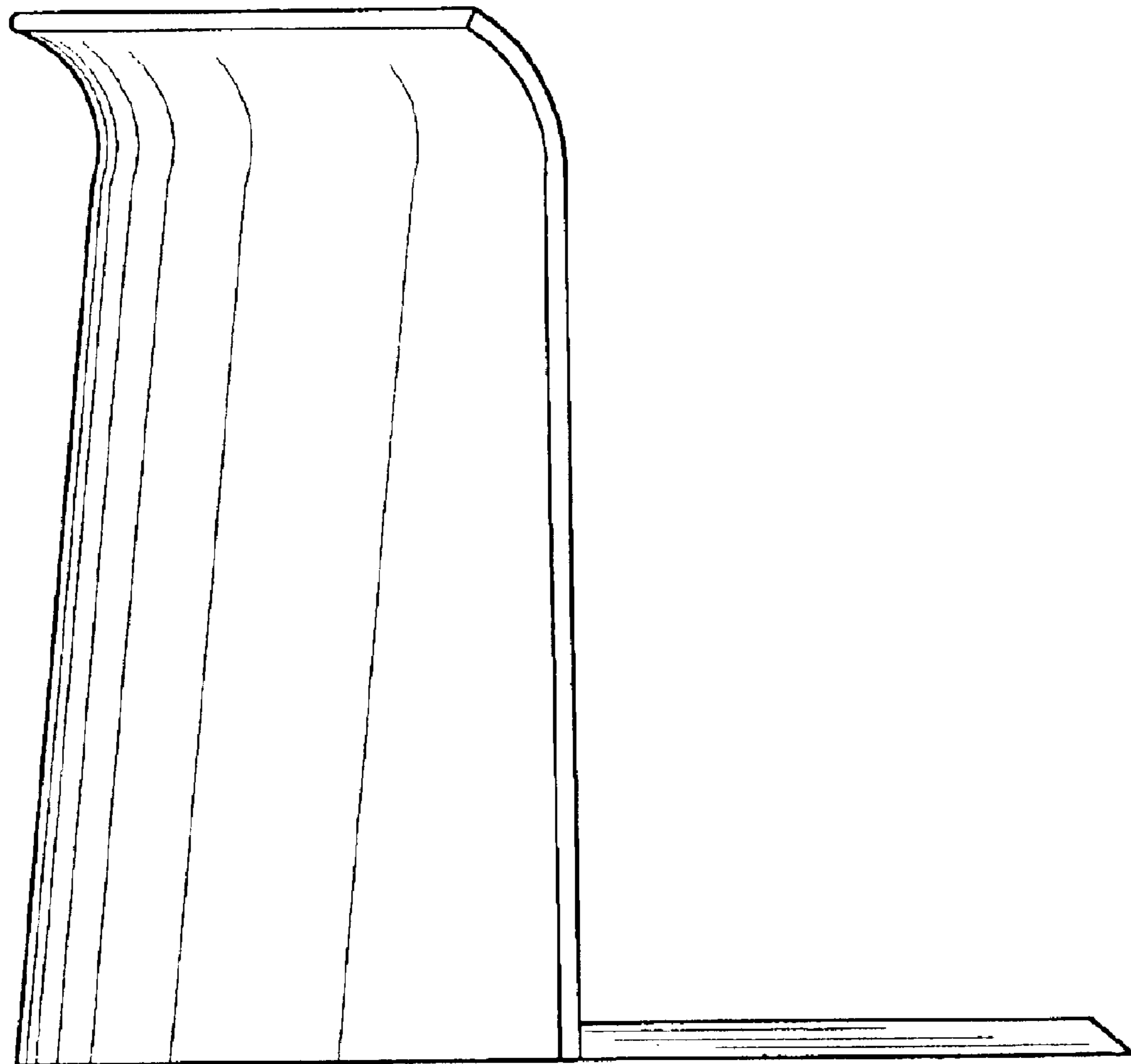


FIG. 3

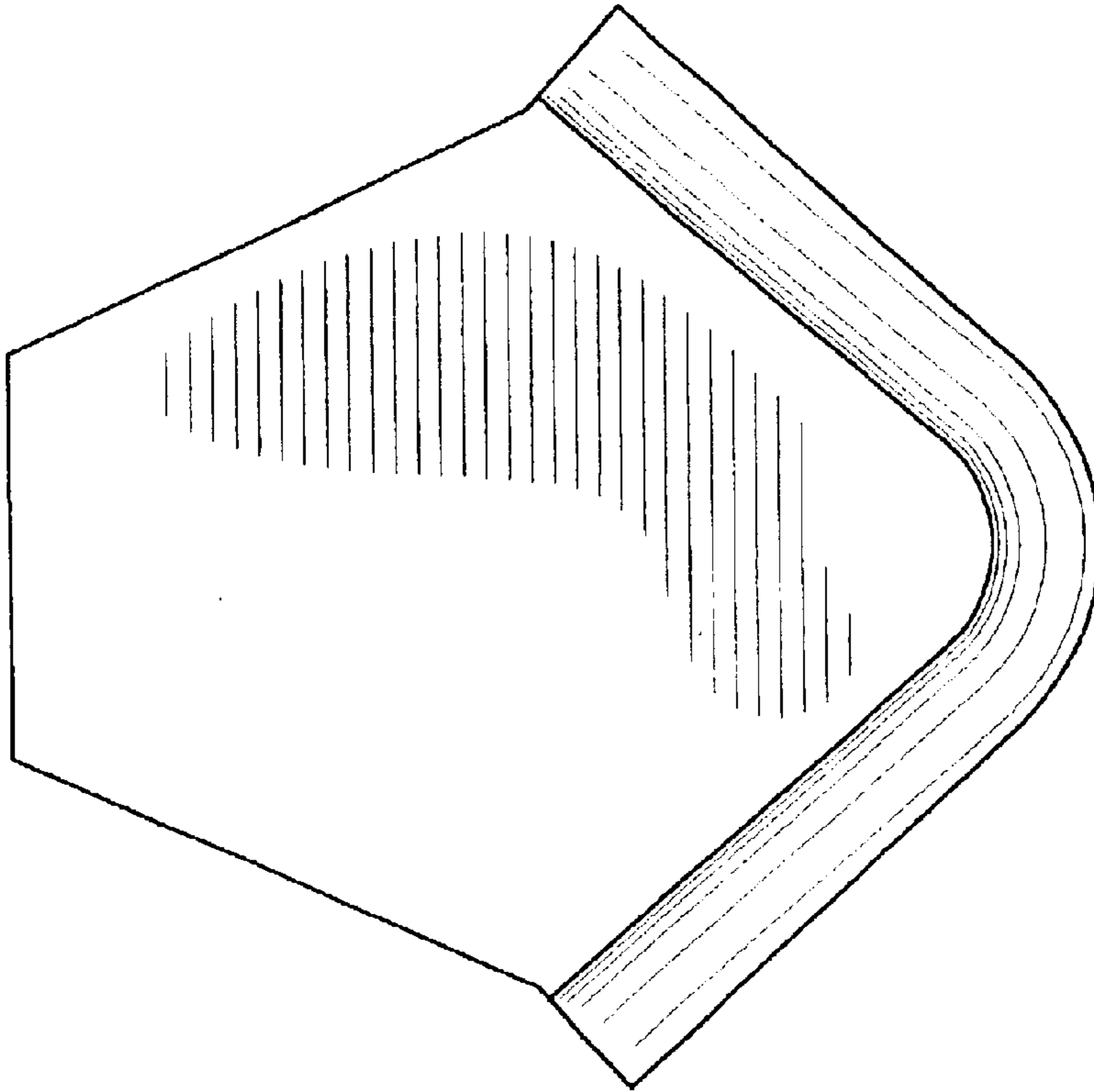


FIG. 5

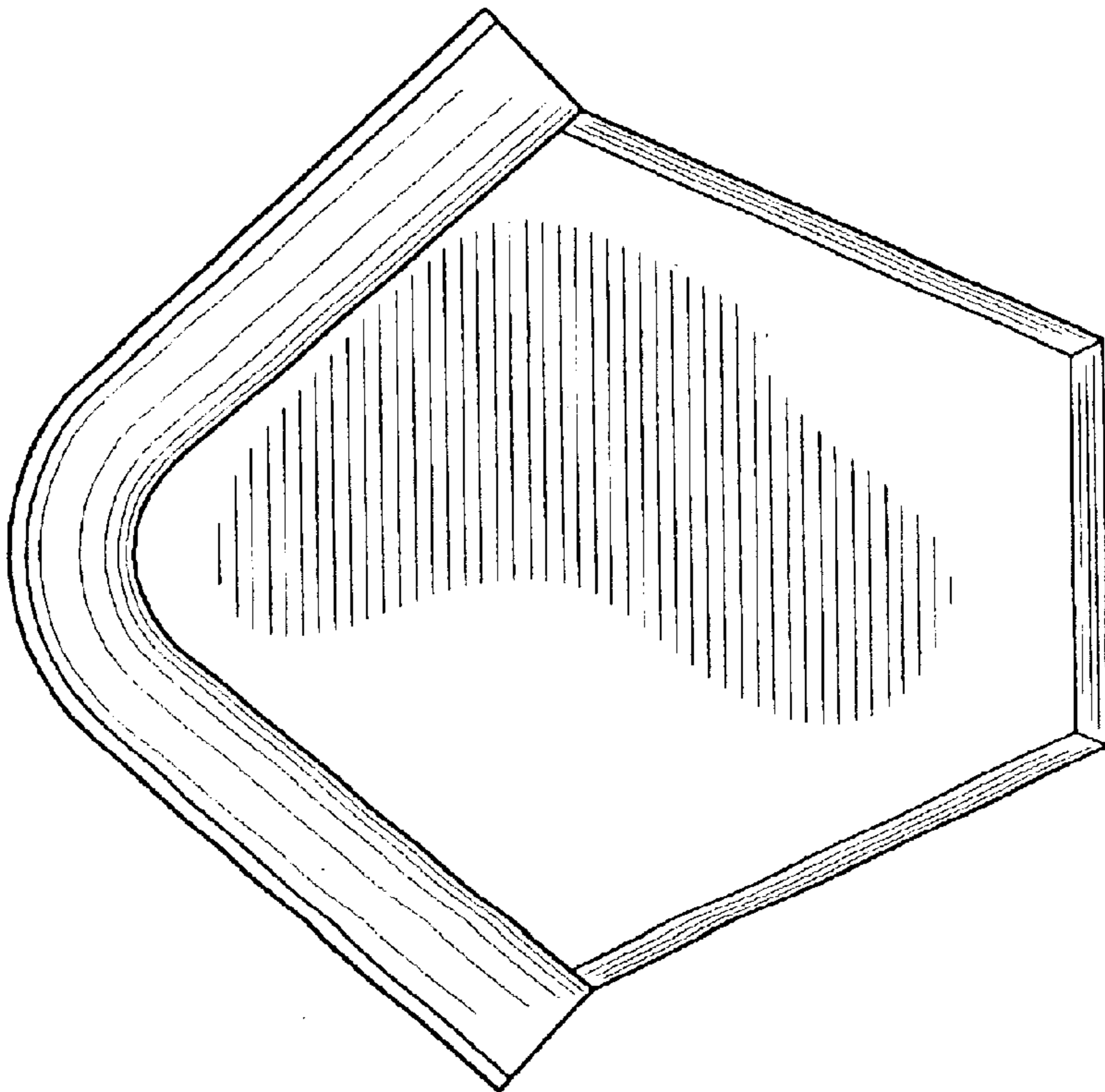


FIG. 4

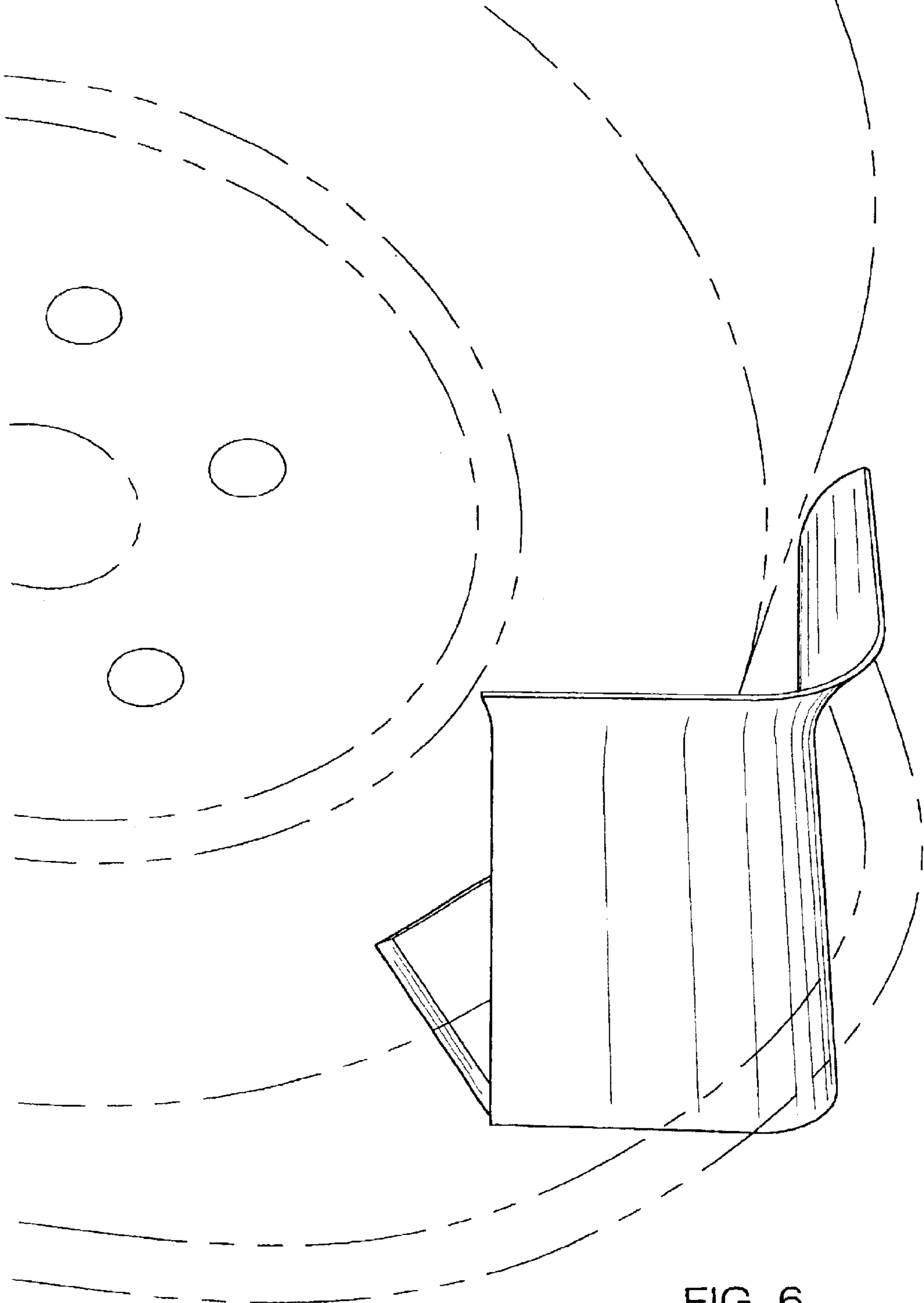


FIG. 6