

US00D492927S1

(12) **United States Design Patent**  
**Fitzgerald**

(10) **Patent No.:** **US D492,927 S**

(45) **Date of Patent:** **\*\* Jul. 13, 2004**

(54) **MOTOR VEHICLE WHEEL FRONT FACE**

(75) **Inventor:** **Kevin Fitzgerald**, Long Beach, CA  
(US)

(73) **Assignee:** **KMC Products, Inc.**, Riverside, CA  
(US)

(\*\*) **Term:** **14 Years**

(21) **Appl. No.:** **29/196,413**

(22) **Filed:** **Dec. 23, 2003**

(51) **LOC (7) Cl.** ..... **12-16**

(52) **U.S. Cl.** ..... **D12/211**

(58) **Field of Search** ..... D12/204-213;  
301/37.101, 64.101, 65

D430,843 S	*	9/2000	Sands	.....	D12/211
D433,659 S	*	11/2000	Frizzi	.....	D12/211
D460,037 S	*	7/2002	Takechi	.....	D12/211
D469,048 S	*	1/2003	van Hooydonk	.....	D12/209
D477,262 S	*	7/2003	Koch	.....	D12/209
D481,663 S	*	11/2003	Maifrini	.....	D12/211
D482,308 S	*	11/2003	Lee	.....	D12/211
D484,085 S	*	12/2003	Tirado	.....	D12/211
D487,046 S	*	2/2004	Yamagishi	.....	D12/209

\* cited by examiner

*Primary Examiner*—Stacia Cadmus

(74) *Attorney, Agent, or Firm*—Dykema Gossett PLLC

(57) **CLAIM**

The ornamental design for a motor vehicle wheel front face, as shown and described.

**DESCRIPTION**

FIG. 1 is a front perspective view of a motor vehicle wheel front face showing my new design; and, FIG. 2 is a front elevational view of the wheel shown in FIG. 1.

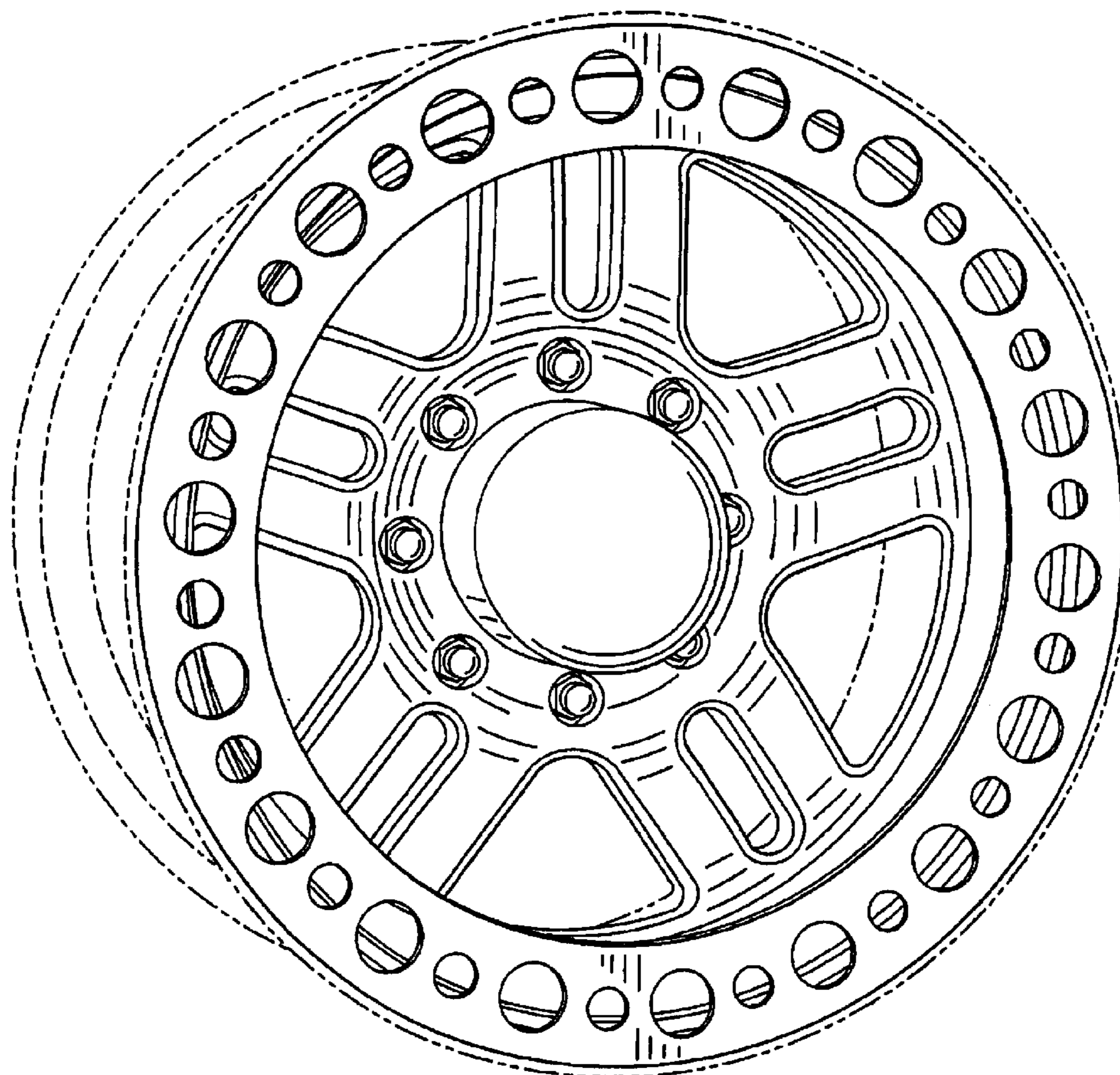
The phantom line showing of environment is for illustrative purposes only and forms no part of the claimed design.

**1 Claim, 2 Drawing Sheets**

(56) **References Cited**

**U.S. PATENT DOCUMENTS**

D264,204 S	*	5/1982	Bauer	.....	D12/210
D327,466 S	*	6/1992	Lipper	.....	D12/210
D398,573 S	*	9/1998	Cattaneo	.....	D12/211
D412,692 S	*	8/1999	Hussaini	.....	D12/209
D422,258 S	*	4/2000	Hale, Jr.	.....	D12/211
D426,184 S	*	6/2000	Goplen	.....	D12/209



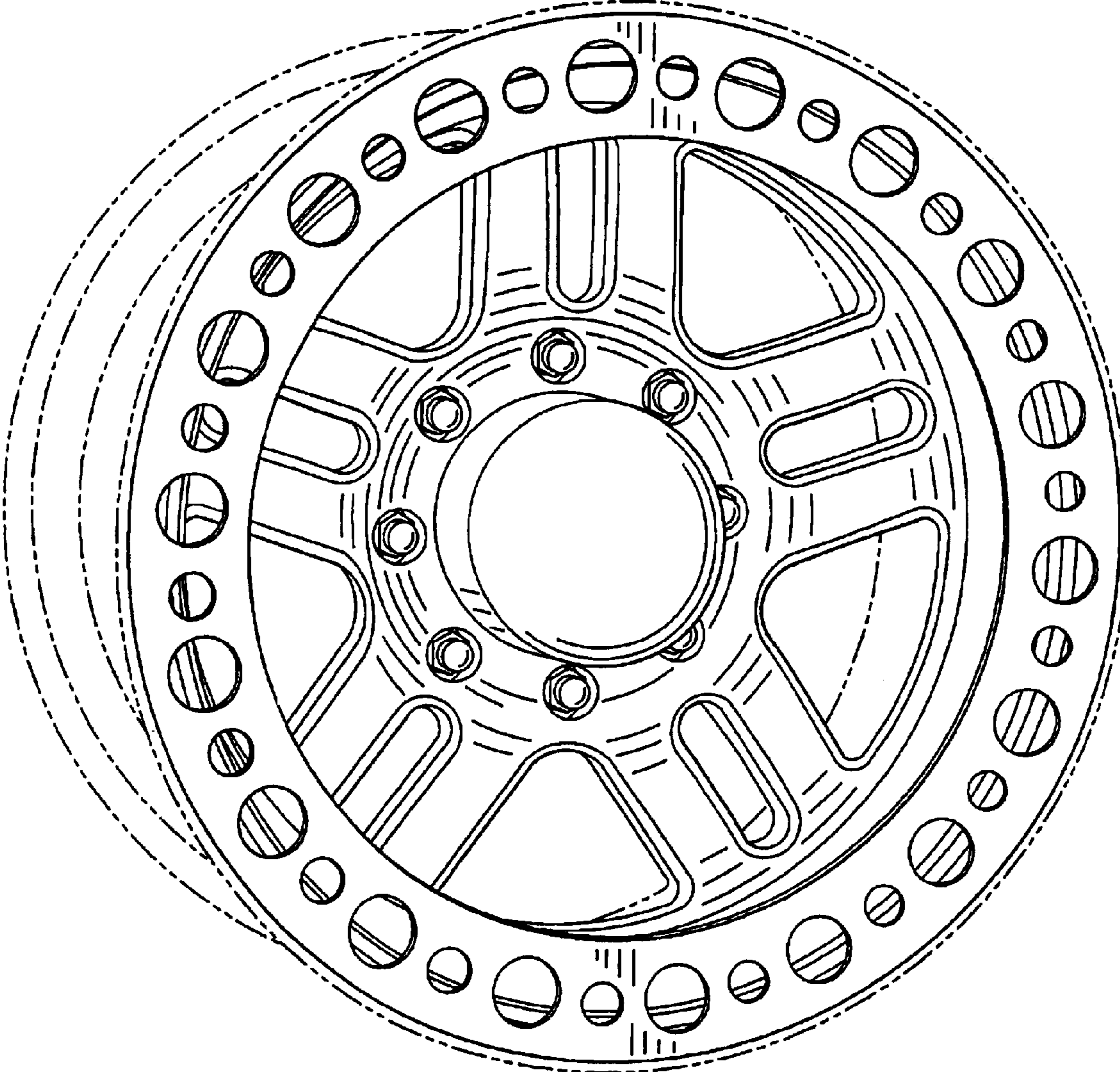


FIG. 1

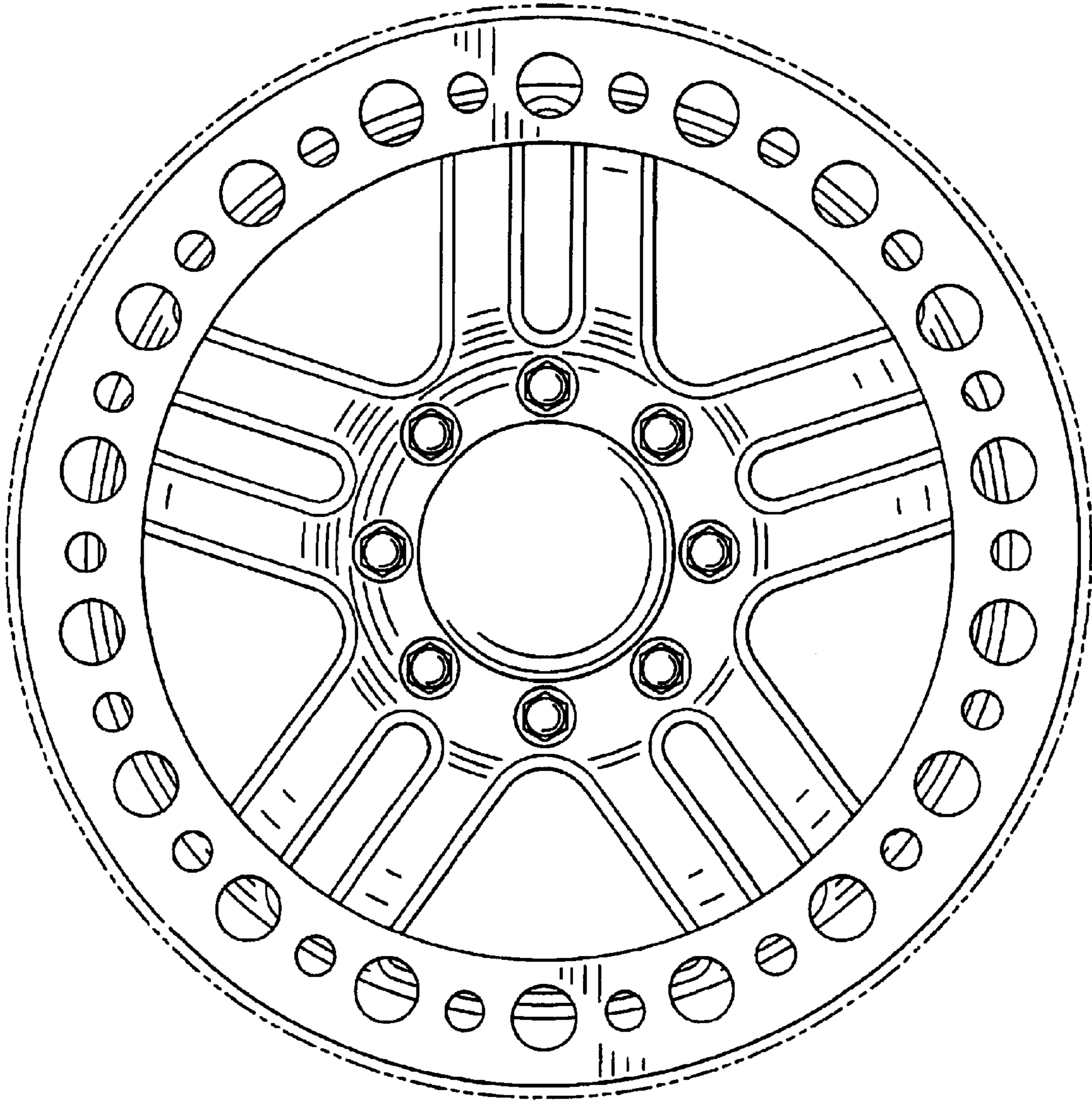


FIG. 2