



US00D492923S1

(12) **United States Design Patent**  
**Whitehead**

(10) **Patent No.:** **US D492,923 S**

(45) **Date of Patent:** **\*\* Jul. 13, 2004**

(54) **WHEEL**

(76) **Inventor:** **Jerald M. Whitehead**, 12570 SR 21,  
Boise, ID (US) 83716

(\*\*) **Term:** **14 Years**

(21) **Appl. No.:** **29/164,090**

(22) **Filed:** **Jul. 17, 2002**

(51) **LOC (7) Cl.** ..... **12-16**

(52) **U.S. Cl.** ..... **D12/204**

(58) **Field of Search** ..... D12/204-211;  
301/37.101, 64.101, 65

D369,775 S \* 5/1996 Choi ..... D12/204  
D384,021 S \* 9/1997 Hoxie ..... D12/204  
D449,265 S \* 10/2001 Hull ..... D12/204

\* cited by examiner

*Primary Examiner*—Stacia Cadmus

(74) *Attorney, Agent, or Firm*—Christensen O'Connor  
Johnson Kindness PLLC

(57) **CLAIM**

I claim the ornamental design for a wheel, as shown and described.

**DESCRIPTION**

FIG. 1 is a front perspective view of the wheel showing my new design;

FIG. 2 is rear perspective view thereof;

FIG. 3 is a front view thereof;

FIG. 4 is a rear view thereof; and,

FIG. 5 is a left side view thereof, it being understood that the right side is a mirror image thereof.

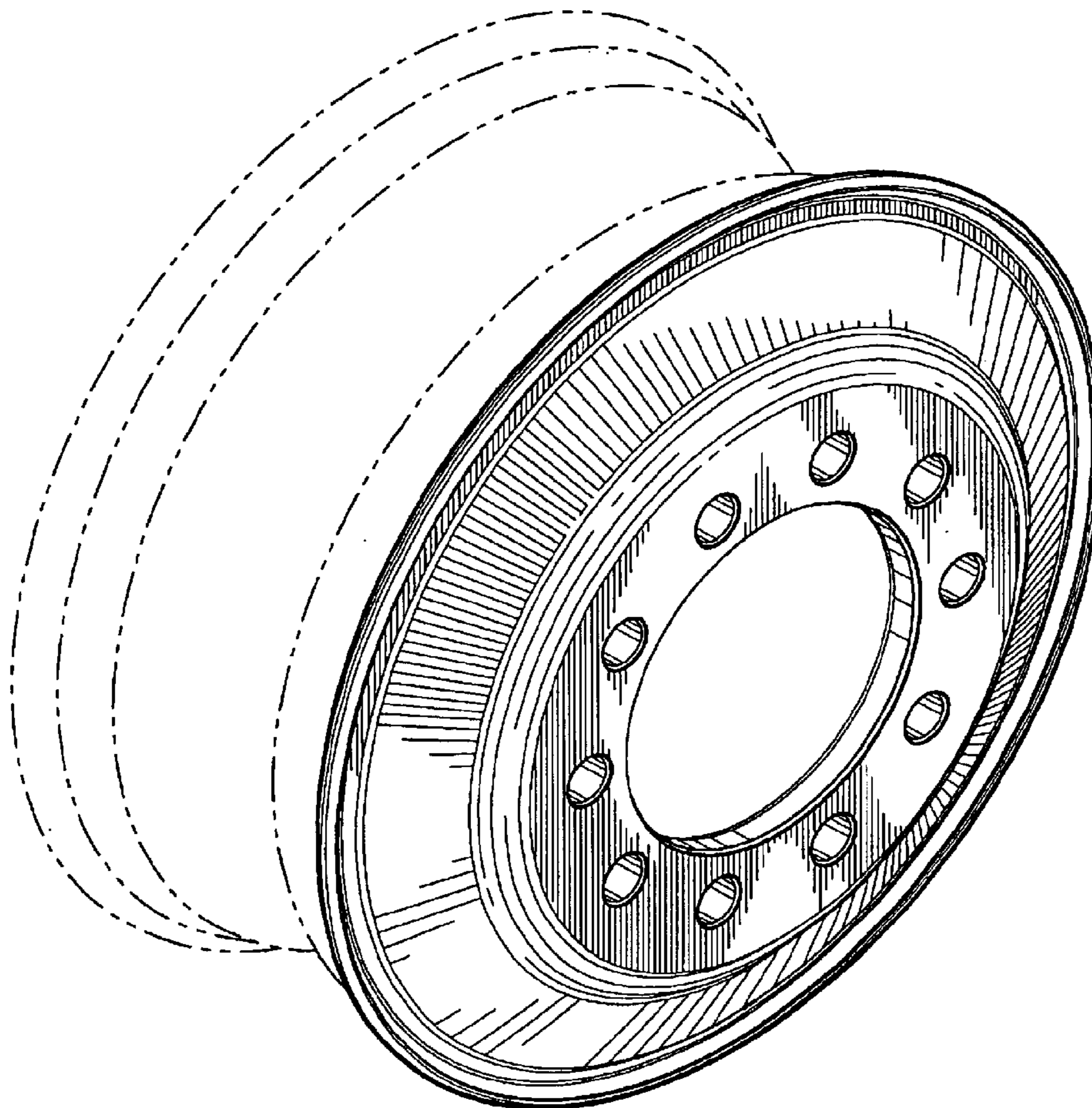
The broken line showing of environment is for illustrative purposes only and forms no part of the claimed design.

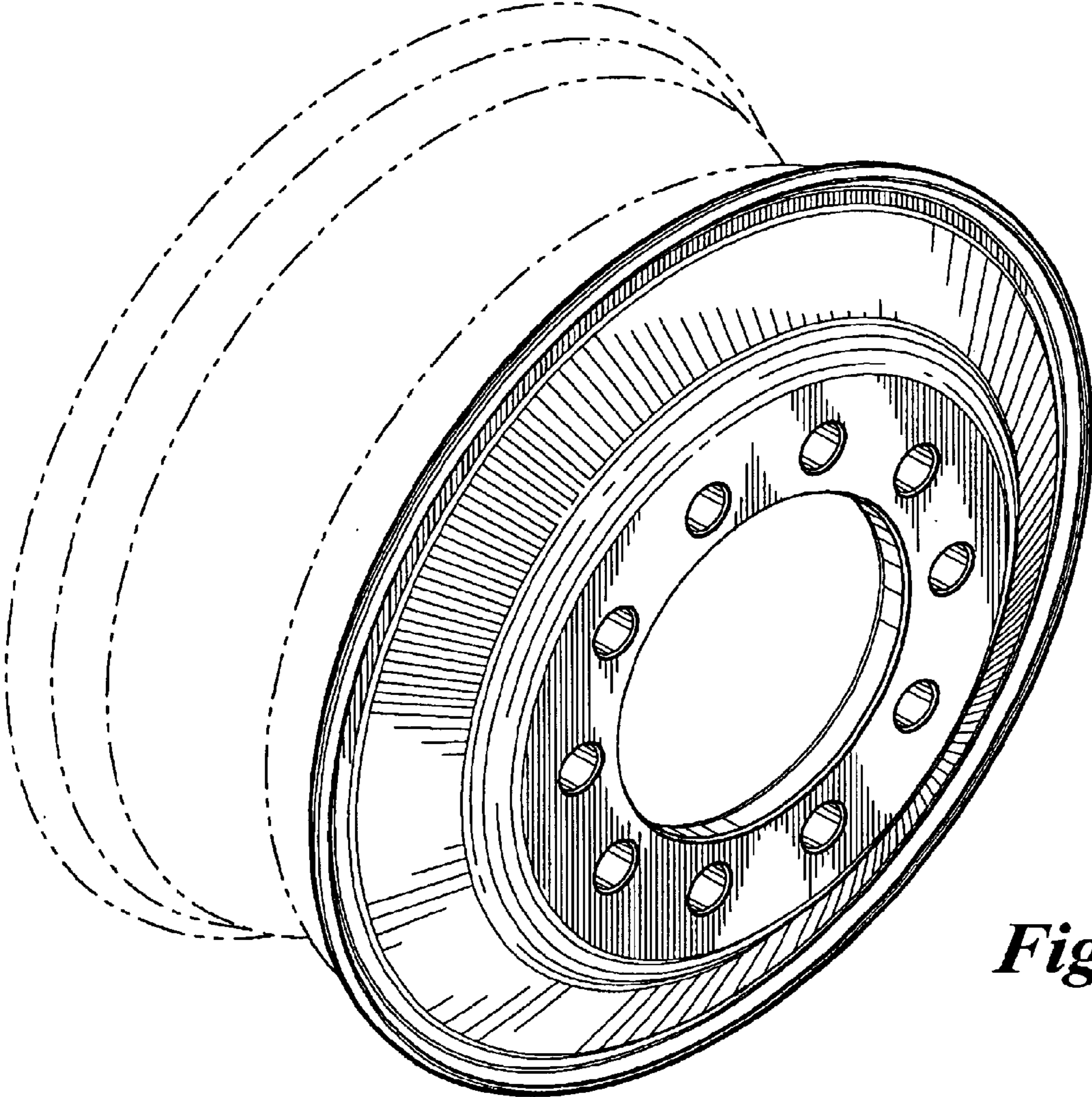
(56) **References Cited**

**U.S. PATENT DOCUMENTS**

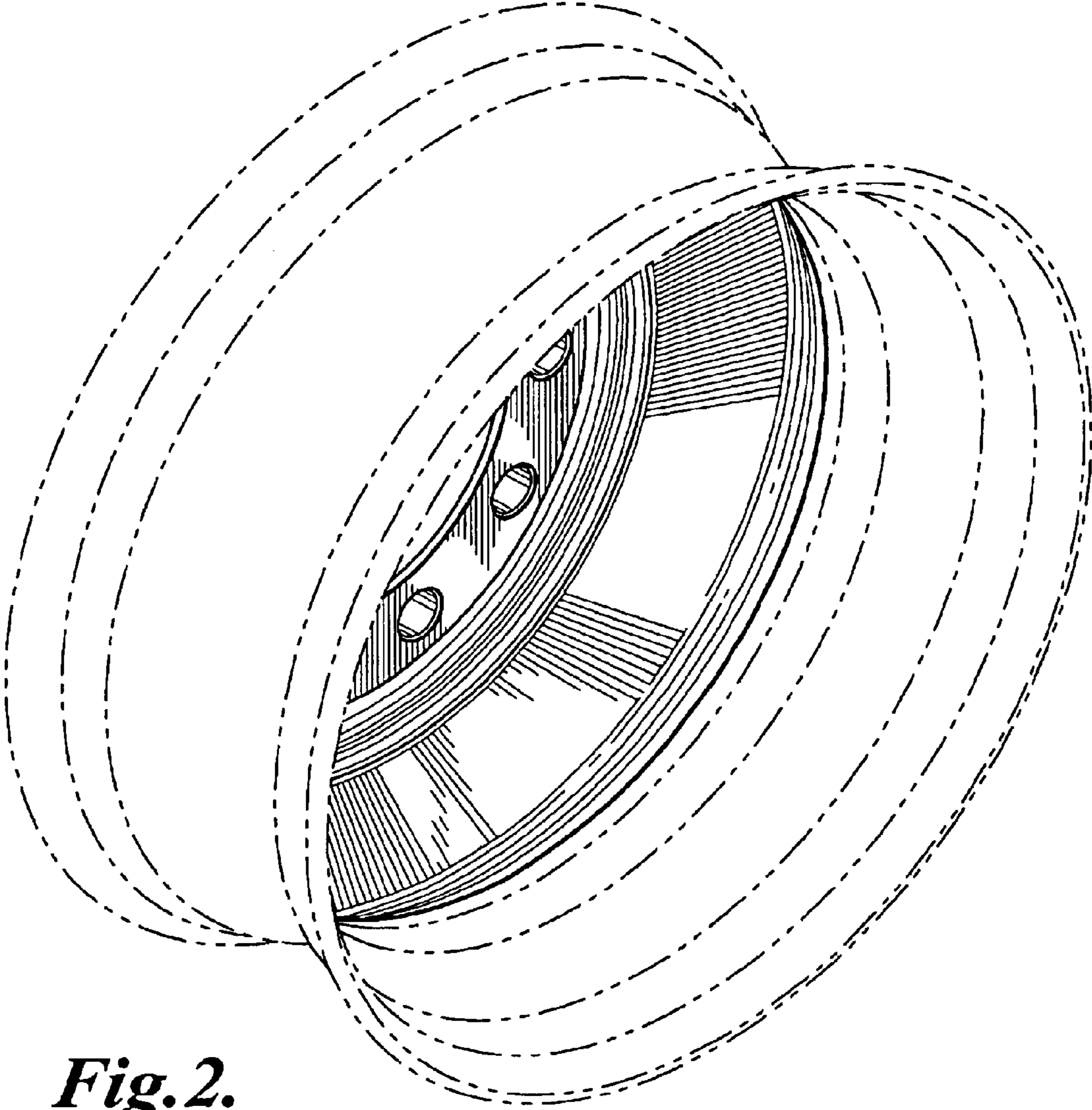
D89,687 S	*	4/1933	Eksergian et al.	.....	D12/204
D190,640 S	*	6/1961	Hibbard	.....	D12/204
D190,641 S	*	6/1961	Hibbard	.....	D12/204
D190,642 S	*	6/1961	Hibbard	.....	D12/204
D190,644 S	*	6/1961	Hibbard	.....	D12/204
D257,508 S	*	11/1980	Schinella	.....	D12/204
D332,441 S	*	1/1993	Douglas, Jr.	.....	D12/204
D338,866 S	*	8/1993	Teufel	.....	D12/204
D338,867 S	*	8/1993	Teufel	.....	D12/204

**1 Claim, 5 Drawing Sheets**

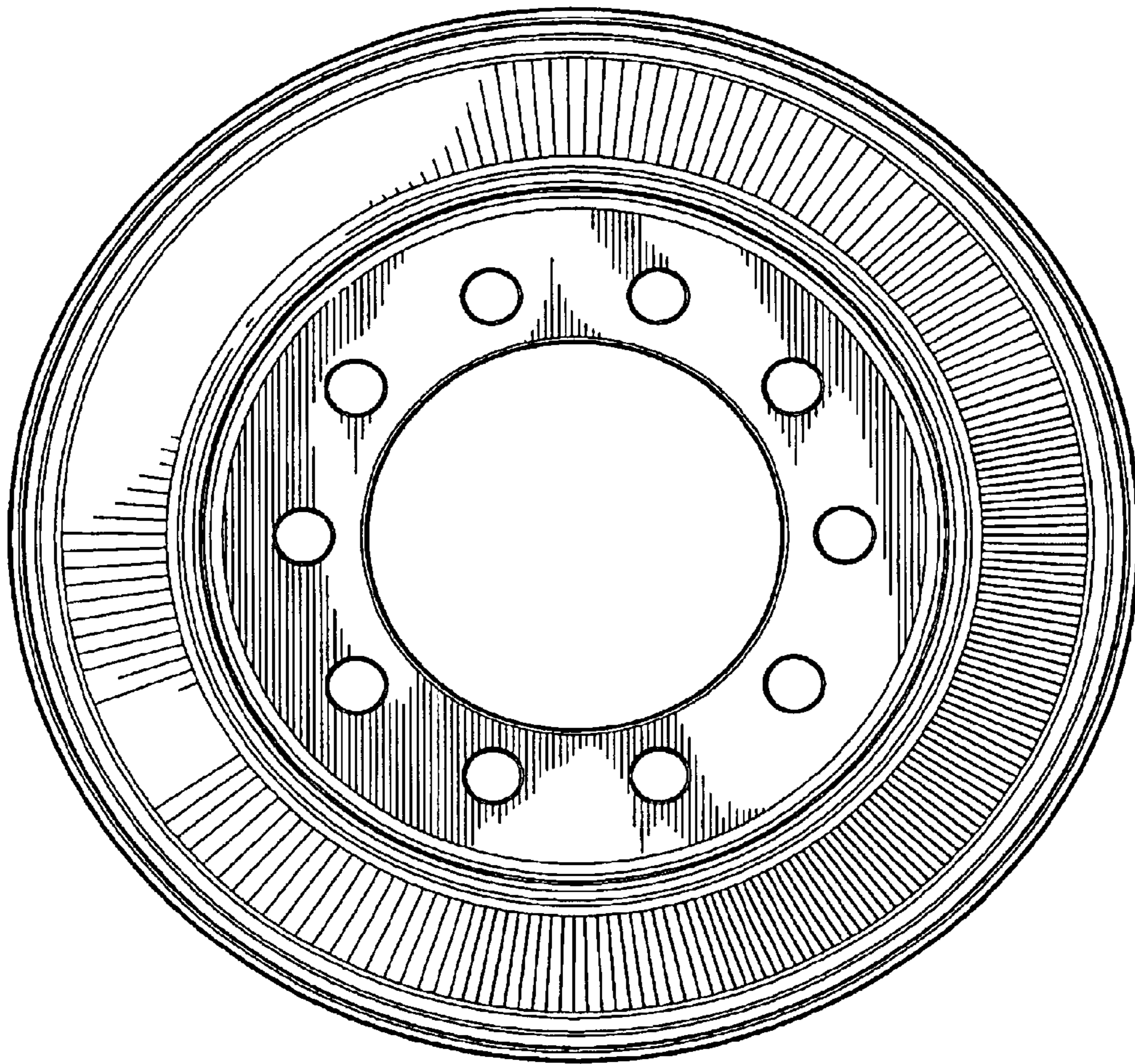




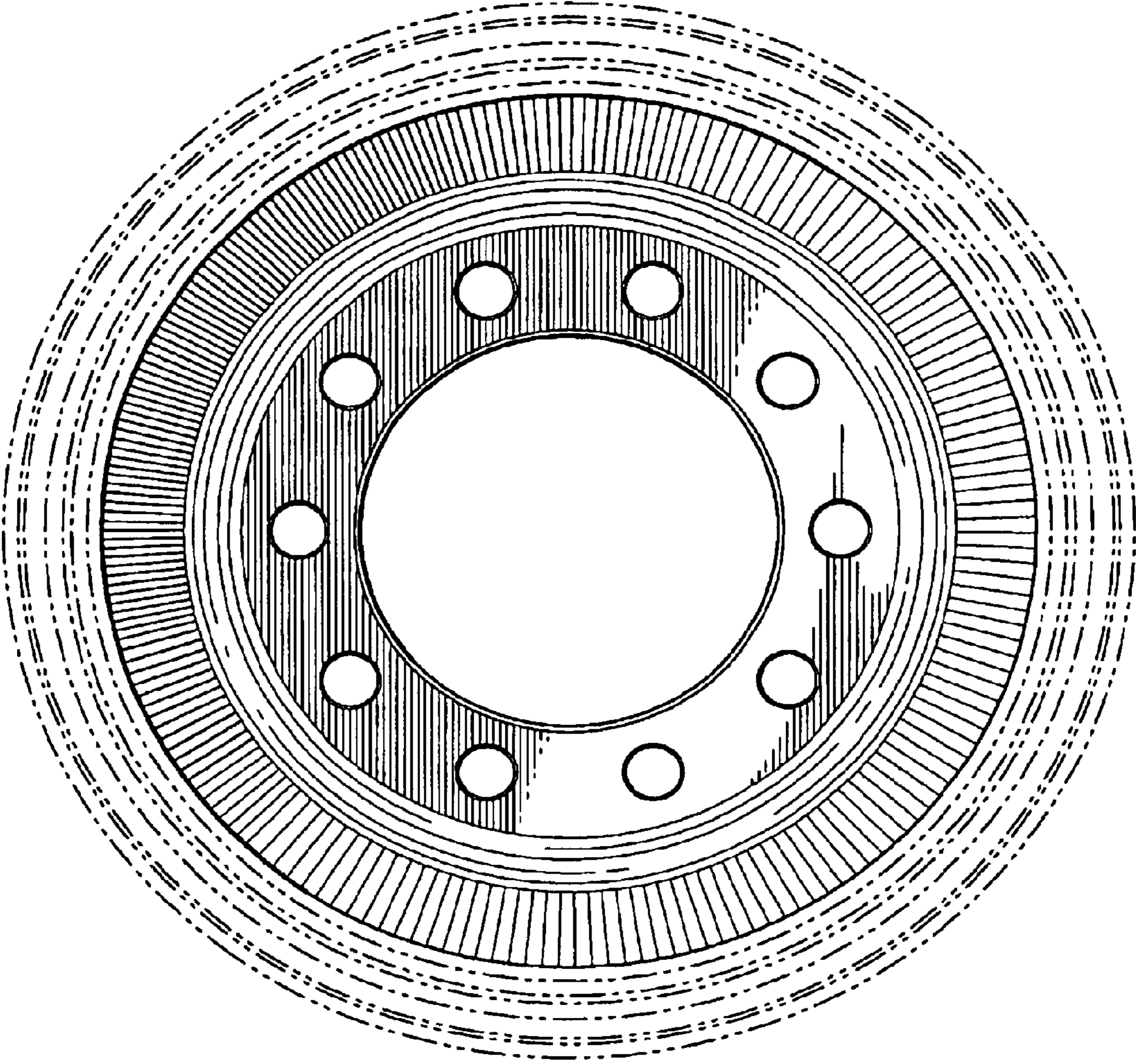
*Fig. 1.*



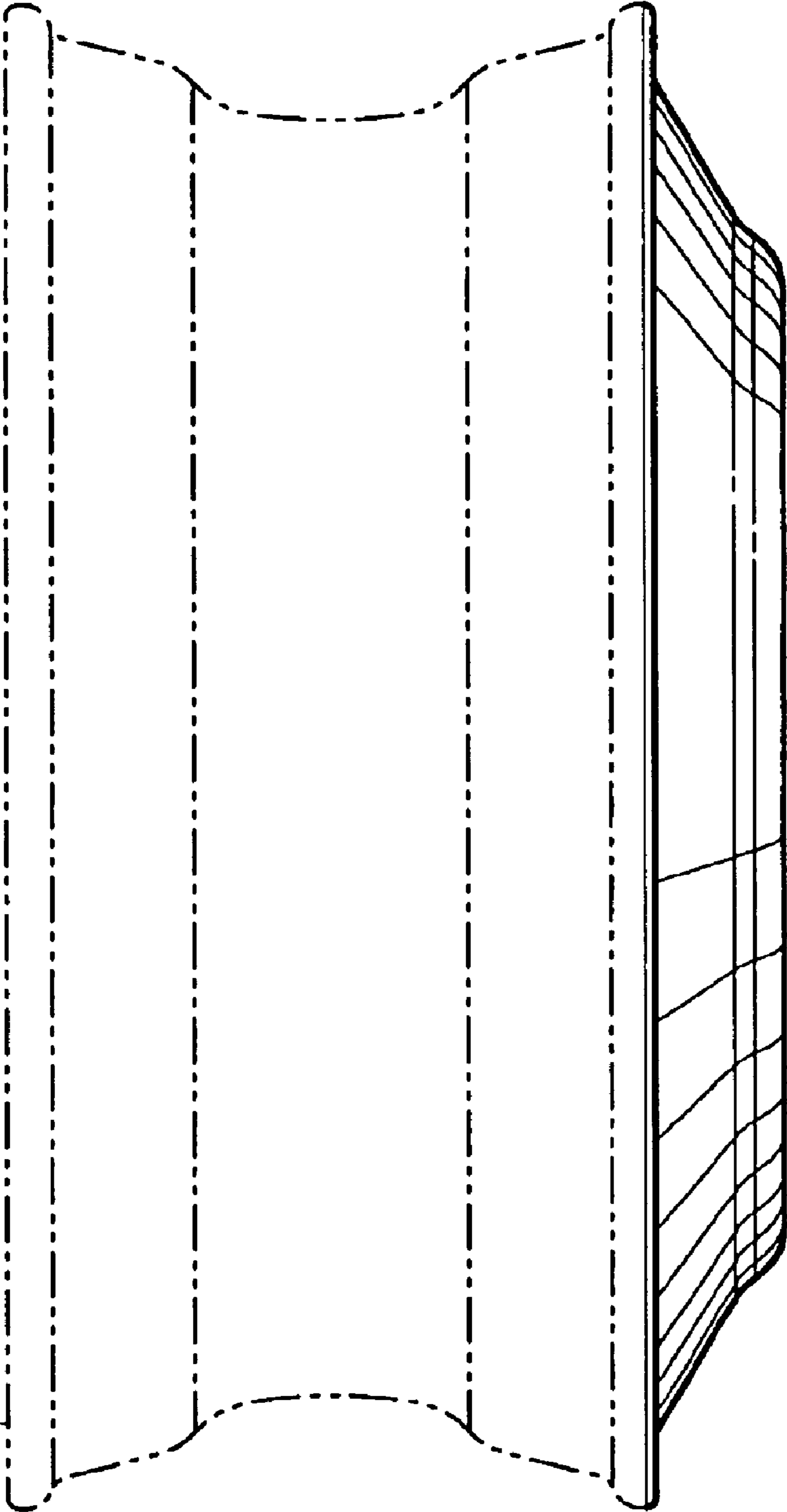
*Fig. 2.*



*Fig. 3.*



*Fig.4.*



*Fig. 5.*