

US00D492922S1

(12) **United States Design Patent**  
**Numata**

(10) **Patent No.:** **US D492,922 S**  
(45) **Date of Patent:** **\*\* Jul. 13, 2004**

(54) **REAR DECORATIVE PANEL FOR AN  
AUTOMOBILE**

D478,854 S \* 8/2003 Platto et al. .... D12/196

(75) Inventor: **Hideyuki Numata**, Aichi-ken (JP)

(73) Assignee: **Toyota Jidosha Kabushiki Kaisha** (JP)

(\*\*) Term: **14 Years**

(21) Appl. No.: **29/173,231**

(22) Filed: **Dec. 23, 2002**

(51) **LOC (7) Cl.** ..... **12-16**

(52) **U.S. Cl.** ..... **D12/196**

(58) **Field of Search** ..... D12/196, 190,  
D12/400, 86, 90-92; 296/192-197, 180.1;  
180/69.24, 68.6; 293/126, 128

(56) **References Cited**

**U.S. PATENT DOCUMENTS**

D447,459 S	*	9/2001	Oh	.....	D12/196
D464,302 S	*	10/2002	Snook et al.	.....	D12/196
D464,923 S	*	10/2002	Snook et al.	.....	D12/196
D466,060 S	*	11/2002	Snook et al.	.....	D12/190
D472,505 S	*	4/2003	Hurayt	.....	D12/190
D473,504 S	*	4/2003	Harbin	.....	D12/196

**OTHER PUBLICATIONS**

2000 Toyota KLUGER V, Brochure of KLUGER V, Nov. 2000.

2000 Toyota Mark II, Brochure of MARK II, Oct. 2000.

\* cited by examiner

*Primary Examiner*—Melody N. Brown

(74) *Attorney, Agent, or Firm*—Saidman DesignLaw Group

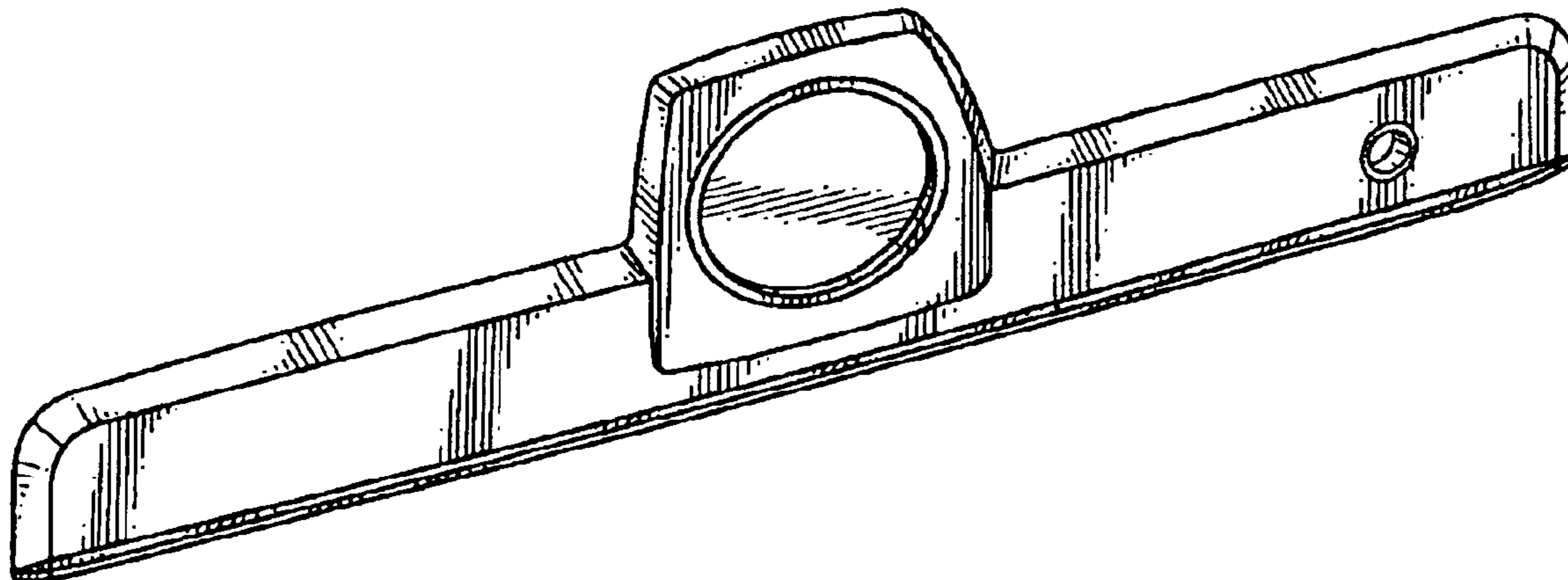
(57) **CLAIM**

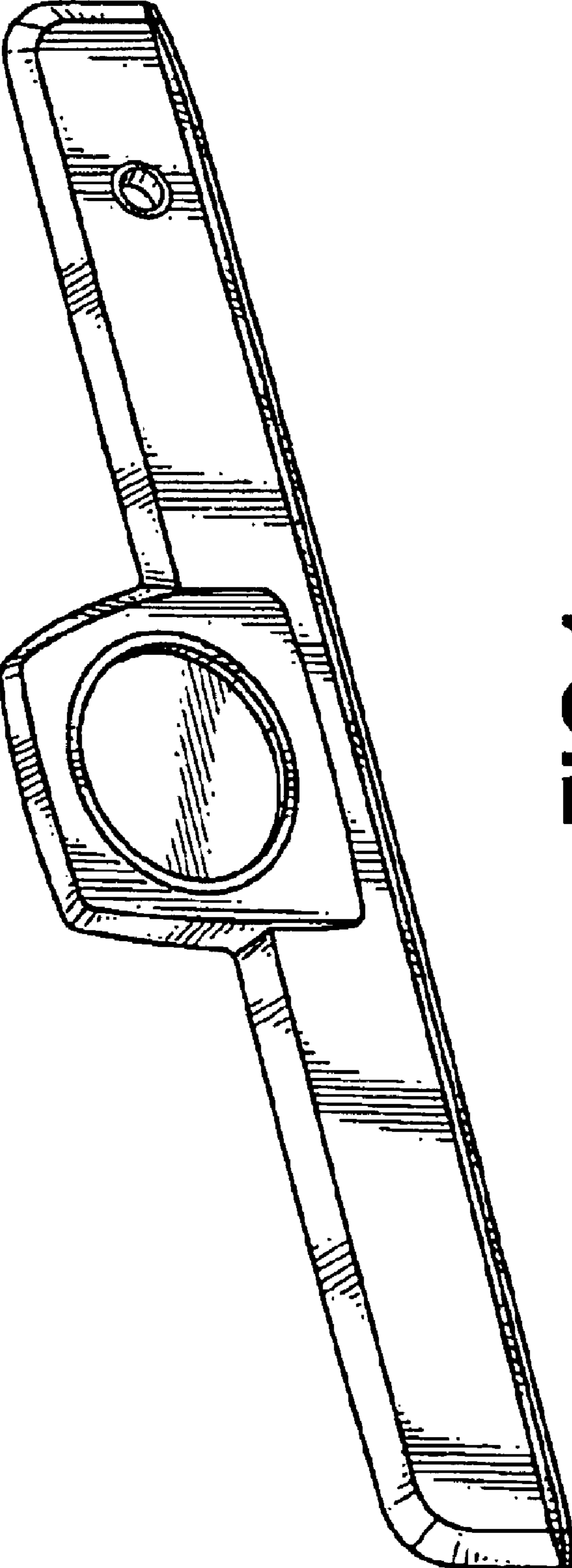
The ornamental design for a rear decorative panel for an automobile, as shown and described.

**DESCRIPTION**

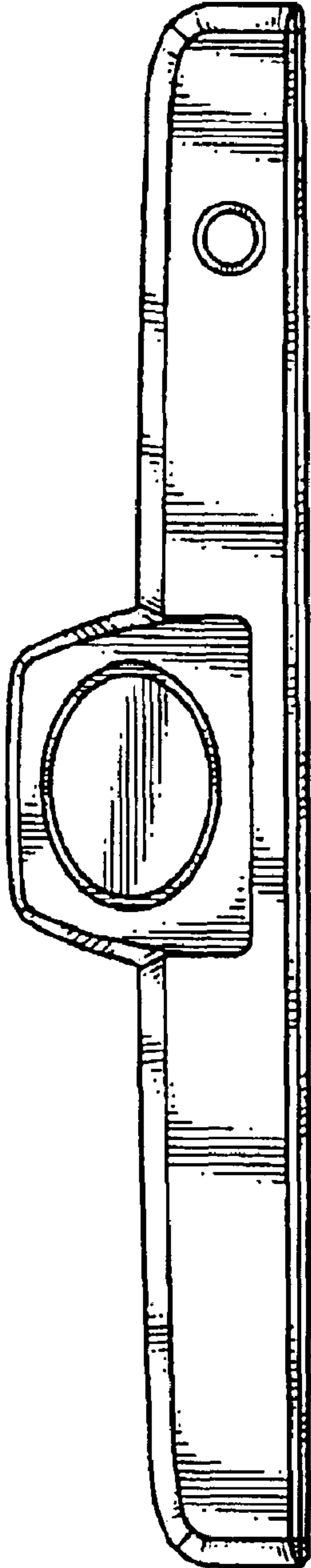
FIG. 1 is a perspective view of a rear decorative panel for an automobile showing my new design;  
FIG. 2 is a front view thereof;  
FIG. 3 is a rear view thereof;  
FIG. 4 is a top view thereof;  
FIG. 5 is a bottom view thereof; and,  
FIG. 6 is a right side view thereof (the left side view being a mirror image).

**1 Claim, 4 Drawing Sheets**

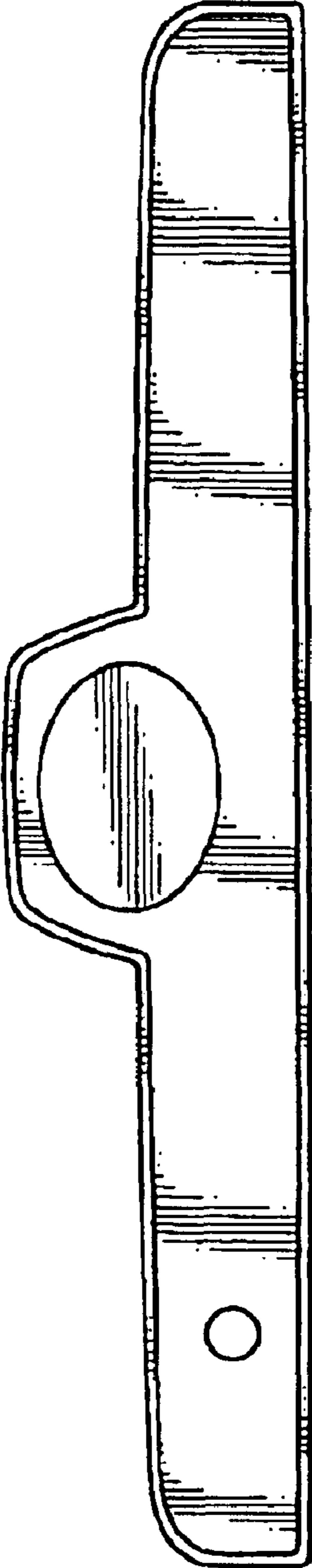




**FIG.1**



**FIG. 2**



**FIG. 3**



**FIG. 4**



**FIG. 5**



**FIG. 6**