

US00D492920S1

(12) **United States Design Patent** (10) **Patent No.:** **US D492,920 S**
Elwell et al. (45) **Date of Patent:** **** Jul. 13, 2004**

(54) **LIQUID BOSS GRILLE INSERT**

(75) Inventors: **James P. Elwell**, Ankeny, IA (US);
Jamie R. Bernardy, Ames, IA (US)

(73) Assignee: **Putco, Inc.**, Story City, IA (US)

(**) Term: **14 Years**

(21) Appl. No.: **29/188,157**

(22) Filed: **Aug. 13, 2003**

(51) **LOC (7) Cl.** **12-16**

(52) **U.S. Cl.** **D12/163**

(58) **Field of Search** D12/163, 171,
D12/90-92, 216, 169, 196; 180/68.1, 68.6;
296/194

Putco Part No. 9107R, Mar. 27, 2002.
 Putco Part No. 9104R, Apr. 4, 2002.
 Putco Part No. 91100, Apr. 24, 2002.
 Putco Part No. 91102, Apr. 8, 2002.
 Putco Part No. 91103, Apr. 4, 2002.
 Putco Part No. 91105, May 7, 2002.
 Putco Part No. 91106, May 28, 2002.
 Putco Part No. 91109, Apr. 8, 2002.
 Putco Part No. 91115, Apr. 9, 2002.
 Putco Part No. 91119, Apr. 8, 2002.
 Putco Part No. 91129, May 22, 2002.
 Putco Part No. 91130, Jun. 18, 2002.
 Putco Part No. 92102, Apr. 8, 2002.
 Putco Part No. 92119, Apr. 8, 2002.
 Putco Part No. 92129, May 22, 2002.

* cited by examiner

(56) **References Cited**

U.S. PATENT DOCUMENTS

| | | | | | |
|------------|---|---------|--------------|-------|---------|
| D473,497 S | * | 4/2003 | Leazenby | | D12/163 |
| D473,828 S | * | 4/2003 | Leazenby | | D12/163 |
| D475,002 S | * | 5/2003 | Leazenby | | D12/163 |
| D480,667 S | * | 10/2003 | Price et al. | | D12/163 |
| D484,833 S | * | 1/2004 | Kato | | D12/163 |
| D485,793 S | * | 1/2004 | Meza et al. | | D12/163 |

OTHER PUBLICATIONS

Putco Part No. 9233R, Apr. 16, 2002.
 Putco Part No. 9212R, Apr. 4, 2002.
 Putco Part No. 9205R, Apr. 4, 2002.
 Putco Part No. 9204R, Apr. 4, 2002.
 Putco Part No. 9133R, Apr. 16, 2002.
 Putco Part No. 9132R, Apr. 4, 2002.
 Putco Part No. 9112R, Apr. 4, 2002.
 Putco Part No. 9111R, Apr. 10, 2002.
 Putco Part No. 9108R, Apr. 8, 2002.

Primary Examiner—Melody N. Brown
 (74) *Attorney, Agent, or Firm*—McKee, Voorhees & Sease,
 P.L.C.

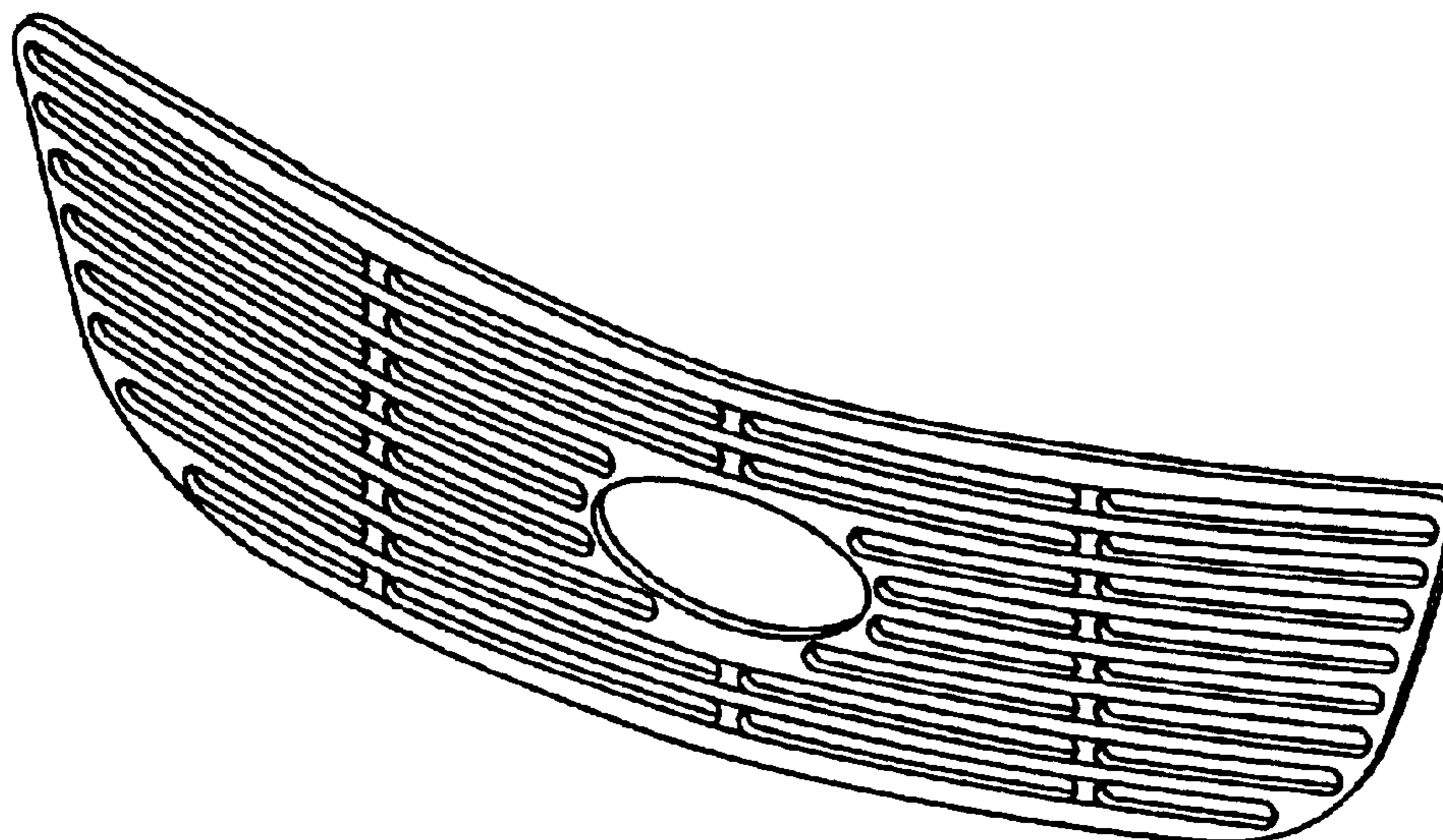
(57) **CLAIM**

The ornamental design for a liquid boss grille insert, as shown and described.

DESCRIPTION

FIG. 1 is a perspective view of a liquid boss grille insert showing our new design;
 FIG. 2 is an end elevational view thereof, the opposite end is a mirror image that shown;
 FIG. 3 is a top plan view thereof;
 FIG. 4 is a bottom plan view thereof;
 FIG. 5 is a front elevational view thereof; and,
 FIG. 6 is a rear elevational view thereof.

1 Claim, 1 Drawing Sheet



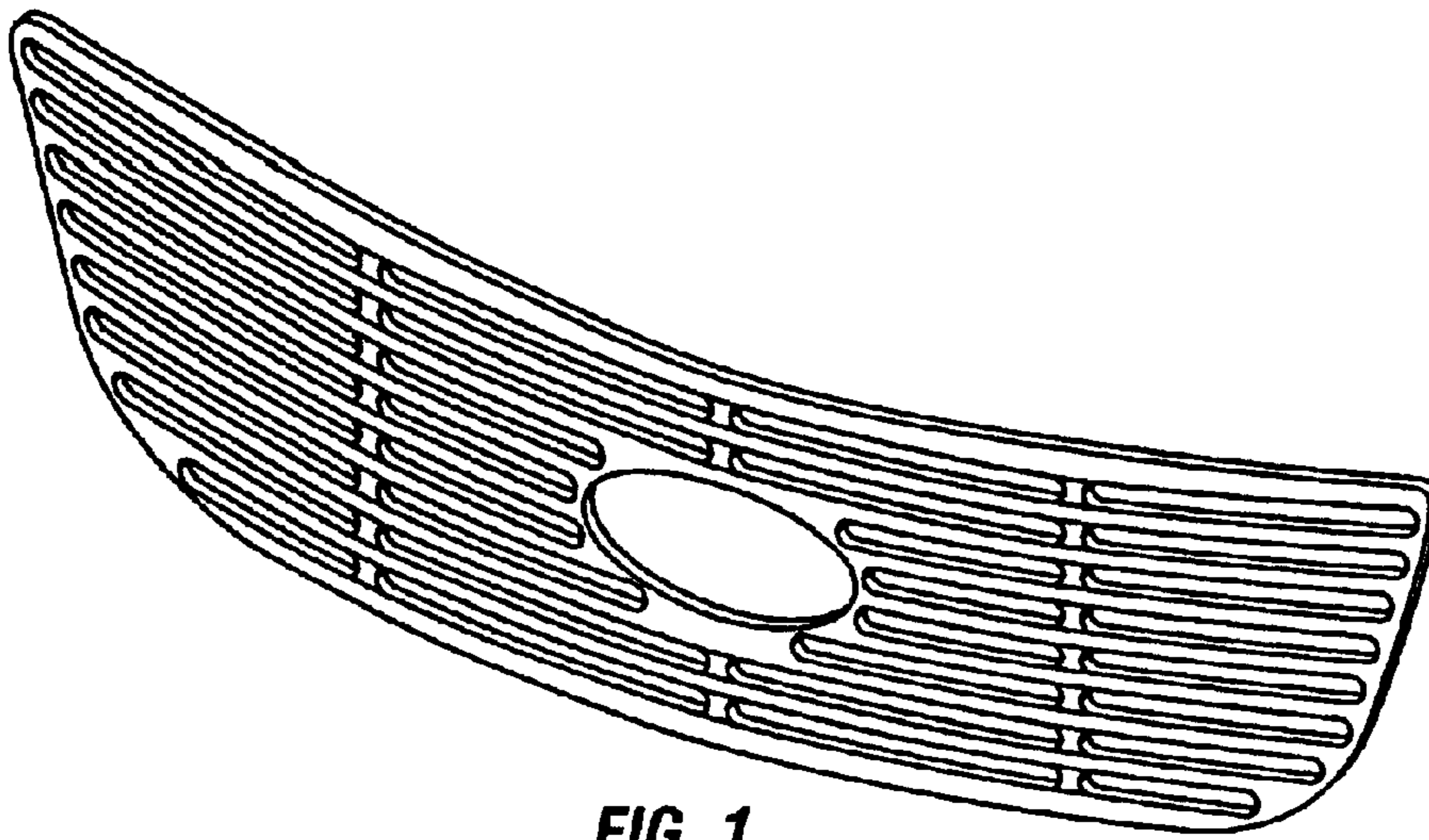


FIG. 1

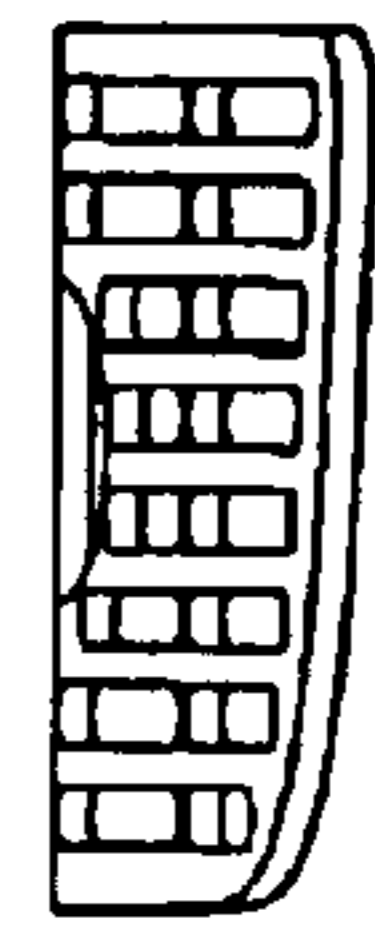


FIG. 2

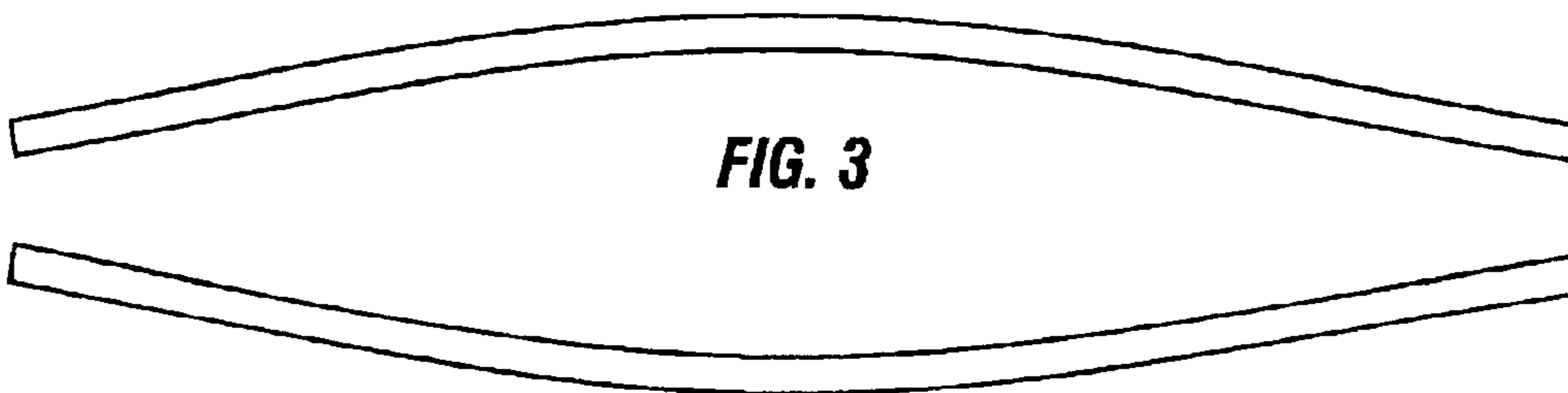


FIG. 3



FIG. 4

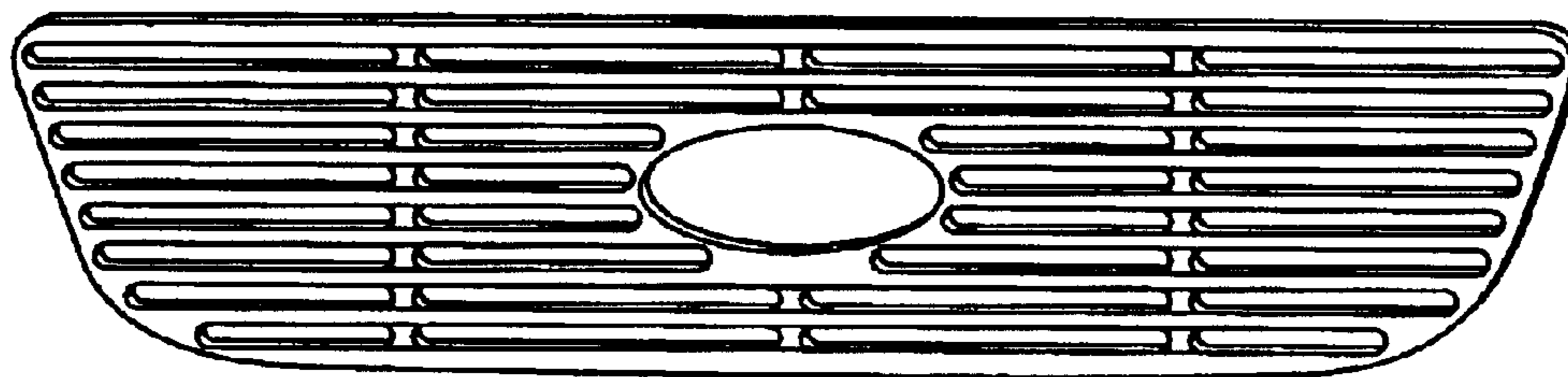


FIG. 5

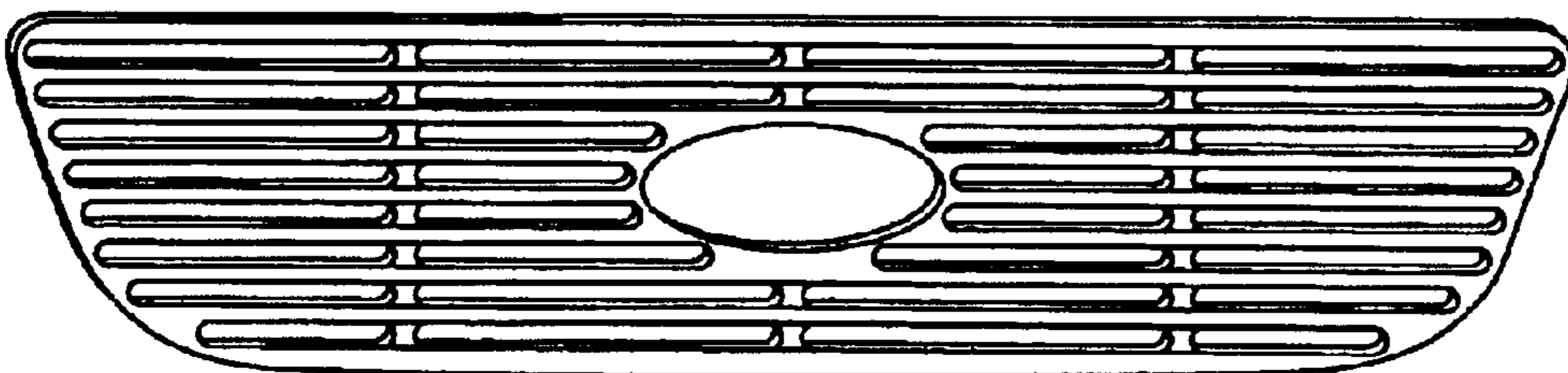


FIG. 6