



US00D492916S1

(12) **United States Design Patent** (10) **Patent No.:** **US D492,916 S**  
**Rondeau et al.** (45) **Date of Patent:** **\*\* Jul. 13, 2004**

(54) **PORTION OF AN ALL TERRAIN VEHICLE**

(75) Inventors: **Pierre Rondeau**, St-Denis-de-Brompton (CA); **Martin Portelance**, Sherbrooke (CA)

(73) Assignee: **Bombardier Inc.**, Montreal (CA)

(\*\*) Term: **14 Years**

(21) Appl. No.: **29/192,002**

(22) Filed: **Oct. 20, 2003**

**Related U.S. Application Data**

(62) Division of application No. 29/161,591, filed on Jun. 4, 2002.

(51) **LOC (7) Cl.** ..... **12-11**

(52) **U.S. Cl.** ..... **D12/107**

(58) **Field of Search** ..... D12/87, 107, 110;  
180/225, 229, 233, 311, 312, 315

(56) **References Cited**

**U.S. PATENT DOCUMENTS**

4,721,178 A	1/1988	Ito
5,036,939 A	8/1991	Johnson et al.
5,109,942 A	5/1992	Akimori et al.
5,314,239 A	5/1994	Edwards et al.
5,765,917 A	6/1998	Johnson
5,845,918 A	12/1998	Grinde et al.
D405,029 S	2/1999	Deutschman
5,997,088 A	12/1999	Stark et al.
6,012,770 A	1/2000	Rubin
6,116,630 A	9/2000	Thomas
6,270,106 B1	8/2001	Maki et al.
6,296,073 B1	10/2001	Rioux et al.

6,508,511 B1	1/2003	Kolpin
2002/0179358 A1	12/2002	Bombardier
2003/0102694 A1	6/2003	Rondeau et al.

**FOREIGN PATENT DOCUMENTS**

WO	03/042026 A1	5/2003
WO	03/053769 A1	7/2003

**OTHER PUBLICATIONS**

Harley-Davidson ® 1999 Genuine Motor Accessories™ & Genuine Motor Parts™ catalog, Softail® Fat Boy Seat with Rider Backrest on p. 169.

*Primary Examiner*—Alan P. Douglas

*Assistant Examiner*—Linda Brooks

(74) *Attorney, Agent, or Firm*—BRP-Legal Services

(57) **CLAIM**

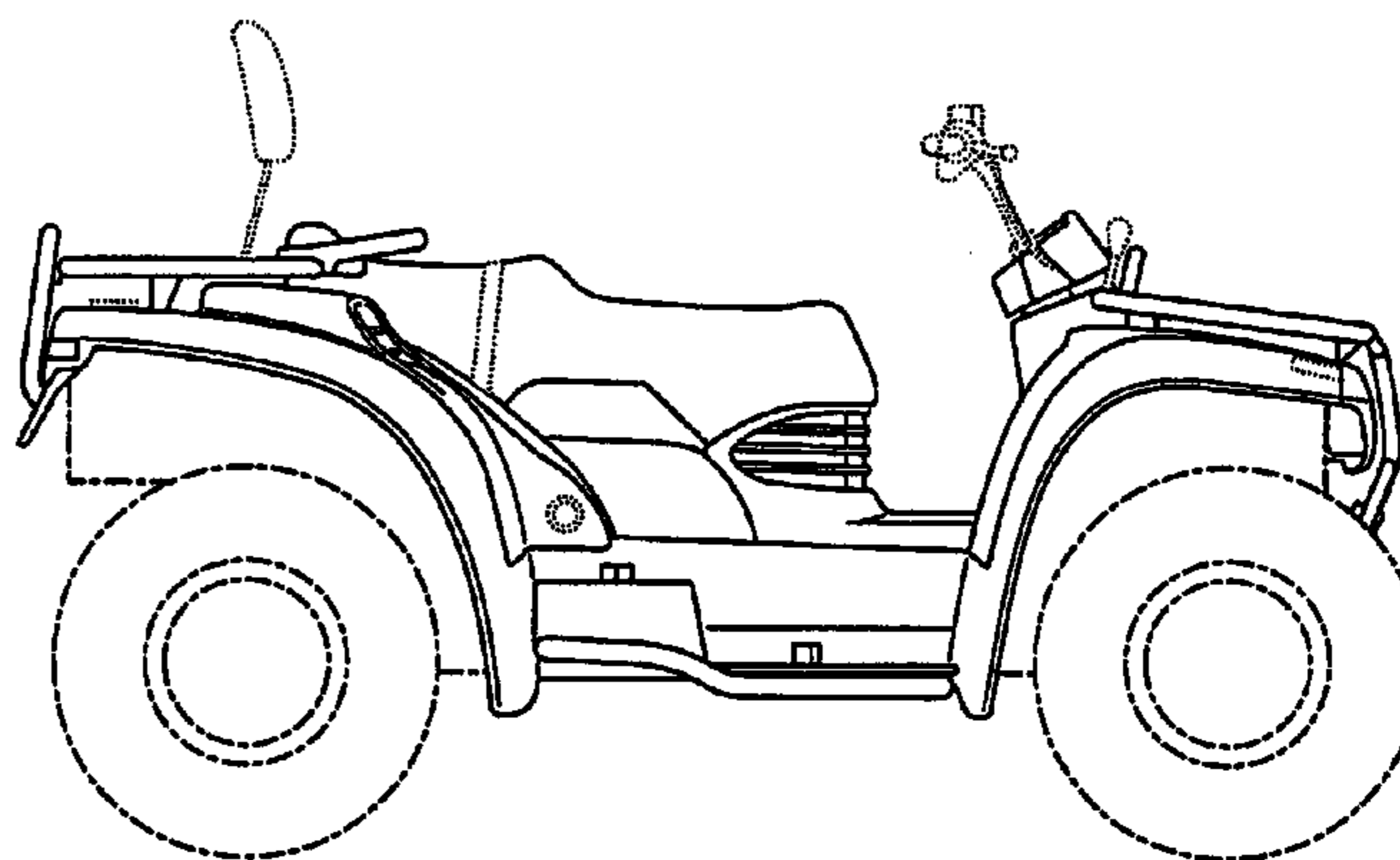
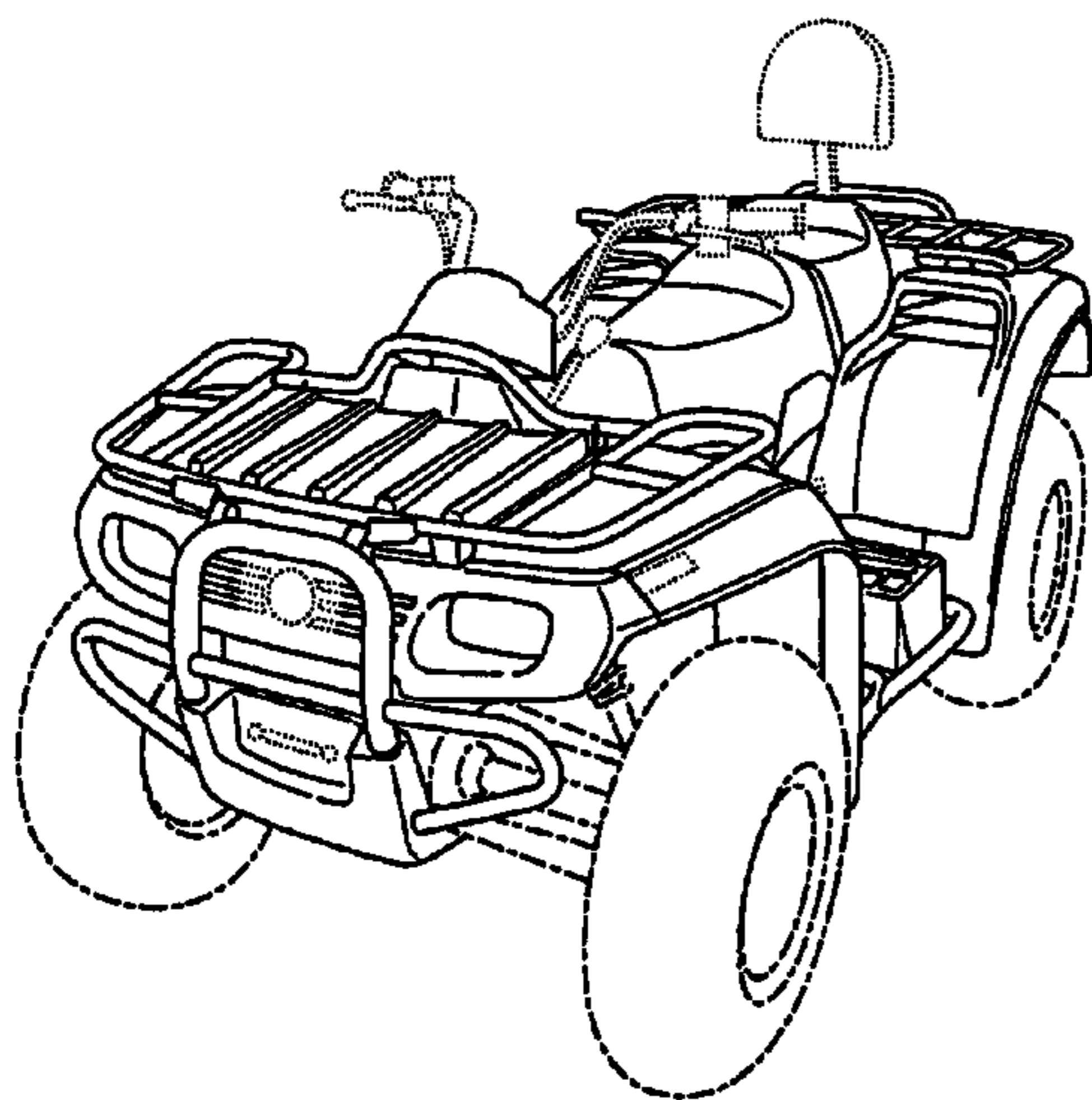
The ornamental design for a portion of an all terrain vehicle, as shown and described.

**DESCRIPTION**

FIG. 1 is a perspective illustration, from the front and left side, of the all terrain vehicle of our design; FIG. 2 is a perspective illustration, from the rear and left side, of the all terrain vehicle of FIG. 1; FIG. 3 is a front view thereof; FIG. 4 is a left side view thereof; FIG. 5 is a rear view thereof; FIG. 6 is a right side view thereof; and, FIG. 7 is a top view thereof.

In FIGS. 1-7, broken lines showing environment or structure are for illustrative purposes only and form no part of the claimed design.

**1 Claim, 7 Drawing Sheets**



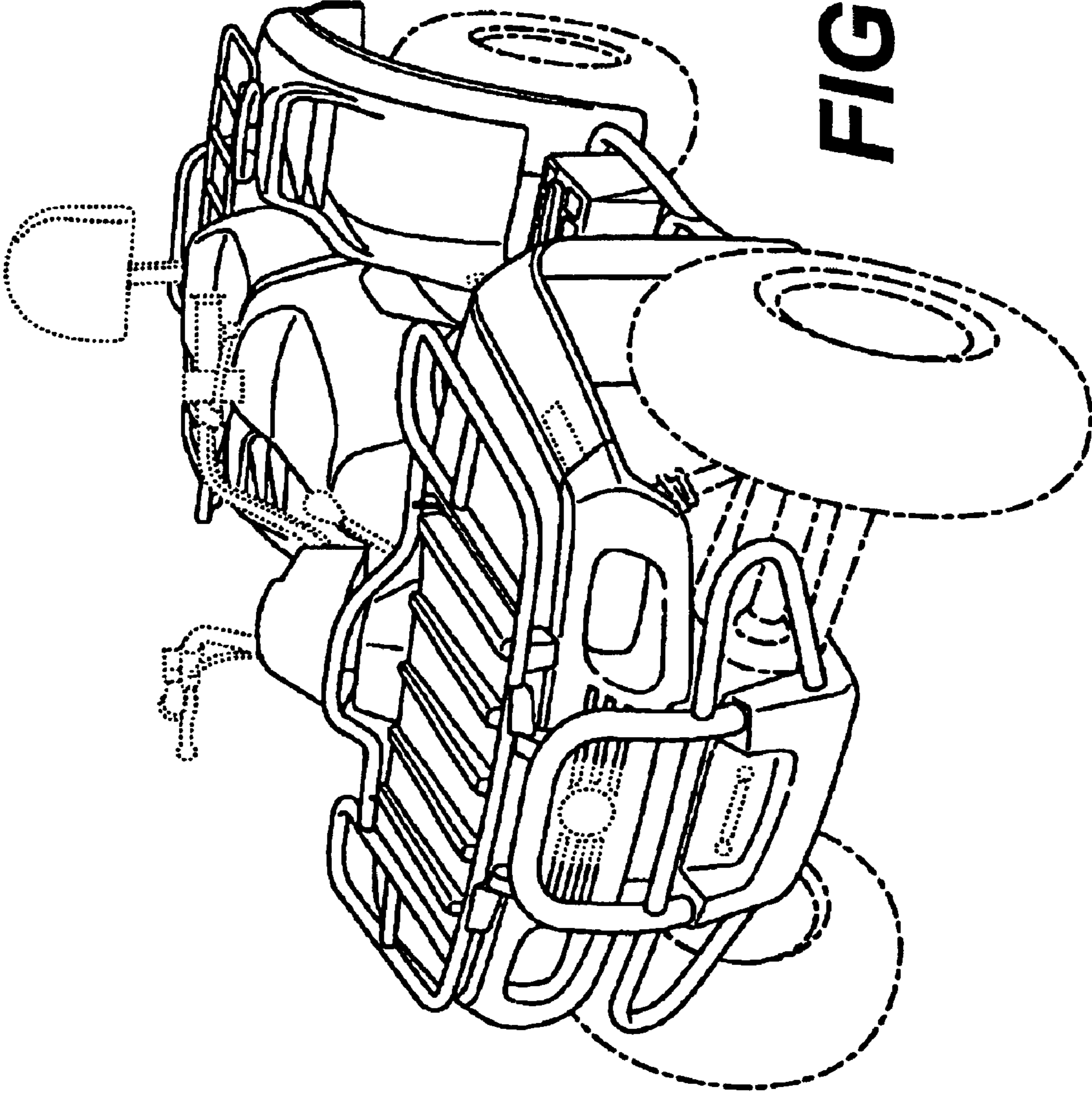
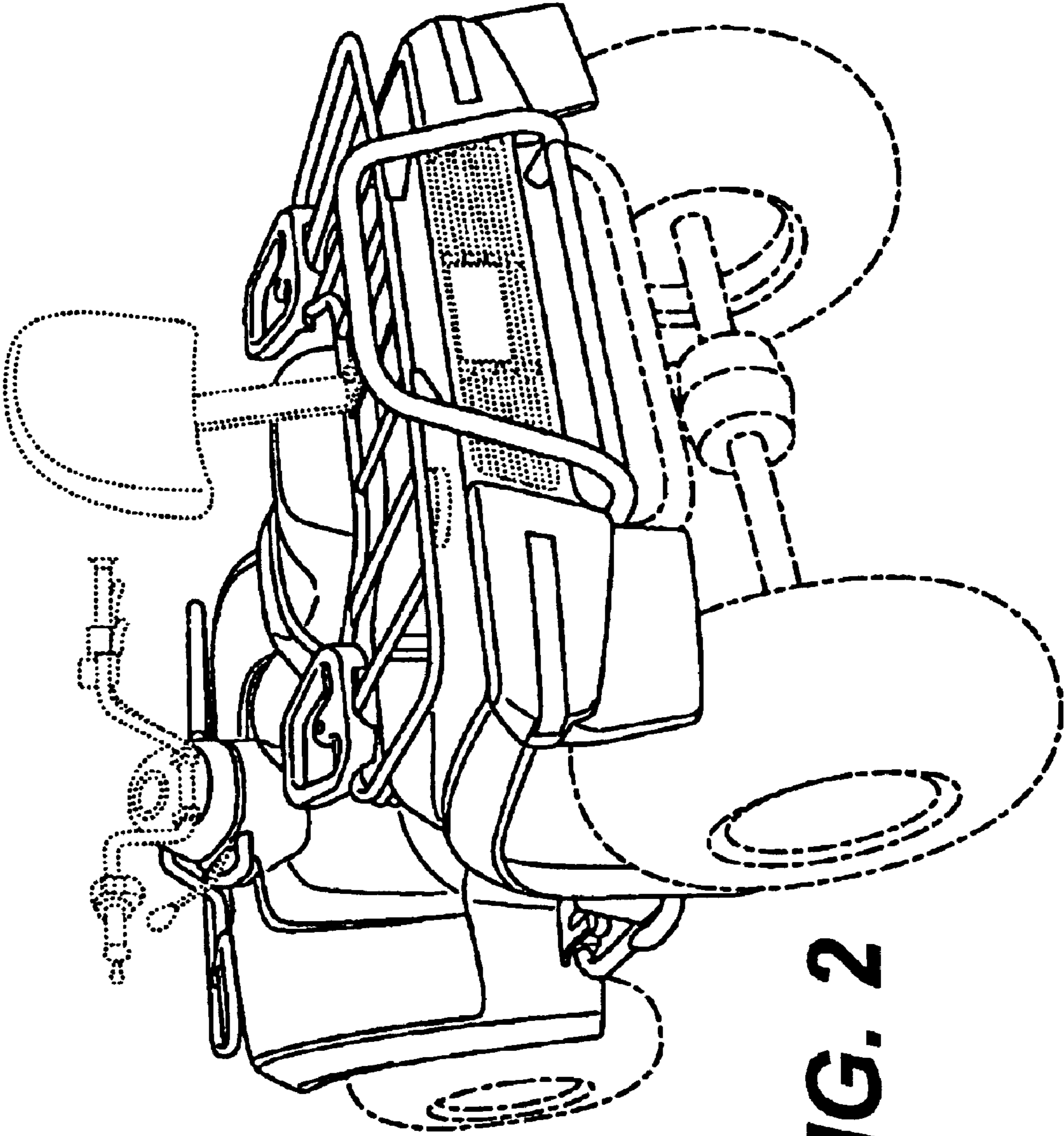
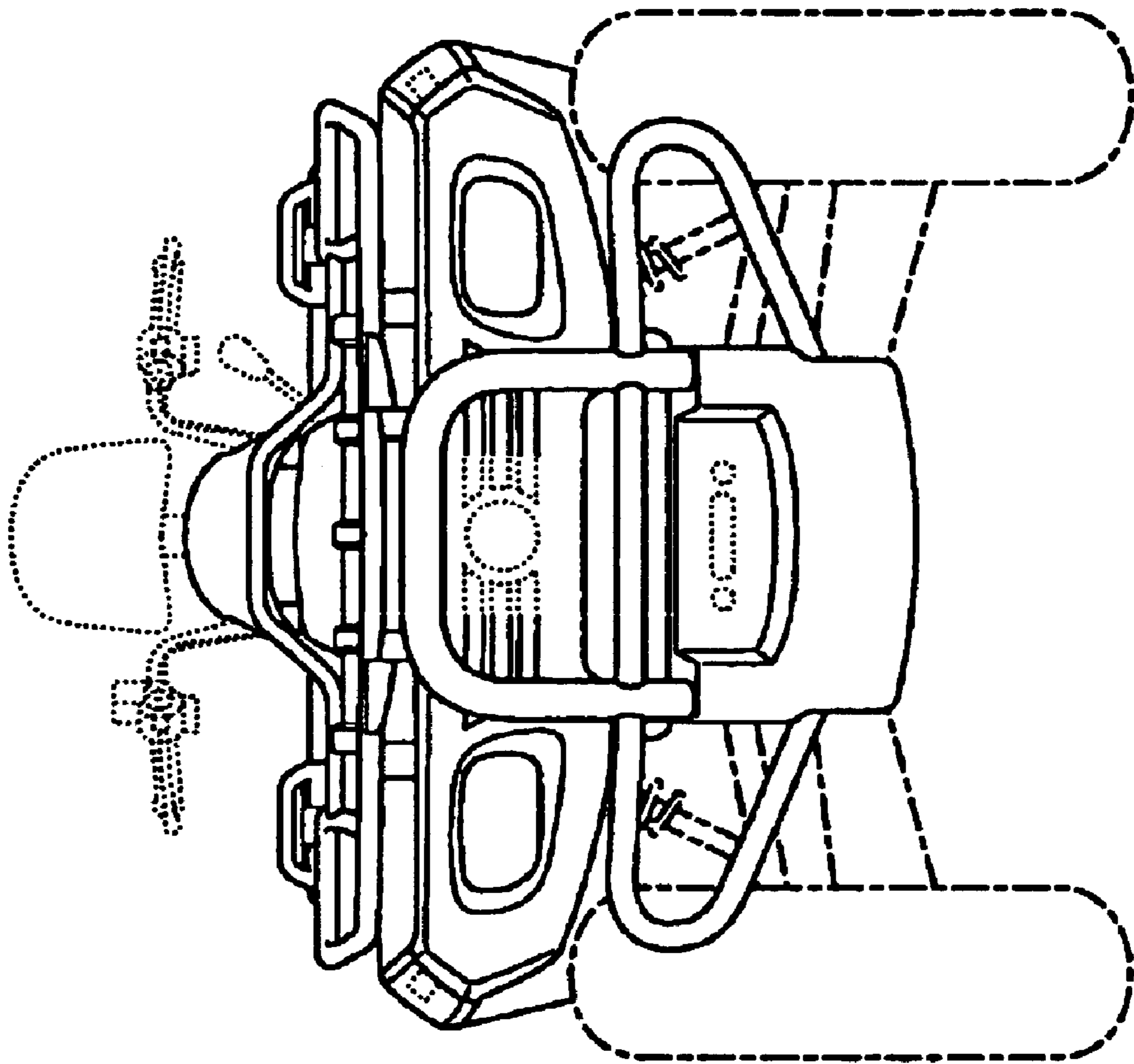


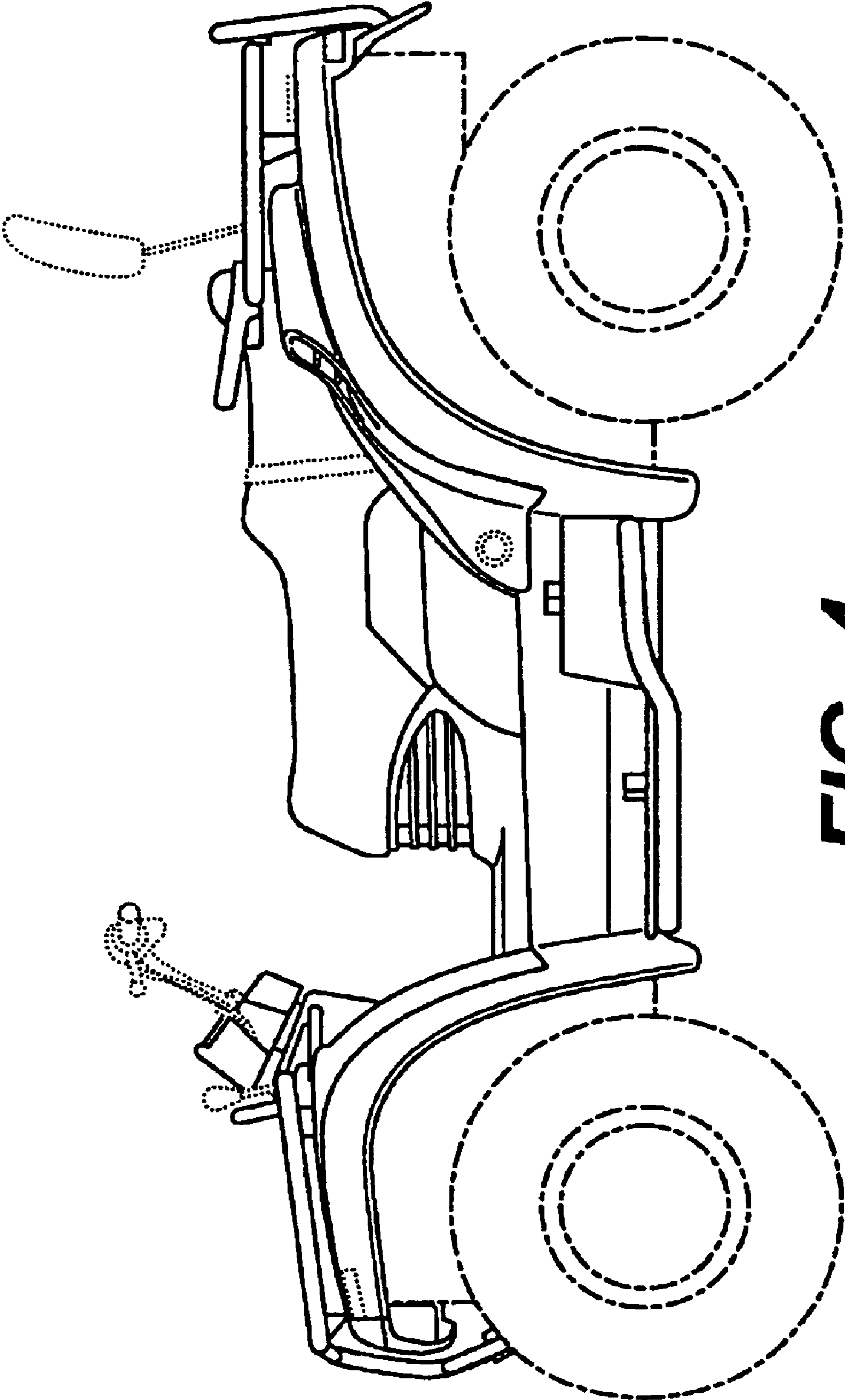
FIG. 1



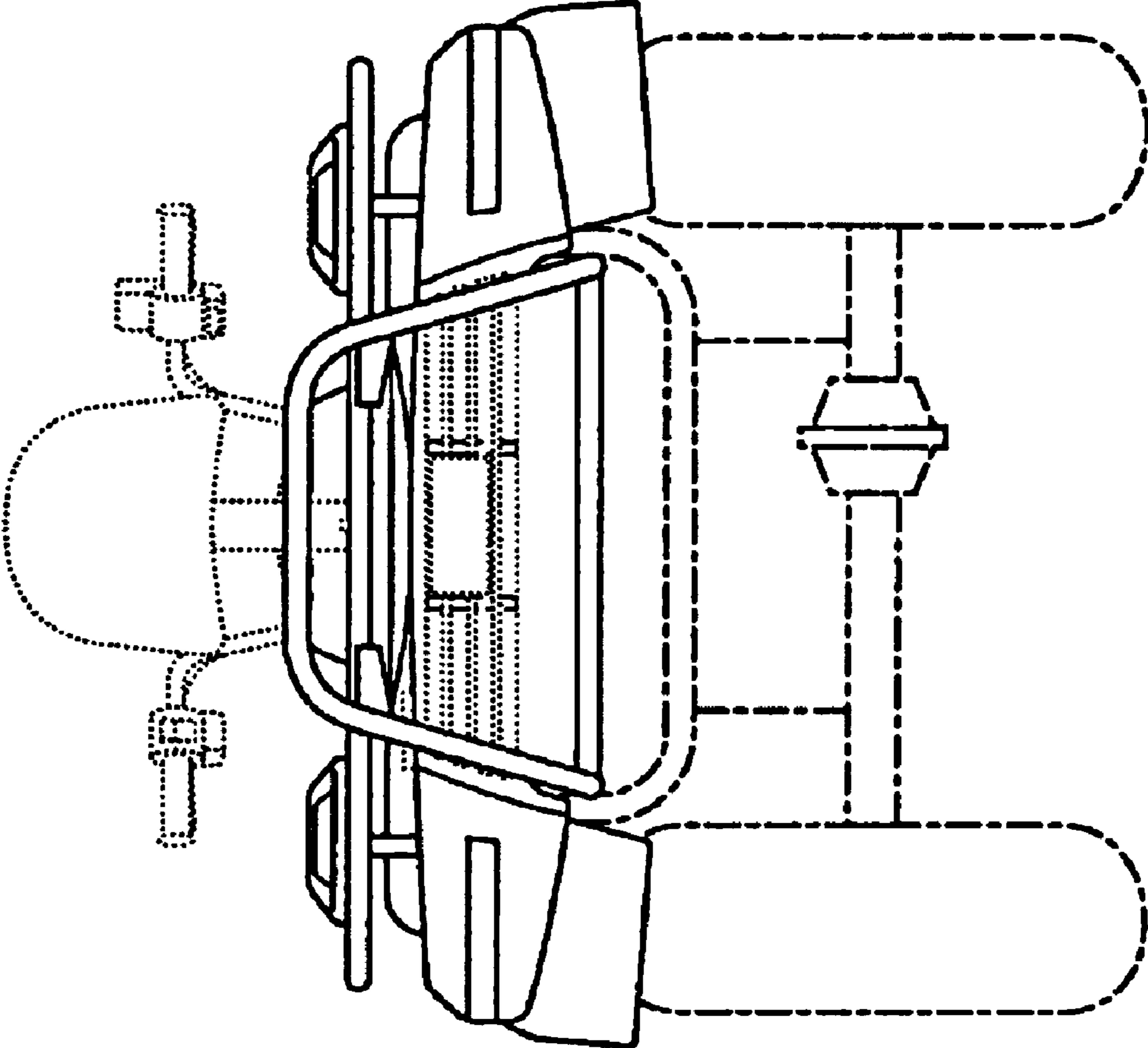
**FIG. 2**



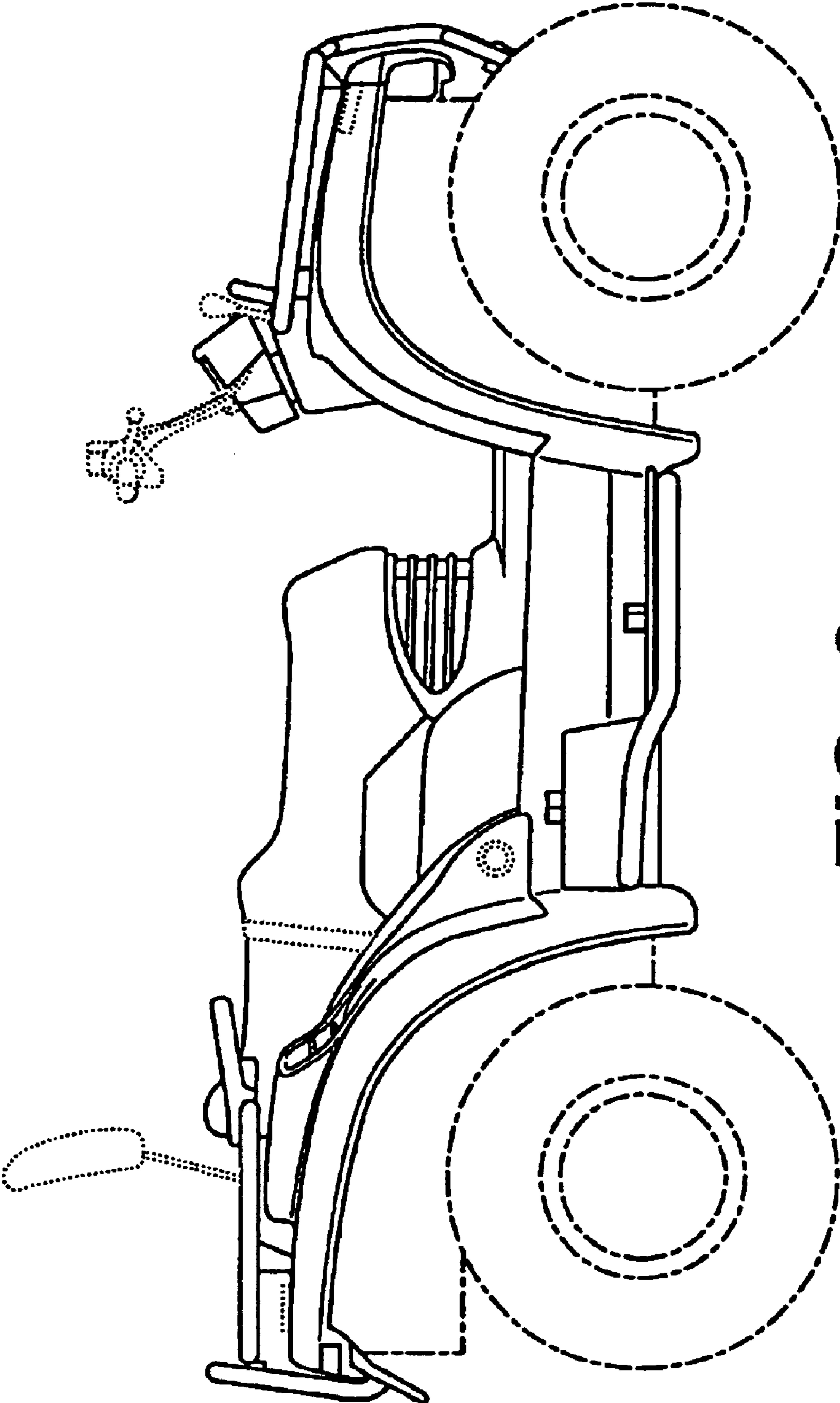
**FIG. 3**



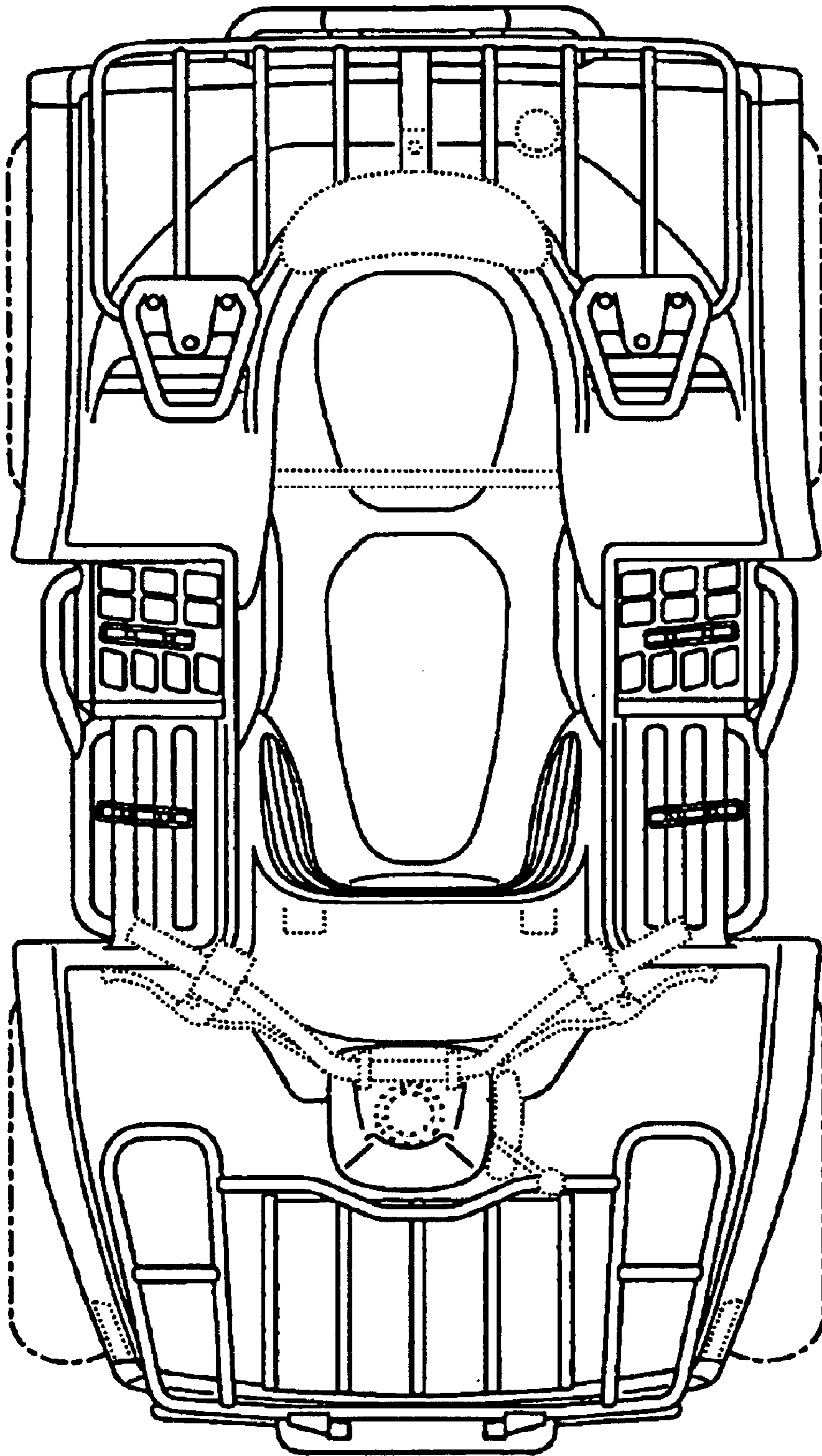
**FIG. 4**



**FIG. 5**



**FIG. 6**



**FIG. 7**