

US00D492913S1

(12) **United States Design Patent**  
**Bruns**

(10) **Patent No.:** **US D492,913 S**  
(45) **Date of Patent:** **\*\* Jul. 13, 2004**

(54) **COMBINED SNOWMOBILE SKI AND HANDLE**

(76) Inventor: **Steven A. Bruns**, 46988 - 730th Ave., Hector, MN (US) 55342

(\*\*) Term: **14 Years**

(21) Appl. No.: **29/188,110**

(22) Filed: **Aug. 14, 2003**

(51) **LOC (7) Cl.** ..... **12-14**

(52) **U.S. Cl.** ..... **D12/7**

(58) **Field of Search** ..... D12/7; D21/760, D21/766; 180/182-186, 190, 196, 11.18; 280/601-602, 608-610

(56) **References Cited**

**U.S. PATENT DOCUMENTS**

3,482,849	A	*	12/1969	Puetz	.....	280/28
3,765,695	A		10/1973	McGregor		
3,817,544	A		6/1974	LaBelle		
3,897,839	A	*	8/1975	Briseboils	.....	180/190
3,967,692	A		7/1976	Hoffman		
5,145,201	A		9/1992	Metheny		
5,360,220	A		11/1994	Simmons		
D366,014	S		1/1996	Lindquist et al.		
5,836,594	A		11/1998	Simmons		
D403,988	S	*	1/1999	Chapdelaine	.....	D12/7
6,012,728	A		1/2000	Noble		
6,086,101	A		7/2000	Cormican		
6,102,413	A	*	8/2000	Khennache et al.	.....	280/28

6,331,008	B2	*	12/2001	Cormican	.....	280/22
D466,832	S	*	12/2002	Cormican	.....	D12/7
D467,840	S	*	12/2002	Bruns et al.	.....	D12/7
D469,036	S	*	1/2003	Bruns et al.	.....	D12/7
D473,489	S	*	4/2003	Malette et al.	.....	D12/7

\* cited by examiner

*Primary Examiner*—Nelson C. Holtje

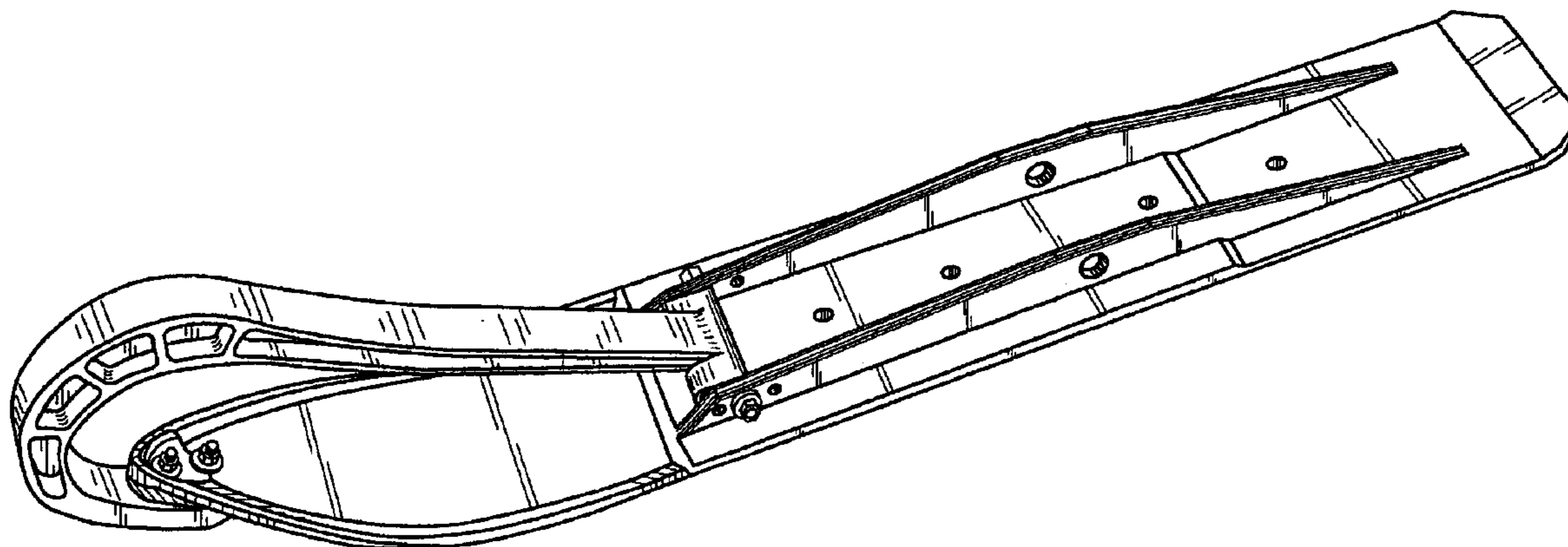
(57) **CLAIM**

The ornamental design of the combined snowmobile ski and handle, as shown and described.

**DESCRIPTION**

FIG. 1 is a perspective view of the combined snowmobile and handle of my new design;  
 FIG. 2 is a top plan view thereof;  
 FIG. 3 is a side elevational view thereof, the opposite side being a mirror image thereof;  
 FIG. 4 is a bottom plan view thereof;  
 FIG. 5 is a front elevational view thereof;  
 FIG. 6 is a rear elevational view thereof;  
 FIG. 7 is a perspective view of a modification of the combined snowmobile ski and handle of FIG. 1;  
 FIG. 8 is a top plan view of FIG. 7;  
 FIG. 9 is a side elevational view of FIG. 7, the opposite side being a mirror image thereof;  
 FIG. 10 is a bottom plan view of FIG. 7;  
 FIG. 11 is a front elevational view of FIG. 7; and,  
 FIG. 12 is a rear elevational view of FIG. 7.

**1 Claim, 6 Drawing Sheets**



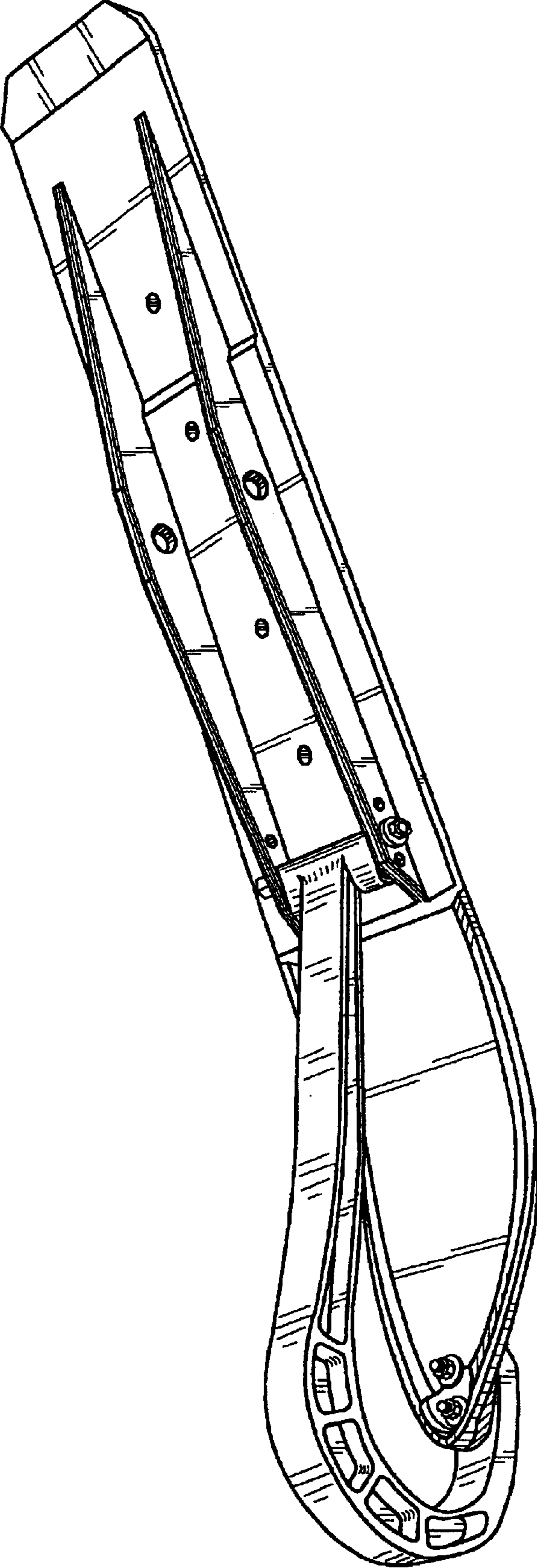


FIG. 1

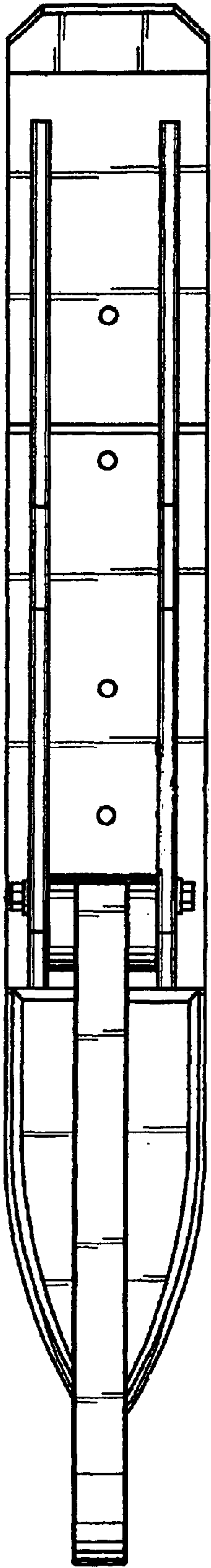


FIG. 2

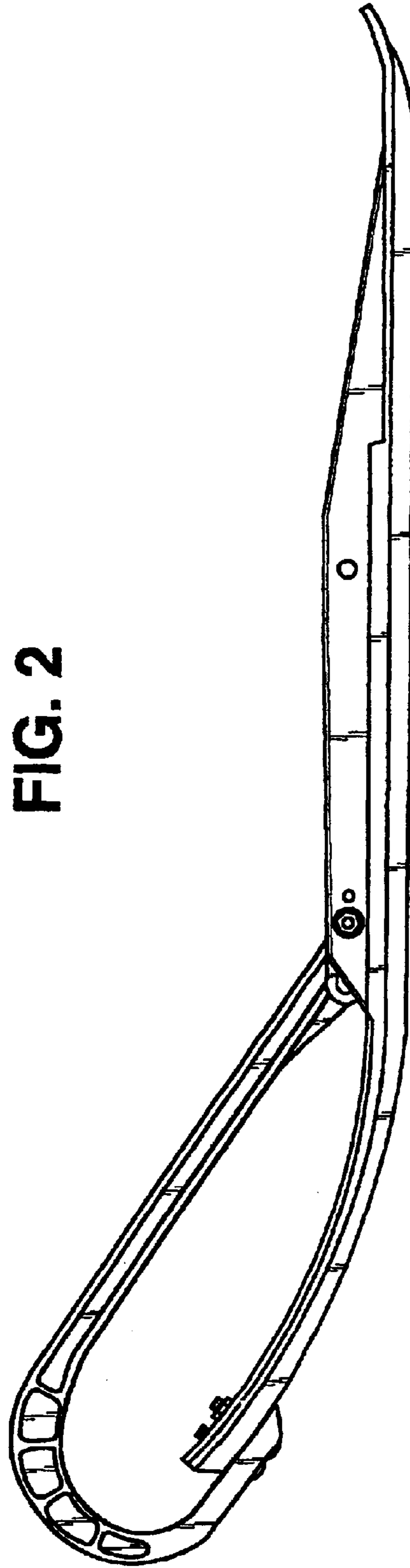


FIG. 3

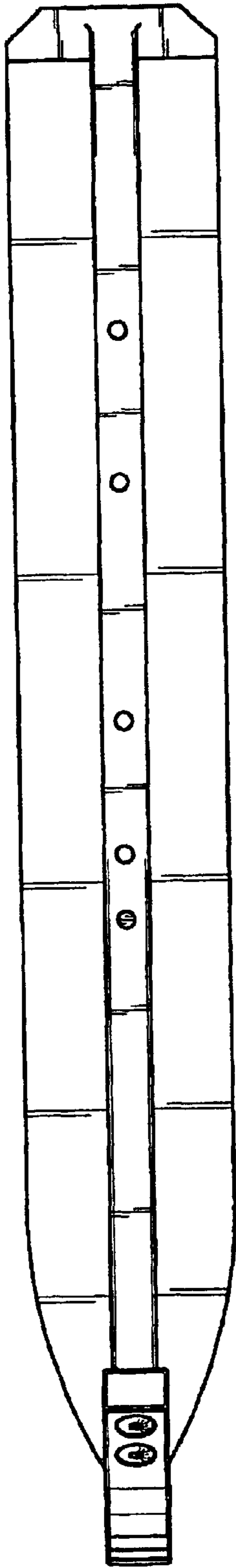


FIG. 4

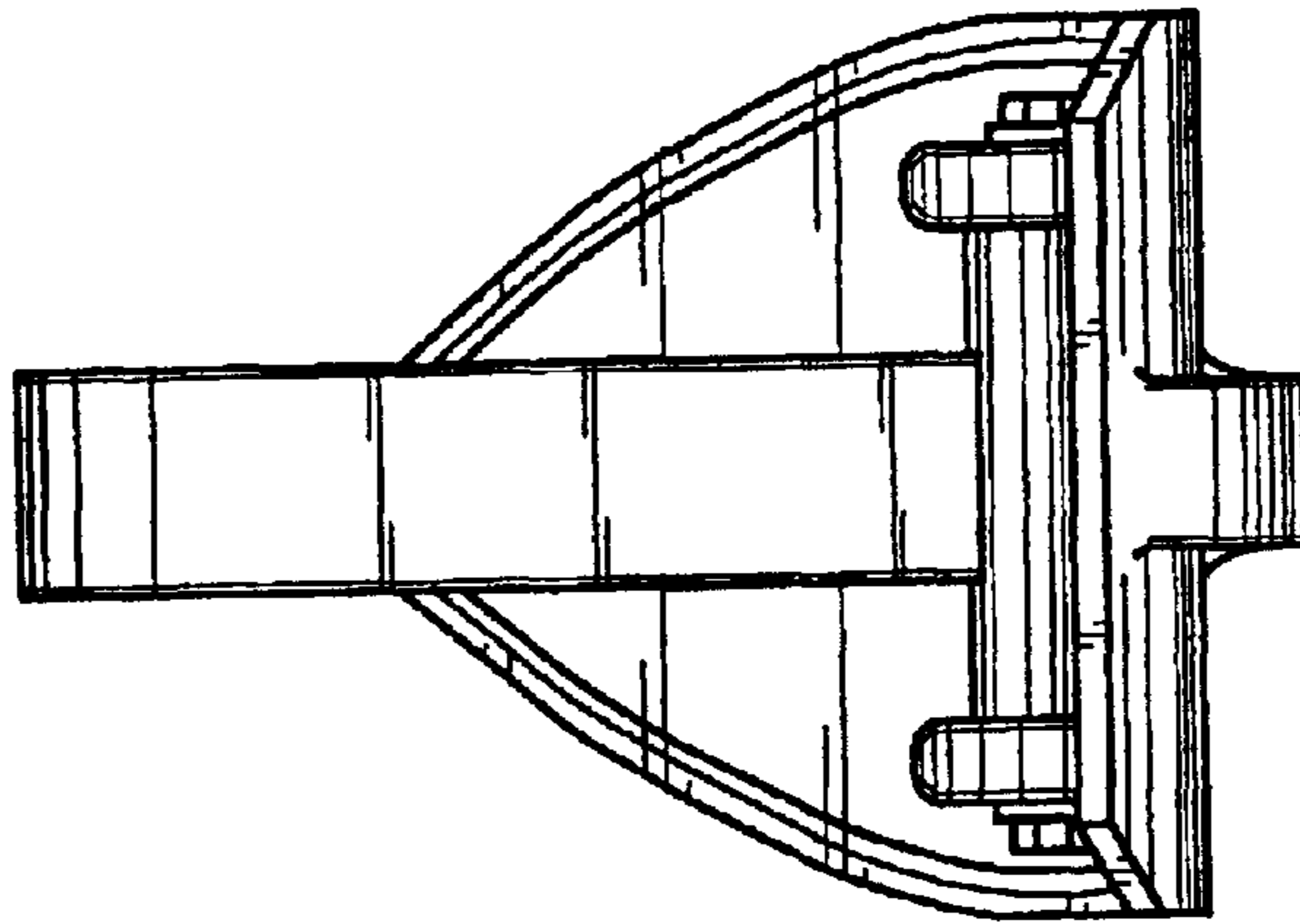


FIG. 6

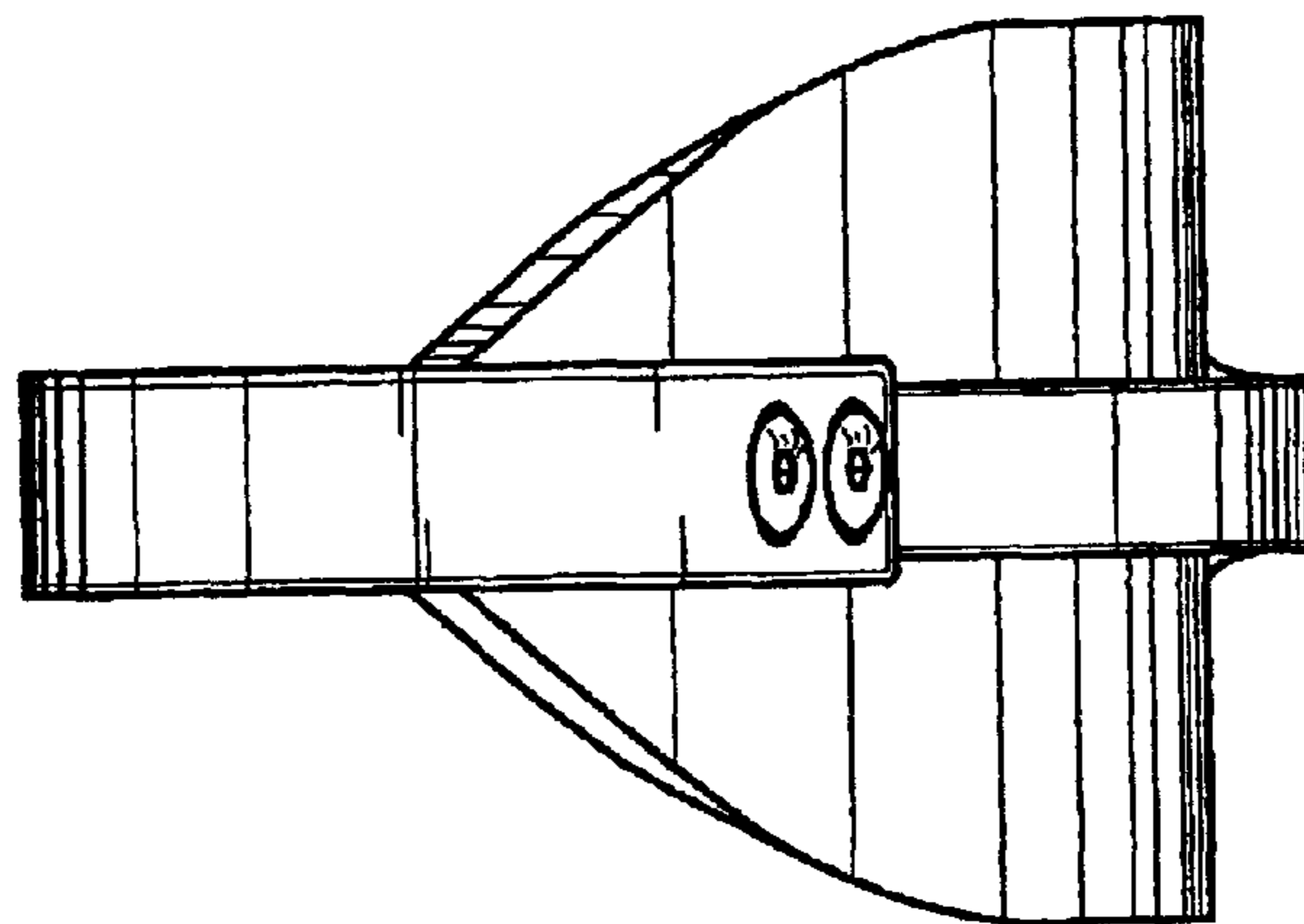


FIG. 5

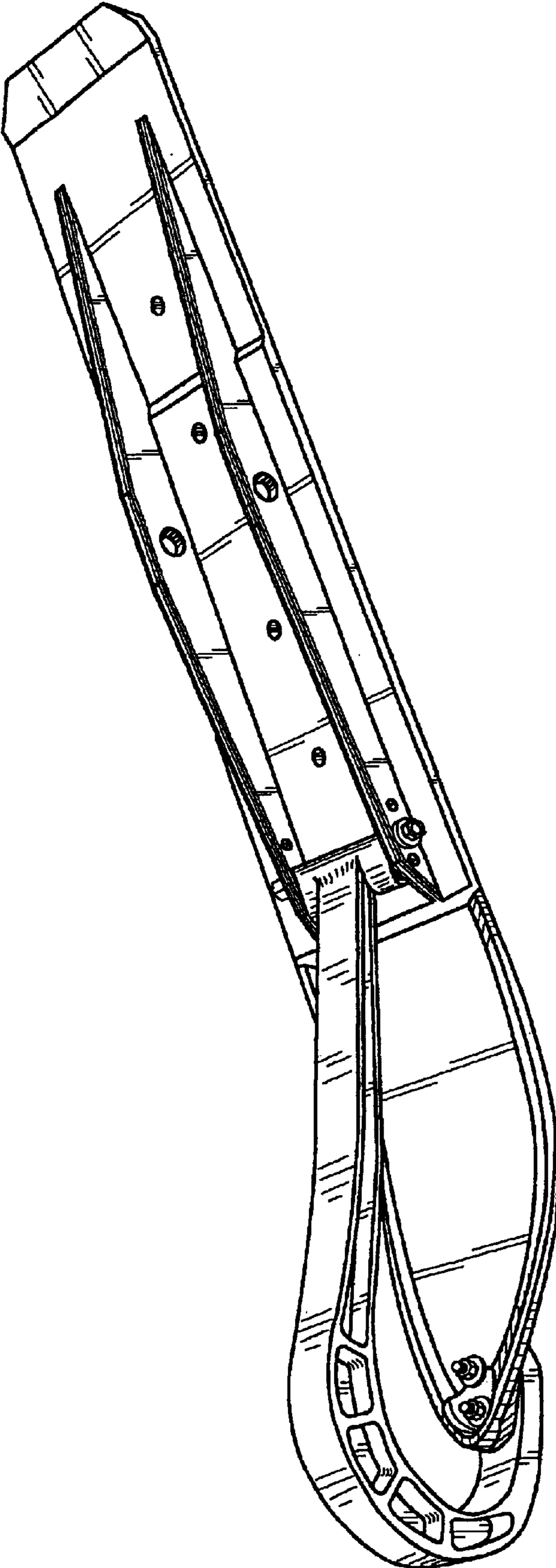
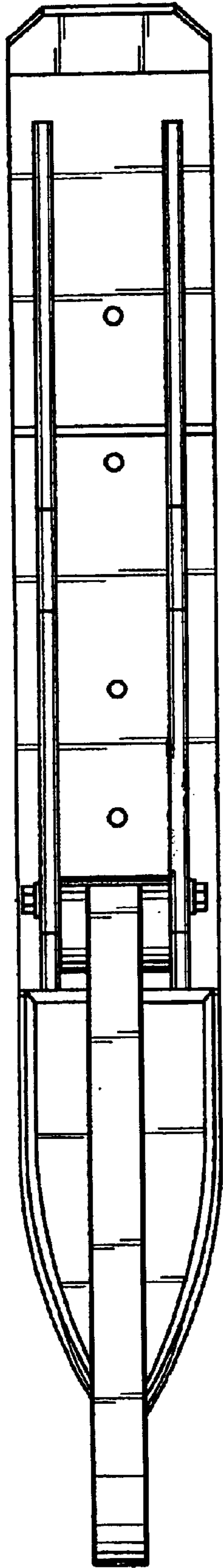
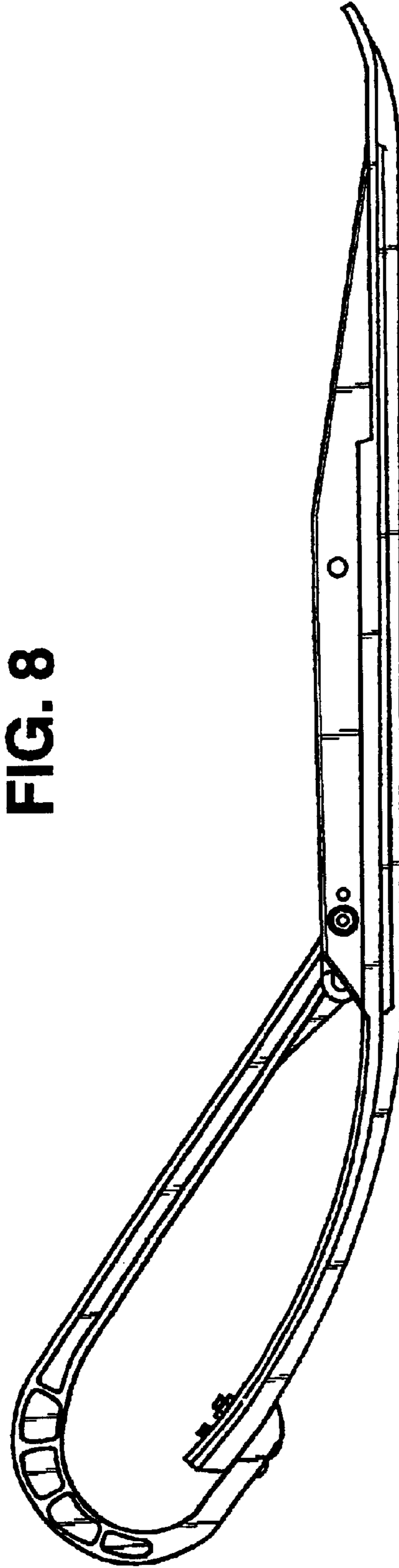


FIG. 7





**FIG. 8**



**FIG. 9**

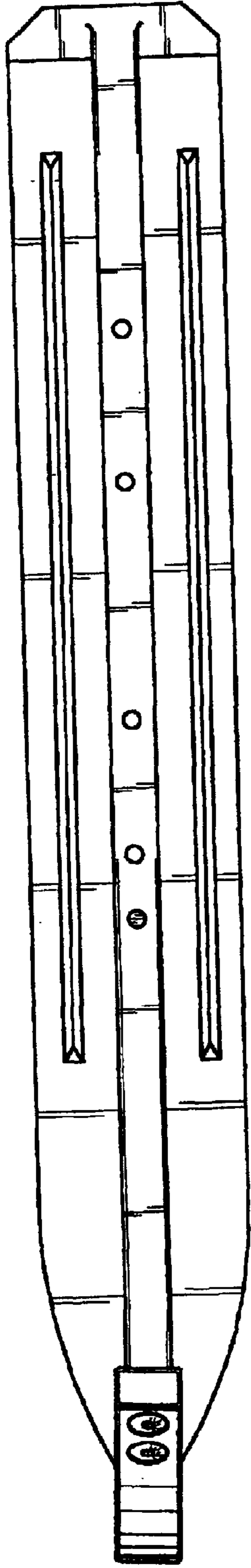


FIG. 10

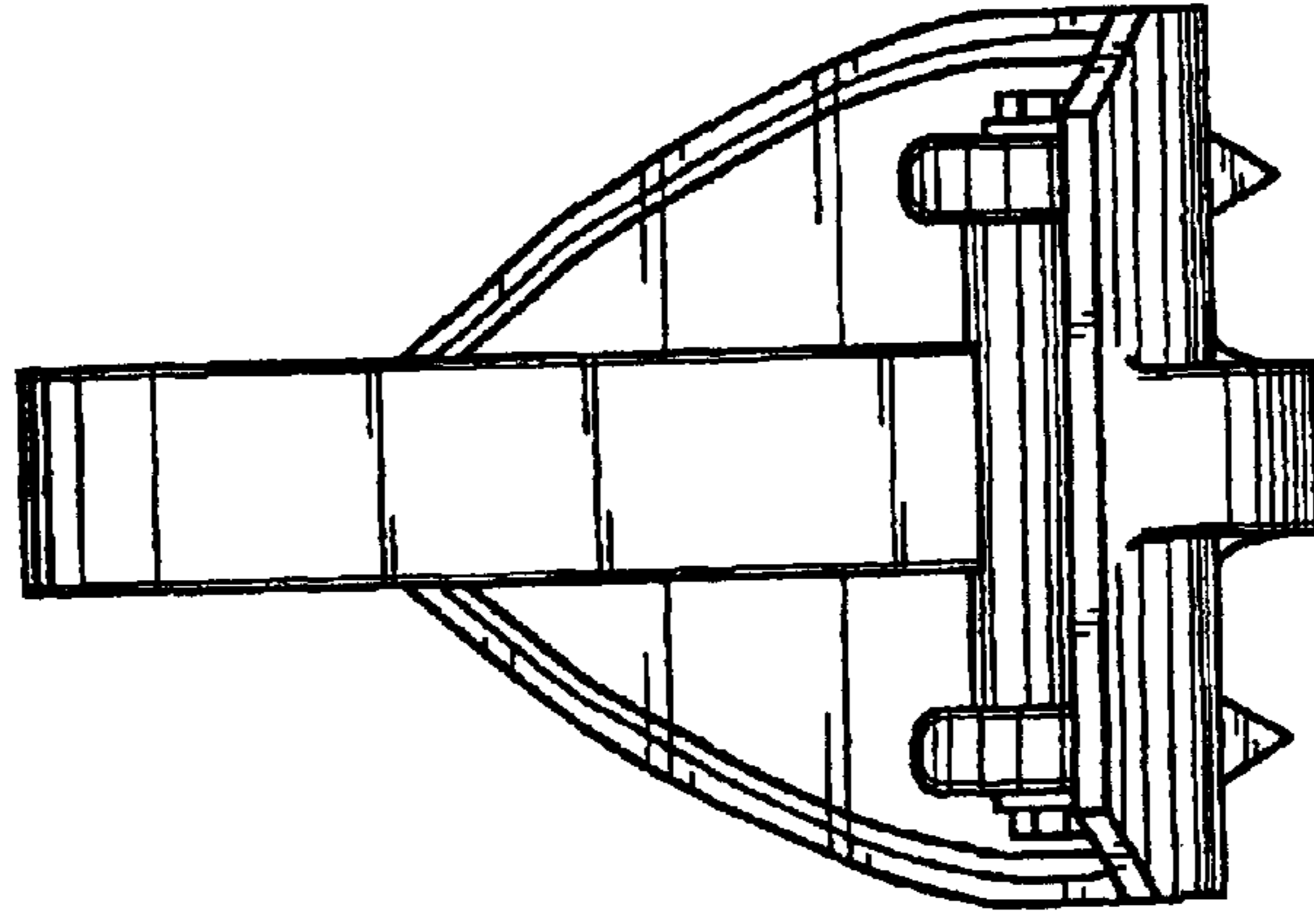


FIG. 12

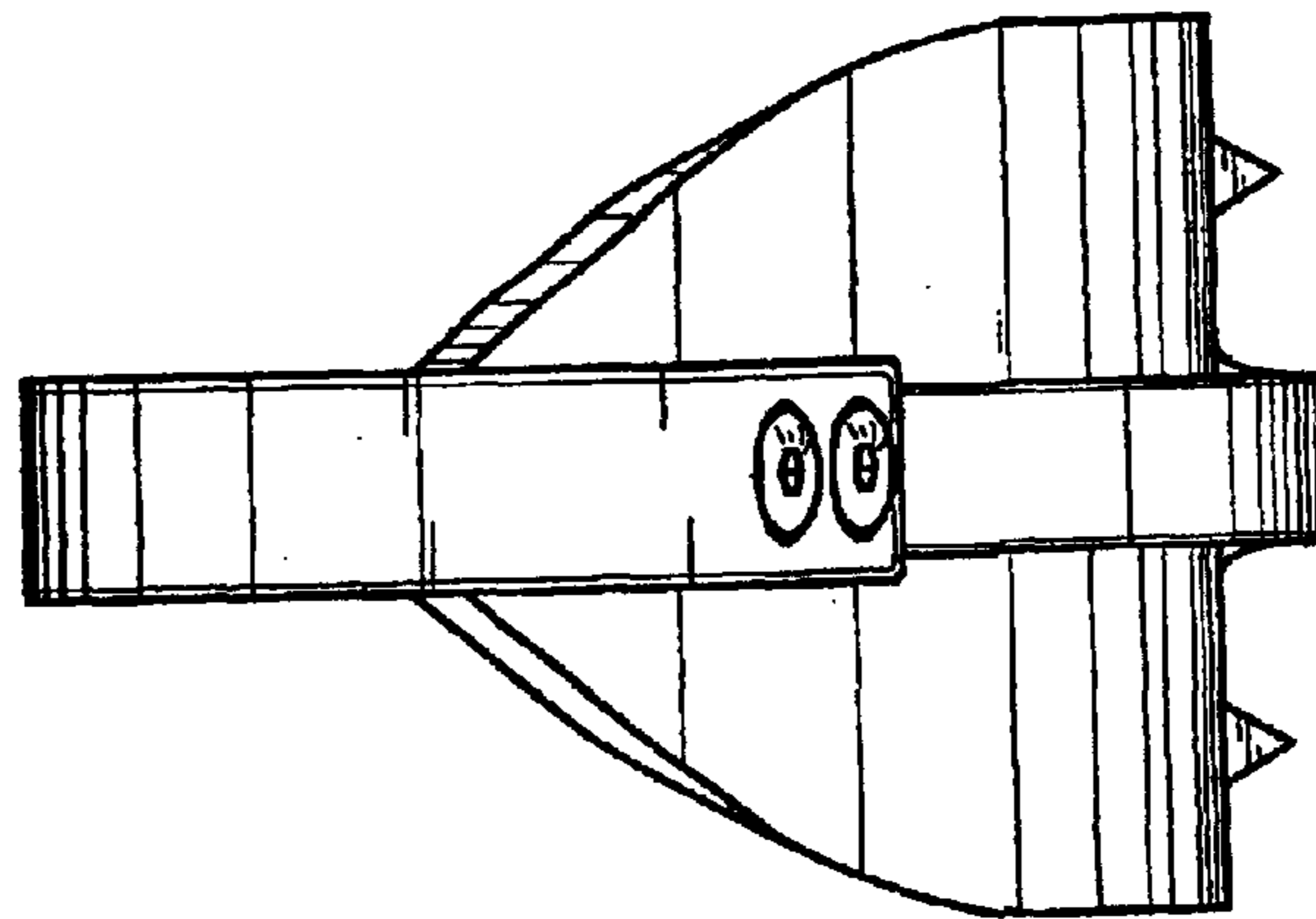


FIG. 11