

US00D492908S1

(12) **United States Design Patent**
Njai et al.

(10) **Patent No.:** **US D492,908 S**
(45) **Date of Patent:** **** Jul. 13, 2004**

(54) **CUSTOM BRACELET**

(76) Inventors: **Momarr A. Njai**, Njai'5, P.O. Box
211291, Bedford, TX (US) 76095;
Alaghi Sissokho, C/O Sainabou Njai,
P.O. Box 2121, Serrekunda (GM)

(**) **Term:** **14 Years**

(21) **Appl. No.:** **29/167,861**

(22) **Filed:** **Sep. 24, 2002**

(51) **LOC (7) Cl.** **11-01**

(52) **U.S. Cl.** **D11/4**

(58) **Field of Search** D11/3-15, 18-20,
D11/22-25, 93; 63/3, 4, 9, 21, 38; 59/78,
79.1, 79.3, 83

(56) **References Cited**

U.S. PATENT DOCUMENTS

260,540 A * 7/1882 Cottle 63/11
297,874 A * 4/1884 Thiery 63/11

310,011 A * 12/1884 Adams 63/8
D246,768 S 12/1977 Kelman
D256,105 S 7/1980 Durante
D309,586 S 7/1990 Ruscitti
D382,222 S * 8/1997 Coto D11/4
D402,911 S * 12/1998 Barcon D11/4
D406,785 S 3/1999 Ruscitti
D439,192 S * 3/2001 Ruscitti D11/26
D460,374 S * 7/2002 Park D11/4

* cited by examiner

Primary Examiner—Ralf Seifert

(74) *Attorney, Agent, or Firm*—Richard C. Litman

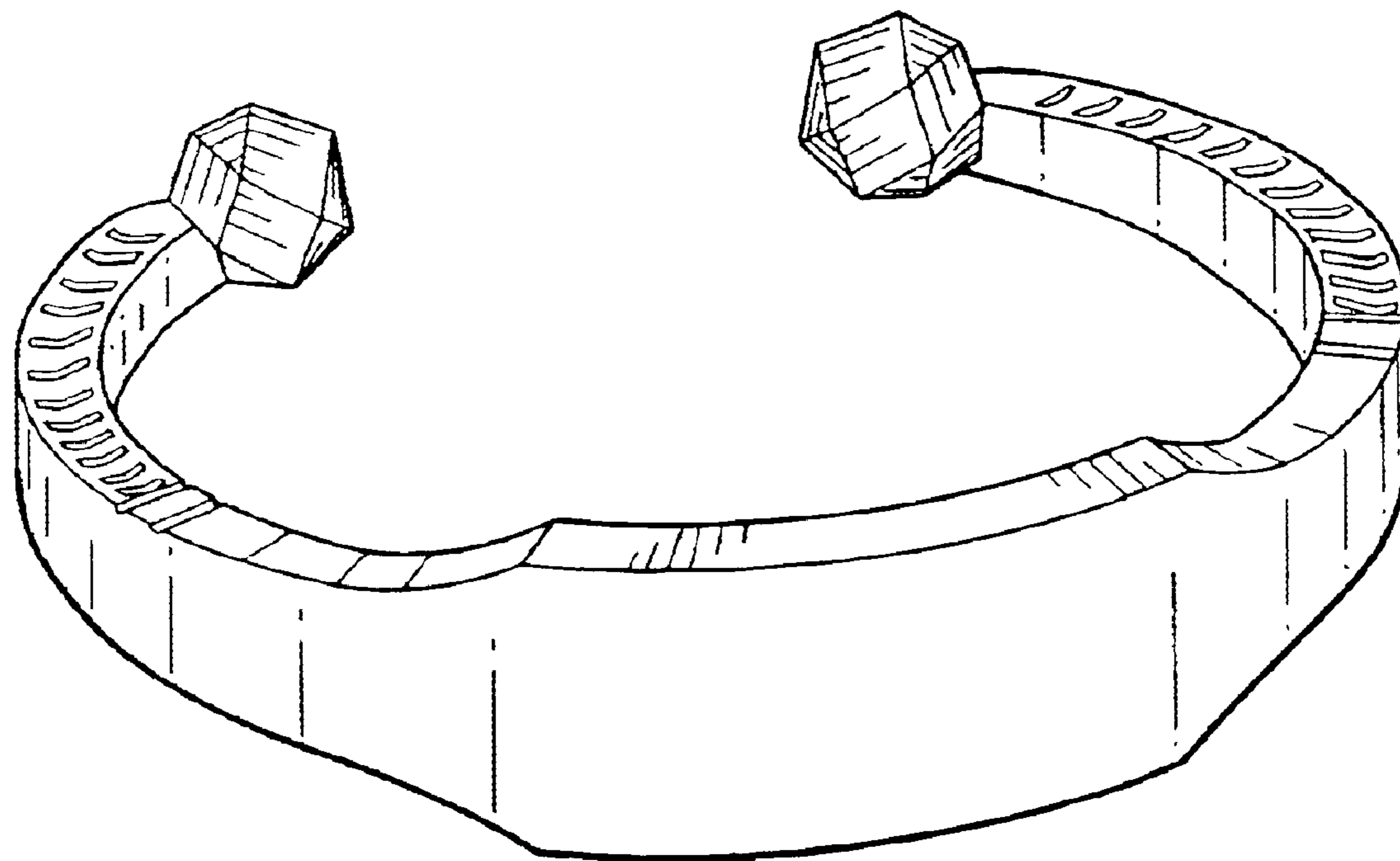
(57) **CLAIM**

The ornamental design for a custom bracelet, as shown and described.

DESCRIPTION

FIG. 1 is a perspective view of custom bracelet showing our new design.

1 Claim, 1 Drawing Sheet



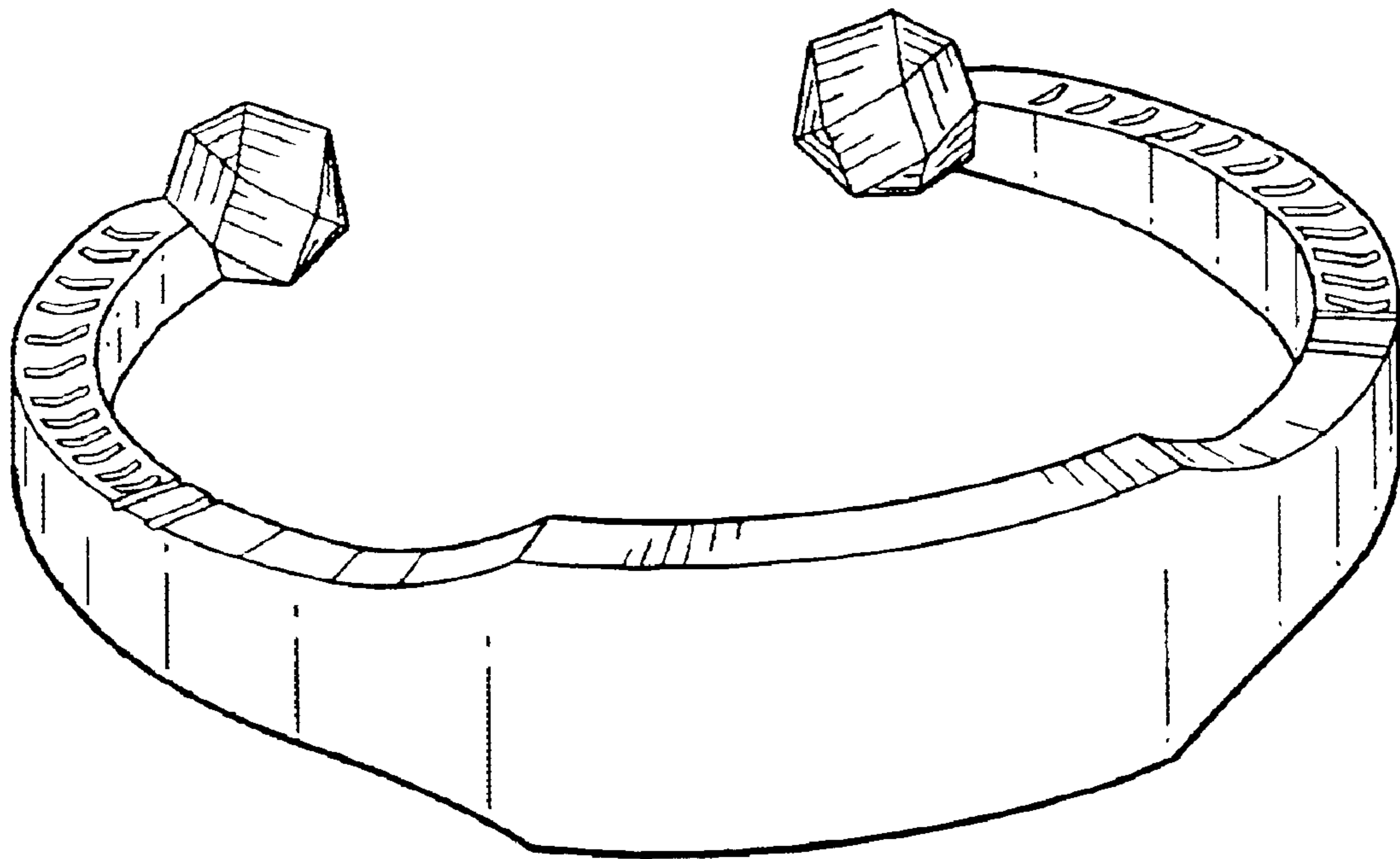


Fig. 1