



US00D492899S1

(12) **United States Design Patent Grant**

(10) **Patent No.: US D492,899 S**
(45) **Date of Patent: ** Jul. 13, 2004**

- (54) **DISPENSER**
- (75) Inventor: **Bradford Grant**, Bridgewater, NJ (US)
- (73) Assignee: **Warner-Lambert Company LLC**,
Morris Plains, NJ (US)
- (**) Term: **14 Years**
- (21) Appl. No.: **29/183,688**
- (22) Filed: **Jun. 16, 2003**

Related U.S. Application Data

- (63) Continuation-in-part of application No. 29/181,602, filed on May 13, 2003, and a continuation-in-part of application No. 29/163,636, filed on Jul. 8, 2002, now Pat. No. Des. 485,751.
- (51) **LOC (7) Cl. 09-01**
- (52) **U.S. Cl. D9/339**
- (58) **Field of Search D9/337-339, 341, D9/346, 414-416, 424, 430-434, 443, 449; D8/49; D24/101; D26/6, 9-10; 221/208, 210; 222/92, 173**

(56) **References Cited**

U.S. PATENT DOCUMENTS

| | | |
|-------------|---------|-------------------|
| 823,823 A | 6/1906 | Sutherland |
| 2,011,394 A | 8/1935 | Bruns et al. |
| 2,531,737 A | 11/1950 | Lyon, Jr. |
| 2,567,089 A | 9/1951 | Walsh |
| 2,669,349 A | 2/1954 | Silver |
| 2,683,554 A | 7/1954 | Mulhauser, Jr. |
| 2,774,470 A | 12/1956 | Q'Part |
| 2,877,927 A | 3/1959 | King, Jr. |
| 3,059,762 A | 10/1962 | Yoshimoto |
| 3,301,437 A | 1/1967 | Faber |
| 3,896,967 A | 7/1975 | Doolittle |
| 3,942,683 A | 3/1976 | Haas |
| 4,168,786 A | 9/1979 | Veiniere |
| 4,180,192 A | 12/1979 | Breslau |
| 4,354,619 A | 10/1982 | Wippermann et al. |
| 4,405,060 A | 9/1983 | Hsei |
| 4,415,098 A | 11/1983 | Haas |
| 4,492,316 A | 1/1985 | Emms |
| 5,174,471 A | 12/1992 | Kozlowski et al. |

| | | |
|--------------|---------|-----------------------|
| 5,178,298 A | 1/1993 | Allina |
| 5,351,858 A | 10/1994 | Bar-Yona et al. |
| 5,361,908 A | 11/1994 | Drew et al. |
| D358,093 S | 5/1995 | Lanteigne et al. |
| D362,517 S | 9/1995 | Pirmayer |
| 5,460,295 A | 10/1995 | Law |
| 5,553,739 A | 9/1996 | Plum et al. |
| 5,632,399 A | 5/1997 | Palmieri et al. |
| 5,657,901 A | 8/1997 | Farside |
| 5,687,885 A | 11/1997 | Turk et al. |
| D399,604 S | 10/1998 | Wolff |
| 5,816,441 A | 10/1998 | Farside |
| D405,524 S | 2/1999 | Falk et al. |
| 5,954,228 A | 9/1999 | Minnette |
| D430,022 S | 8/2000 | Goettner |
| 6,119,958 A | 9/2000 | De Vecchi |
| 6,206,235 B1 | 3/2001 | Green |
| D442,478 S | 5/2001 | Holthaus |
| D467,799 S | 12/2002 | Persson |
| D475,917 S | 6/2003 | Grant |
| D485,490 S * | 1/2004 | Bradford D9/339 |

* cited by examiner

Primary Examiner—Philip S. Hyder

Assistant Examiner—Daniel Bui

(74) *Attorney, Agent, or Firm*—Evan J. Federman; Darryl C. Little; Kenneth G. Lemke

(57) **CLAIM**

The ornamental design for a dispenser, as shown and described.

DESCRIPTION

FIG. 1 is a front perspective view of the dispenser;
 FIG. 2 is a top plan view of the dispenser;
 FIG. 3 is a left side elevational view of the dispenser;
 FIG. 4 is a front elevational view of the dispenser;
 FIG. 5 is a rear elevational view of the dispenser;
 FIG. 6 is a right side elevational view of the dispenser; and,
 FIG. 7 is a bottom plan view of the dispenser.

The broken lines shown in FIGS. 1, 3 and 6 represent boundary lines of the claimed design, and the dash-dot line showing of the environment in FIGS. 1-7 is for illustrative purposes only and forms no part of the claimed design.

1 Claim, 4 Drawing Sheets

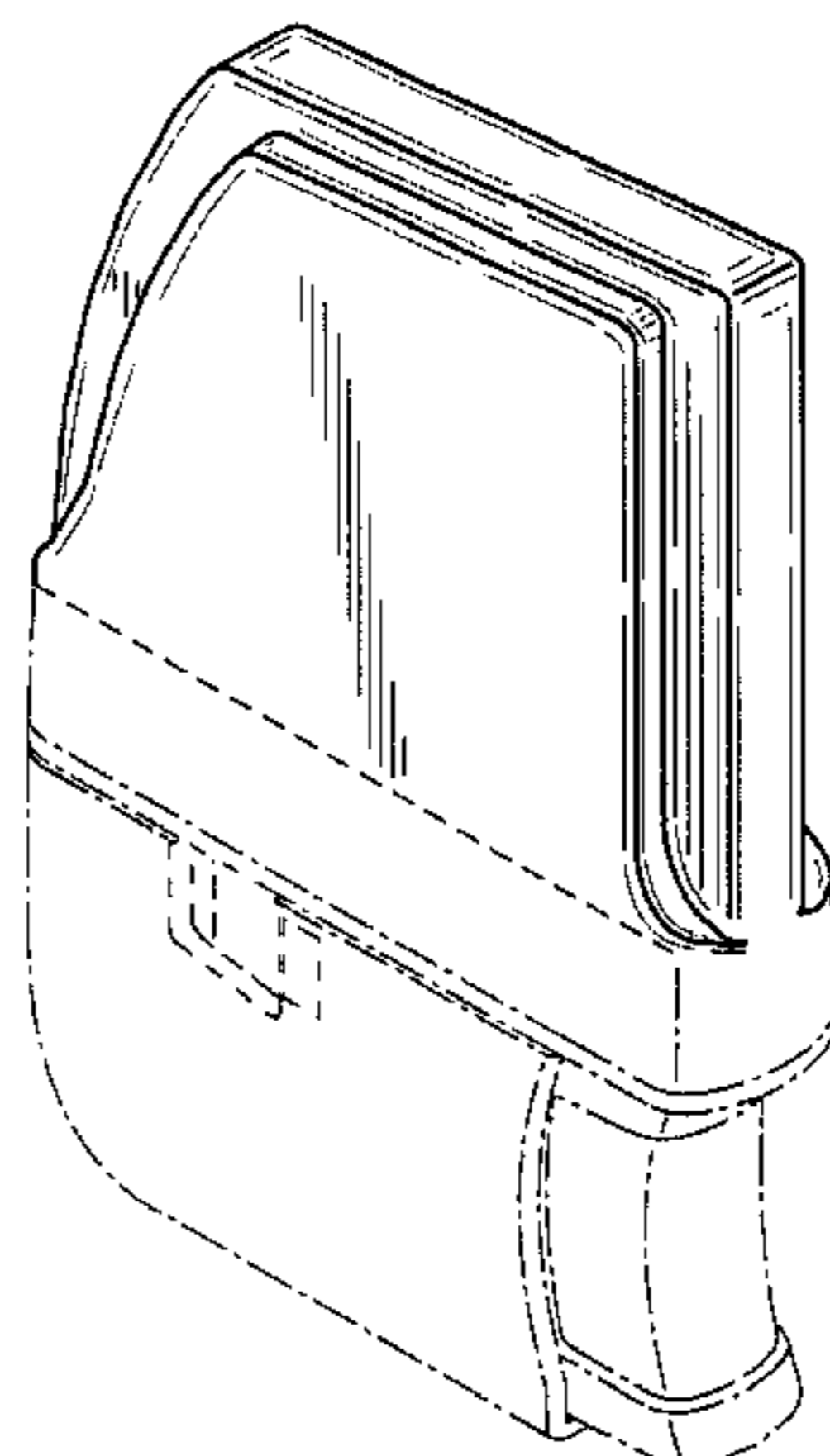


FIG. 1

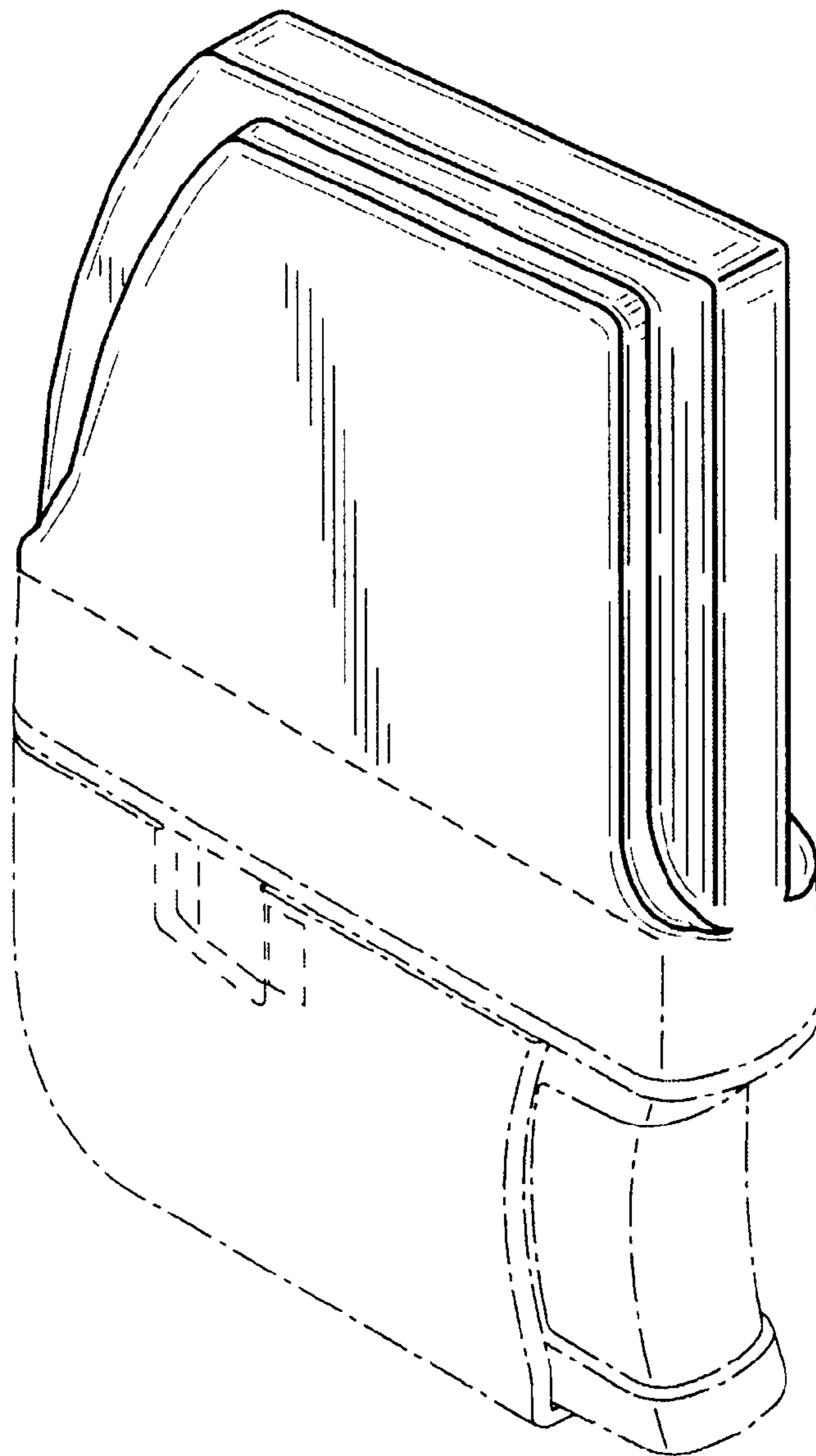


FIG. 2

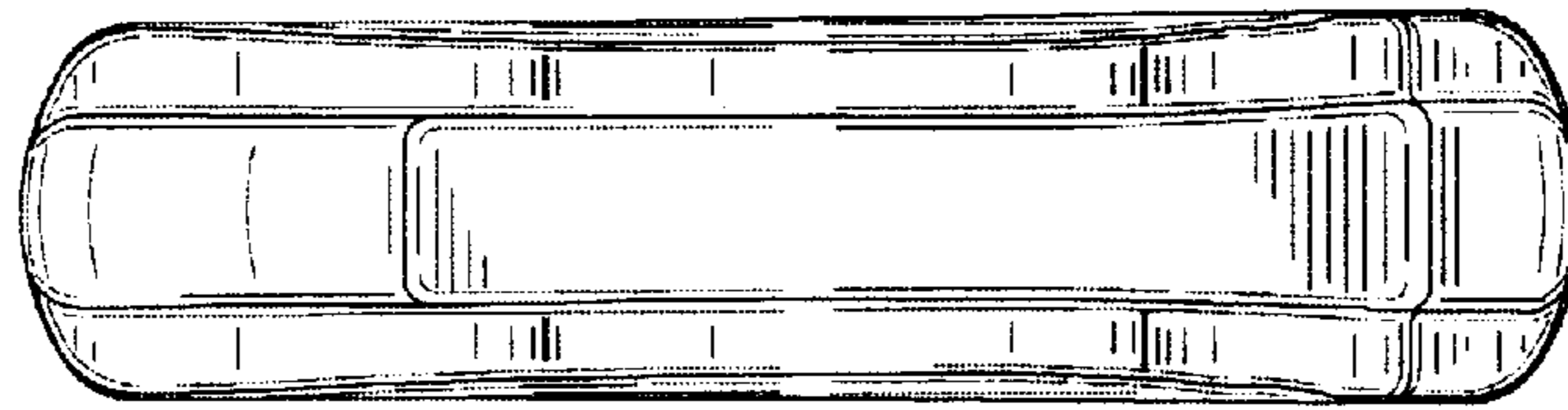


FIG. 3

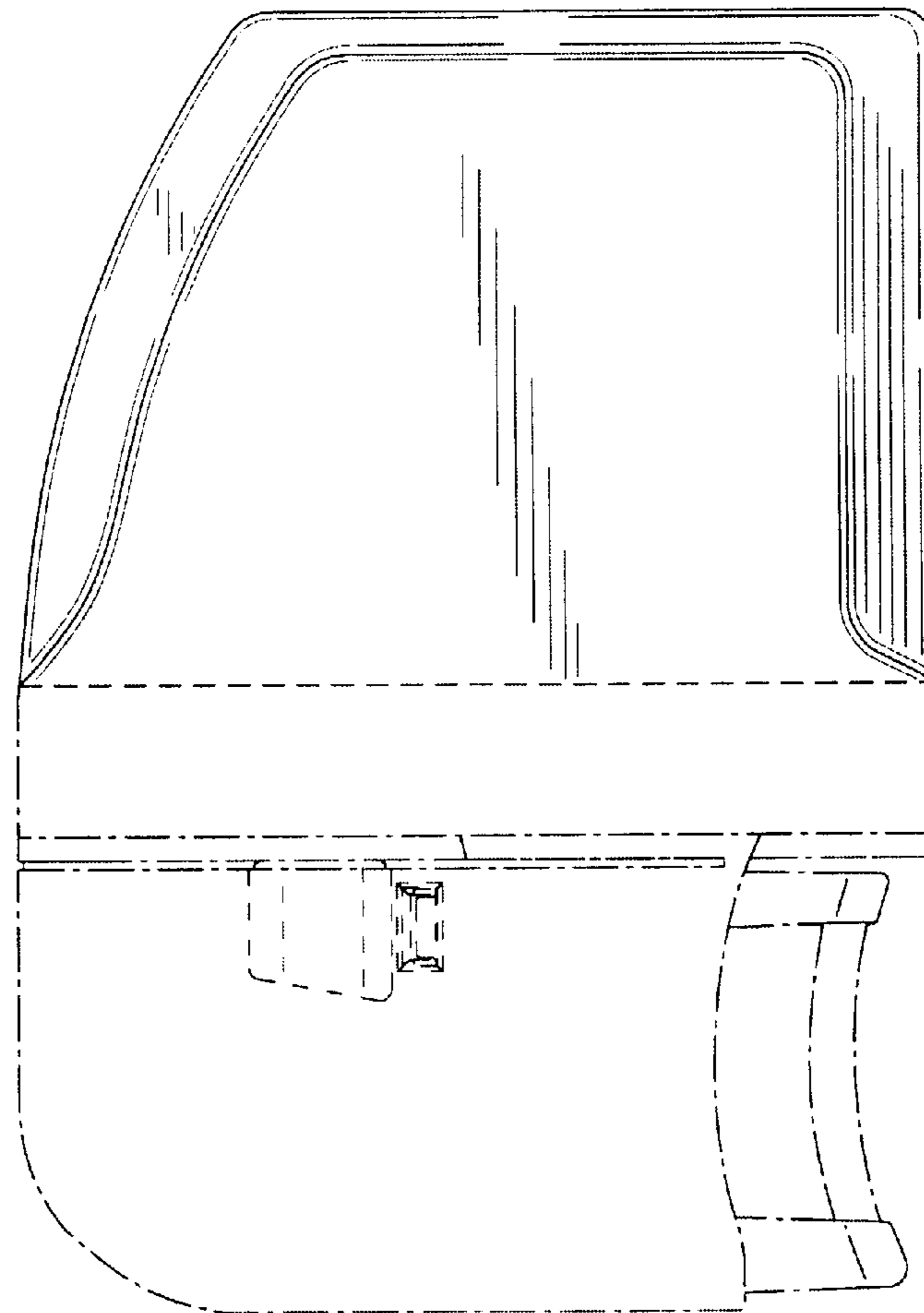


FIG. 4

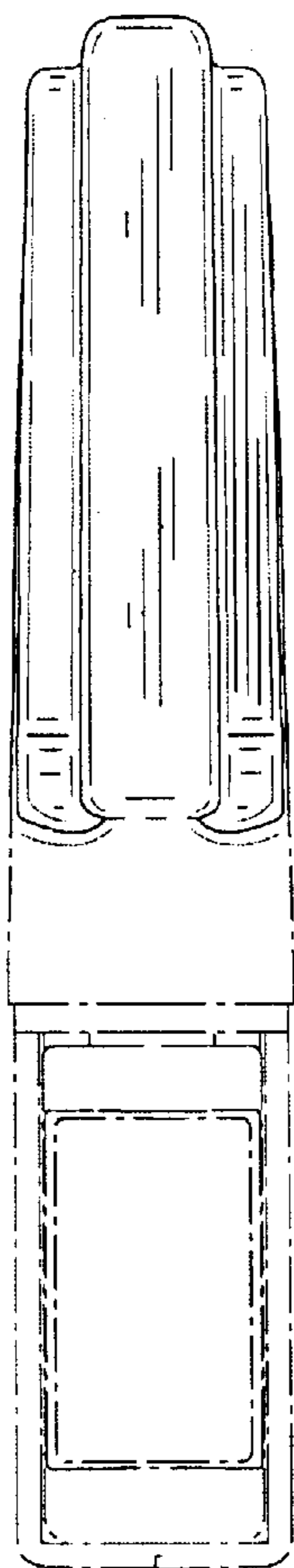


FIG. 5

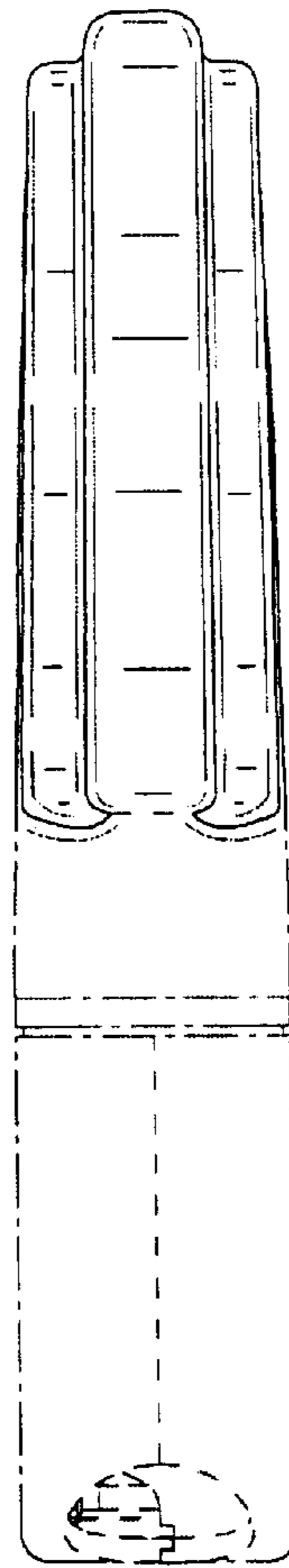


FIG. 6

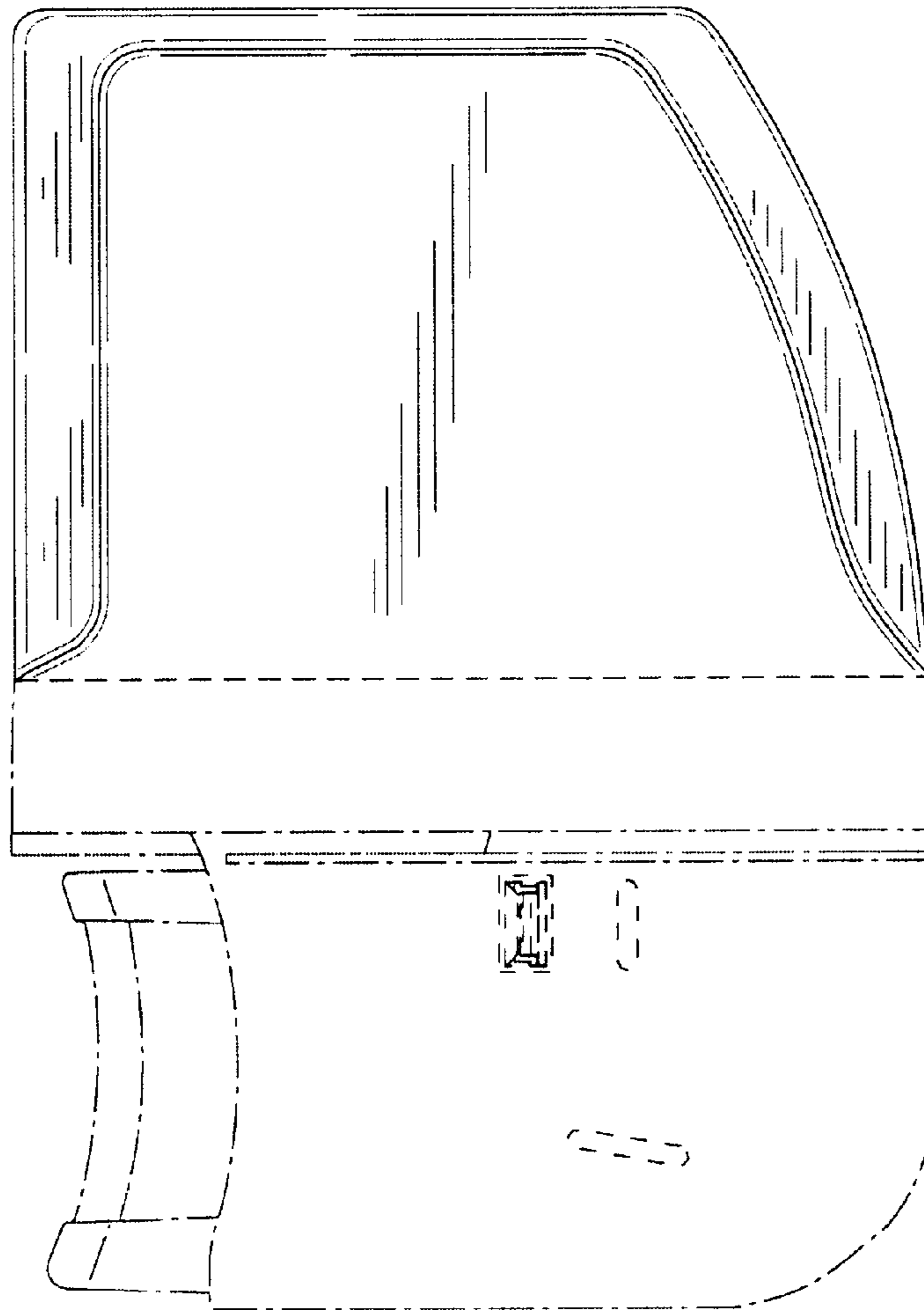


FIG. 7

