

US00D492898S1

(12) **United States Design Patent Grant** (10) **Patent No.: US D492,898 S**
(45) **Date of Patent: ** Jul. 13, 2004**

(54) **DISPENSER**
(75) Inventor: **Bradford Grant**, Bridgewater, NJ (US)
(73) Assignee: **Warner-Lambert Company LLC**,
Morris Plains, NJ (US)
(**) Term: **14 Years**
(21) Appl. No.: **29/183,686**
(22) Filed: **Jun. 16, 2003**

Related U.S. Application Data

(63) Continuation of application No. 29/181,602, filed on May 13, 2003, which is a continuation-in-part of application No. 29/163,620, filed on Jul. 8, 2002, now Pat. No. Des. 475,917.
(51) **LOC (7) Cl. 09-01**
(52) **U.S. Cl. D9/339**
(58) **Field of Search D9/337-339, 341, D9/346, 414-416, 424, 430-434, 443, 449; D8/49; D24/101; D26/6, 9-10; 221/208, 210; 222/92, 173**

References Cited

U.S. PATENT DOCUMENTS

823,823 A 6/1906 Sutherland
2,011,394 A 8/1935 Bruns et al.
2,531,737 A 11/1950 Lyon, Jr.
2,567,089 A 9/1951 Walsh
2,669,349 A 2/1954 Silver
2,683,554 A 7/1954 Mulhauser, Jr.
2,774,470 A 12/1956 Part
2,877,927 A 3/1959 King, Jr.
3,059,762 A 10/1962 Yoshimoto
3,301,437 A 1/1967 Faber
3,896,967 A 7/1975 Doolittle
3,942,683 A 3/1976 Haas
4,168,786 A 9/1979 Veiniere
4,180,192 A 12/1979 Breslau
4,354,619 A 10/1982 Wippermann et al.
4,405,060 A 9/1983 Hsei
4,415,098 A 11/1983 Haas
4,492,316 A 1/1985 Emms

5,174,471 A 12/1992 Kozlowski et al.
5,178,298 A 1/1993 Allina
5,351,858 A 10/1994 Bar-Yona et al.
5,361,908 A 11/1994 Drew et al.
D358,093 S * 5/1995 Lanteigne et al. D9/430
D362,517 S * 9/1995 Pirmayer D28/49
5,460,295 A 10/1995 Law
5,553,739 A 9/1996 Plum et al.
5,632,399 A 5/1997 Palmieri et al.
5,657,901 A 8/1997 Farside
5,687,885 A 11/1997 Turk et al.
D399,604 S * 10/1998 Wolff D28/66
5,816,441 A 10/1998 Farside
D405,524 S * 2/1999 Falk et al. D24/113
5,954,228 A 9/1999 Minnette
6,119,958 A 9/2000 De Vecchi
6,206,235 B1 3/2001 Green
D475,917 S 6/2003 Grant
D485,490 S * 1/2004 Grant D9/339

* cited by examiner

Primary Examiner—Philip S. Hyder
Assistant Examiner—Daniel Bui
(74) *Attorney, Agent, or Firm*—Evan J. Federman; Darryl C. Little; Kenneth G. Lemke

(57) **CLAIM**

The ornamental design for a dispenser, as shown and described.

DESCRIPTION

FIG. 1 is a front perspective view of the dispenser;
FIG. 2 is a top plan view of the dispenser;
FIG. 3 is a left side elevational view of the dispenser;
FIG. 4 is a front elevational view of the dispenser;
FIG. 5 is a rear elevational view of the dispenser;
FIG. 6 is a right side elevational view of the dispenser; and,
FIG. 7 is a bottom plan view of the dispenser.
The broken lines shown in FIGS. 1, 3 and 6 represent boundary lines of the claimed design, and the dash-dot line showing of the environment in FIGS. 1-7 is for illustrative purposes only and forms no part of the claimed design.

1 Claim, 4 Drawing Sheets

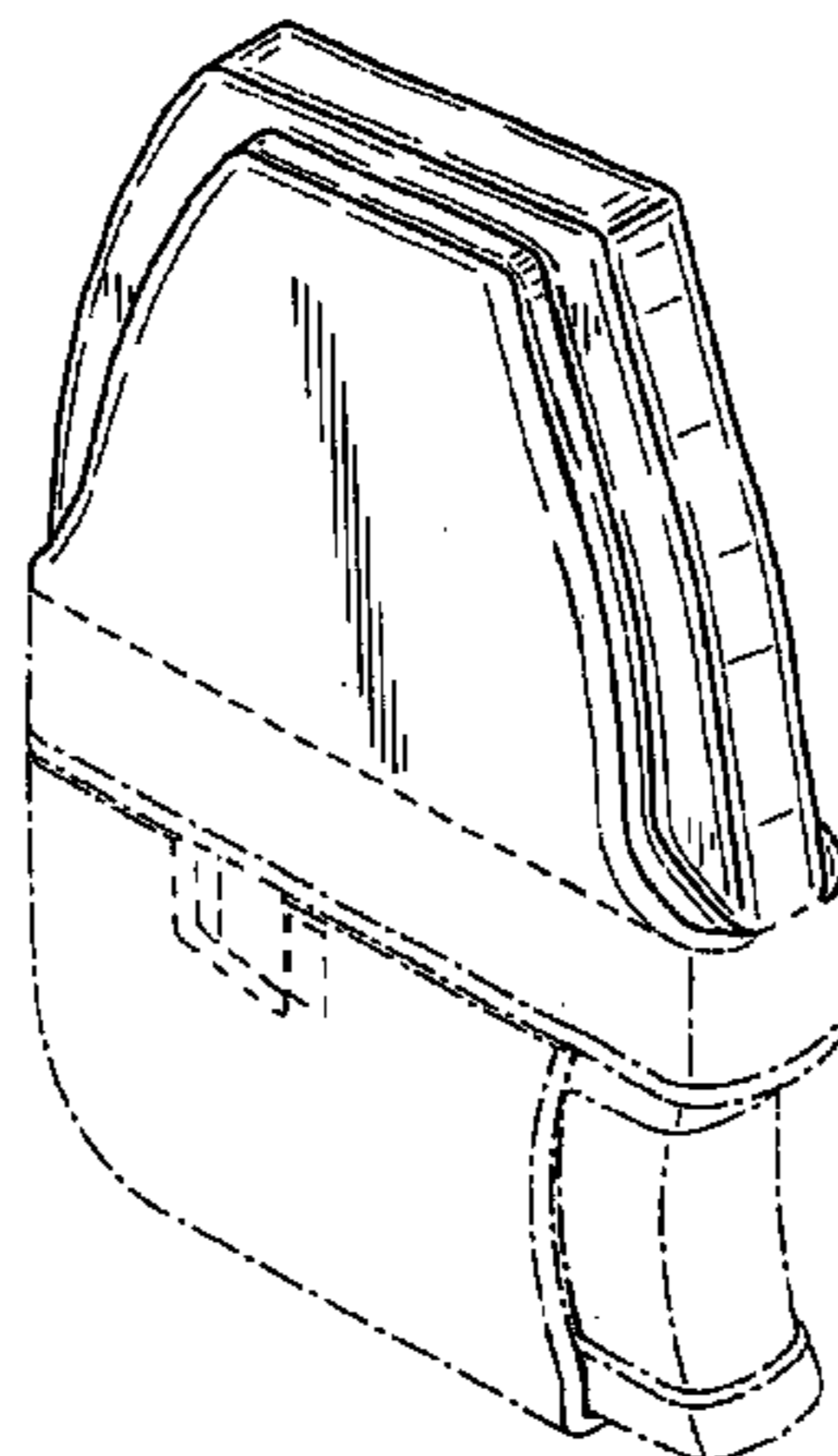


FIG. 1

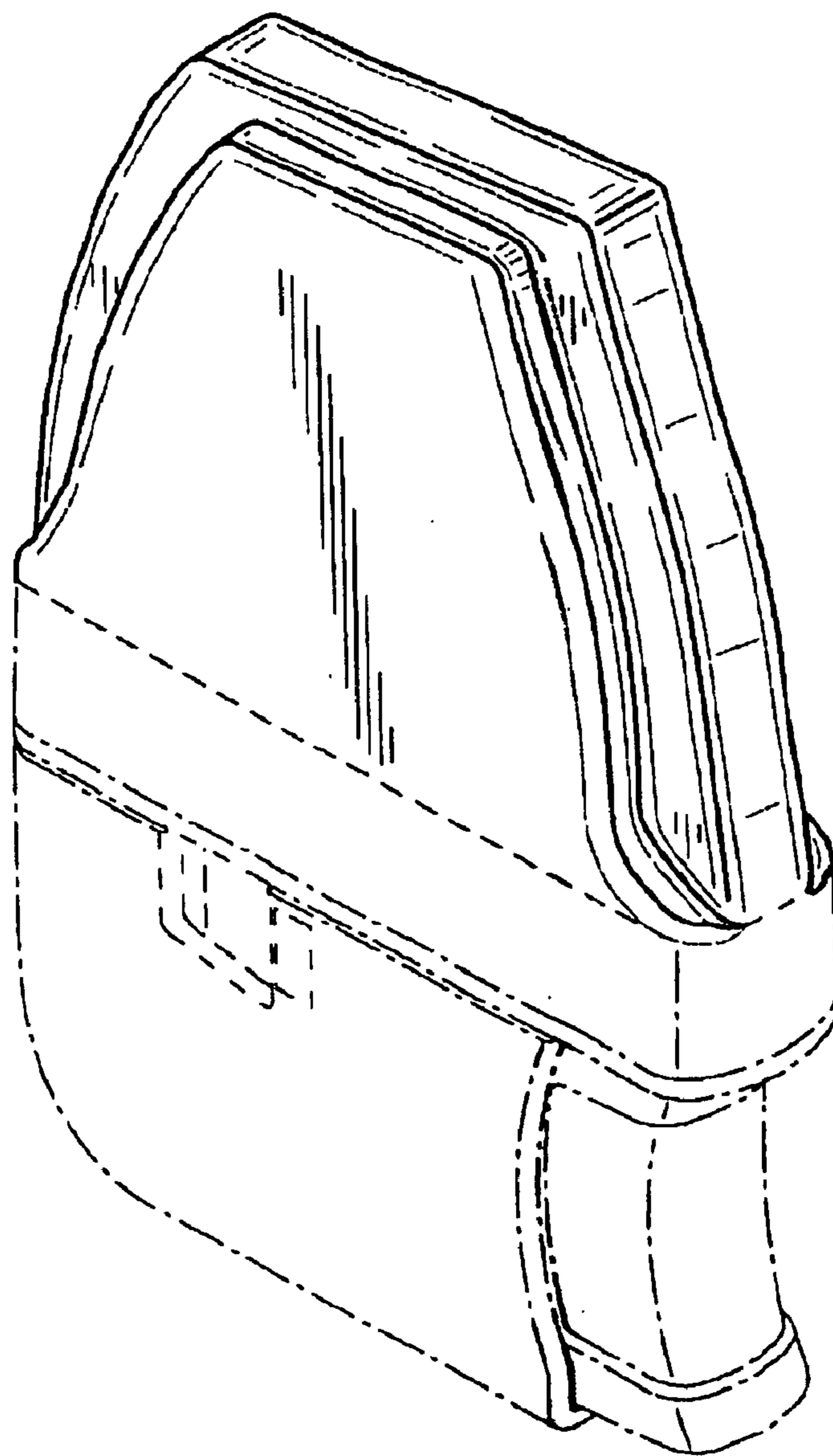


FIG. 2

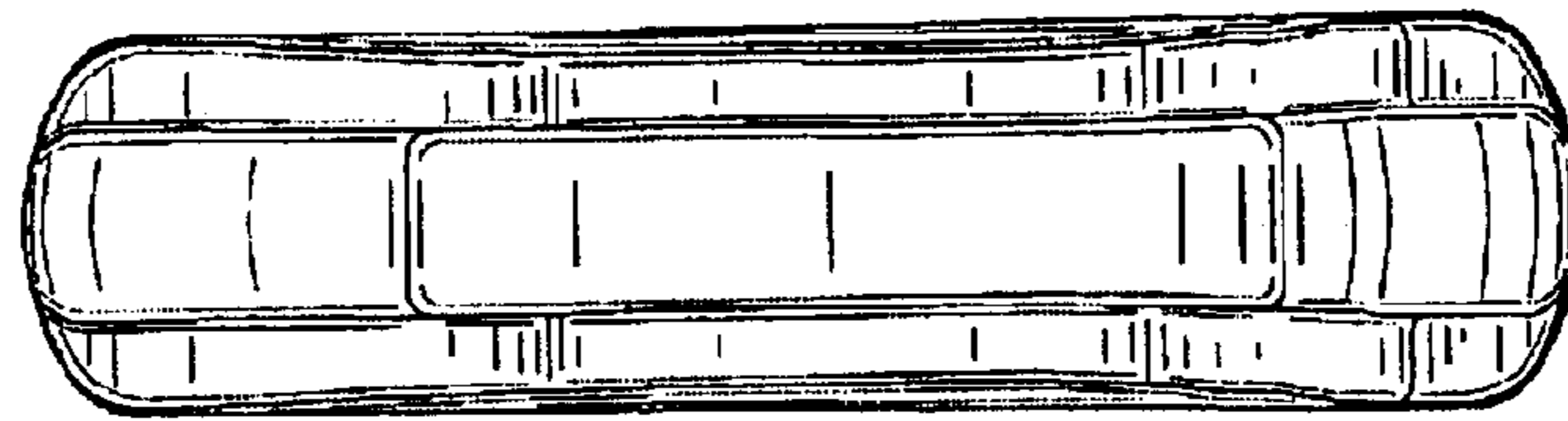


FIG. 3

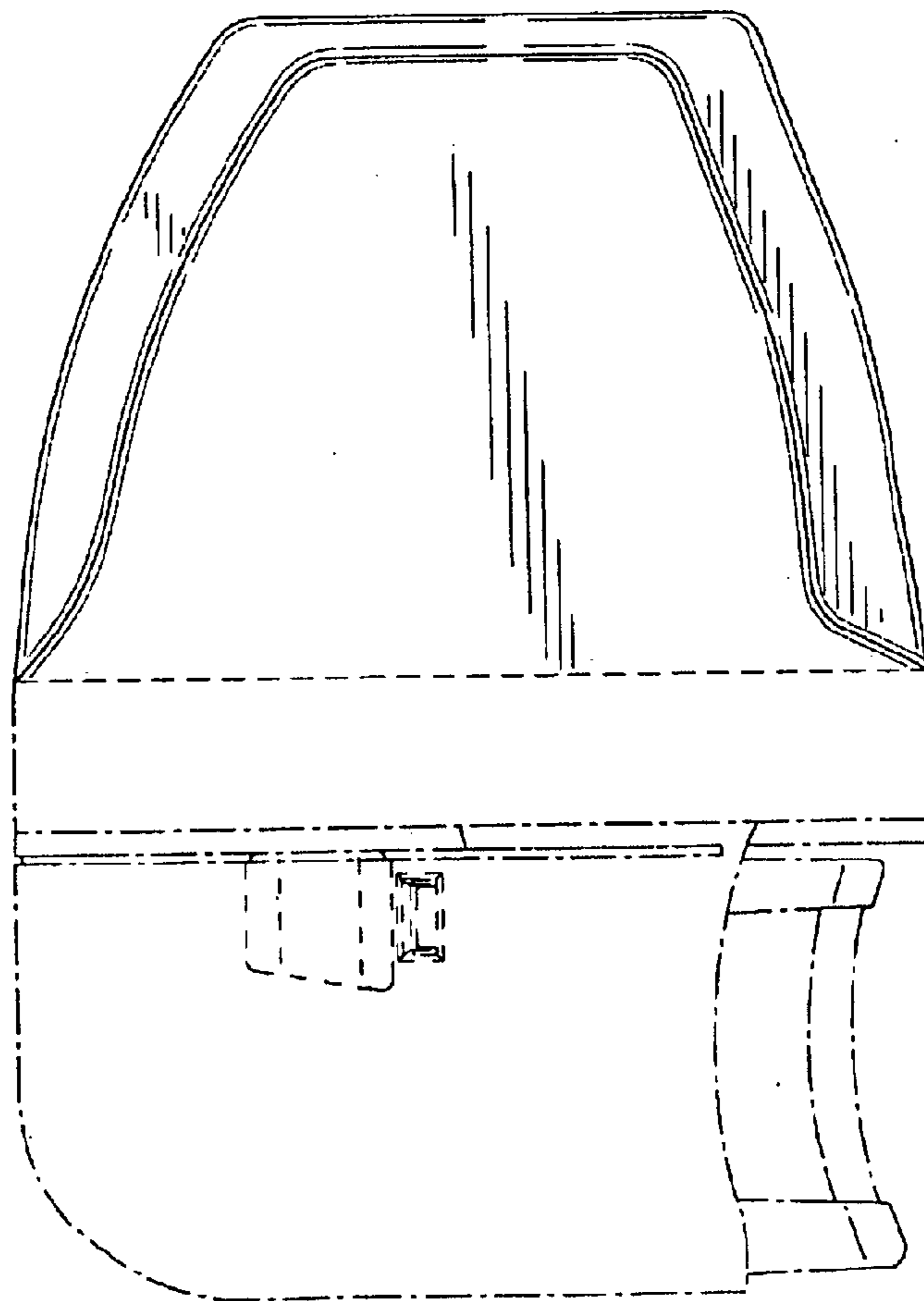


FIG. 4

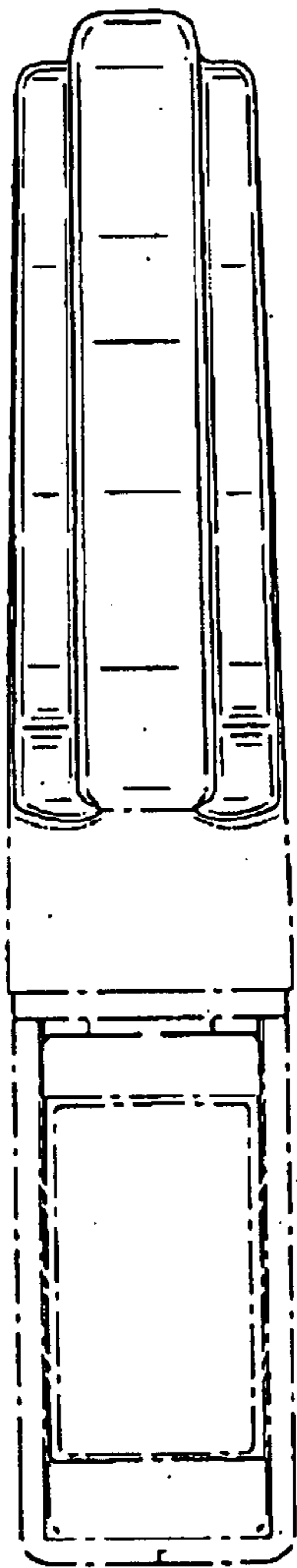


FIG. 5

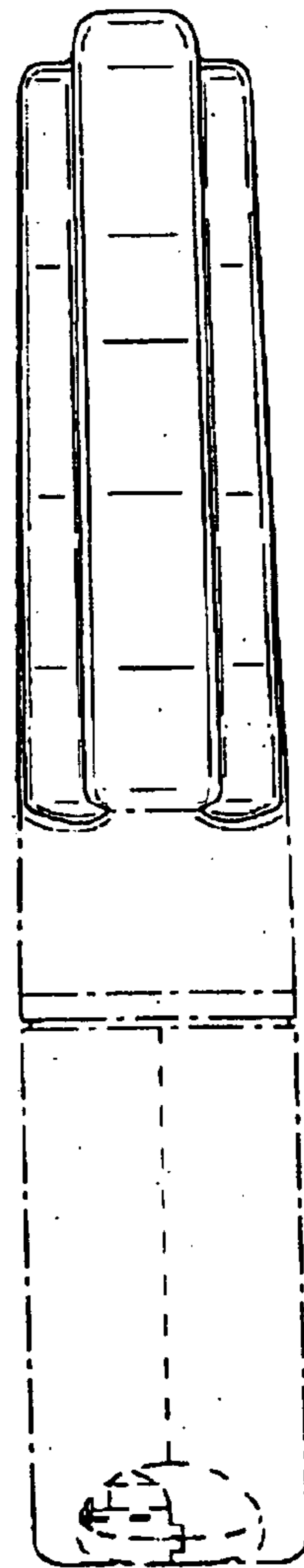


FIG. 6

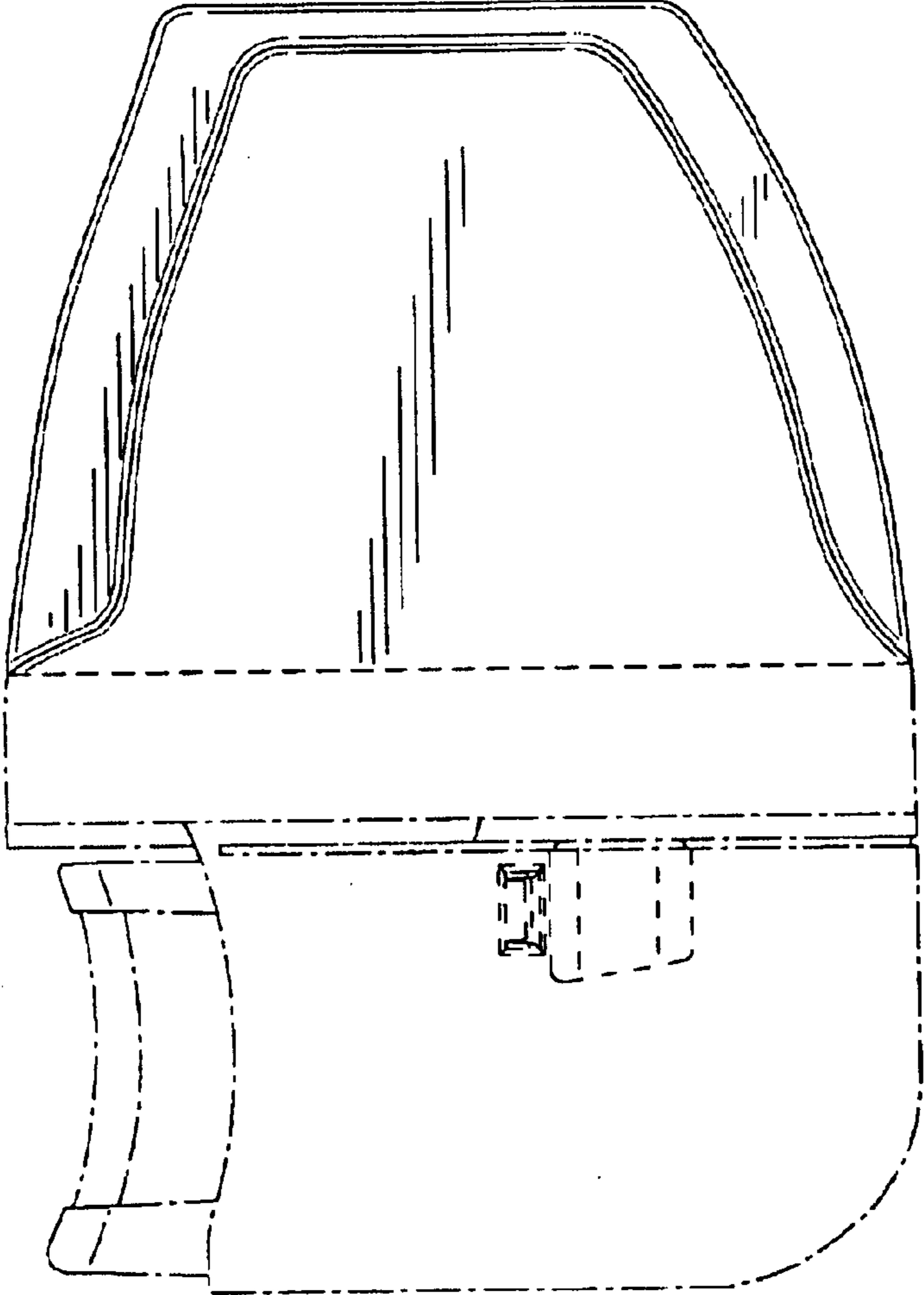


FIG. 7

