

US00D492896S1

(12) **United States Design Patent**  
**Kuhn et al.**

(10) **Patent No.: US D492,896 S**

(45) **Date of Patent: \*\* Jul. 13, 2004**

(54) **CIRCULAR DOUBLE BARBED PLATE WITH FASTENER**

(75) Inventors: **William P. Kuhn**, Boonton, NJ (US);  
**Richard C. Devine**, 6 Grandview St.,  
Southwick, MA (US) 01077

(73) Assignees: **Building Materials Investment Corporation**, Wilmington, DE (US);  
**Richard C. Devine**, Southwick, MA (US)

(\*\*) Term: **14 Years**

(21) Appl. No.: **29/175,319**

(22) Filed: **Feb. 3, 2003**

(51) **LOC (7) Cl. .... 08-08**

(52) **U.S. Cl. .... D8/389**

(58) **Field of Search .... D8/388, 389, 399;**  
411/396, 448, 457-468, 477, 531, 537;  
52/410, 481.2, 489.2, 512, 542

(56) **References Cited**

**U.S. PATENT DOCUMENTS**

2,339,841	A	*	1/1944	Deuchler et al. ....	52/489.2
D263,678	S	*	4/1982	Dewey .....	D8/399
D263,927	S	*	4/1982	Dewey .....	D8/399
D271,662	S	*	12/1983	Jones .....	D8/399
4,574,551	A	*	3/1986	Giannuzzi .....	52/512
4,649,689	A	*	3/1987	Everman et al. ....	52/701
4,780,039	A	*	10/1988	Hartman .....	411/531
4,787,188	A		11/1988	Murphy .....	52/410
4,884,932	A	*	12/1989	Meyer .....	52/410

4,894,970	A	*	1/1990	Lebraut .....	52/410
4,945,699	A	*	8/1990	Murphy .....	52/410
D310,324	S	*	9/1990	Bernacchi et al. ....	D8/399
5,049,018	A		9/1991	Murphy .....	411/488
5,066,181	A	*	11/1991	Bogel .....	411/383
5,163,798	A		11/1992	McGovern .....	411/448
5,445,477	A	*	8/1995	Calandra, Jr. ....	405/259.1
5,546,723	A	*	8/1996	Jones .....	52/698
5,797,232	A	*	8/1998	Larson .....	52/408
5,915,903	A	*	6/1999	Osterle et al. ....	411/531
5,951,225	A	*	9/1999	Osterle et al. ....	411/545
6,250,034	B1	*	6/2001	Hulsey .....	52/410
6,282,857	B1	*	9/2001	Rubenacker .....	52/410
6,367,216	B1	*	4/2002	Maylon .....	52/454

\* cited by examiner

*Primary Examiner*—Clare E Heflin

(74) *Attorney, Agent, or Firm*—Imre Balogh; William J. Davis

(57) **CLAIM**

The ornamental design for the circular double barbed plate with fastener, as shown and described.

**DESCRIPTION**

FIG. 1 is a perspective view of the circular double barbed plate with fastener of the present design;  
FIG. 2 is a side elevational view of the design, all other sides being identical thereto;  
FIG. 3 is a top plan view thereof; and,  
FIG. 4 is a bottom perspective view thereof.  
The broken lines shown on the drawings are for illustrative purposes only and form no part of the claimed design.

**1 Claim, 2 Drawing Sheets**

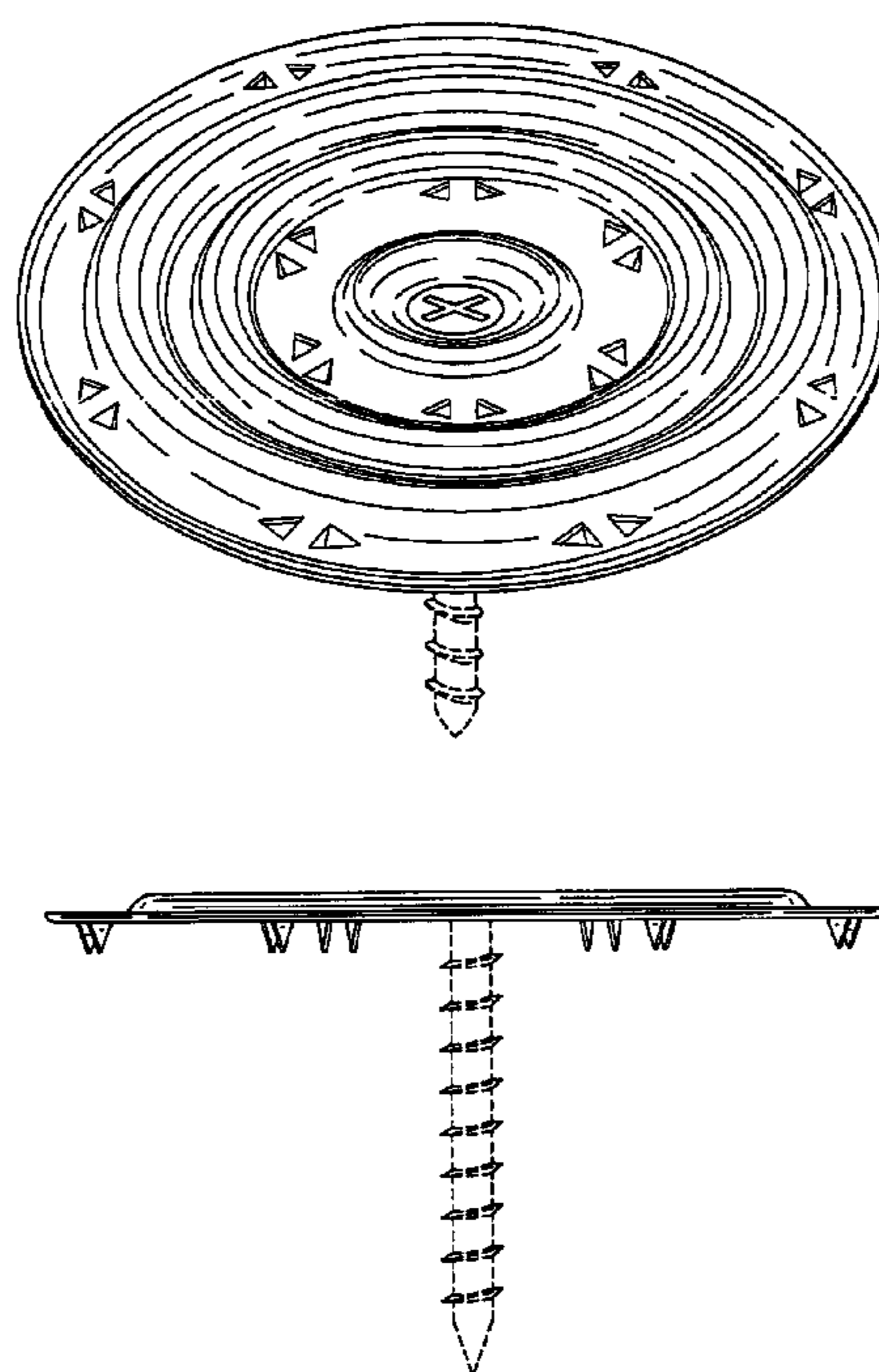


FIG. 1

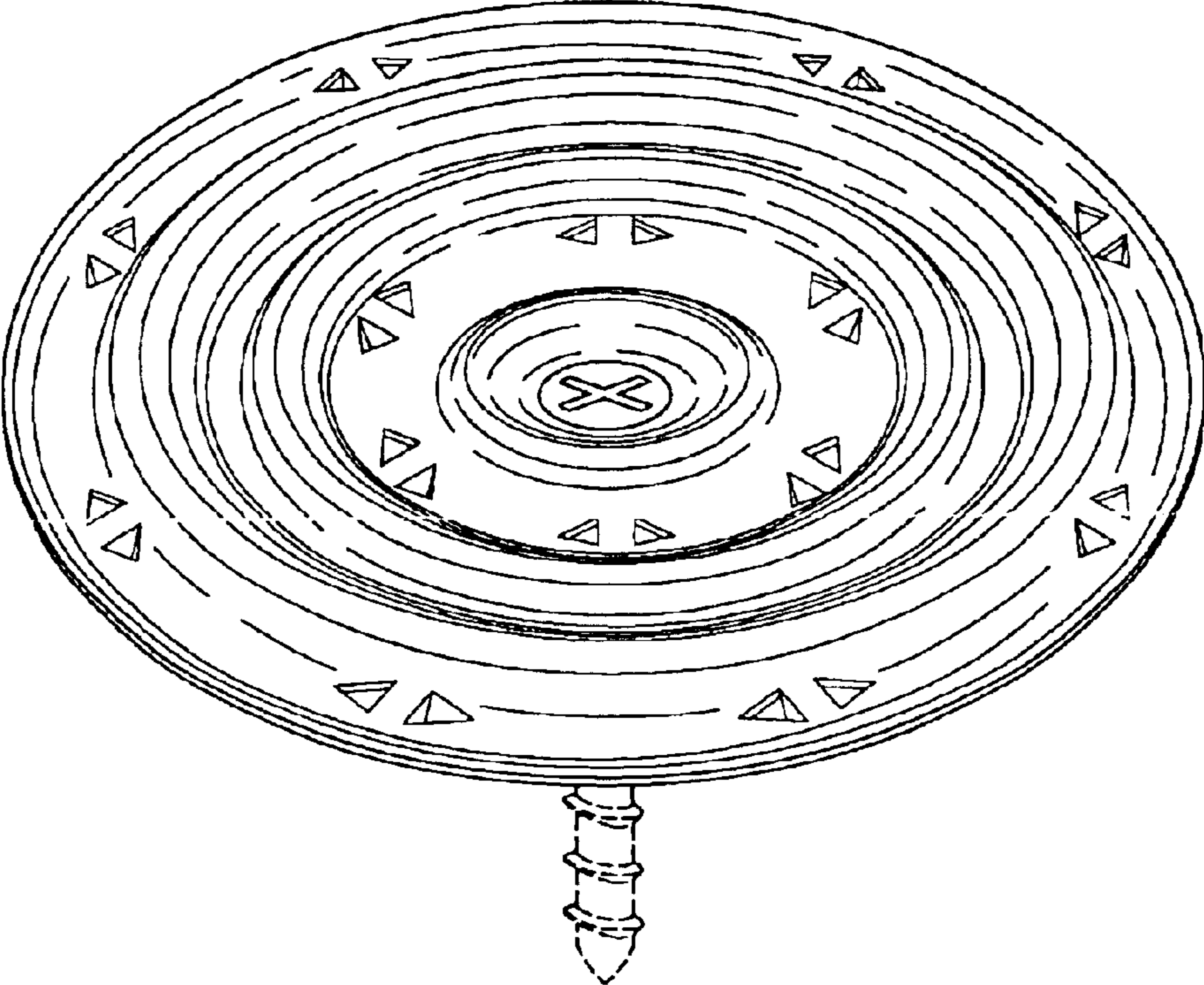


FIG. 2

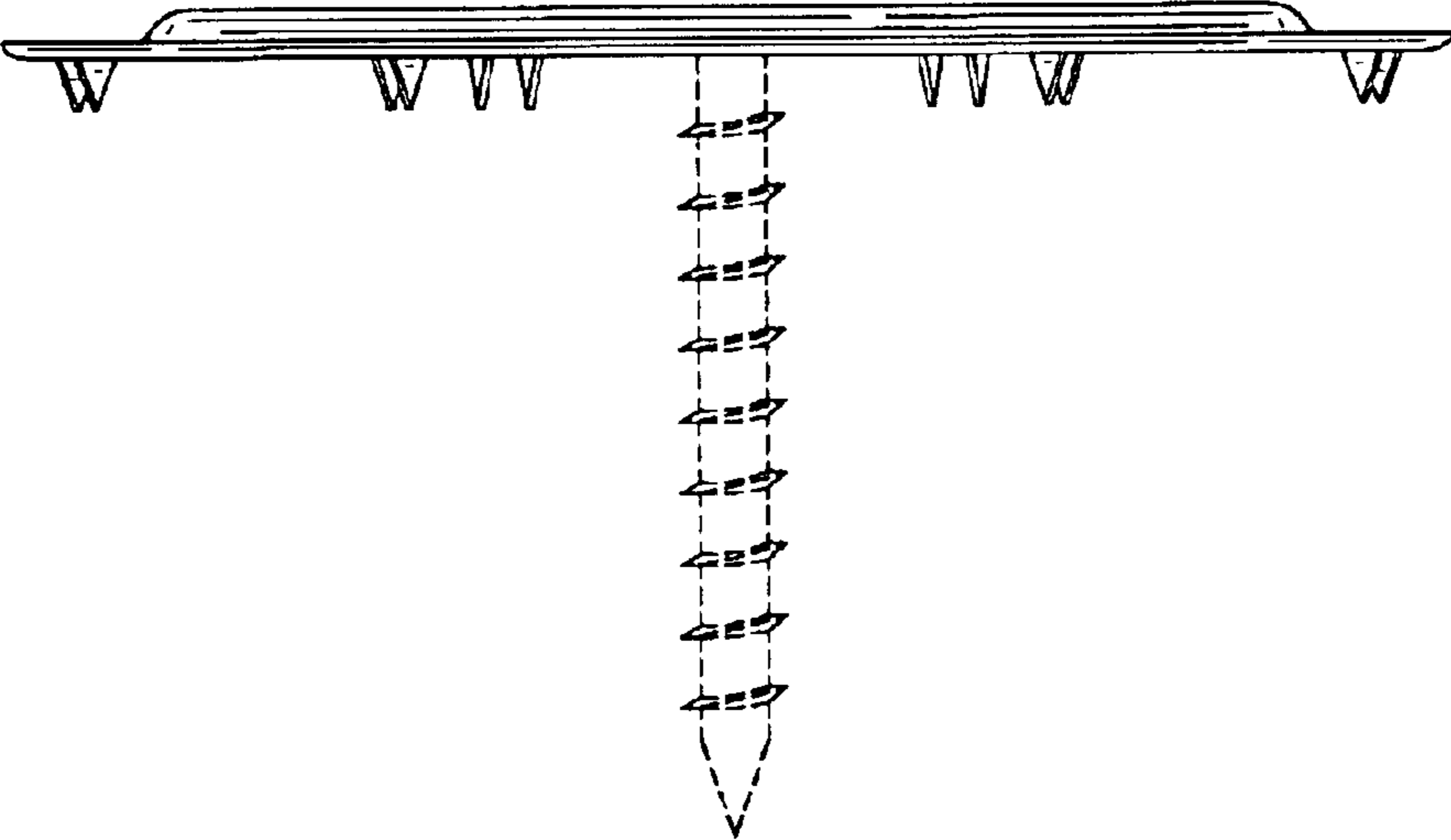


FIG. 3

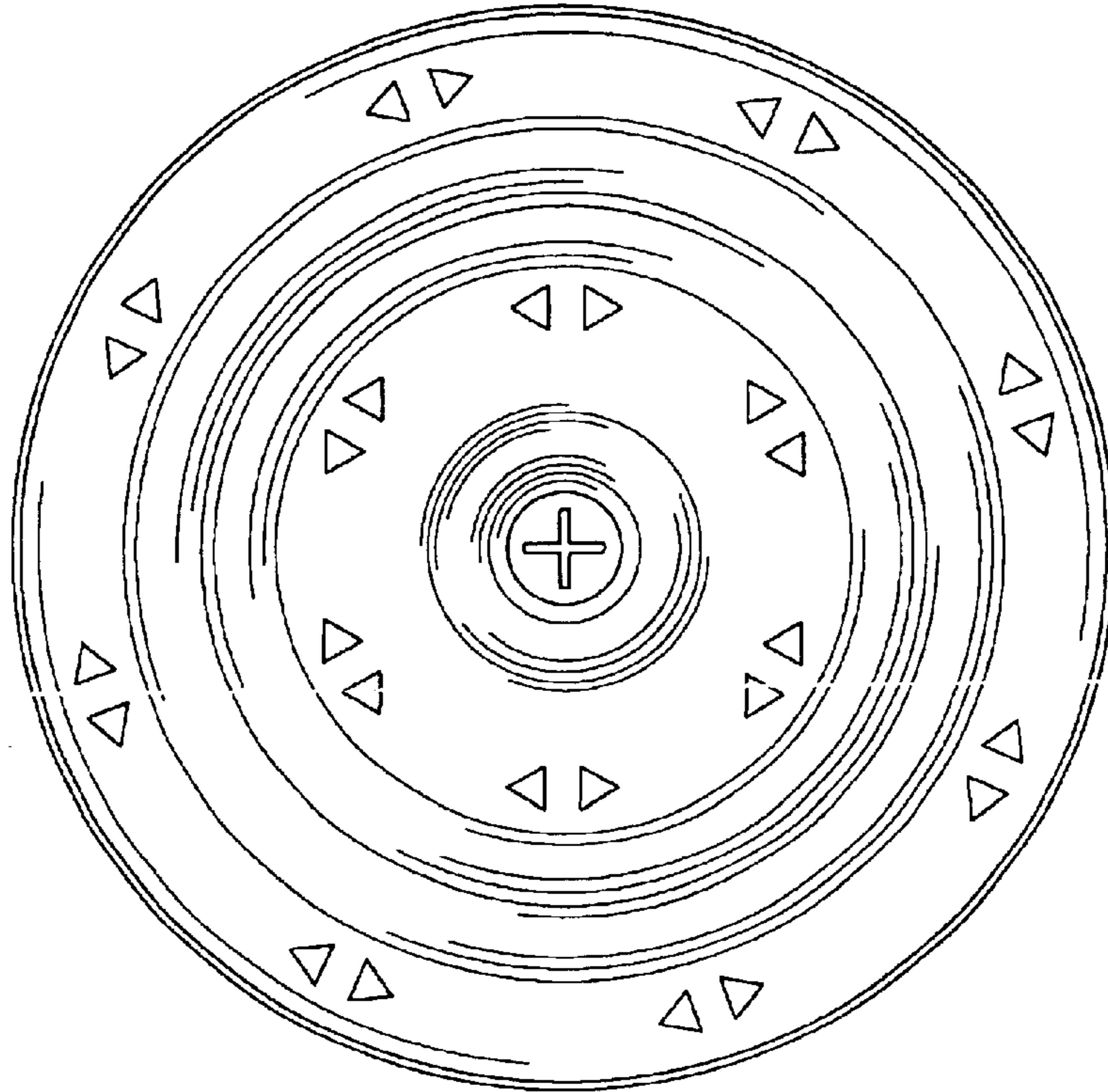


FIG. 4

