

US00D492893S1

(12) **United States Design Patent**
Oddsen, Jr. et al.

(10) **Patent No.: US D492,893 S**
(45) **Date of Patent: ** Jul. 13, 2004**

(54) **DUAL MOUNTING BRACKET**

(57) **CLAIM**

(75) Inventors: **Odd N. Oddsens, Jr.**, Easton, PA (US);
Bradley A. Derry, Allentown, PA (US)

The ornamental design for a dual mounting bracket, as shown and described.

(73) Assignee: **Innovative Office Products, Inc.**,
Easton, PA (US)

DESCRIPTION

(**) Term: **14 Years**

FIG. 1 is a perspective view of a dual mounting bracket showing my new design;
FIG. 2 is a front elevational view;
FIG. 3 is a rear elevational view;
FIG. 4 is a right side elevational view;
FIG. 5 is a left side elevational view;
FIG. 6 is a top plan view;
FIG. 7 is a bottom plan view;
FIG. 8 is a perspective view of a second embodiment of a dual mounting bracket showing my new design;
FIG. 9 is a front elevational view;
FIG. 10 is a rear elevational view;
FIG. 11 is a right side elevational view;
FIG. 12 is a left side elevational view;
FIG. 13 is a top plan view; and,
FIG. 14 is a bottom plan view.

(21) Appl. No.: **29/195,646**

(22) Filed: **Dec. 15, 2003**

(51) **LOC (7) Cl.** **08-05**

(52) **U.S. Cl.** **D8/373; D8/354**

(58) **Field of Search** **D8/373, 354; 248/300**

(56) **References Cited**

U.S. PATENT DOCUMENTS

D373,947 S * 9/1996 Parduhn D8/373
2001/0032747 A1 * 10/2001 DePoy et al. 180/314

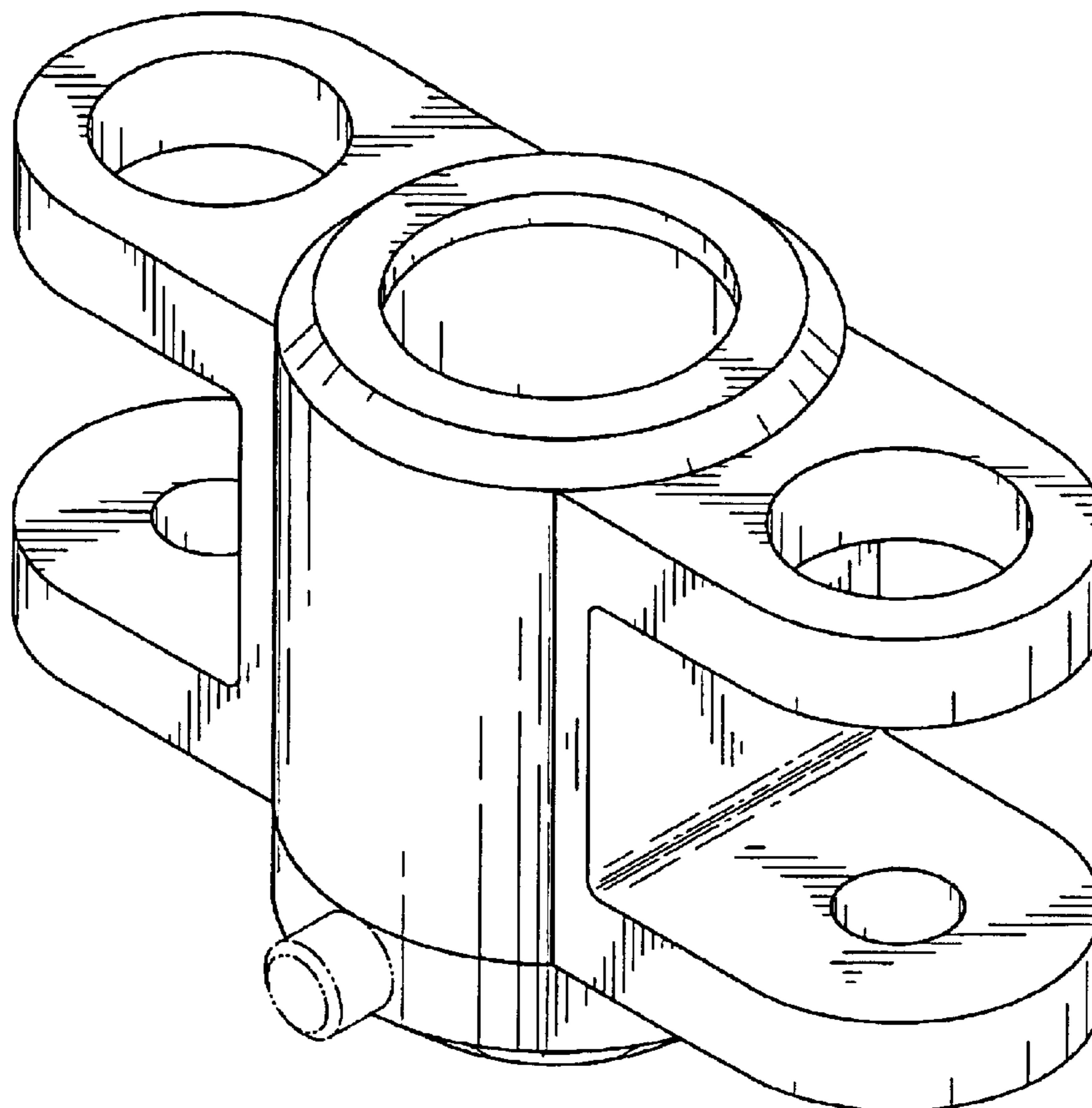
* cited by examiner

Primary Examiner—Holly Baynham

(74) *Attorney, Agent, or Firm*—Lerner, David, Littenberg,
Krumholz & Mentlik, LLP

The broken lines shown in the drawings are for illustration purposes only and form no part of the claimed design.

1 Claim, 6 Drawing Sheets



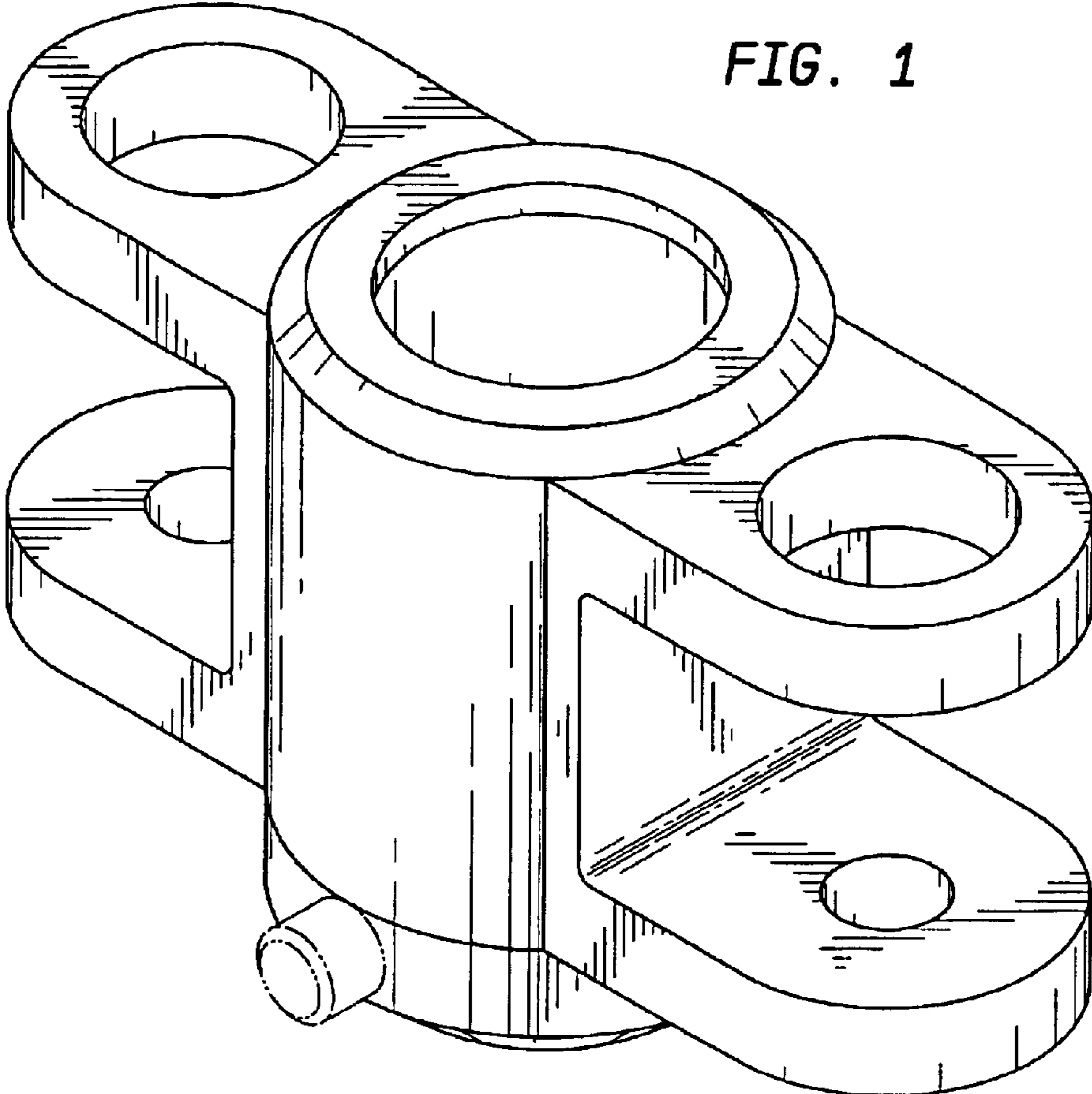


FIG. 1

FIG. 2

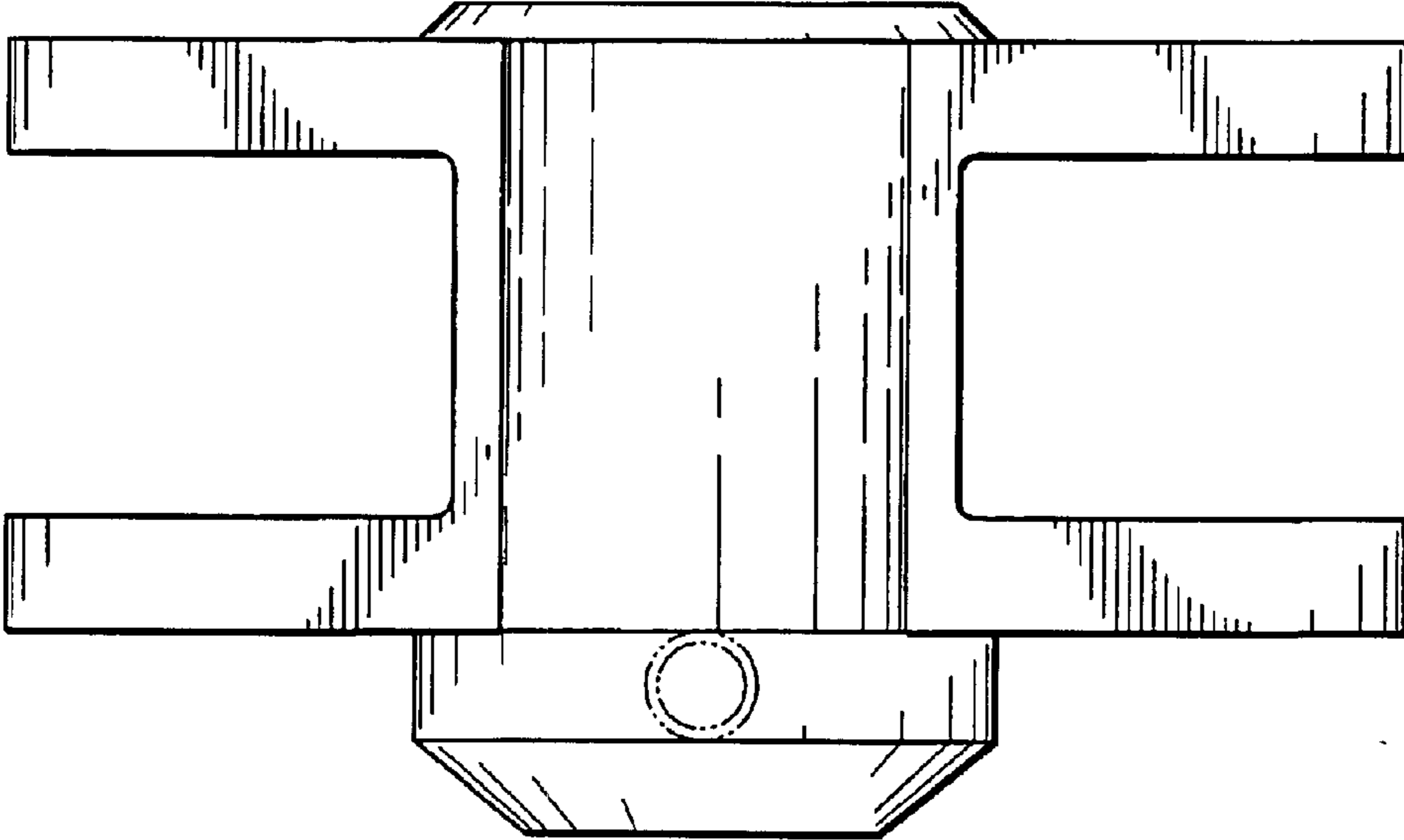


FIG. 3

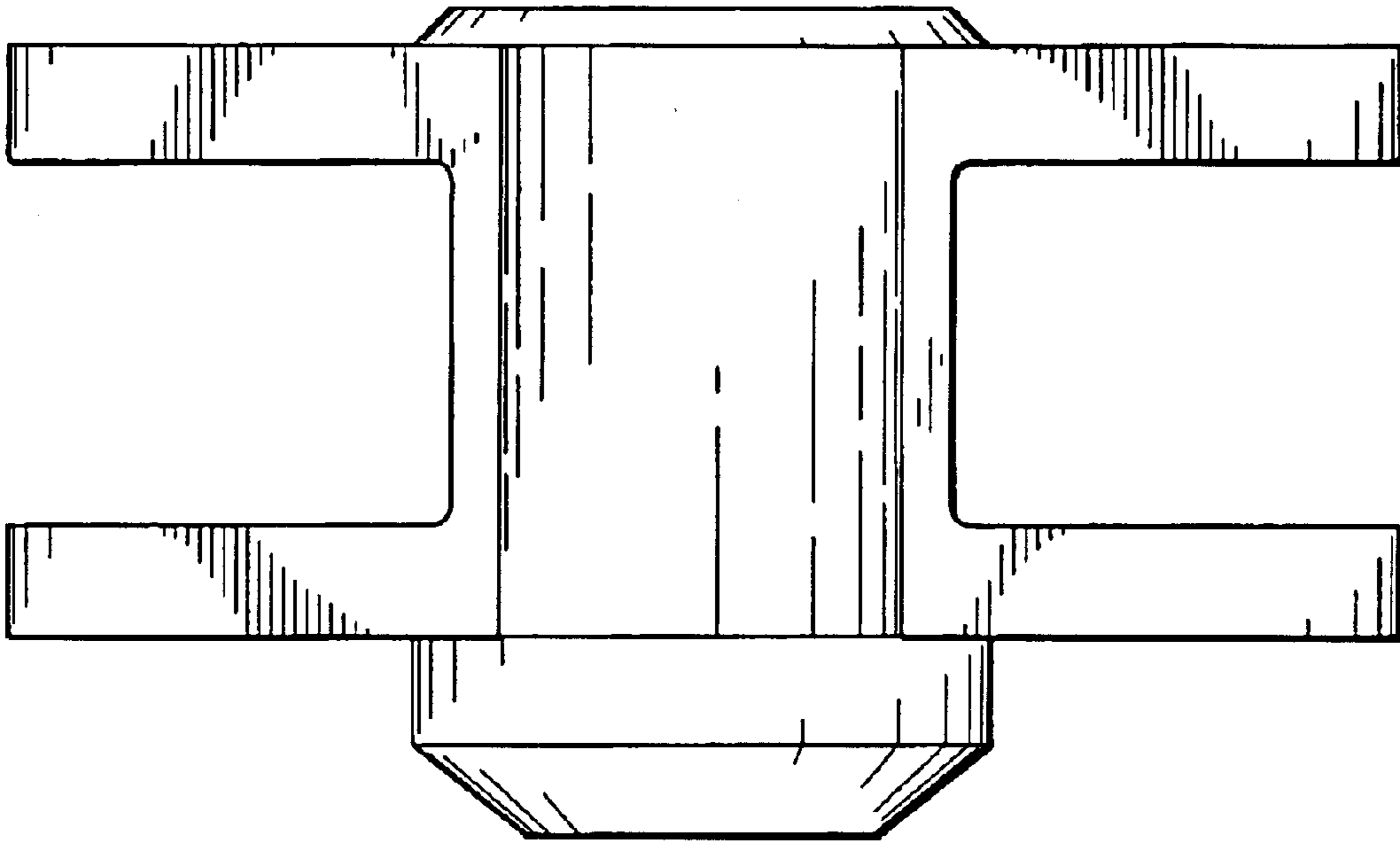


FIG. 4

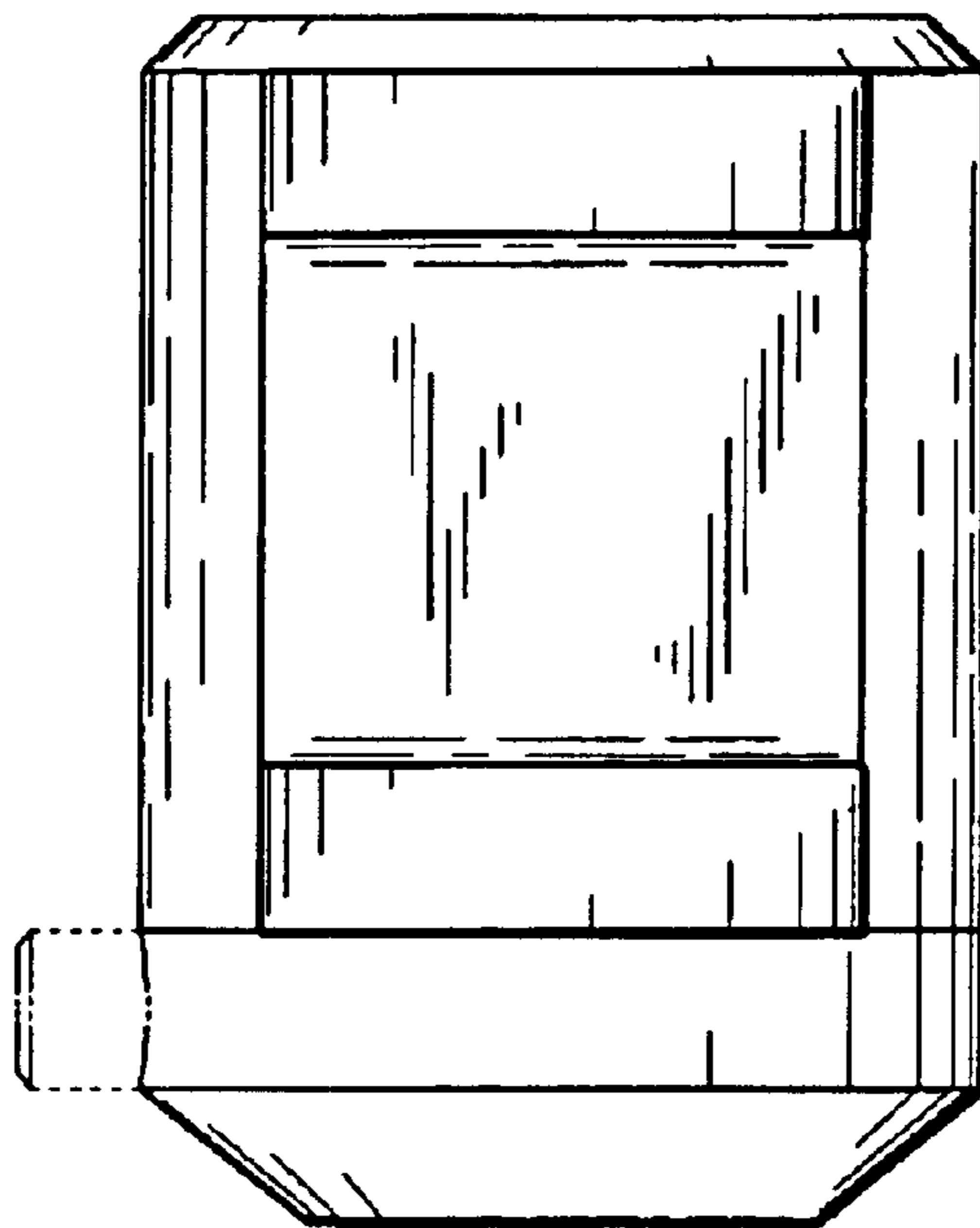


FIG. 5

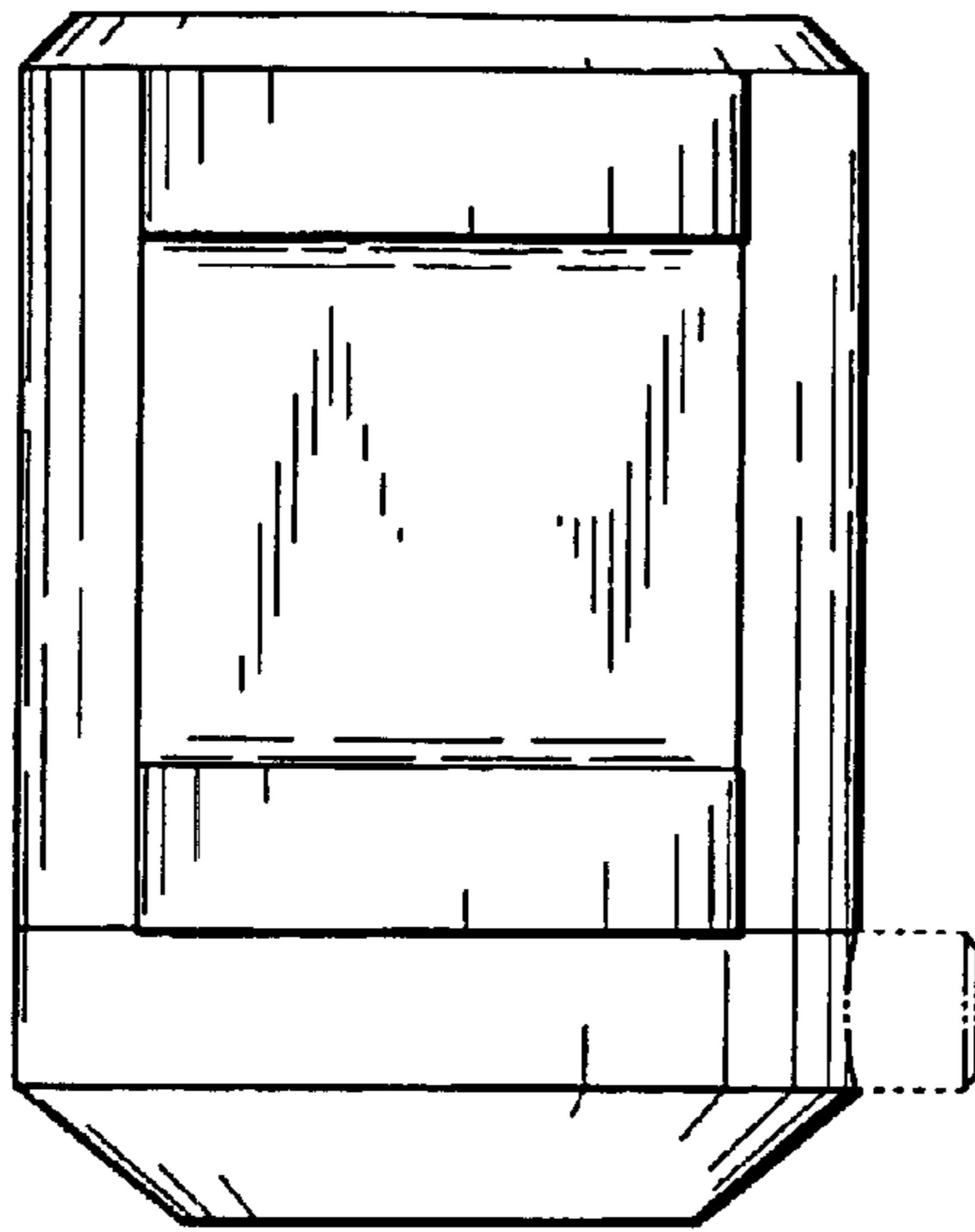


FIG. 6

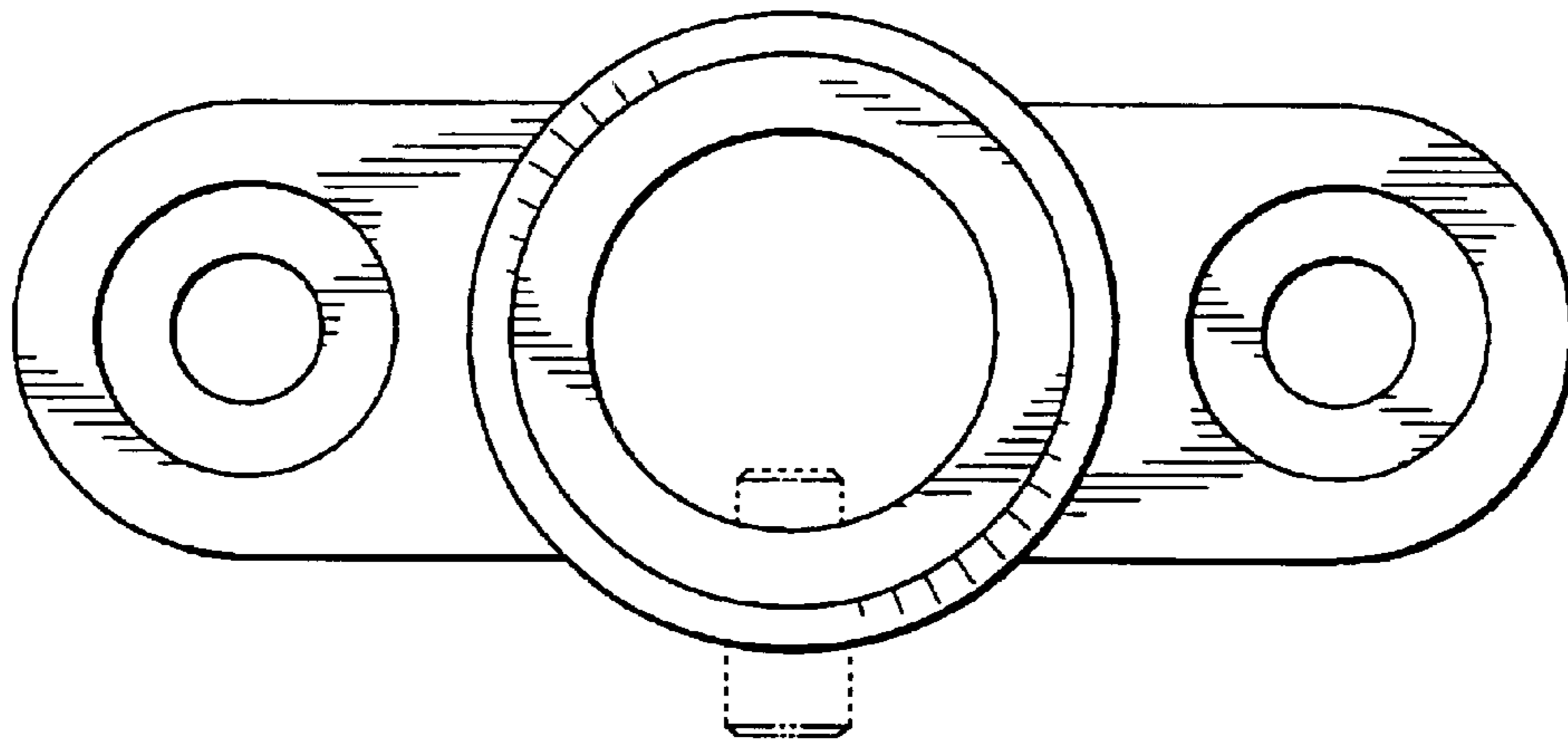


FIG. 7

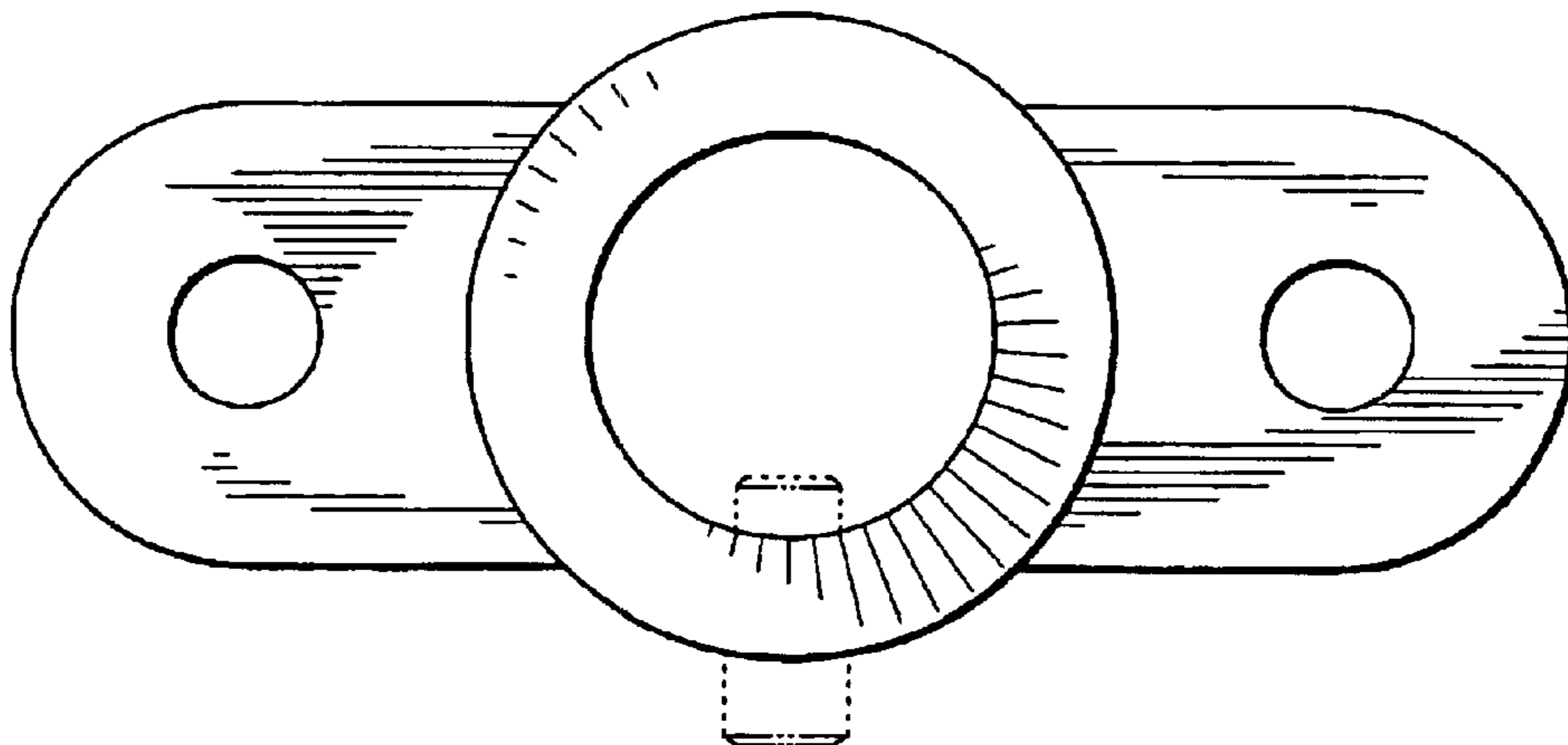


FIG. 8

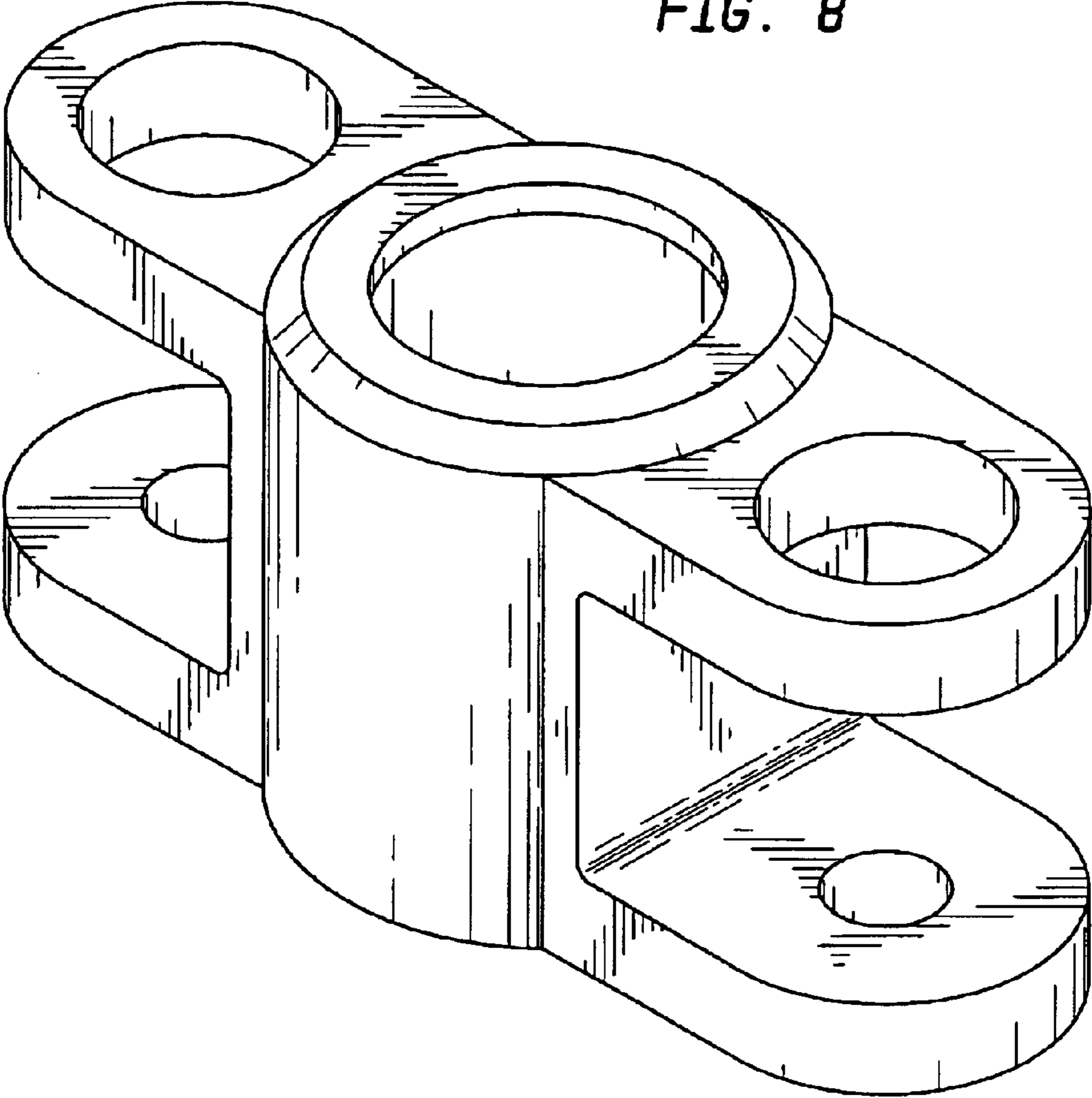


FIG. 9

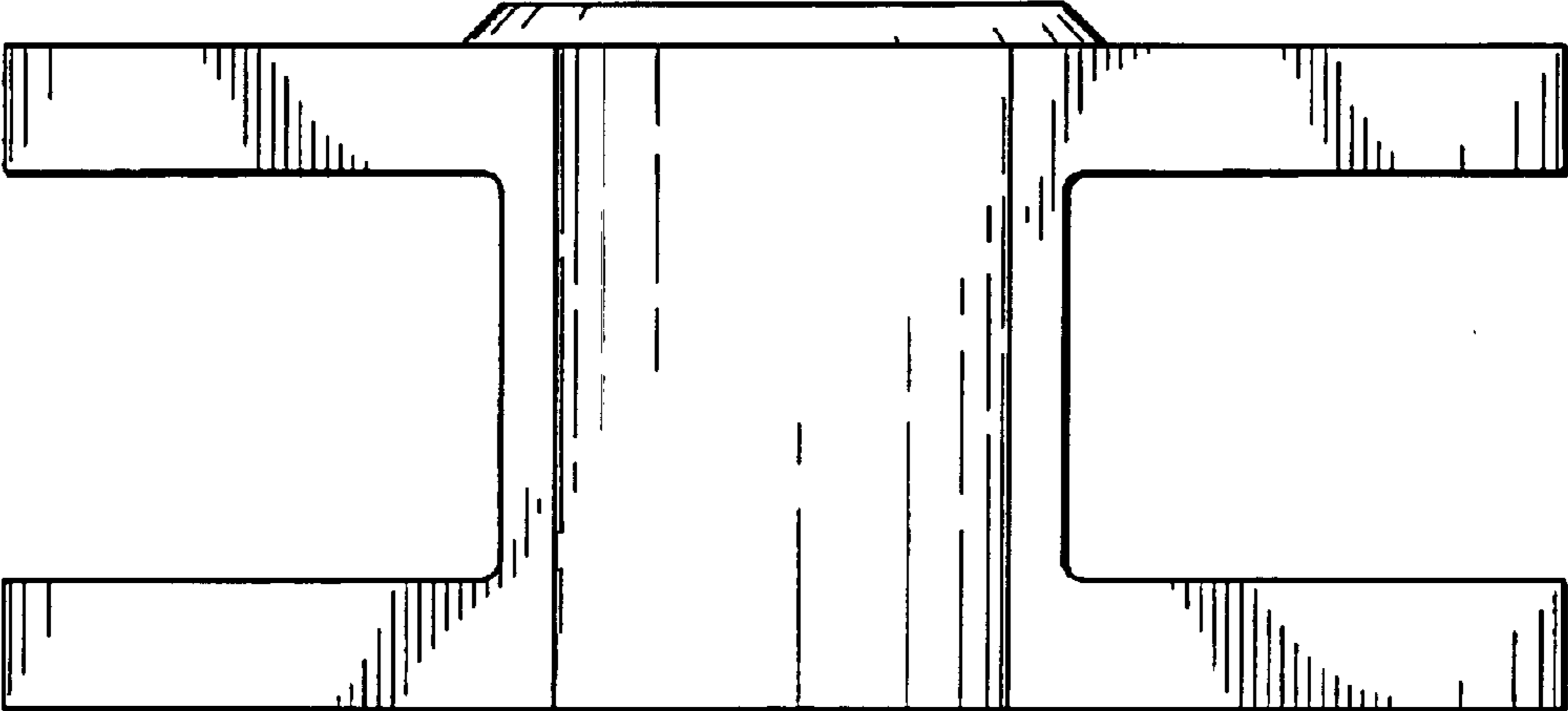


FIG. 10

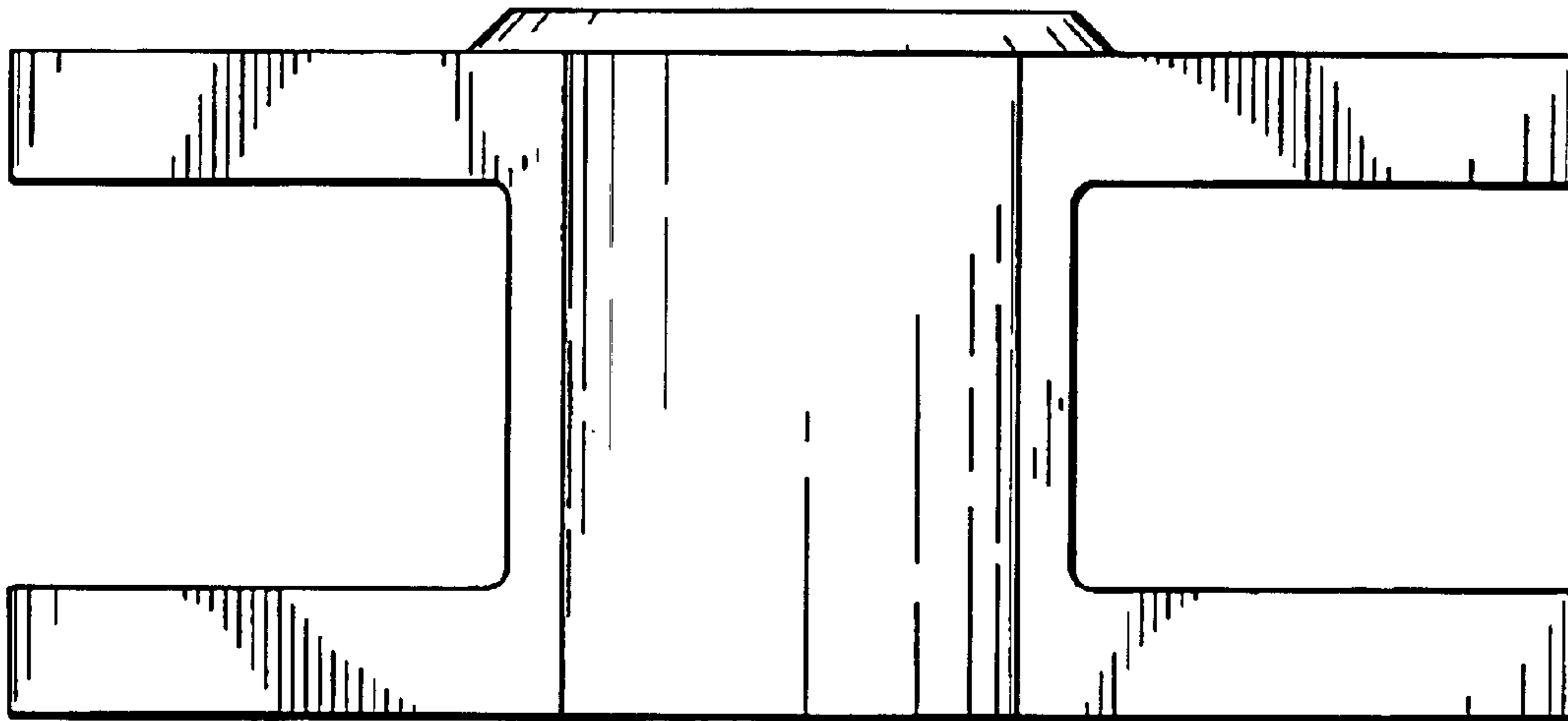


FIG. 11

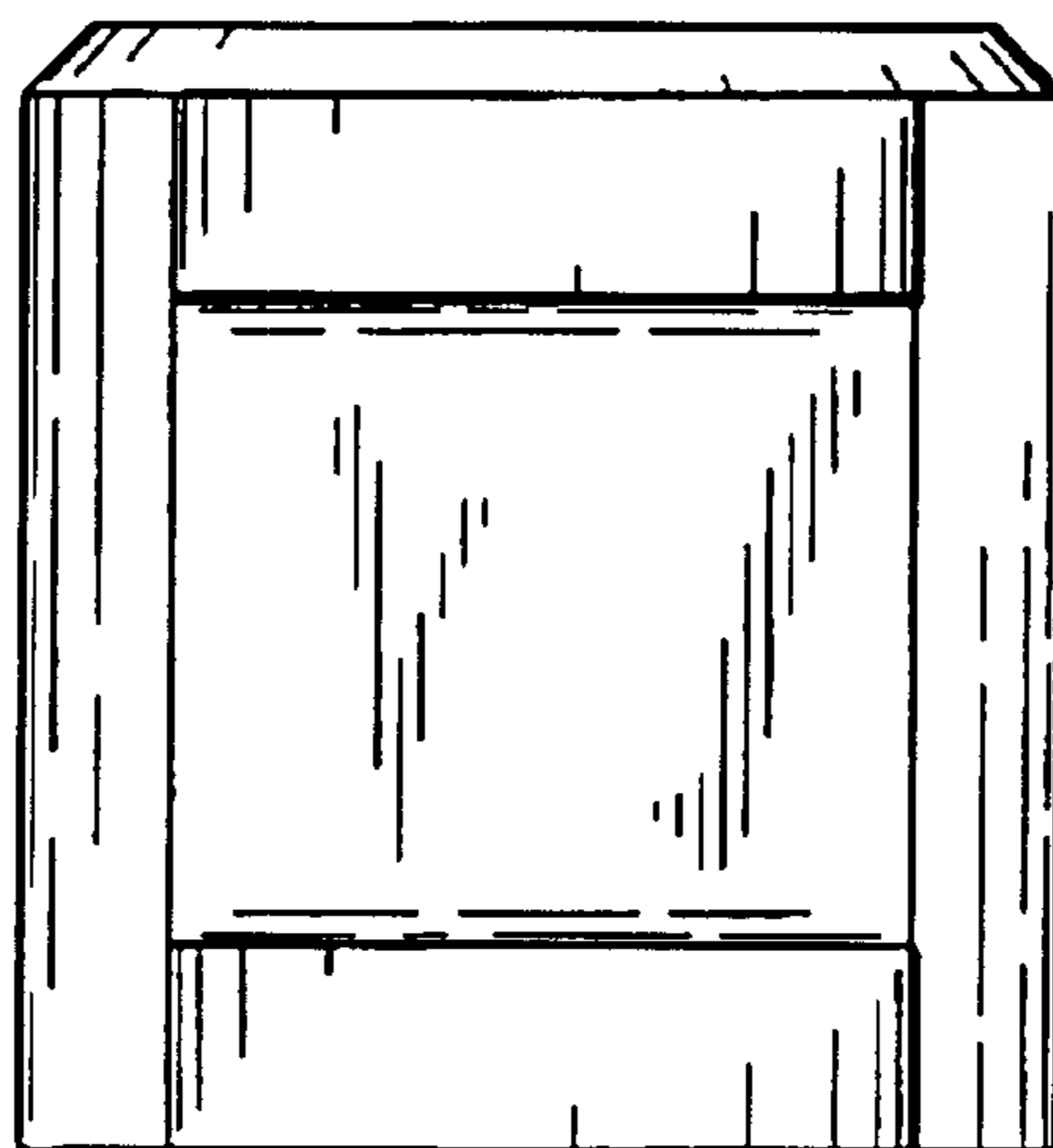


FIG. 12



FIG. 13

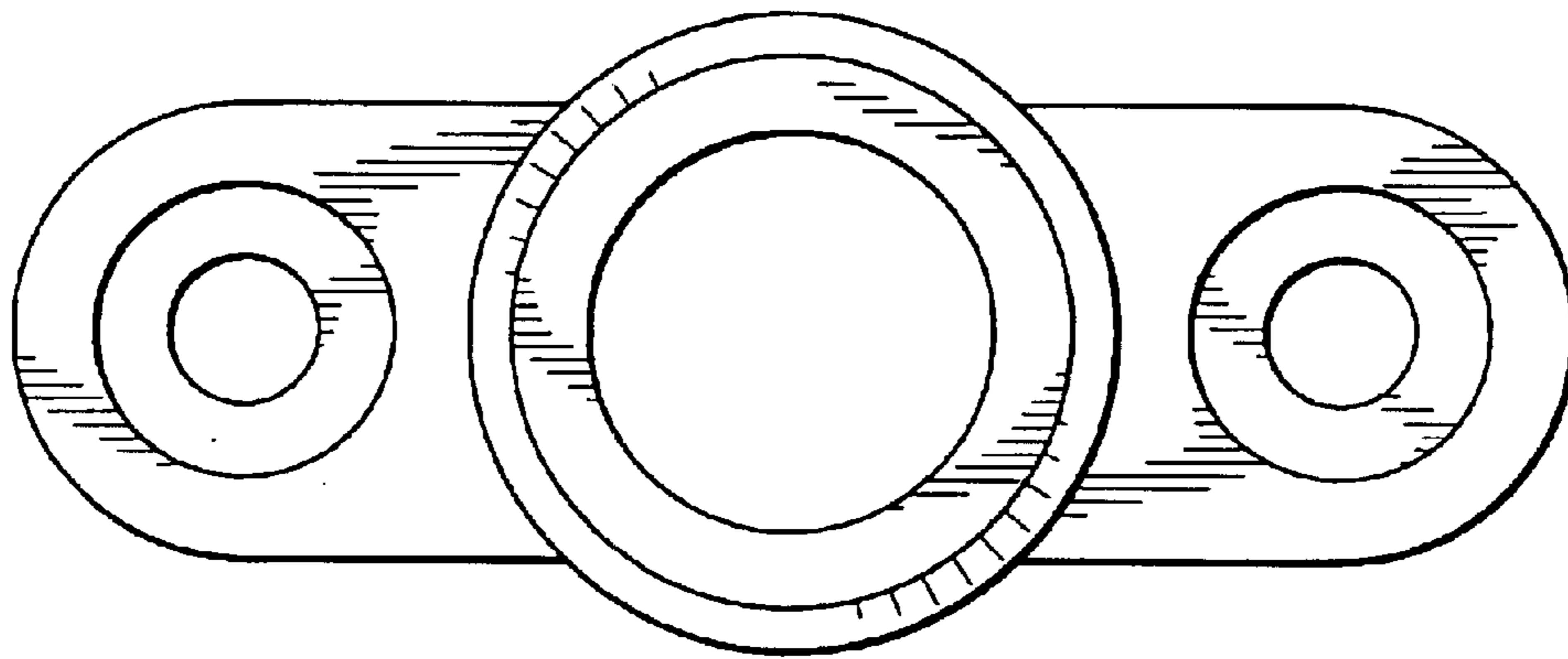


FIG. 14

