

US00D492892S1

(12) **United States Design Patent**  
**Volkman**

(10) **Patent No.:** **US D492,892 S**  
(45) **Date of Patent:** **\*\* Jul. 13, 2004**

(54) **HANGING SCAFFOLD SUPPORT**

(76) Inventor: **John Michael Volkman**, 1170 N.  
Lincoln, Suite 101, Dixon, CA (US)  
95620

(\*\*) Term: **14 Years**

(21) Appl. No.: **29/185,321**

(22) Filed: **Jun. 24, 2003**

**Related U.S. Application Data**

(63) Continuation-in-part of application No. 09/991,032, filed on  
Nov. 21, 2001, now Pat. No. 6,666,298.

(51) **LOC (7) Cl.** ..... **08-05**

(52) **U.S. Cl.** ..... **D8/373**

(58) **Field of Search** ..... D8/349, 354, 373,  
D8/380; 248/200, 300; 182/82

(56) **References Cited**

**U.S. PATENT DOCUMENTS**

D339,735 S \* 9/1993 Brennan ..... D8/354

D349,639 S \* 8/1994 Kimbrell ..... D8/349  
6,003,631 A \* 12/1999 Knauth ..... 182/82  
6,053,280 A \* 4/2000 Smith et al. .... 182/82

\* cited by examiner

*Primary Examiner*—Holly Baynham

(57) **CLAIM**

The ornamental design for a hanging scaffold support, as  
shown and described.

**DESCRIPTION**

FIG. 1 is a perspective view of a hanging scaffold support  
showing my new design; and,

FIG. 2 is a second perspective view thereof.

The broken line showing of additional elements of the  
hanging scaffold support is for illustrative purposes only and  
forms no part of the claimed design.

**1 Claim, 2 Drawing Sheets**

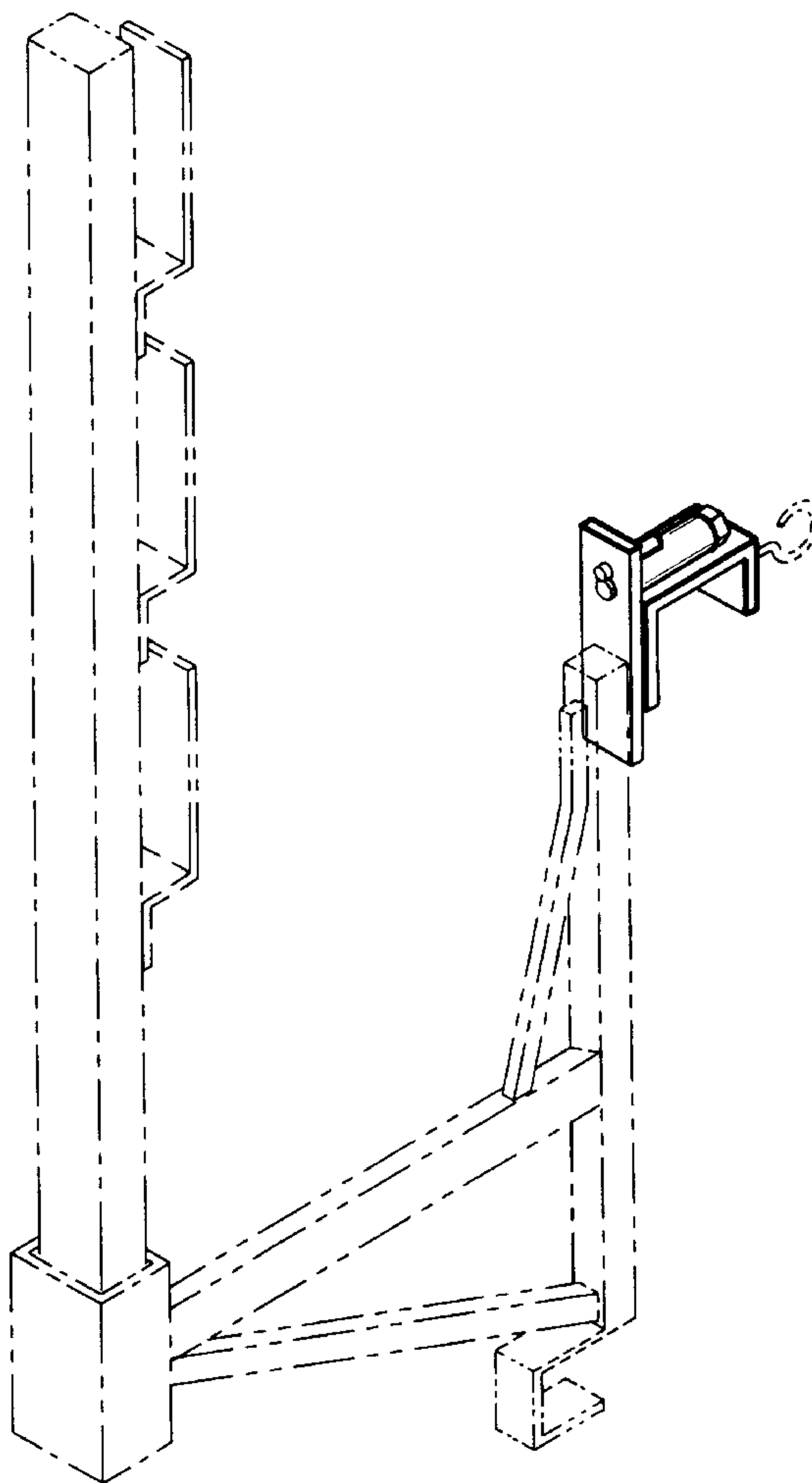


FIG. 1

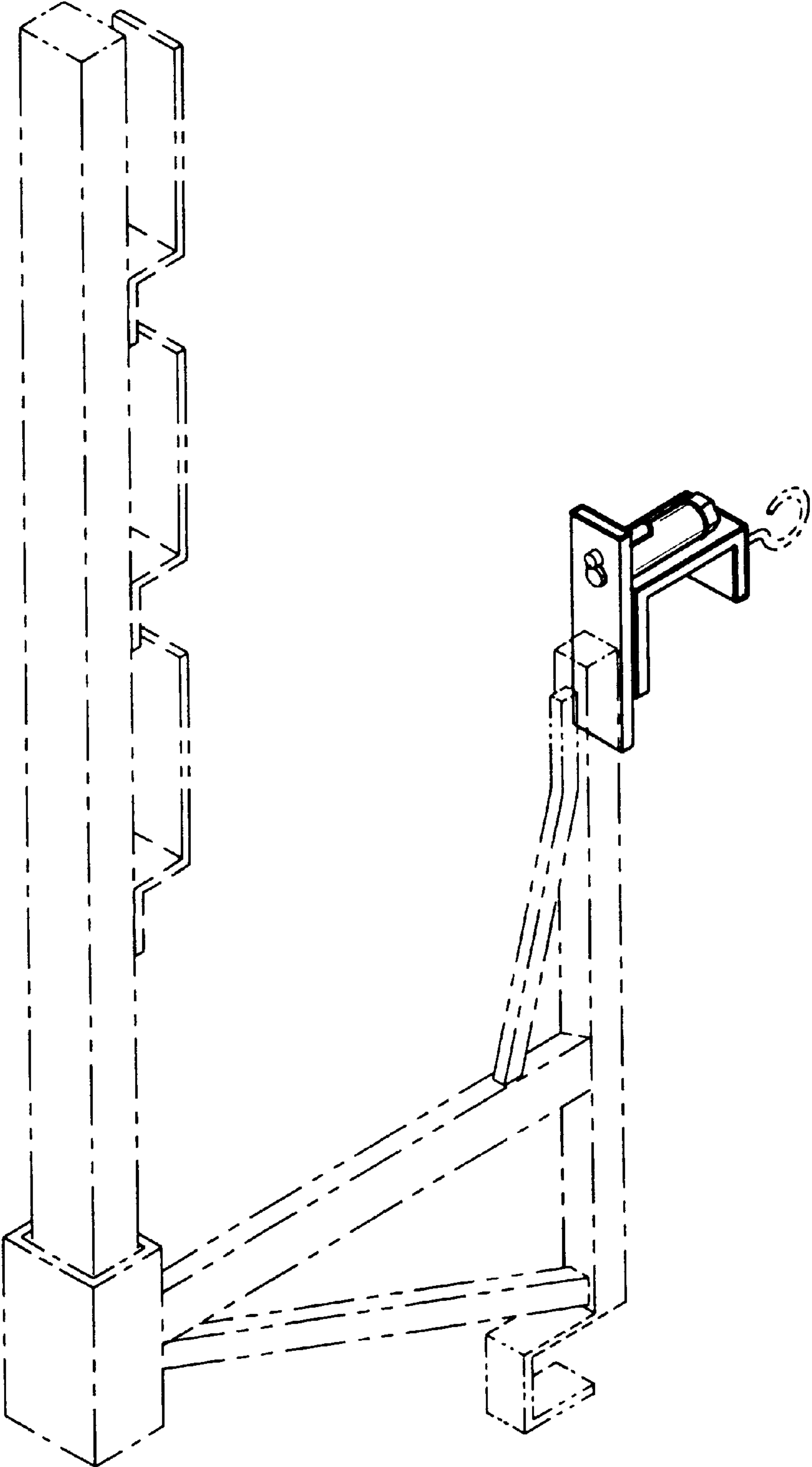


FIG. 2

