



US00D492889S1

(12) **United States Design Patent**
Craine

(10) **Patent No.:** **US D492,889 S**

(45) **Date of Patent:** **** Jul. 13, 2004**

(54) **ROOF TO WALL BRACKET**

(76) **Inventor:** **Keith E. Craine**, 1131 N. Third St.,
Coeur'd Alene, ID (US) 83814

(**) **Term:** **14 Years**

(21) **Appl. No.:** **29/191,848**

(22) **Filed:** **Oct. 14, 2003**

(51) **LOC (7) Cl.** **08-05**

(52) **U.S. Cl.** **D8/354**

(58) **Field of Search** D8/349, 354, 366,
D8/373, 380, 382; D25/61, 67, 68; 52/295,
296, 370, 712, 714, 715; 248/200, 300;
403/232.1, 234, 237

(56) **References Cited**

U.S. PATENT DOCUMENTS

1,441,559	A	*	1/1923	Burhen	403/205
1,704,883	A	*	3/1929	Cullinan	296/9
1,848,085	A	*	3/1932	Eisenschmidt	403/187
2,686,848	A	*	8/1954	Wicknick	379/450
3,216,160	A	*	11/1965	Best	52/189
3,256,030	A	*	6/1966	Banse	403/400

D250,391	S	*	11/1978	France	D8/380
D256,663	S	*	9/1980	Gilb	D8/354
D364,794	S	*	12/1995	Eberschlag	D8/354
D474,958	S	*	5/2003	Perdue	D8/349
2002/0112439	A1	*	8/2002	Rosas	52/712

* cited by examiner

Primary Examiner—James Gandy

Assistant Examiner—Elizabeth Albert

(74) *Attorney, Agent, or Firm*—Dean A. Craine

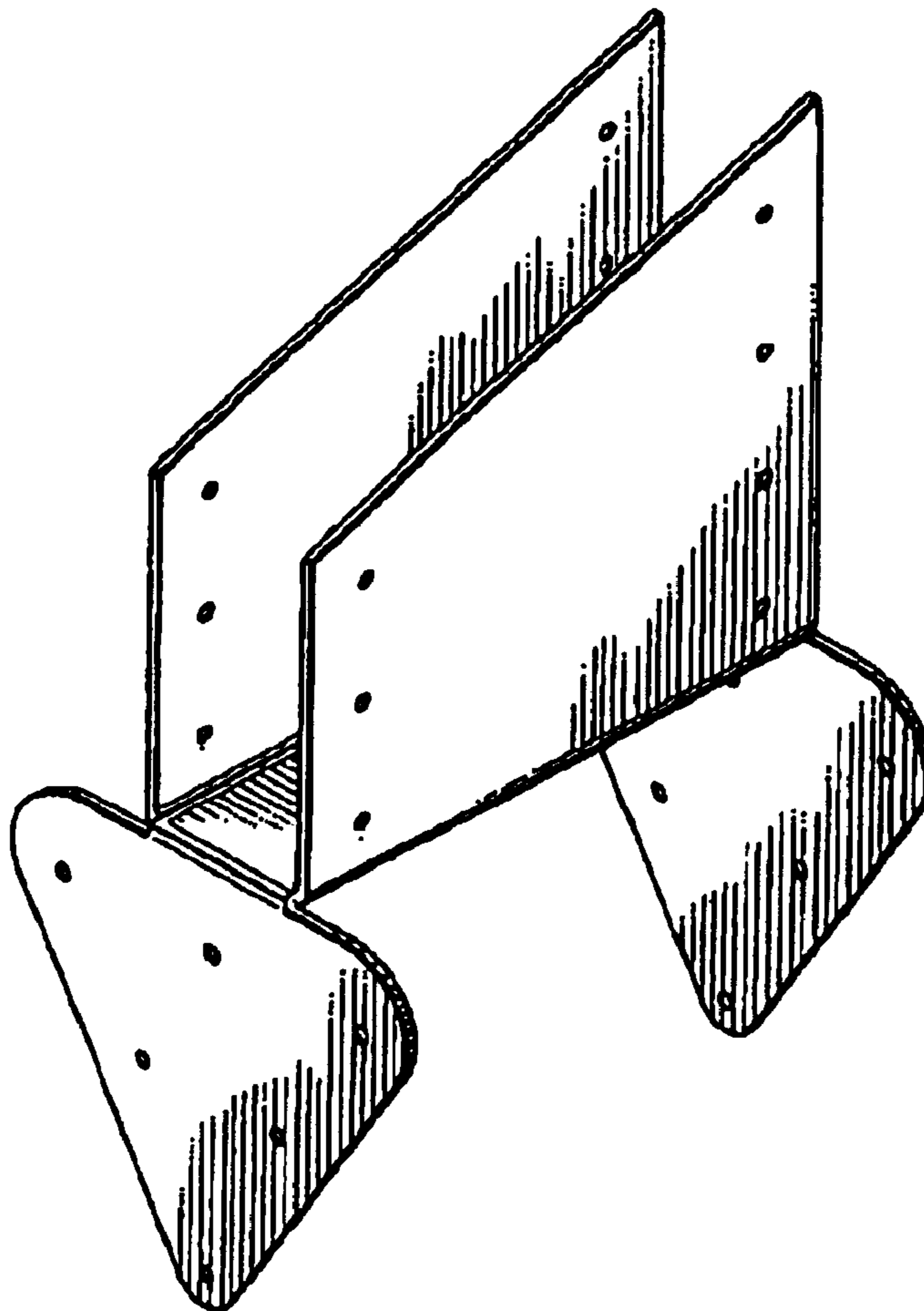
(57) **CLAIM**

The ornamental design for a roof to wall bracket, as shown and described.

DESCRIPTION

FIG. 1 is a perspective view of the roof to wall bracket.
FIG. 2 is a left side elevation view of the invention.
FIG. 3 is a right side elevation view of the invention.
FIG. 4 is a front elevation view of the invention.
FIG. 5 is a rear elevation view of the invention.
FIG. 6 is a top plan view of the invention; and,
FIG. 7 is a bottom plan view of the invention.

1 Claim, 2 Drawing Sheets



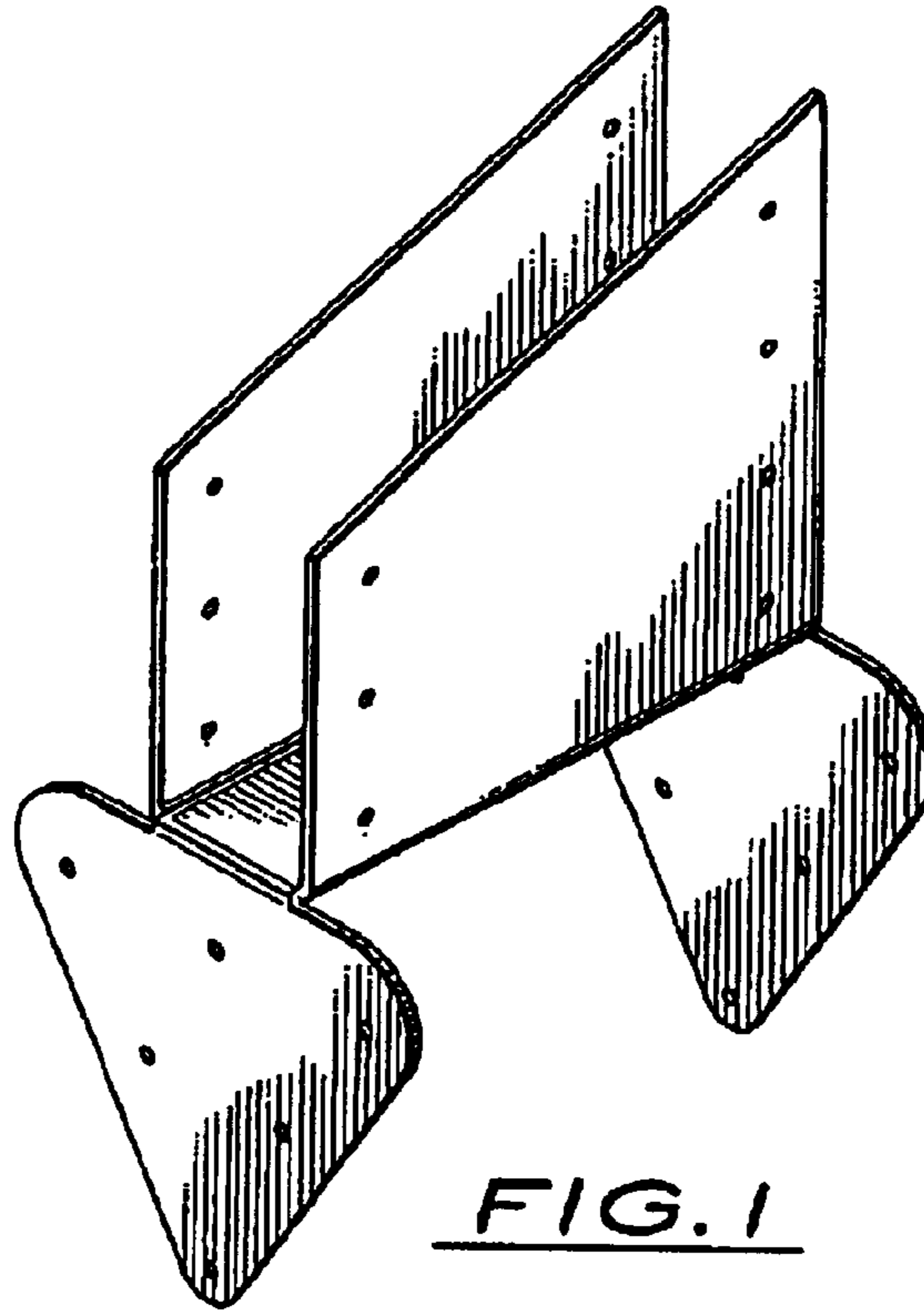


FIG. 1

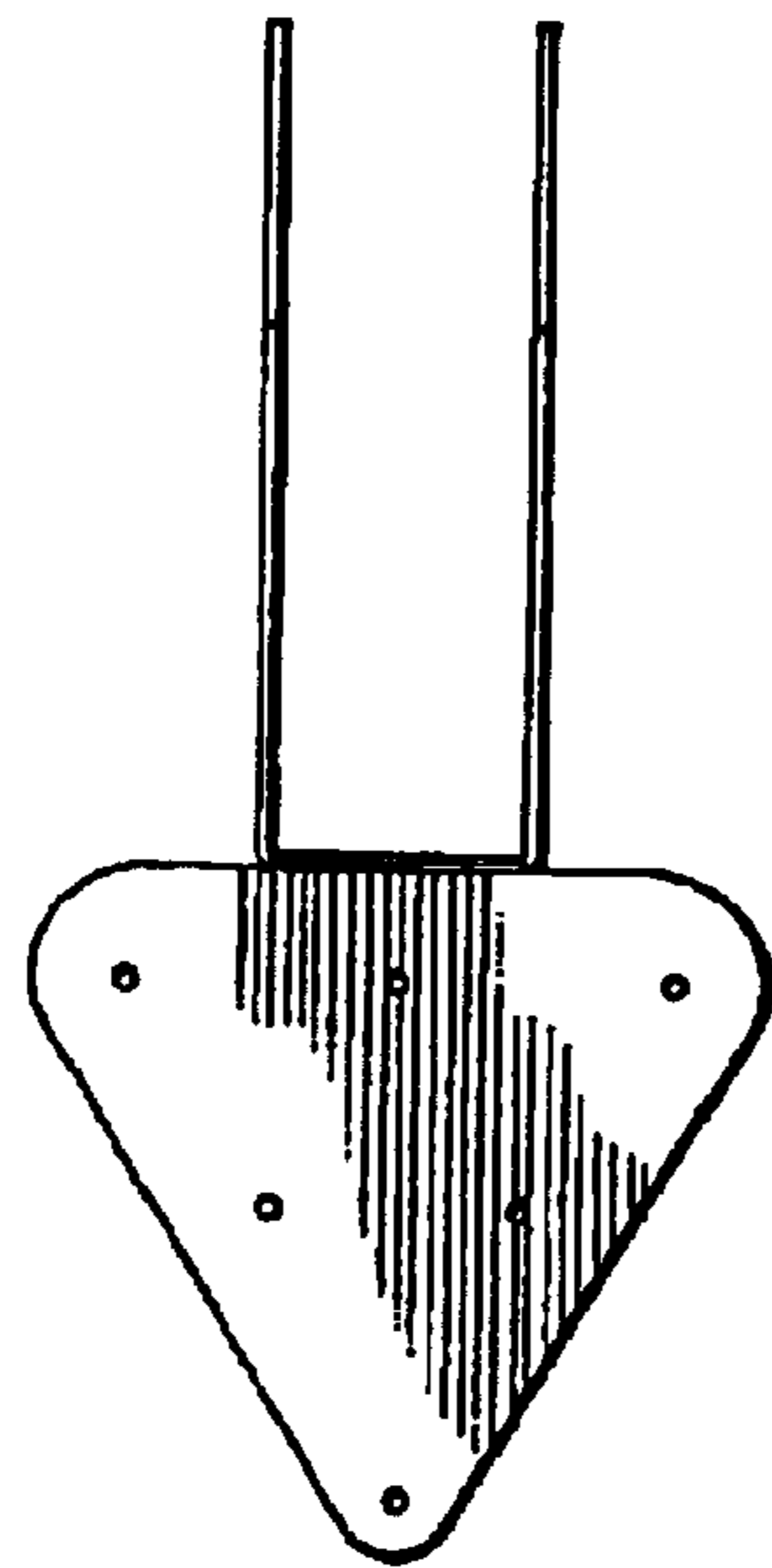


FIG. 2

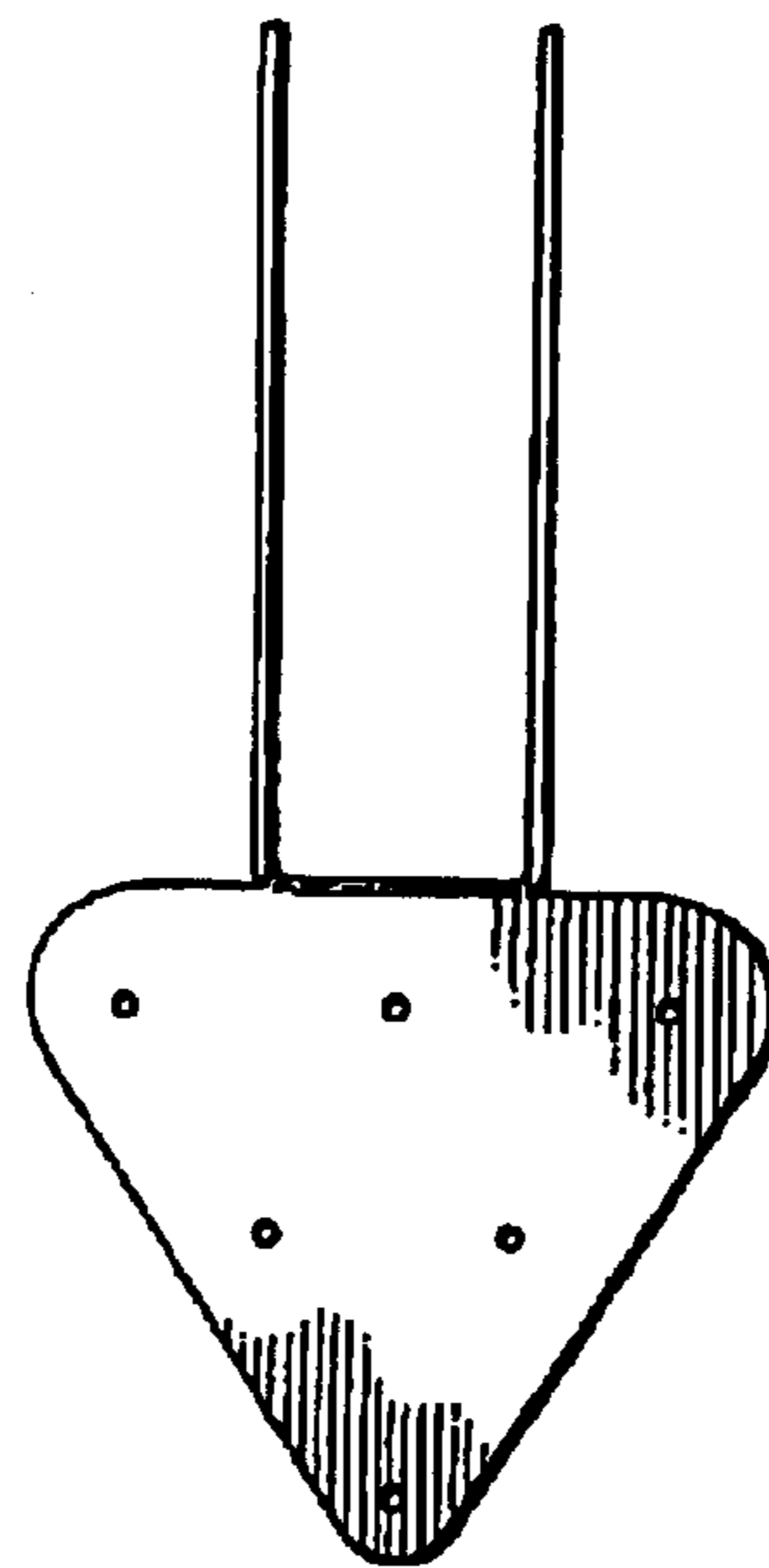


FIG. 3

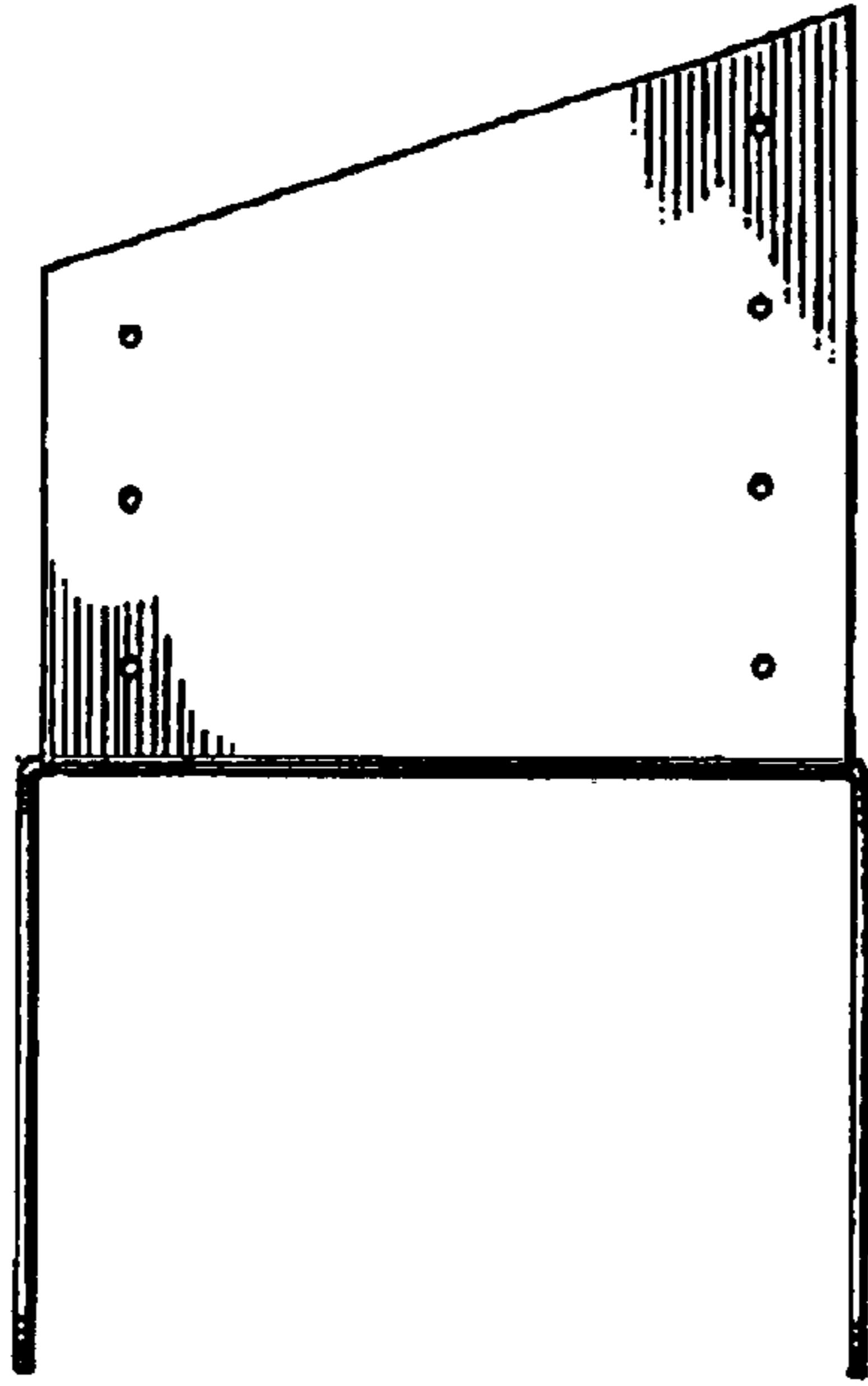


FIG. 4

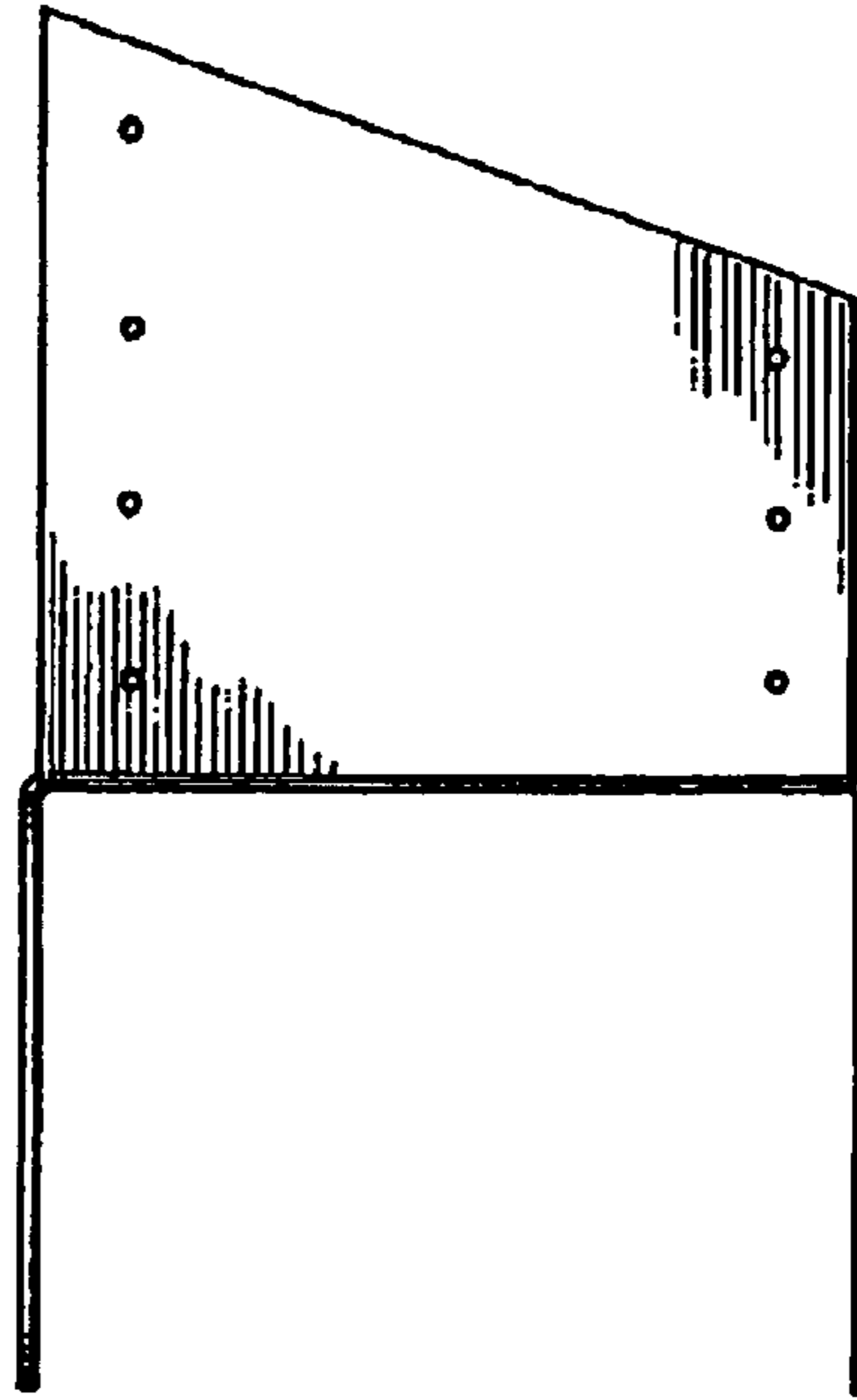


FIG. 5

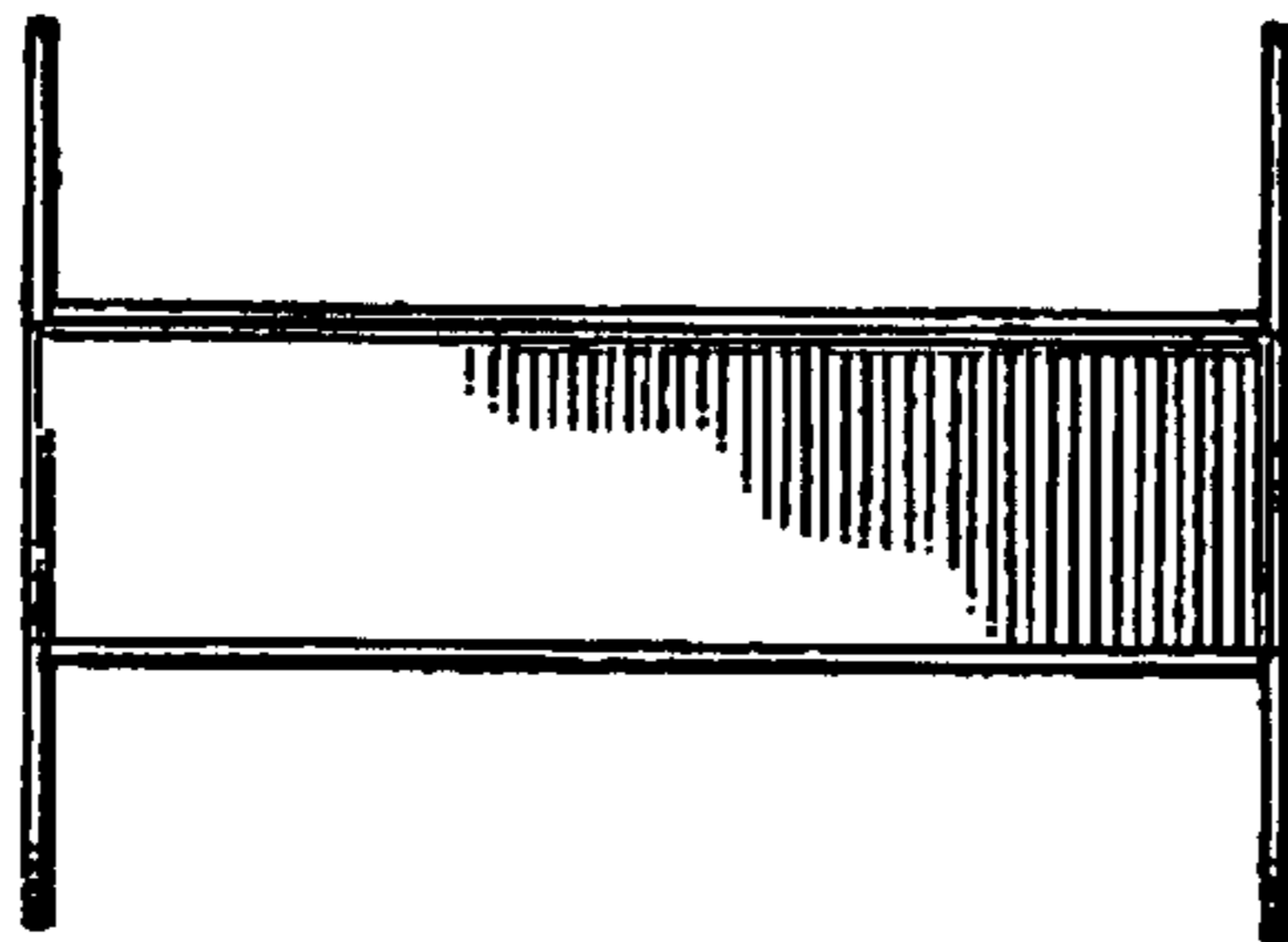


FIG. 6

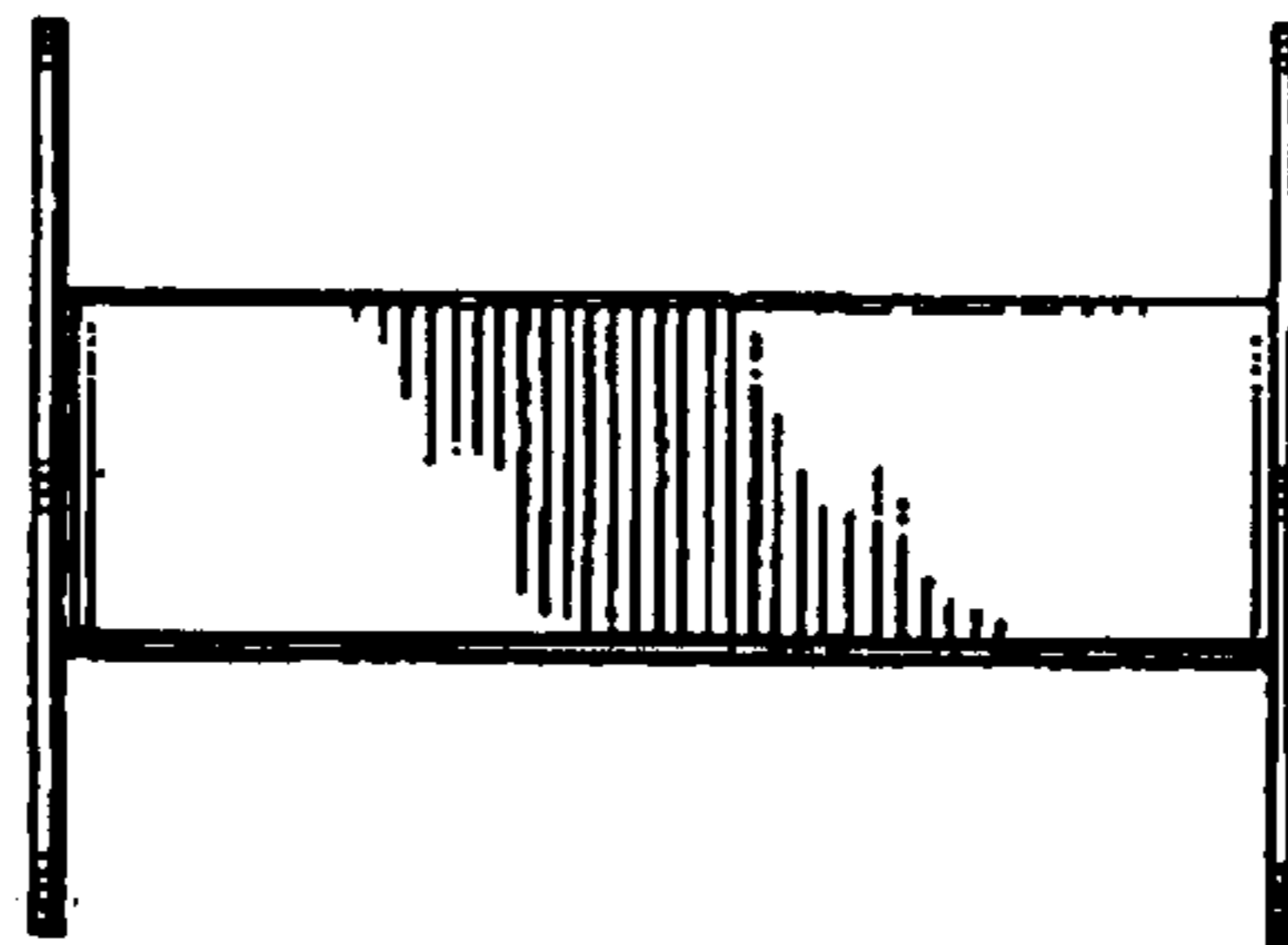


FIG. 7