

US00D492888S1

(12) **United States Design Patent**
Wilson

(10) **Patent No.:** **US D492,888 S**
(45) **Date of Patent:** **** Jul. 13, 2004**

(54) **NITROUS OXIDE FLOW SOLENOID BRACKET**

(76) **Inventor:** **Keith Wilson**, 4700 NE. 11th Ave., Ft. Lauderdale, FL (US) 33334

(**) **Term:** **14 Years**

(21) **Appl. No.:** **29/167,531**

(22) **Filed:** **Sep. 17, 2002**

(51) **LOC (7) Cl.** **08-08**

(52) **U.S. Cl.** **D8/349**

(58) **Field of Search** D8/349, 354, 356, D8/363, 366, 373, 380, 394; D12/223, 400; 48/189.4, 189.6; 123/184.21, 184.23, 184.32, 184.39, 184.46, 184.53, 585, 590; 248/200, 300, 674

(56) **References Cited**

U.S. PATENT DOCUMENTS

3,366,145	A	*	1/1968	Lohn	48/189.4
3,591,130	A	*	7/1971	McCarty	251/129.15
3,678,962	A	*	7/1972	Pierce, Jr.	123/184.39
4,333,441	A	*	6/1982	Still et al.	48/189.4
4,375,801	A	*	3/1983	Eckman	48/189.4
5,501,192	A	*	3/1996	Cutler	123/590

5,839,418	A	*	11/1998	Grant	123/585
6,230,585	B1	*	5/2001	Bator	248/674
6,237,547	B1	*	5/2001	Ishiyama	123/568.12
6,269,805	B1	*	8/2001	Wilson	123/184.53
6,378,512	B1	*	4/2002	Staggemeier	123/585
6,561,172	B1	*	5/2003	Chestnut et al.	123/585
D479,793	S	*	9/2003	Jones	D8/349

* cited by examiner

Primary Examiner—Doris V. Coles

Assistant Examiner—Elizabeth A. Albert

(74) *Attorney, Agent, or Firm*—Richard M. Saccocio, Esq.

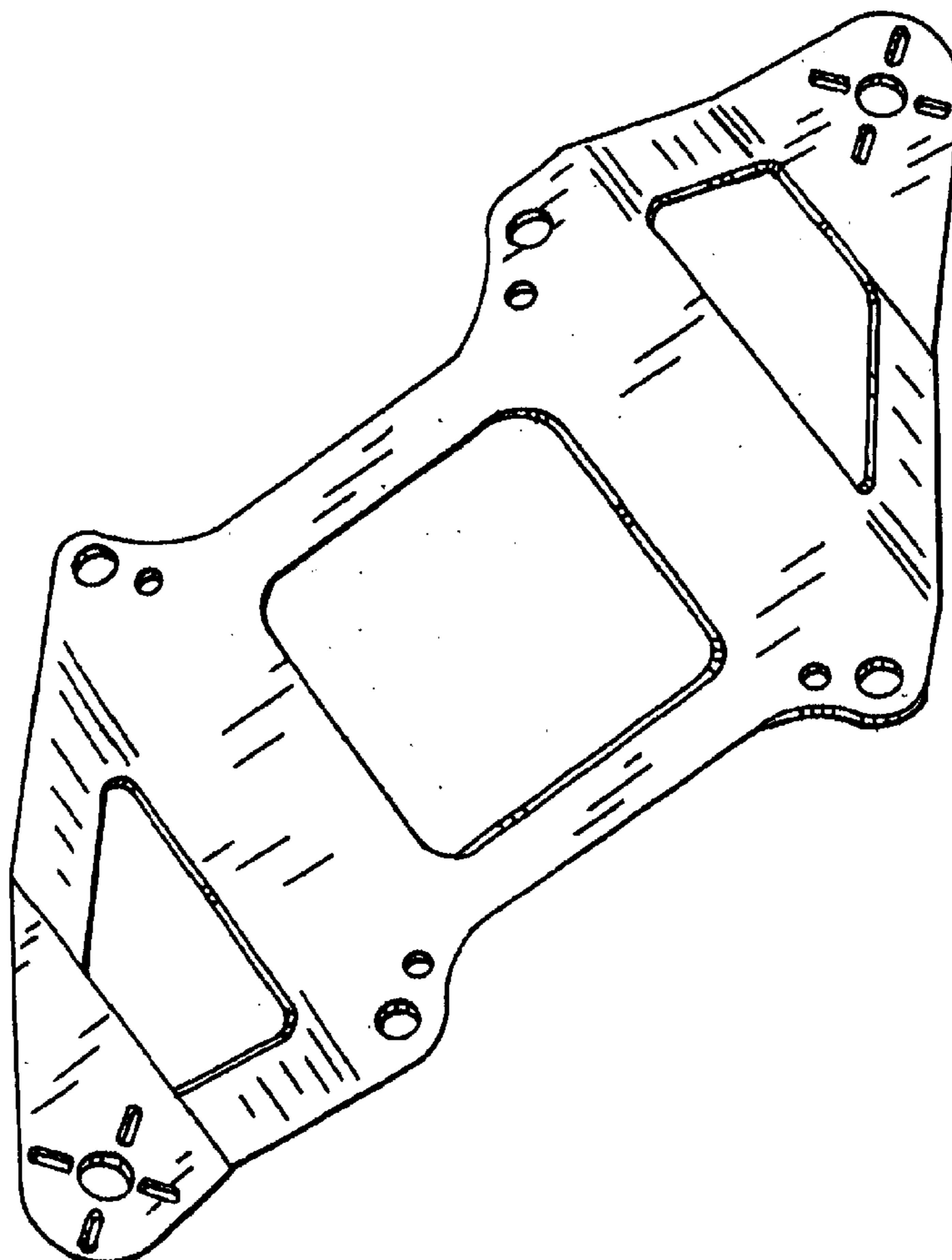
(57) **CLAIM**

The ornamental design for a nitrous oxide flow solenoid bracket, as shown and described.

DESCRIPTION

FIG. 1 is a perspective view of a nitrous oxide flow solenoid bracket, showing my new design;
FIG. 2 is a right side elevational view;
FIG. 3 is a left side elevational view;
FIG. 4 is bottom plan view;
FIG. 5 is an inverted back side elevational view;
FIG. 6 is a top plan view; and,
FIG. 7 is a front side elevational view.

1 Claim, 4 Drawing Sheets



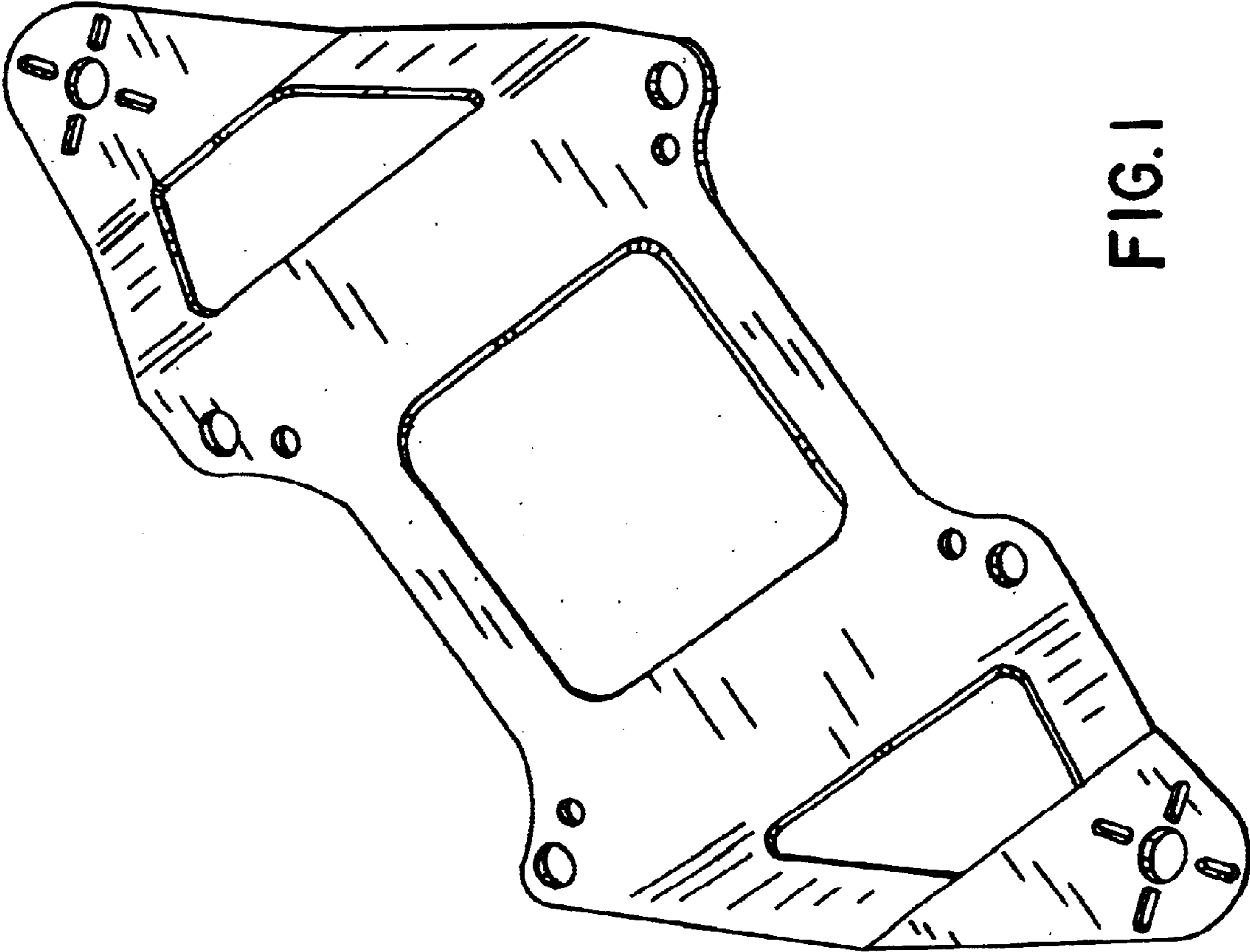


FIG. 1

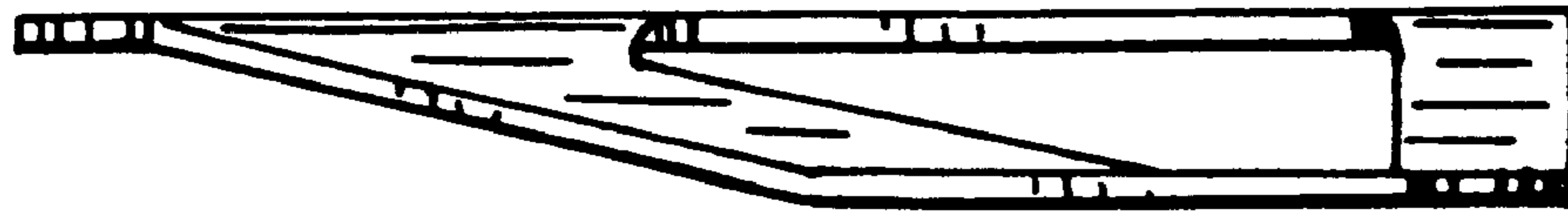


FIG. 2

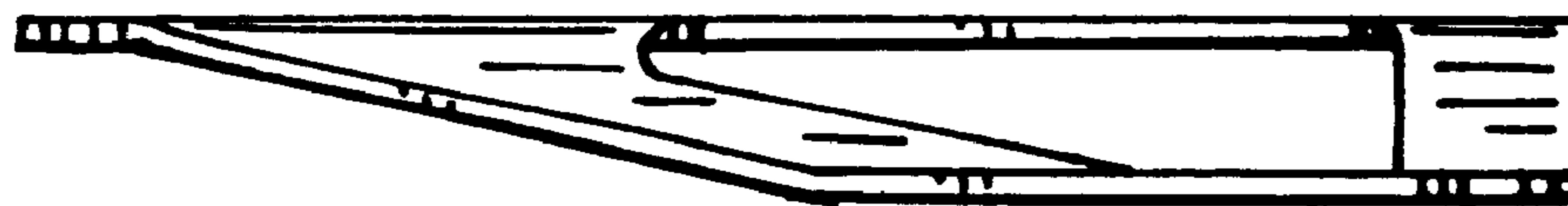


FIG. 3

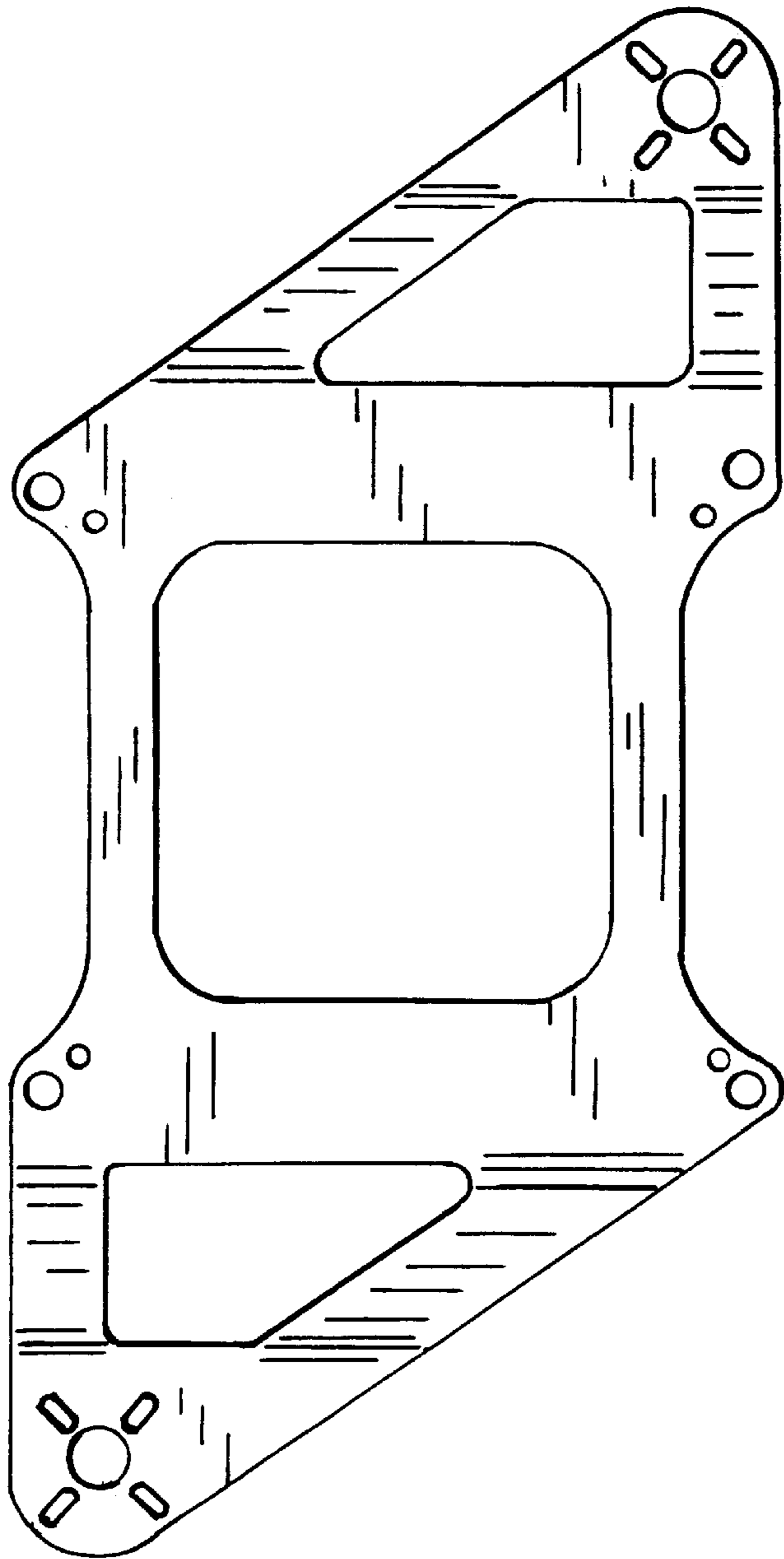


FIG. 4

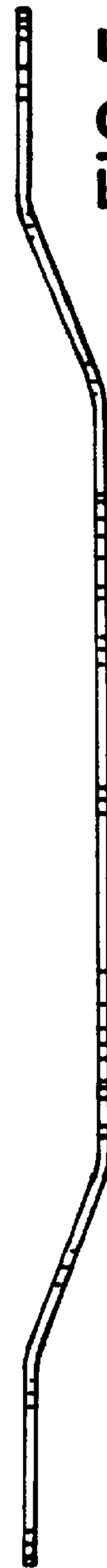


FIG. 5

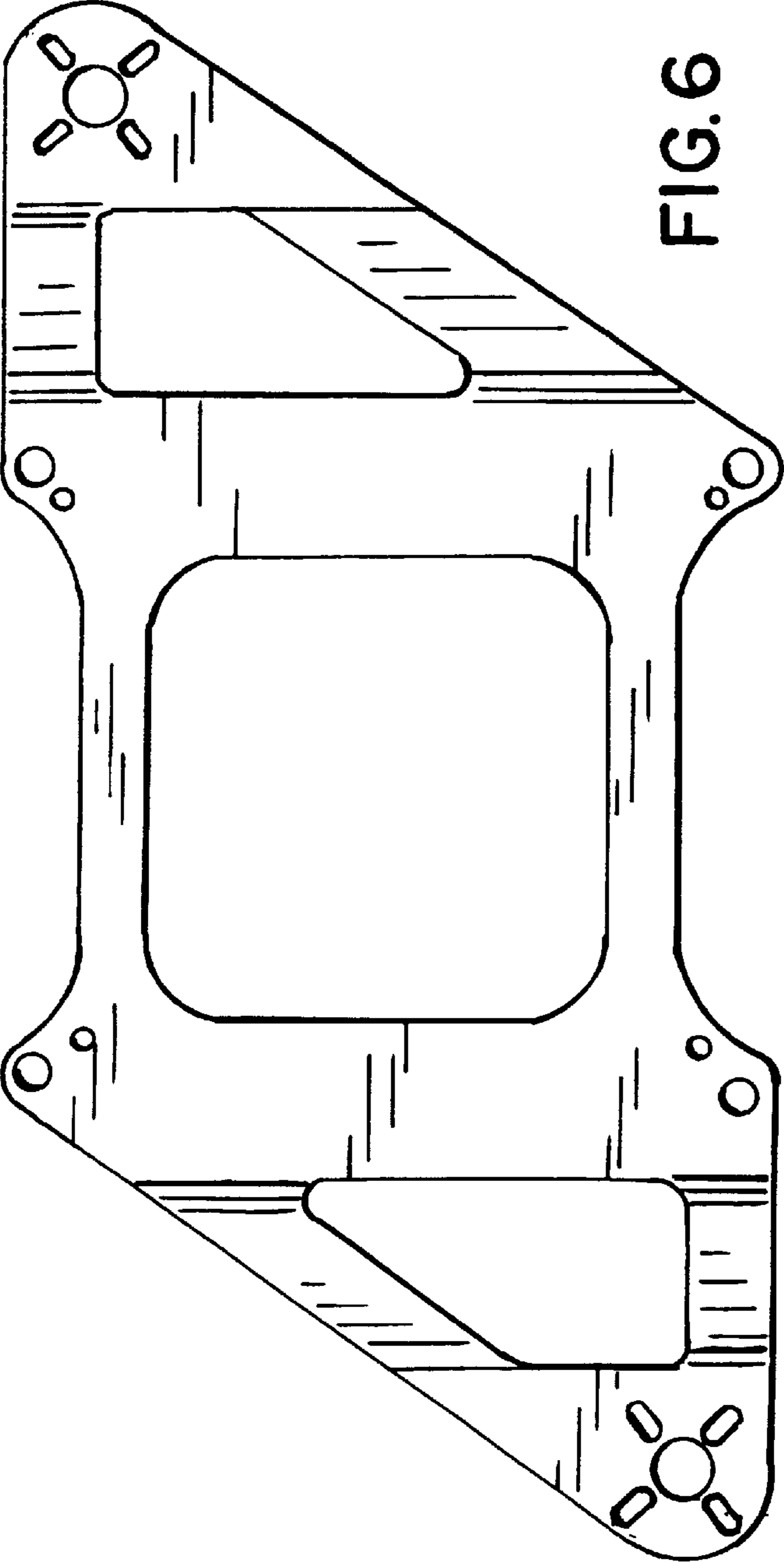


FIG. 6



FIG. 7