

US00D492884S1

(12) **United States Design Patent**
Swope

(10) **Patent No.:** **US D492,884 S**
(45) **Date of Patent:** **** Jul. 13, 2004**

(54) **SERVING TRAY WITH CUTTING BOARD INSERTS**

FOREIGN PATENT DOCUMENTS

(75) Inventor: **Karl T. Swope**, 2130 Kinney La.,
Reno, NV (US) 89511

(73) Assignee: **Karl T. Swope**, Reno, NV (US)

(**) Term: **14 Years**

(21) Appl. No.: **29/176,950**

(22) Filed: **Feb. 28, 2003**

(51) **LOC (7) Cl.** **07-01**

(52) **U.S. Cl.** **D7/505; D7/554.3**

(58) **Field of Search** **D7/554.3, 539,**
D7/550.1, 553.1-553.8, 555; 220/574, 578;
229/403, DIG. 13; 206/574, 575

(56) **References Cited**

U.S. PATENT DOCUMENTS

1,655,735	A	*	1/1928	Meinecke	D7/554.3
3,685,687	A	*	8/1972	Eckdahl	D7/553.3
D292,357	S	*	10/1987	Narain	D7/554.3
D327,200	S	*	6/1992	Szablak et al.	D7/554.3
D382,445	S	*	8/1997	Indekeu	D7/554.2
D400,404	S	*	11/1998	Indekeu	D7/554.3
D434,606	S	*	12/2000	Reames et al.	D7/552.1

GB 2100925 * 4/2001

* cited by examiner

Primary Examiner—Charles A. Rademaker

(74) *Attorney, Agent, or Firm*—Ian F. Burns; Ian F. Burns & Associates

(57) **CLAIM**

I claim the ornamental design for a serving tray with cutting board inserts, as shown and described.

DESCRIPTION

FIG. 1 is an exploded view of the serving tray with cutting board inserts.

FIG. 2 is a perspective view of the serving tray with cutting board inserts shown in FIG. 1.

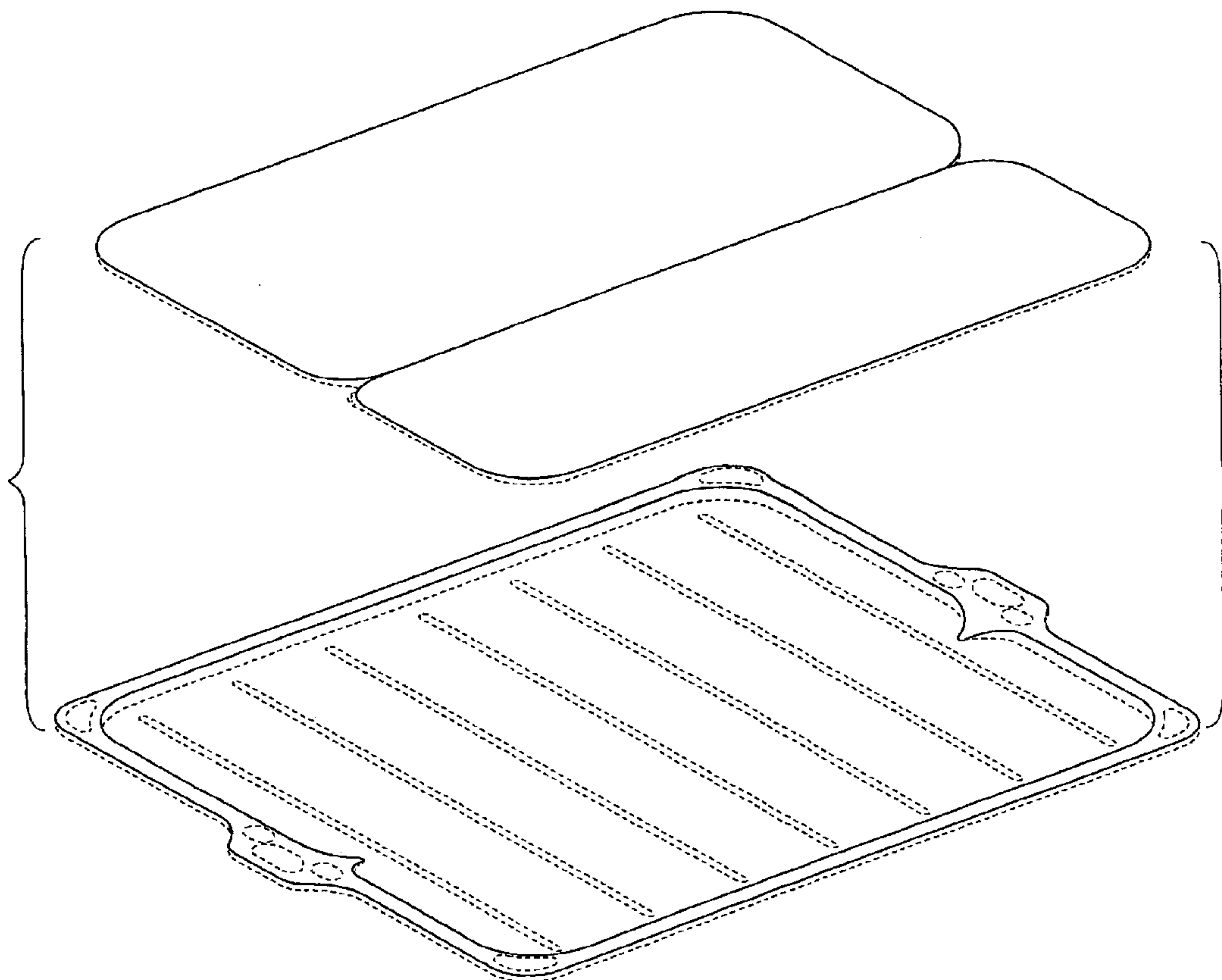
FIG. 3 is a front elevational view of the serving tray with cutting board inserts, the rear elevational view being identical.

FIG. 4 is a right side elevational view of the serving tray with cutting board inserts; and,

FIG. 5 is a left side elevational view of the serving tray with cutting board inserts.

Broken lines illustrate features or environmental components that are not part of the design sought to be patented.

1 Claim, 5 Drawing Sheets



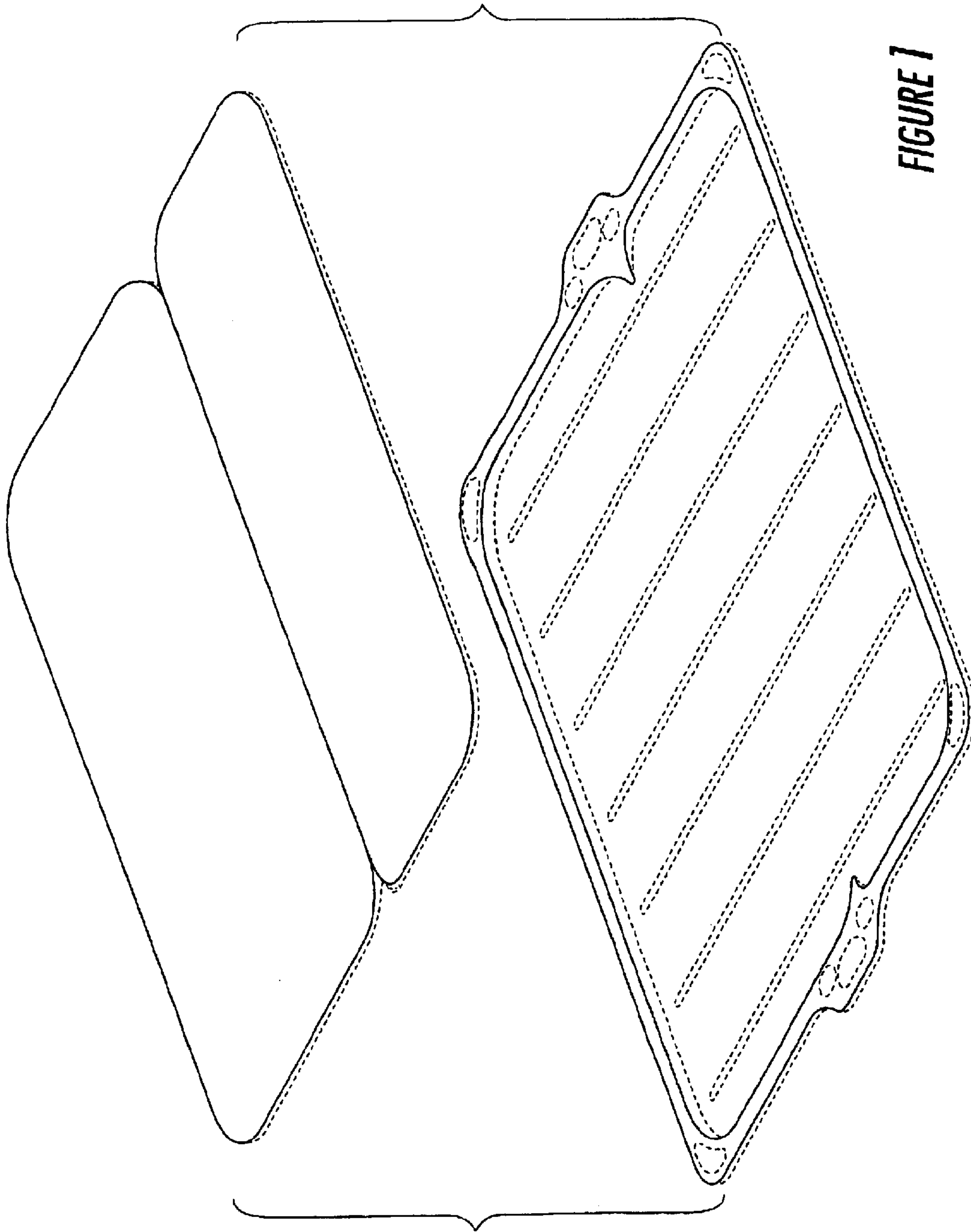


FIGURE 1

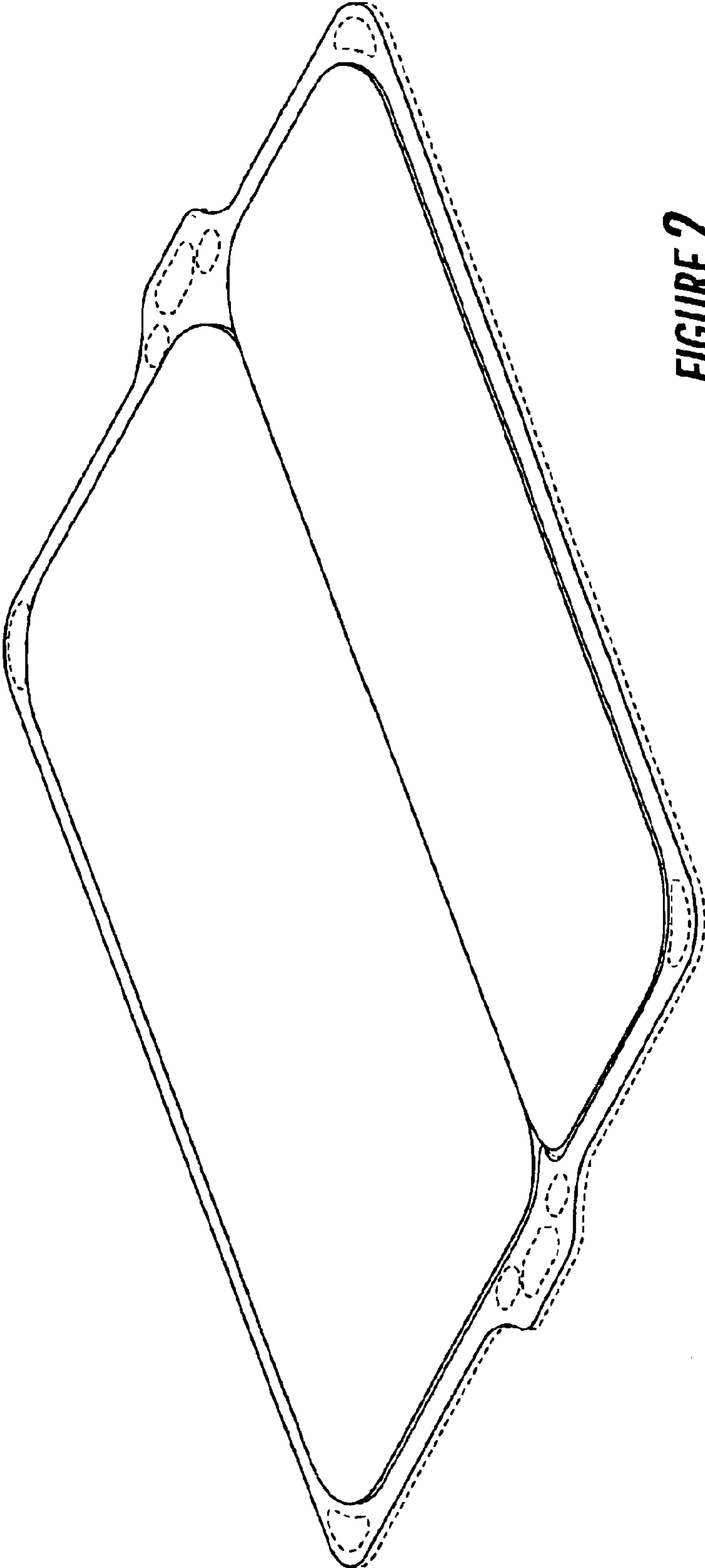


FIGURE 2

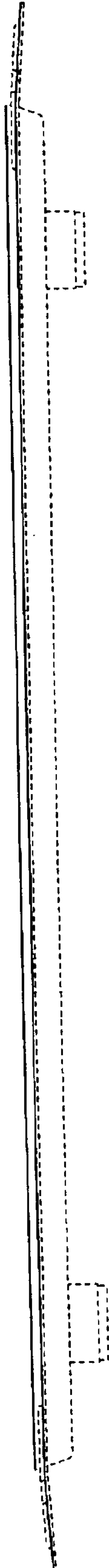


FIGURE 3

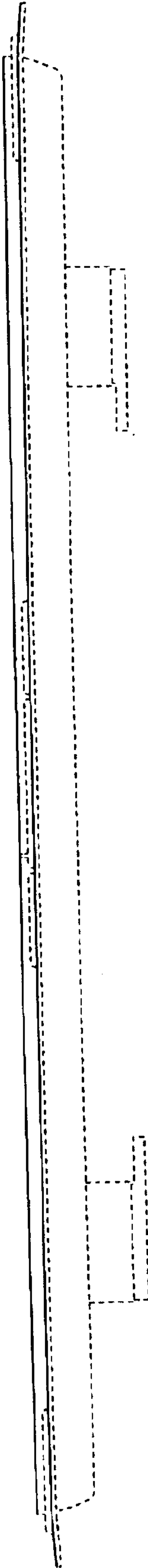


FIGURE 4

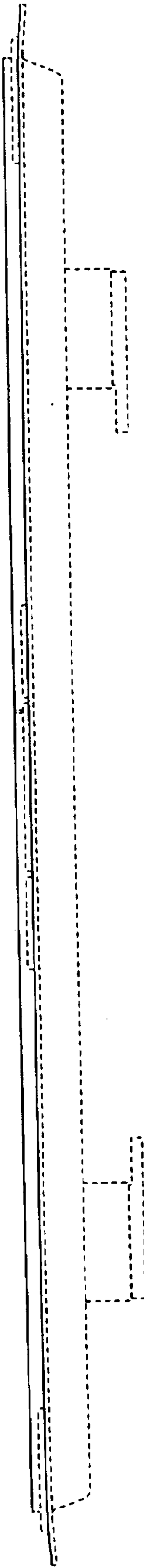


FIGURE 5