

US00D492883S1

(12) **United States Design Patent**  
**Shumway et al.**

(10) **Patent No.:** **US D492,883 S**

(45) **Date of Patent:** **\*\* Jul. 13, 2004**

(54) **CONSTRUCTION WORKER SIPPER CUP LID**

D433,776 S \* 11/2000 Scanlon ..... D29/102  
D457,778 S \* 5/2002 Randolph et al. .... D7/392.1

(76) Inventors: **Craig S. Shumway**, 1532 Hunters Mill Pl., Oviedo, FL (US) 32765; **Amy M. Shumway**, 1532 Hunters Mill Pl., Oviedo, FL (US) 32765

\* cited by examiner

*Primary Examiner*—Terry A. Wallace  
(74) *Attorney, Agent, or Firm*—James H. Beusse; Beusse Brownlee Wolter Mora & Maire, P.A.

(\*\*) Term: **14 Years**

(57) **CLAIM**

(21) Appl. No.: **29/179,948**

The ornamental design for a construction worker sipper cup lid, as shown and described.

(22) Filed: **Apr. 17, 2003**

**DESCRIPTION**

(51) **LOC (7) Cl.** ..... **07-01**

(52) **U.S. Cl.** ..... **D7/392.1; D7/396.2**

(58) **Field of Search** ..... D7/392.1, 396.2,  
D7/396.1, 900, 514, 515, 501, 507, 510,  
511; D9/307; D29/102; 206/719, 770, 446;  
220/662, 705, 719, 361

FIG. 1 is a front perspective view of my design for a sipper cup lid;

FIG. 2 is a front elevation view of the design of FIG. 1;

FIG. 3 is a rear elevation view of the design of FIG. 1;

FIG. 4 is a right side elevation view of the design of FIG. 1;

FIG. 5 is a top plan view of the design of FIG. 1; and,

FIG. 6 is a bottom view of the design of FIG. 1.

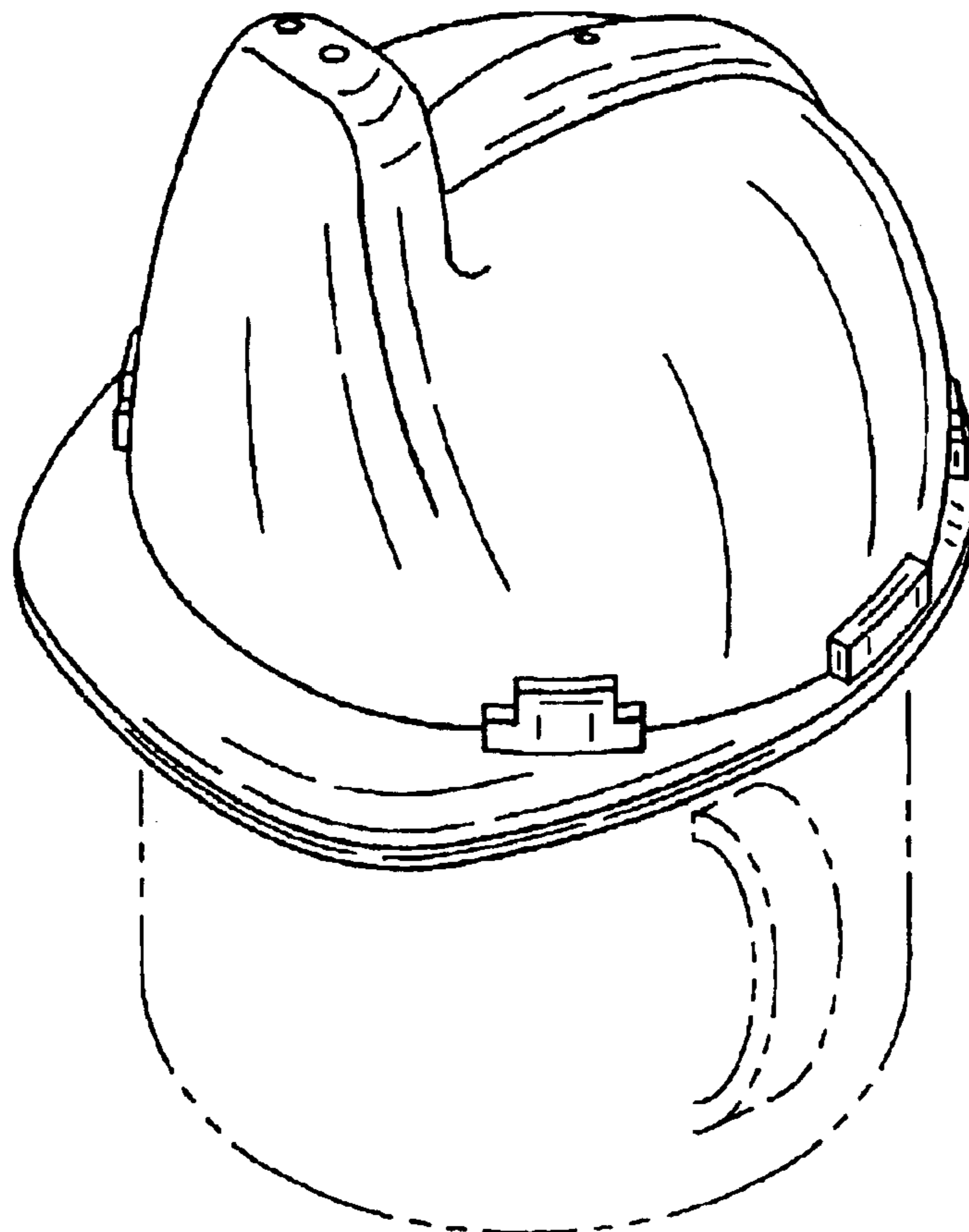
It is to be understood that a left side view of the design of FIG. 1 is a mirror image of FIG. 4.

(56) **References Cited**

**U.S. PATENT DOCUMENTS**

4,925,052 A \* 5/1990 Betka et al. .... 220/719  
D433,473 S \* 11/2000 Kennedy et al. .... D21/725

**1 Claim, 2 Drawing Sheets**



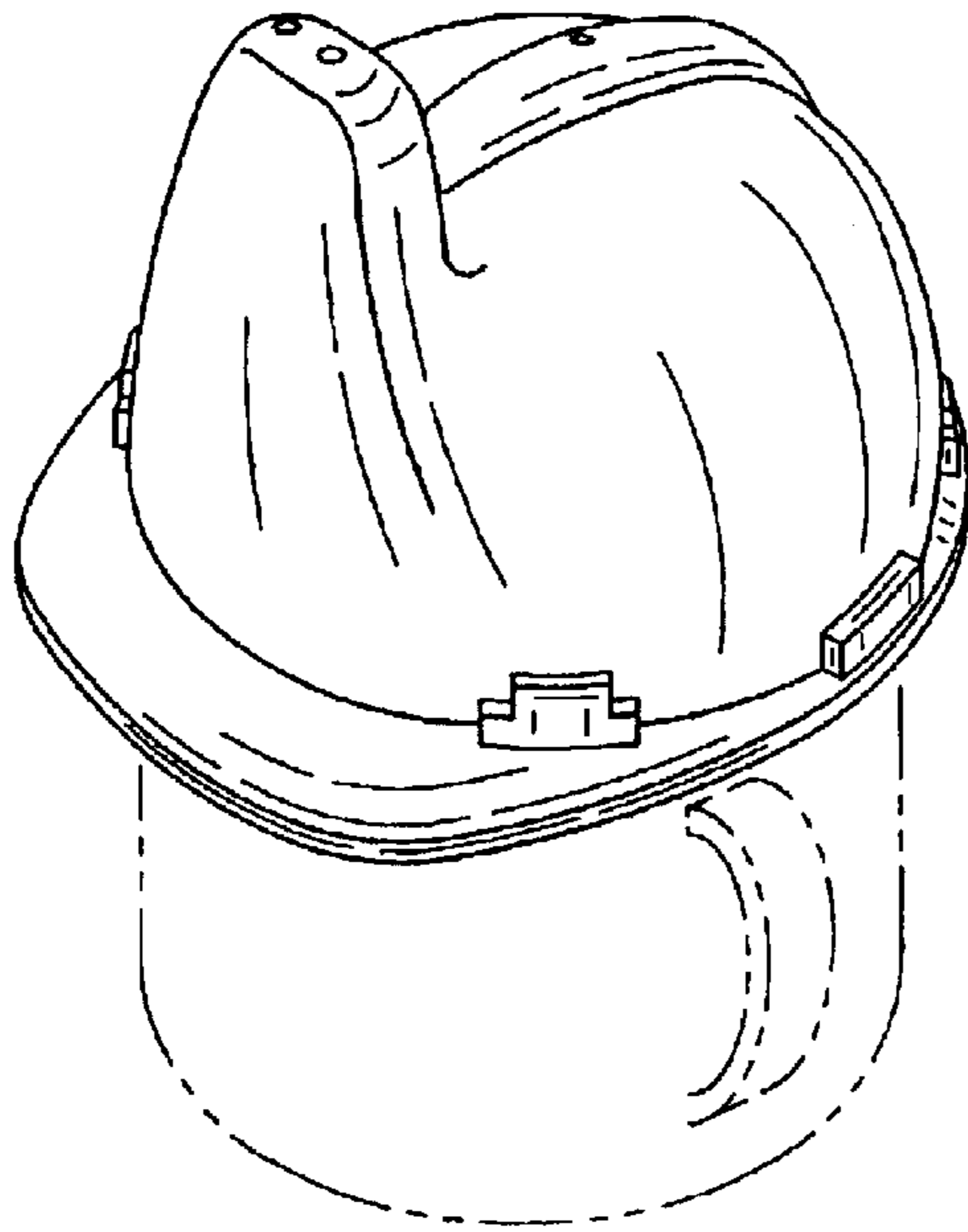


FIG. 1

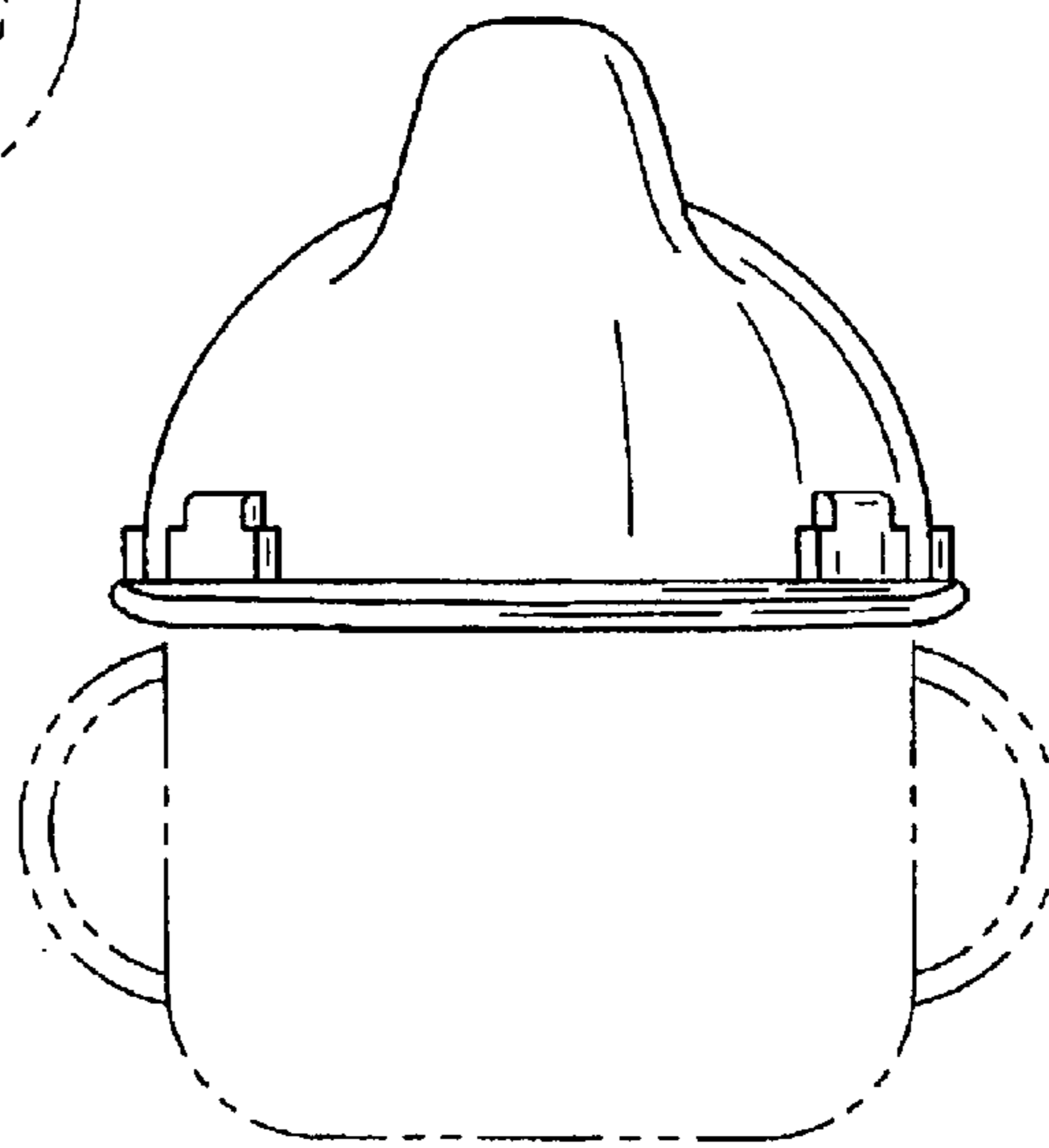


FIG. 2

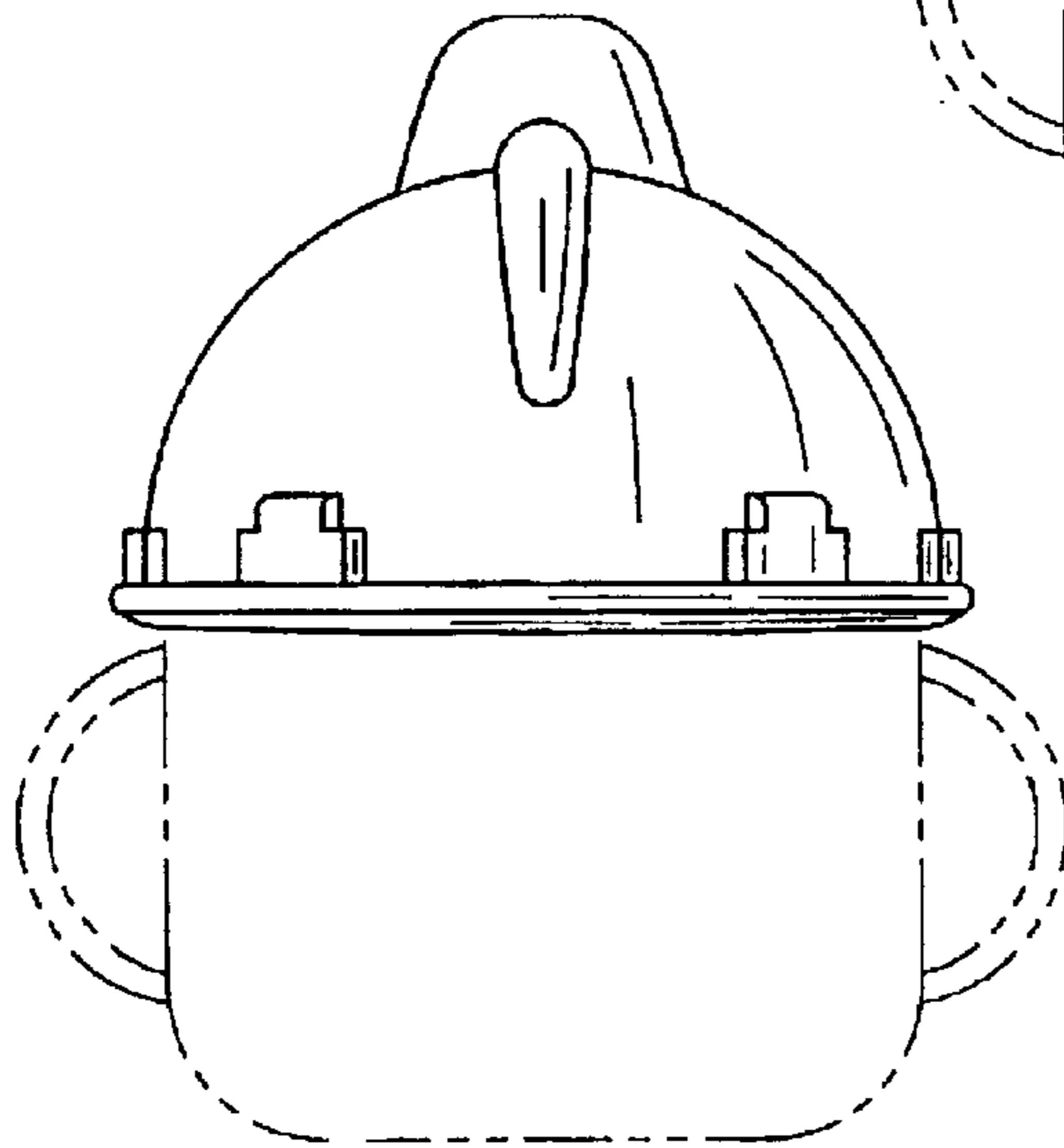


FIG. 3

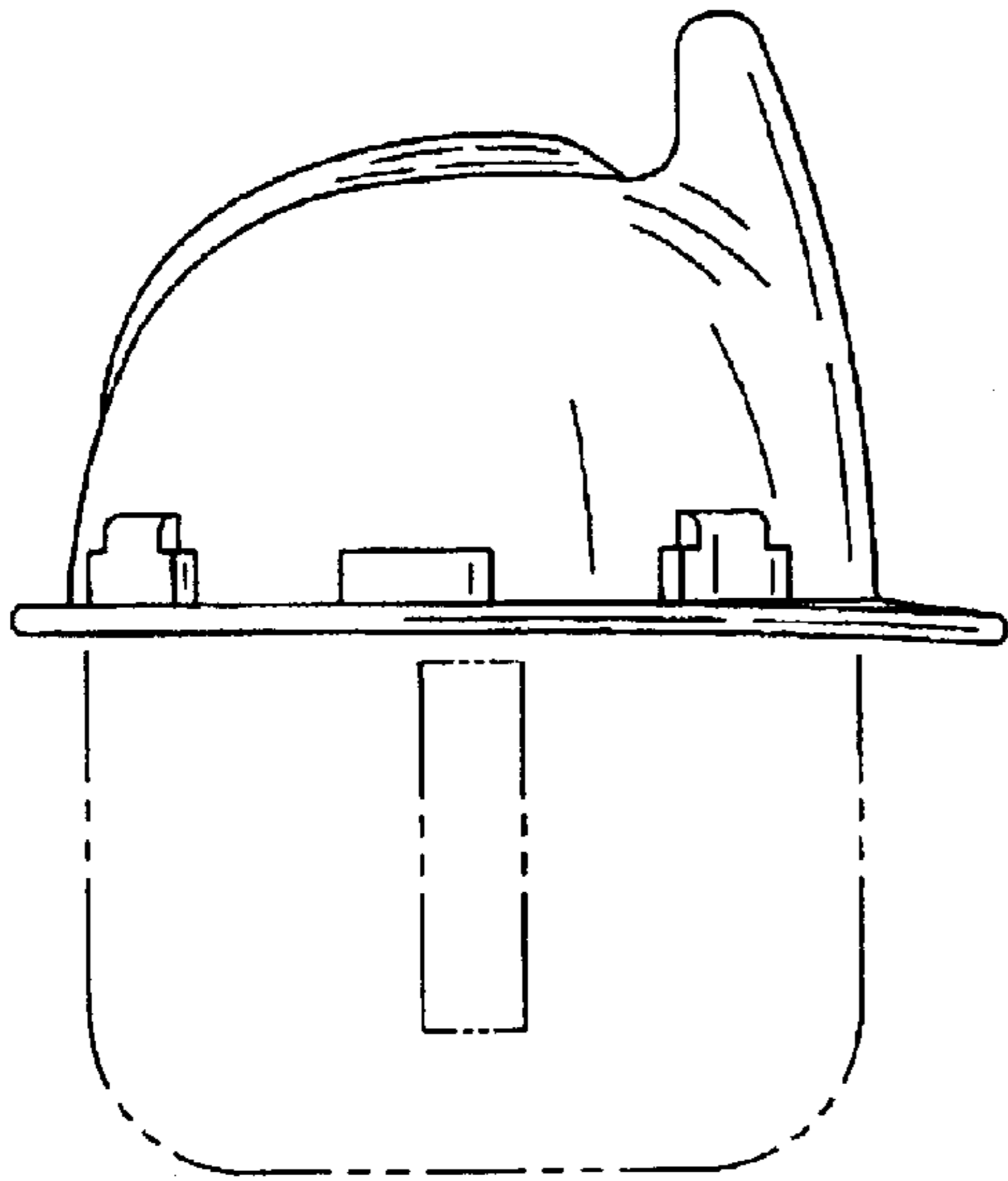


FIG. 4

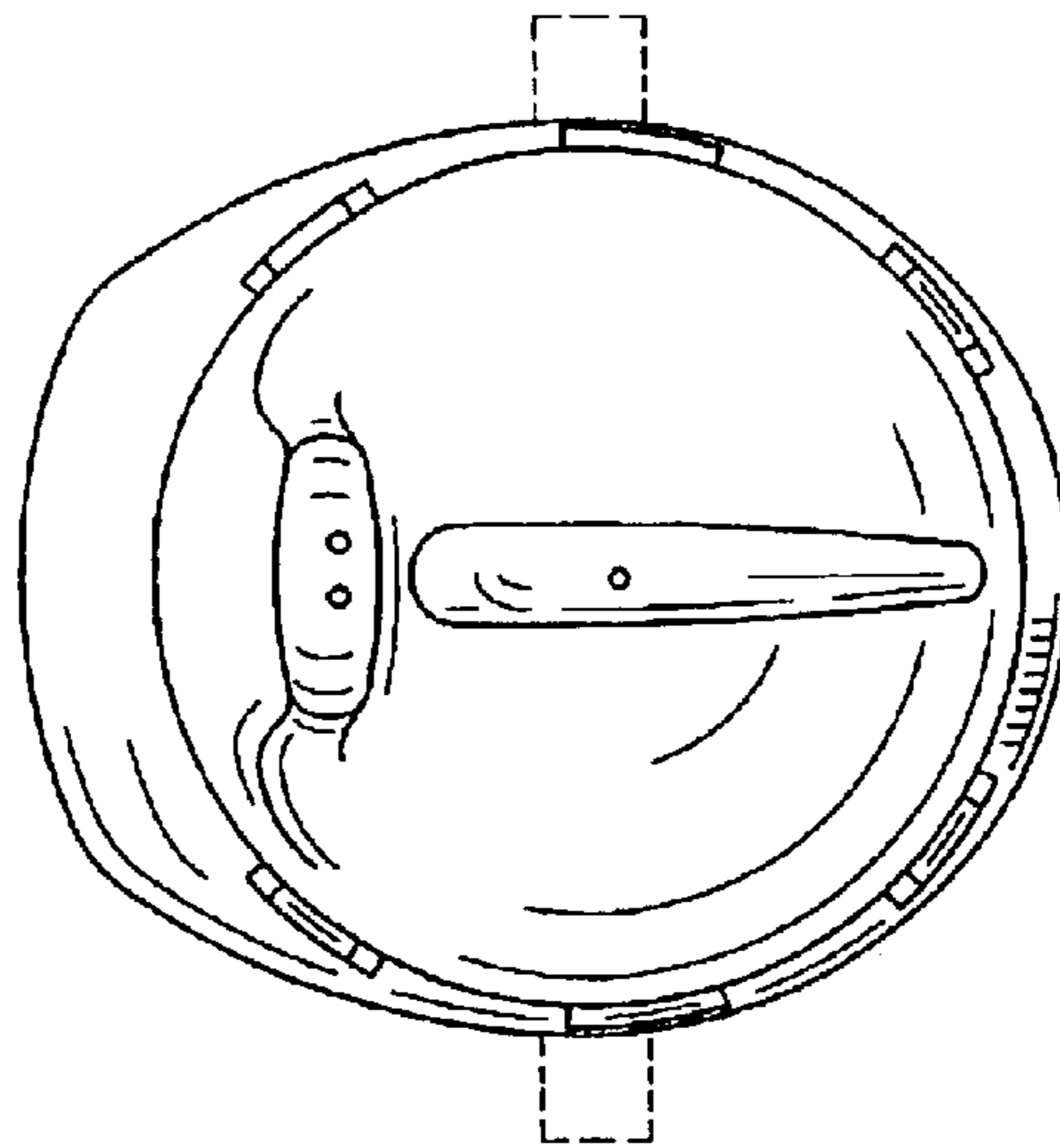


FIG. 5

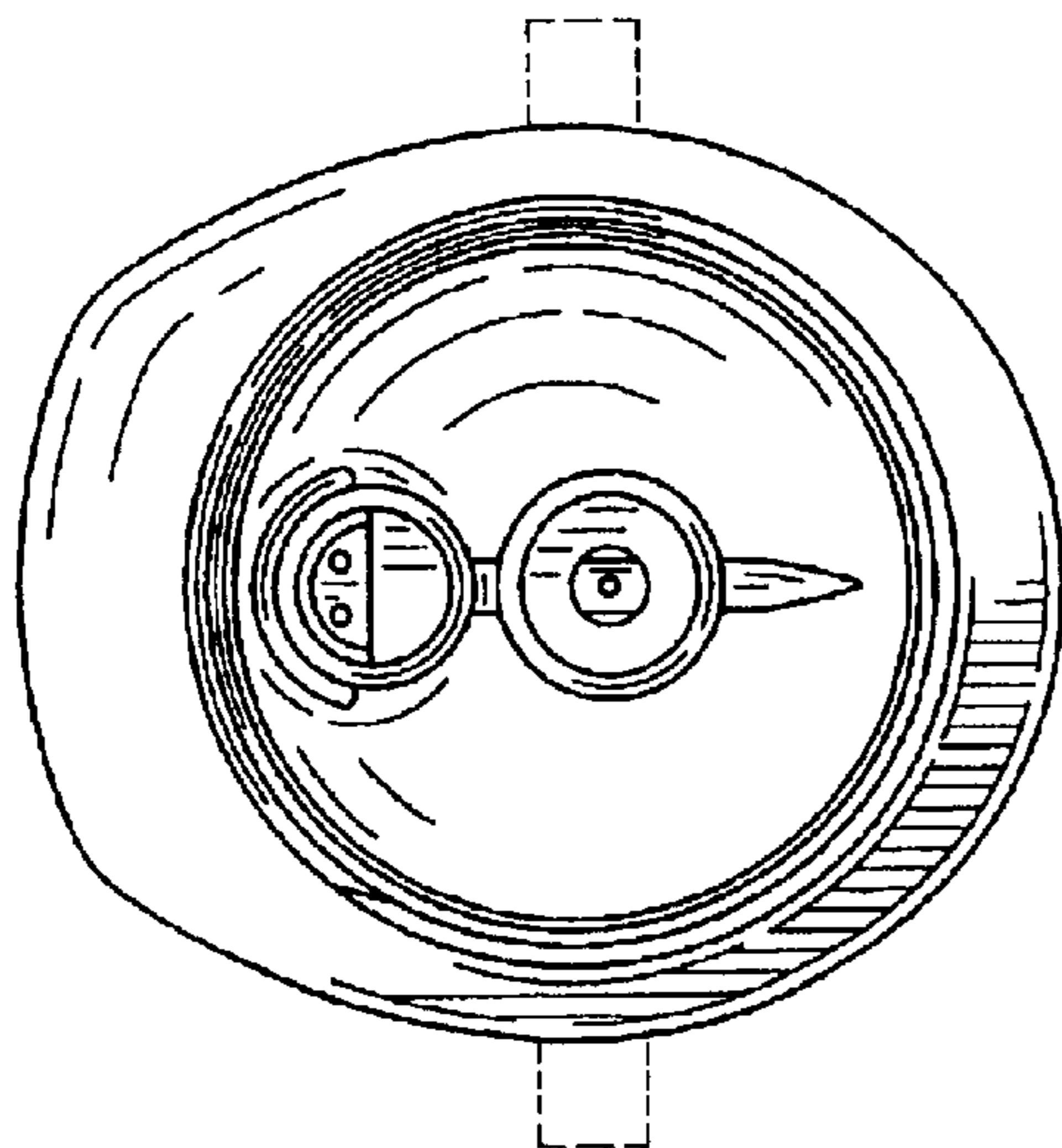


FIG. 6