

US00D492881S1

(12) **United States Design Patent**
Bodum

(10) **Patent No.:** **US D492,881 S**
(45) **Date of Patent:** **** Jul. 13, 2004**

(54) **PAN**
(75) **Inventor:** **Jørgen Bodum, St. Niklausen (CH)**
(73) **Assignee:** **PI-Design AG, Triengen (CH)**
(**) **Term:** **14 Years**

(21) **Appl. No.:** **29/182,831**
(22) **Filed:** **Jun. 3, 2003**

(30) **Foreign Application Priority Data**
Dec. 6, 2002 (DK) DA 2002 00965

(51) **LOC (7) Cl.** **07-02**
(52) **U.S. Cl.** **D7/360**
(58) **Field of Search** D7/323, 354-361,
D7/538, 540, 543, 545; 99/324-340, 357;
220/573.1-573.5, 574

(56) **References Cited**
U.S. PATENT DOCUMENTS

D293,872 S * 1/1988 Wang D7/354

D470,715 S * 2/2003 Kloppsteck D7/360

FOREIGN PATENT DOCUMENTS

GB 2042143 * 3/1994
* cited by examiner

Primary Examiner—Caron D. Veynar
(74) *Attorney, Agent, or Firm*—Nath & Associates PLLC

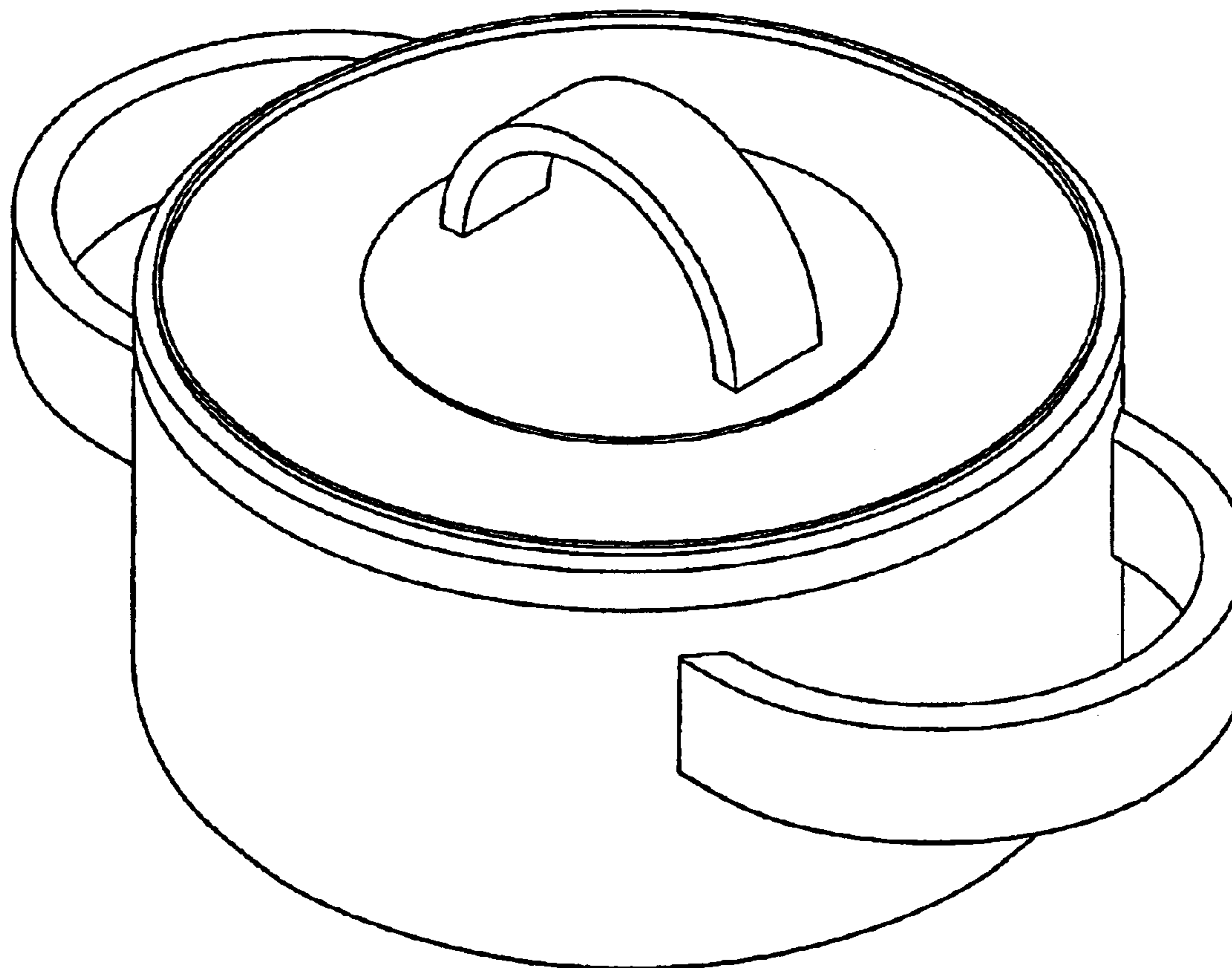
(57) **CLAIM**

The ornamental design for a pan, as shown and described.

DESCRIPTION

FIG. 1 is an oblique perspective view of the pan;
FIG. 2 is a cross section view taken along line 2—2 in FIG. 7;
FIG. 3 is a front side view of the pan;
FIG. 4 is a back side view of the pan;
FIG. 5 is a right side view of the pan;
FIG. 6 is a left side view of the pan;
FIG. 7 is a top view of the pan; and,
FIG. 8 is a bottom view of the pan.

1 Claim, 8 Drawing Sheets



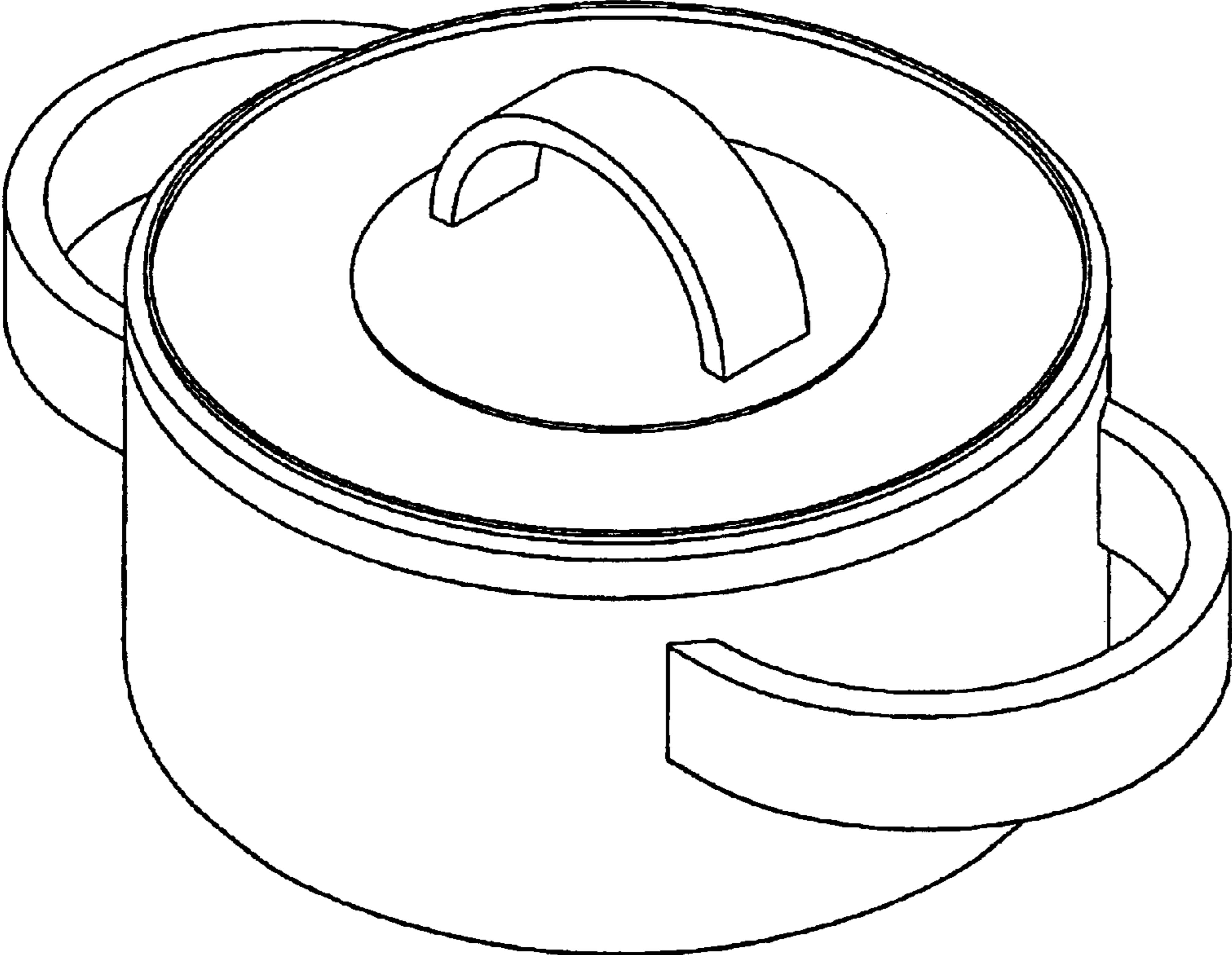


Fig. 1

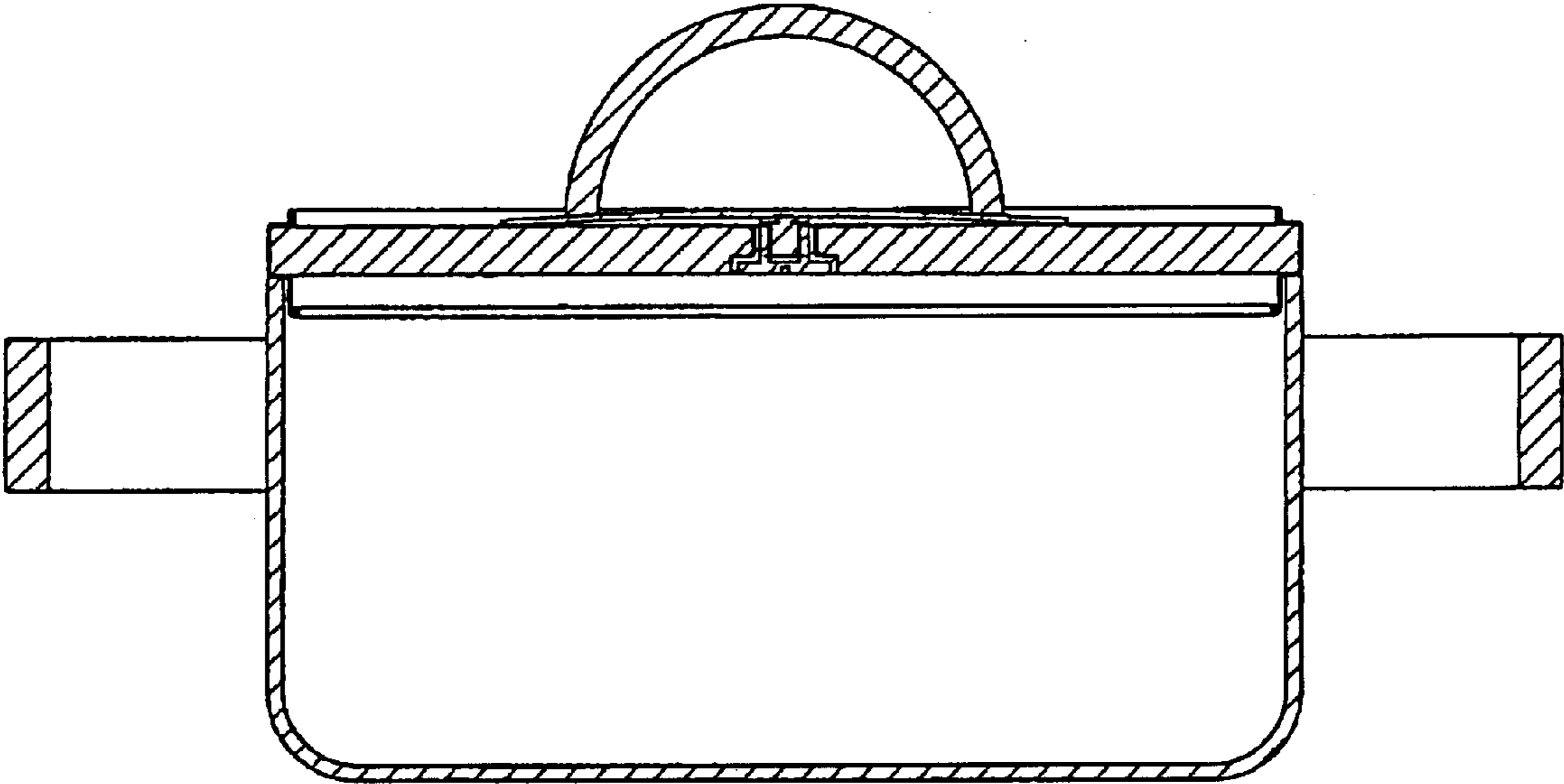


Fig. 2

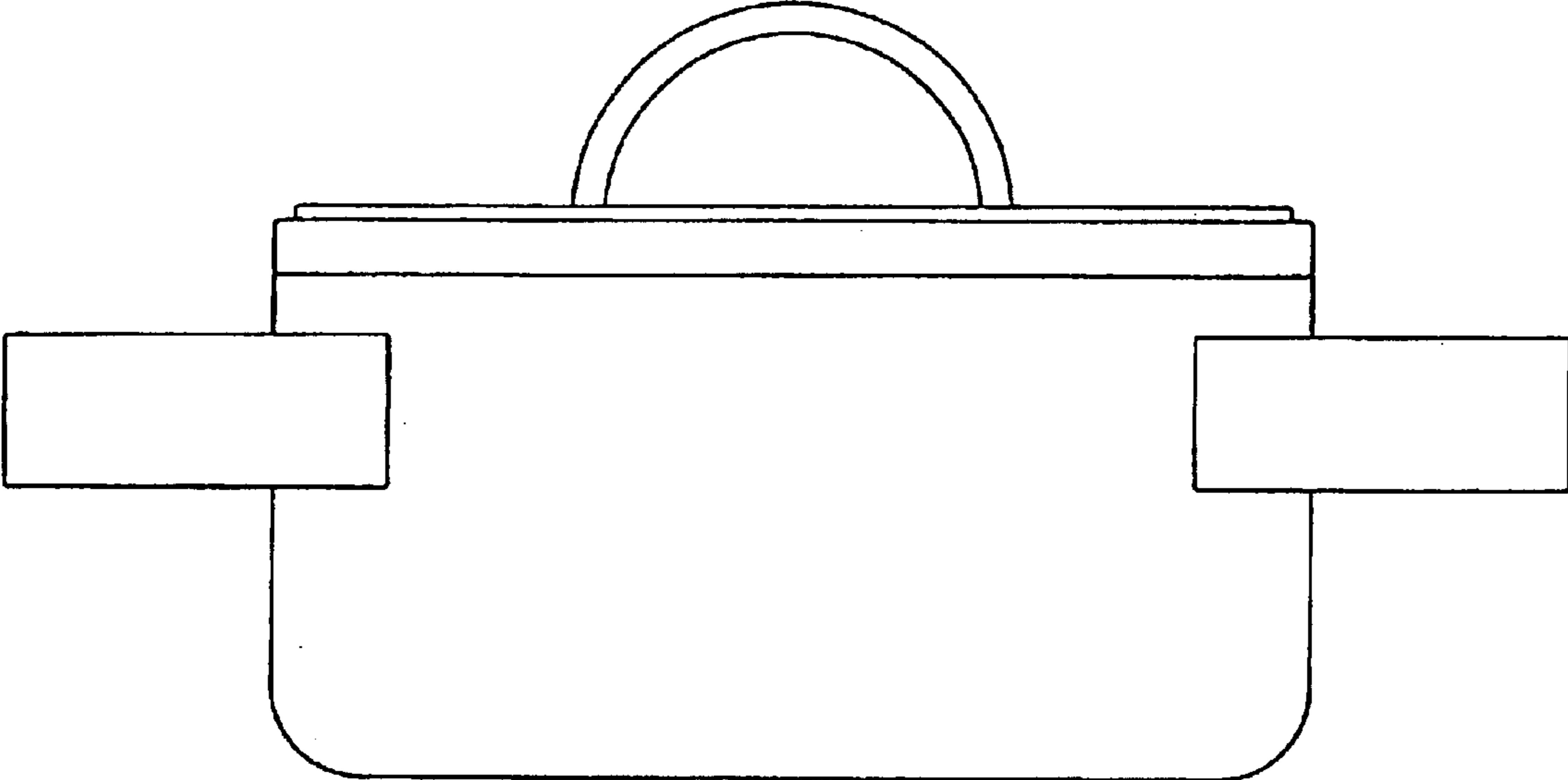


Fig. 3

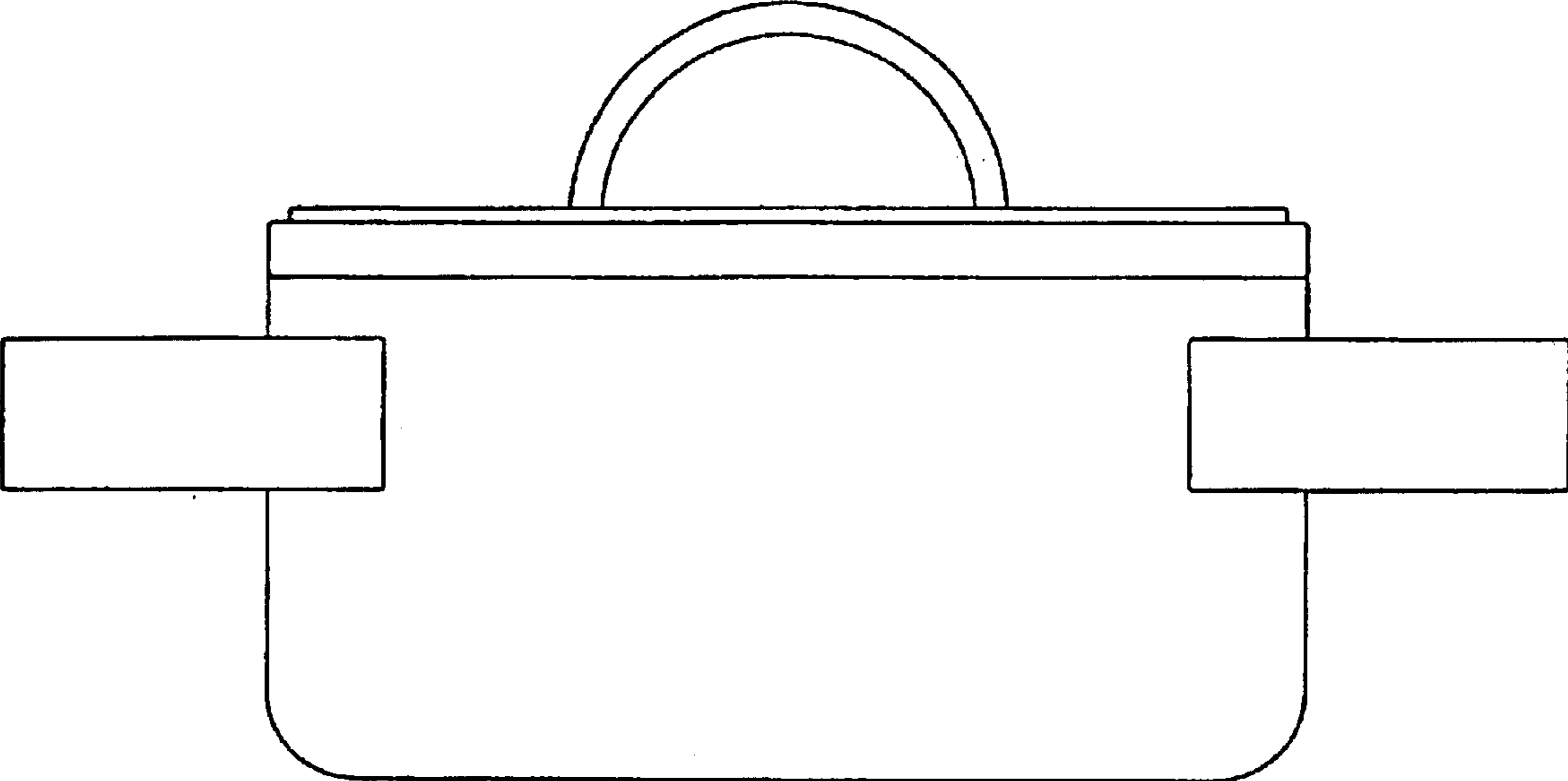


Fig. 4

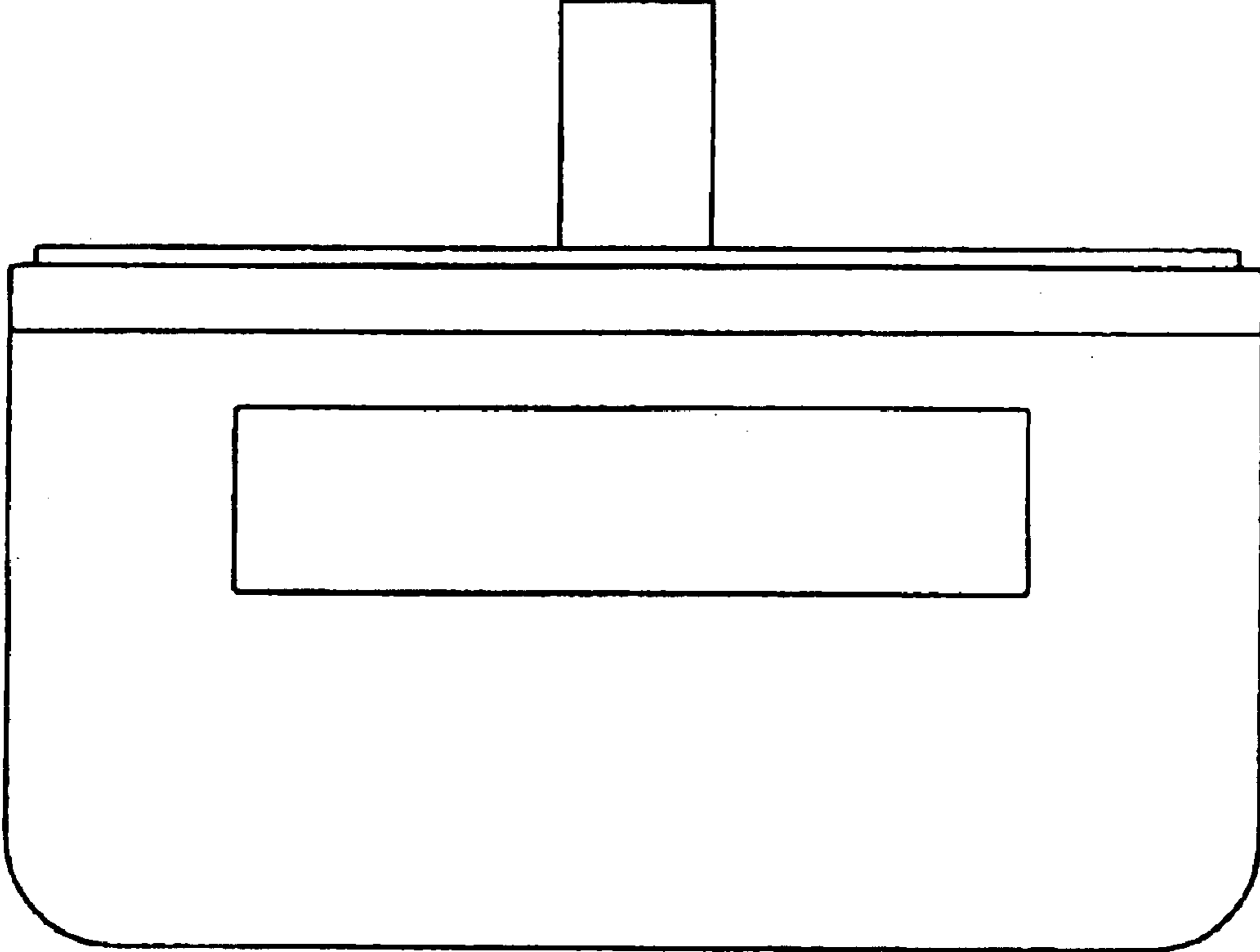


Fig. 5

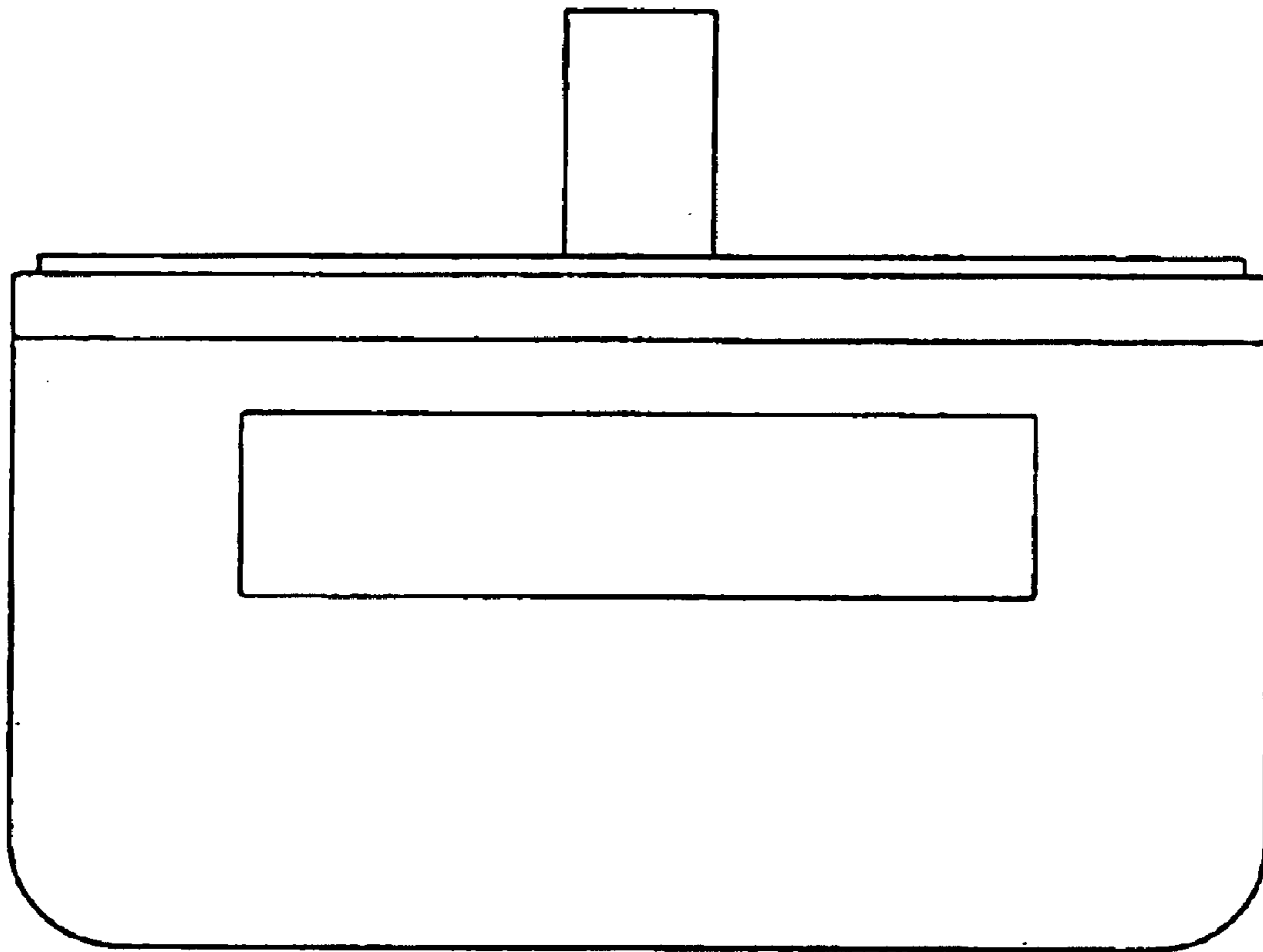


Fig. 6

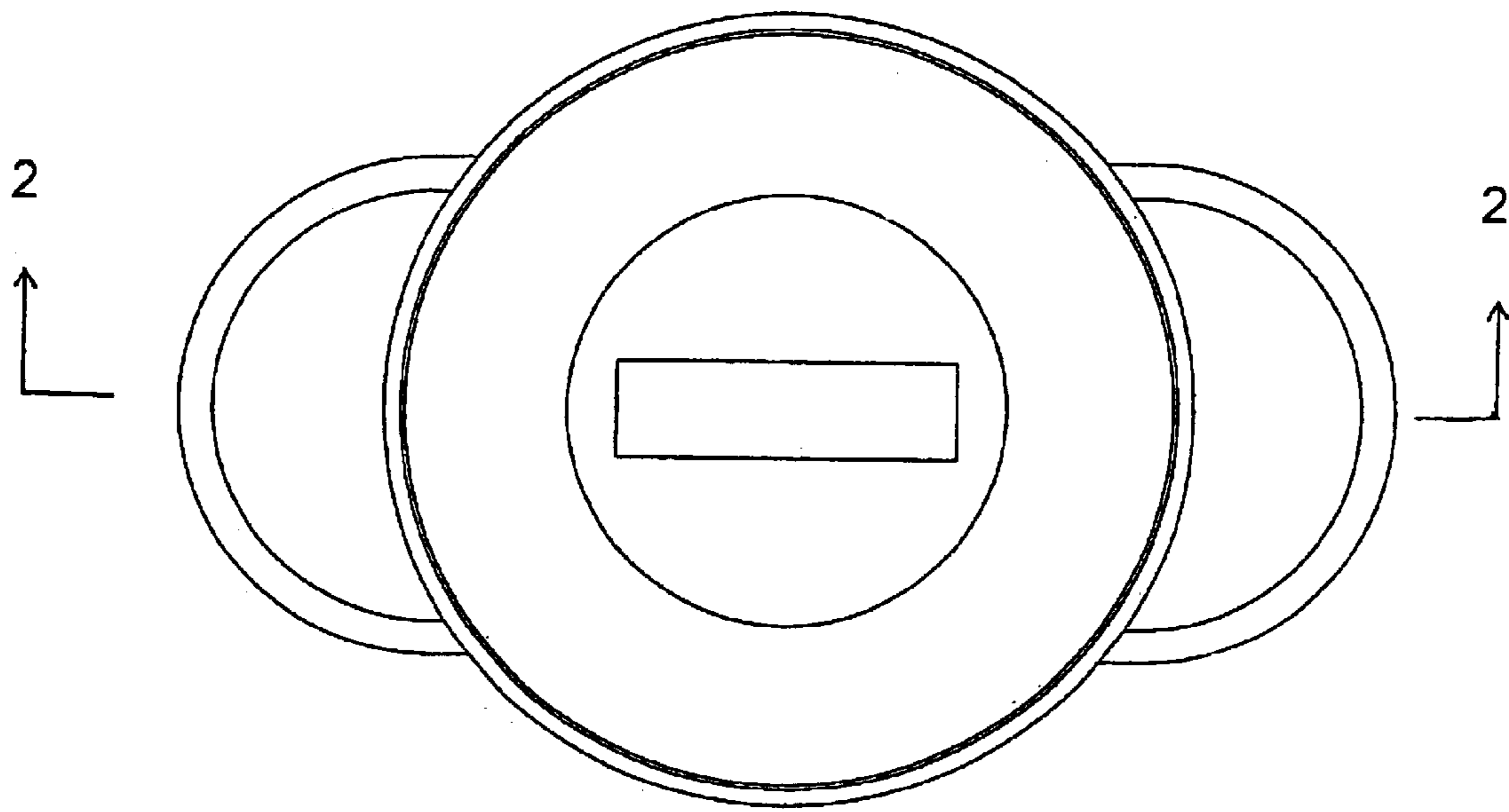


Fig. 7

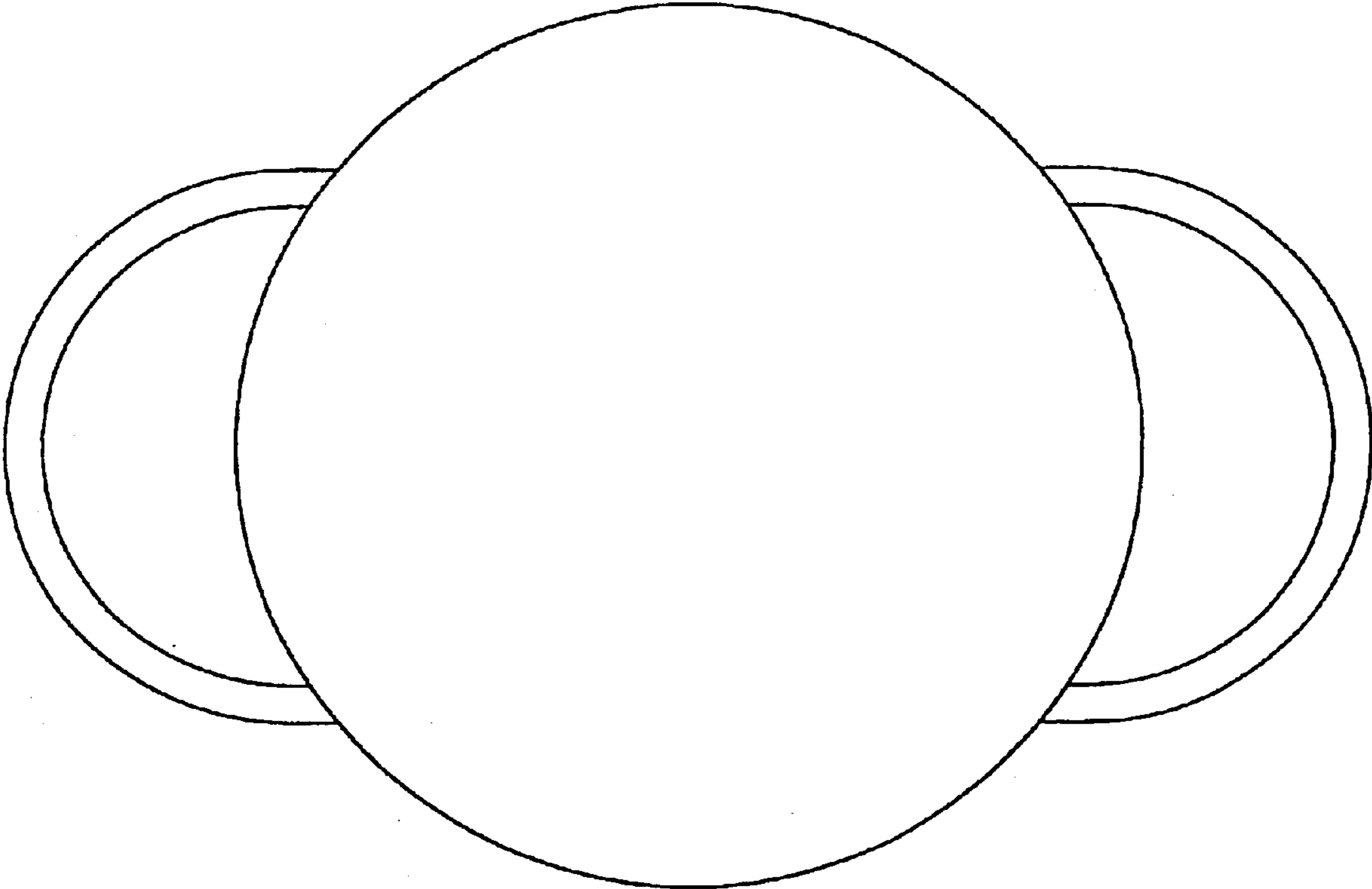


Fig. 8