

US00D492880S1

(12) **United States Design Patent**
Zepter

(10) **Patent No.:** **US D492,880 S**

(45) **Date of Patent:** **** Jul. 13, 2004**

(54) **PAN**

D470,712 S * 2/2003 Swinford et al. D7/360
D471,398 S * 3/2003 Swinford et al. D7/360

(76) **Inventor:** **Philip Zepter, 5, Avenue Saint Laurent,
MC 98 000 (MC)**

* cited by examiner

(**) **Term:** **14 Years**

Primary Examiner—Caron D. Veynar
(74) *Attorney, Agent, or Firm*—Notaro & Michalos PC

(21) **Appl. No.:** **29/177,185**

(22) **Filed:** **Mar. 5, 2003**

(57) **CLAIM**

The ornamental design for a pan, as shown and described.

(30) **Foreign Application Priority Data**

Sep. 6, 2002 (WO) DMA/005885

DESCRIPTION

(51) **LOC (7) Cl.** **07-02**

FIG. 1 is a top front left perspective view of a pan showing my new design therefor;

(52) **U.S. Cl.** **D7/360**

FIG. 2 is a front elevational view thereof, the rear view being identical;

(58) **Field of Search** D7/323, 354-361,
D7/393-395, 550.1, 554.1, 554.3; 99/324-347,
422-426; 220/571, 573.1-574, 912

FIG. 3 is a right-side elevational view thereof, the left being identical;

(56) **References Cited**

FIG. 4 is a bottom plan view thereof; and,

FIG. 5 is a top plan view thereof.

U.S. PATENT DOCUMENTS

D443,794 S * 6/2001 Garber et al. D7/360

1 Claim, 2 Drawing Sheets

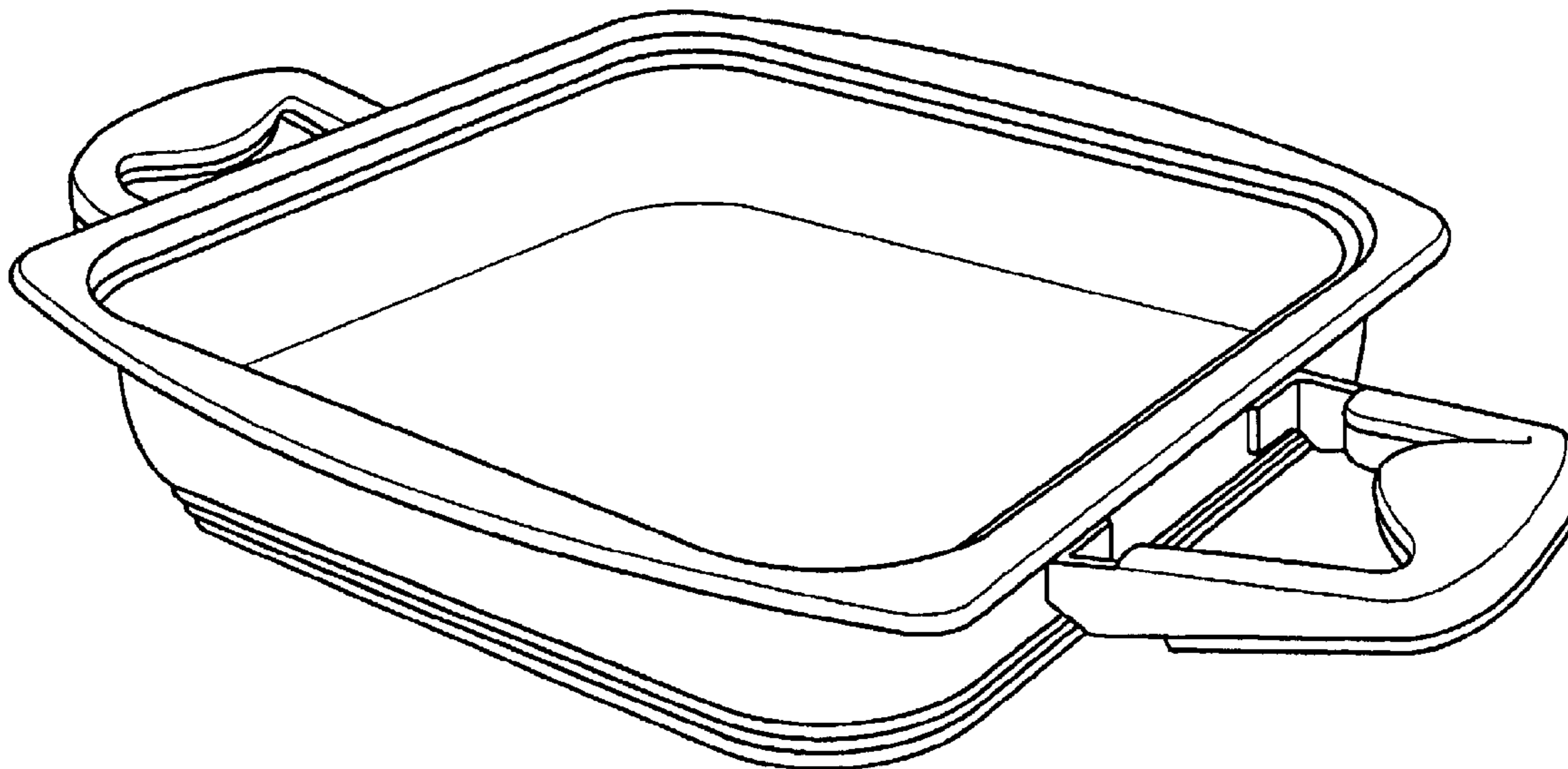


FIG. 1

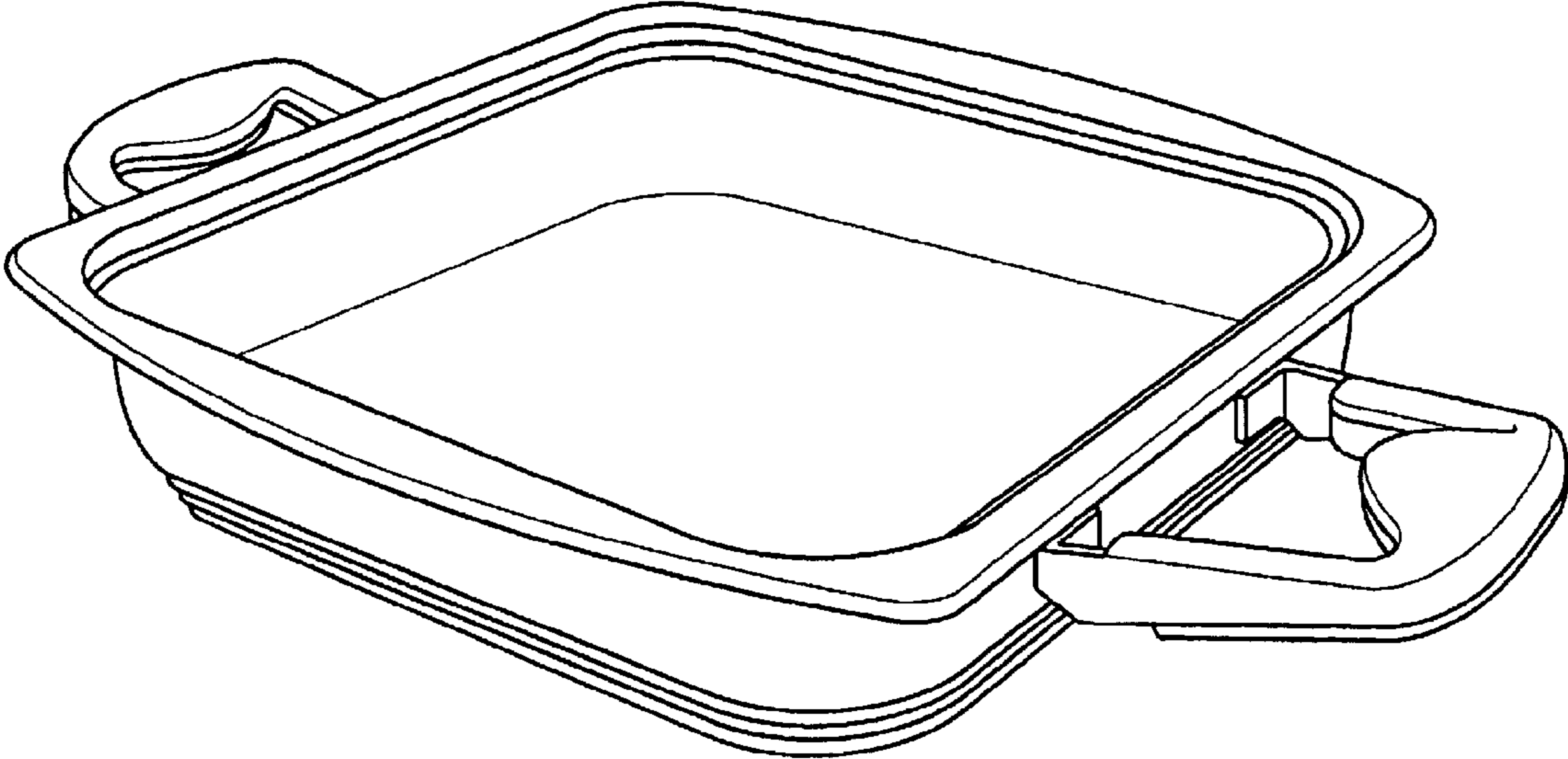


FIG. 2

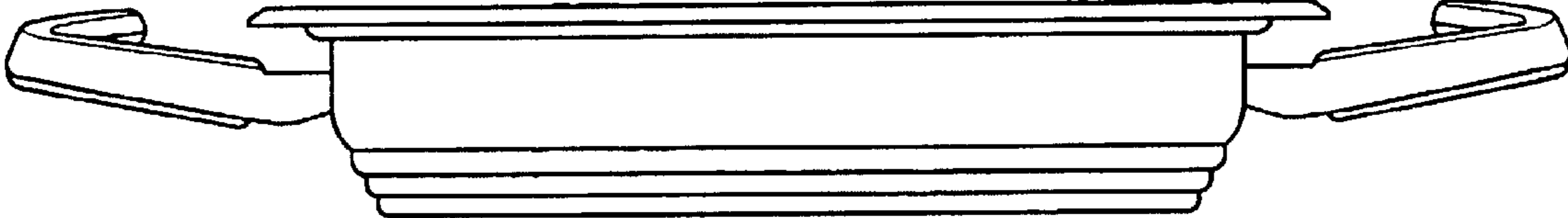


FIG. 3

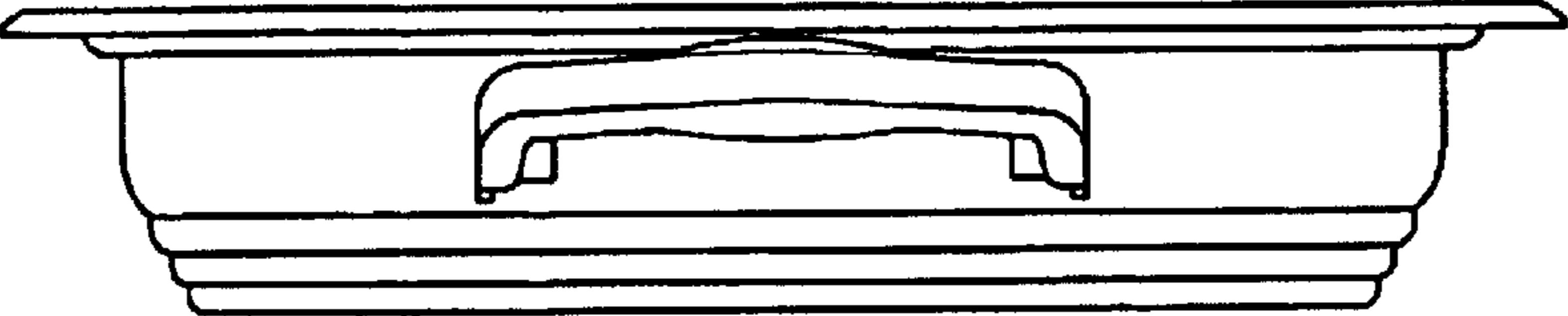


FIG. 4

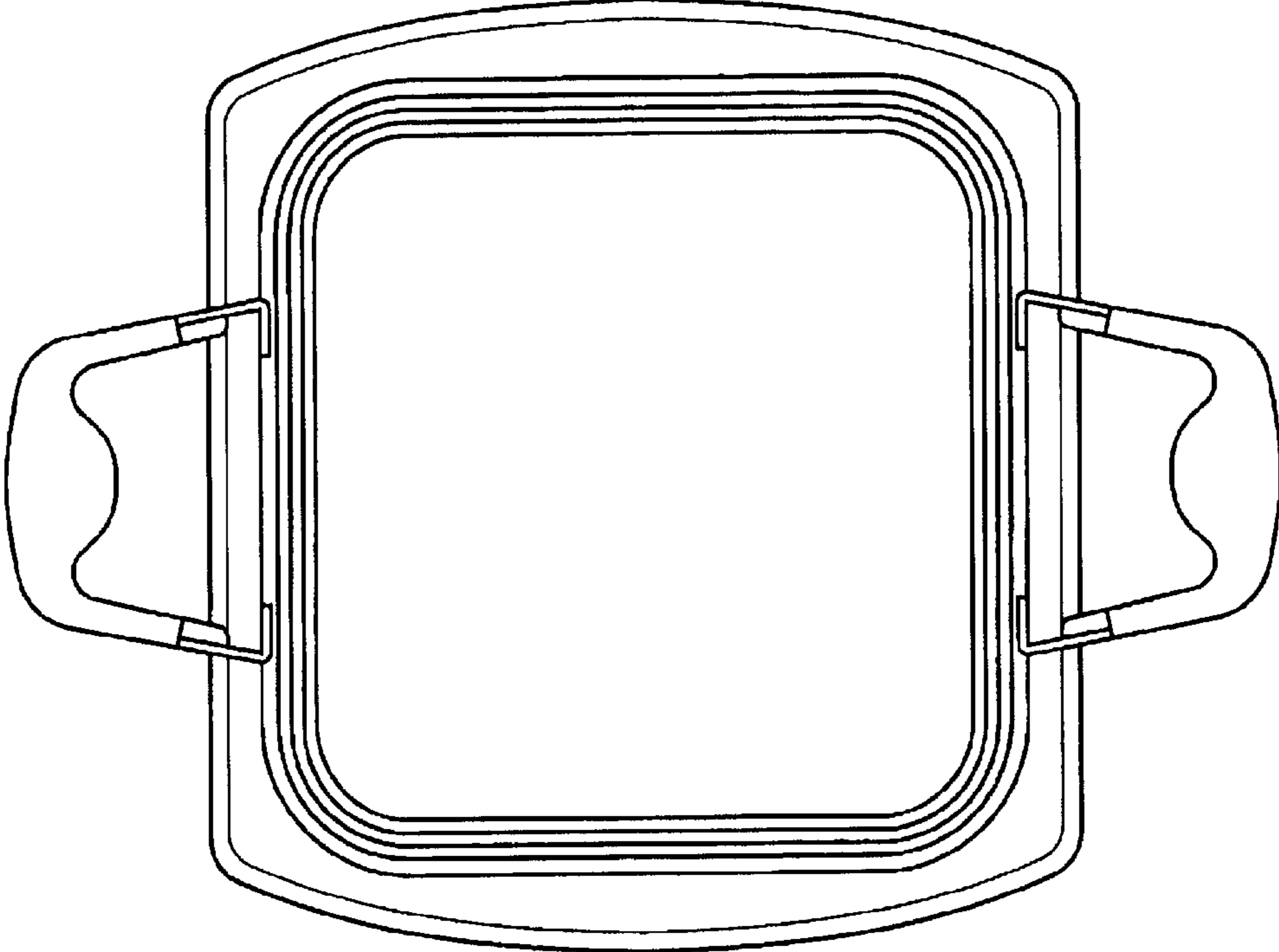


FIG. 5

