

US00D492877S1

(12) **United States Design Patent**  
**Weseman**

(10) **Patent No.:** **US D492,877 S**

(45) **Date of Patent:** **\*\* Jul. 13, 2004**

(54) **WATER COOLER**

(76) **Inventor:** **Steve Weseman, 2237 "F" St., Washougal, WA (US) 98671**

(\*\*) **Term:** **14 Years**

(21) **Appl. No.:** **29/195,346**

(22) **Filed:** **Dec. 9, 2003**

(51) **LOC (7) Cl.** ..... **07-01**

(52) **U.S. Cl.** ..... **D7/301; D7/313; D7/306**

(58) **Field of Search** ..... **D7/300, 301, 306, D7/307, 308, 312, 313; 222/156, 183; 150/154**

(56) **References Cited**

**U.S. PATENT DOCUMENTS**

D83,687 S	*	3/1931	Macready	.....	D7/306
D83,999 S	*	4/1931	Schmitt	.....	D7/306
D87,902 S	*	10/1932	Benn	.....	D7/306
D114,689 S	*	5/1939	Self	.....	D7/306
D172,708 S	*	7/1954	Freitag et al.	.....	D7/306
2,725,725 A	*	12/1955	Materese et al.	.....	62/397
D228,684 S	*	10/1973	Cannon et al.	.....	D7/306
4,664,349 A	*	5/1987	Johansen et al.	.....	248/150
4,779,426 A	*	10/1988	Desrosiers	.....	62/390
4,892,207 A	*	1/1990	Cullis	.....	215/398
D308,794 S	*	6/1990	Larson	.....	D7/307
D321,980 S	*	12/1991	Billet	.....	D7/305
D322,534 S	*	12/1991	Chaney	.....	D7/306
D350,453 S	*	9/1994	Chaney	.....	D7/306
5,356,046 A	*	10/1994	Burke	.....	222/156

D367,797 S	*	3/1996	Hauser, II et al.	.....	D7/307
D429,108 S	*	8/2000	Smith	.....	D7/306
D432,847 S	*	10/2000	Smith	.....	D7/306
D456,663 S	*	5/2002	Chew	.....	D7/306
D471,053 S	*	3/2003	Conti	.....	D7/301
D482,227 S	*	11/2003	Walton	.....	D7/306

\* cited by examiner

*Primary Examiner*—M. N. Pandozzi

(74) *Attorney, Agent, or Firm*—Kolisch Hartwell, P.C.

(57) **CLAIM**

I claim the ornamental design for a water cooler, as shown and described.

**DESCRIPTION**

FIG. 1 is a front view of a water cooler constructed in accordance with a preferred embodiment of the present invention;

FIG. 2 is a left side view of the water cooler of FIG. 1;

FIG. 3 is a right side view of the water cooler of FIG. 1;

FIG. 4 is a rear view of the water cooler of FIG. 1;

FIG. 5 is a top plan view of the water cooler of FIG. 1; and,

FIG. 6 is a bottom plan view of the water cooler of FIG. 1.

The broken lines shown in the drawings are for illustrative purposes only and form no part of the claimed design.

The shading lines shown in the drawings represent the approximate three-dimensional contour of the design, and are not intended to indicate surface decoration.

**1 Claim, 3 Drawing Sheets**

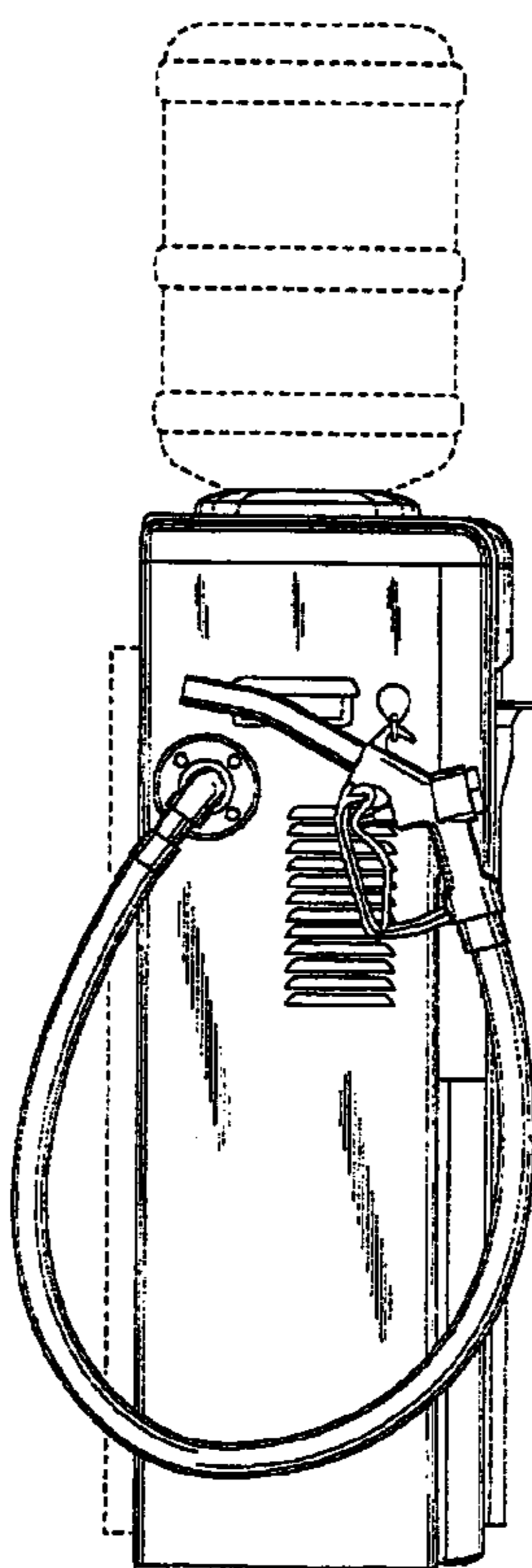


FIG. 1

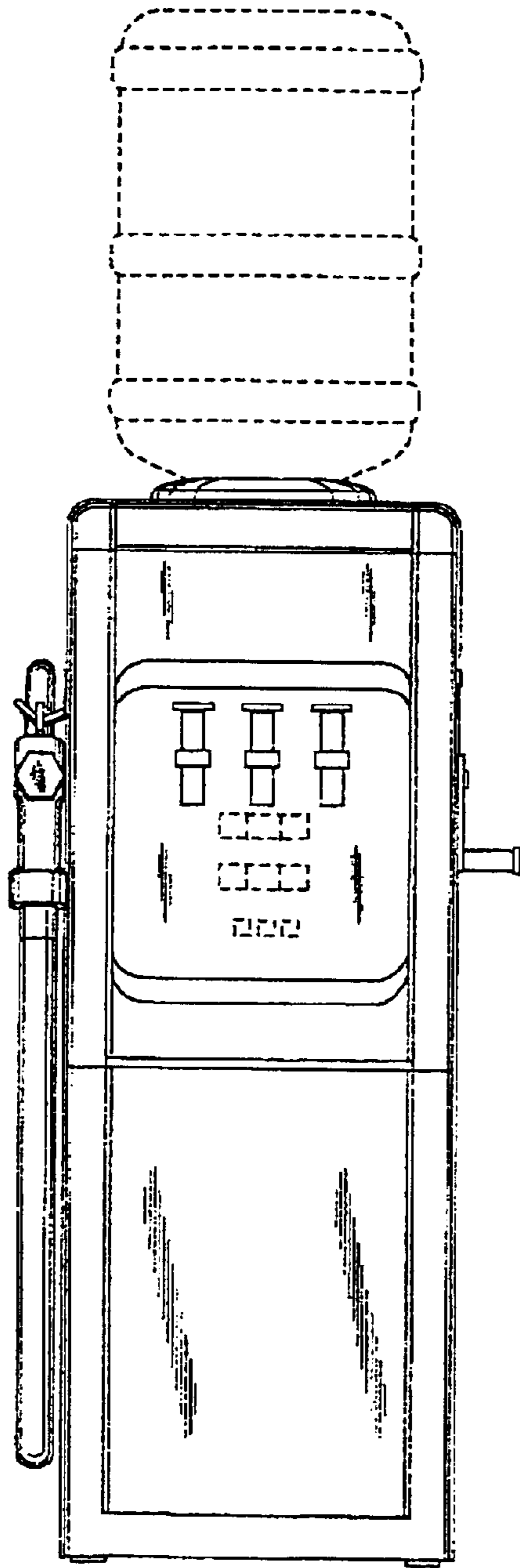


FIG. 2

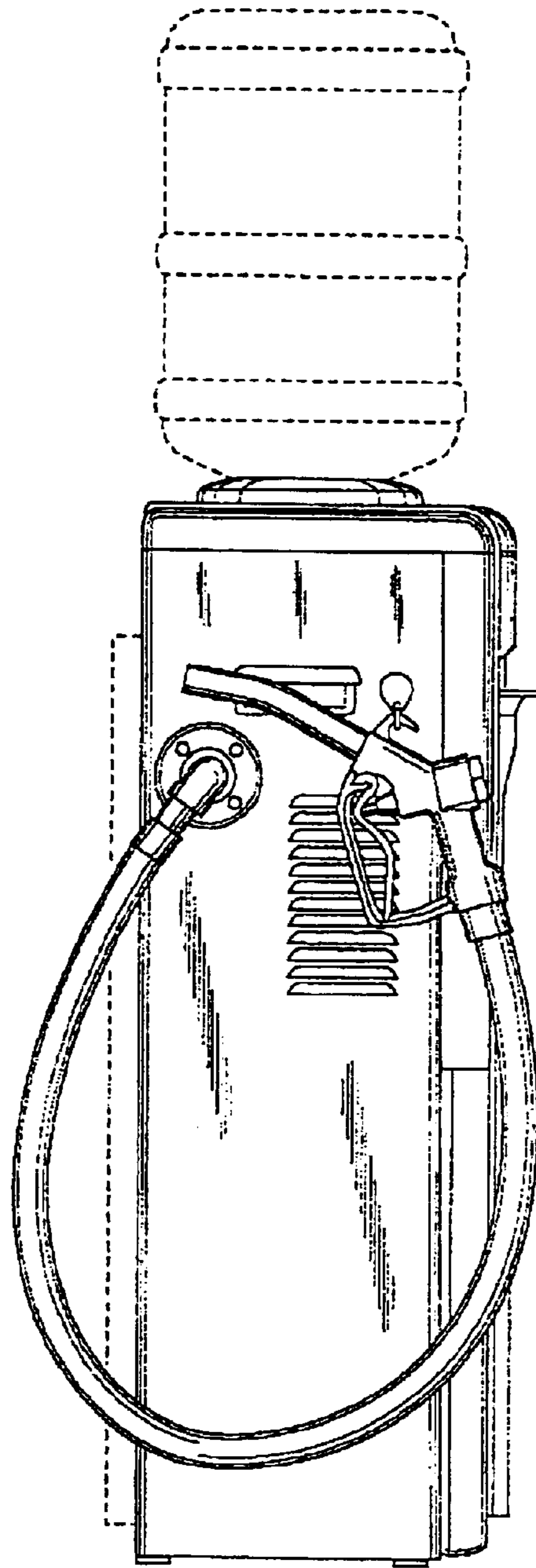


FIG. 3

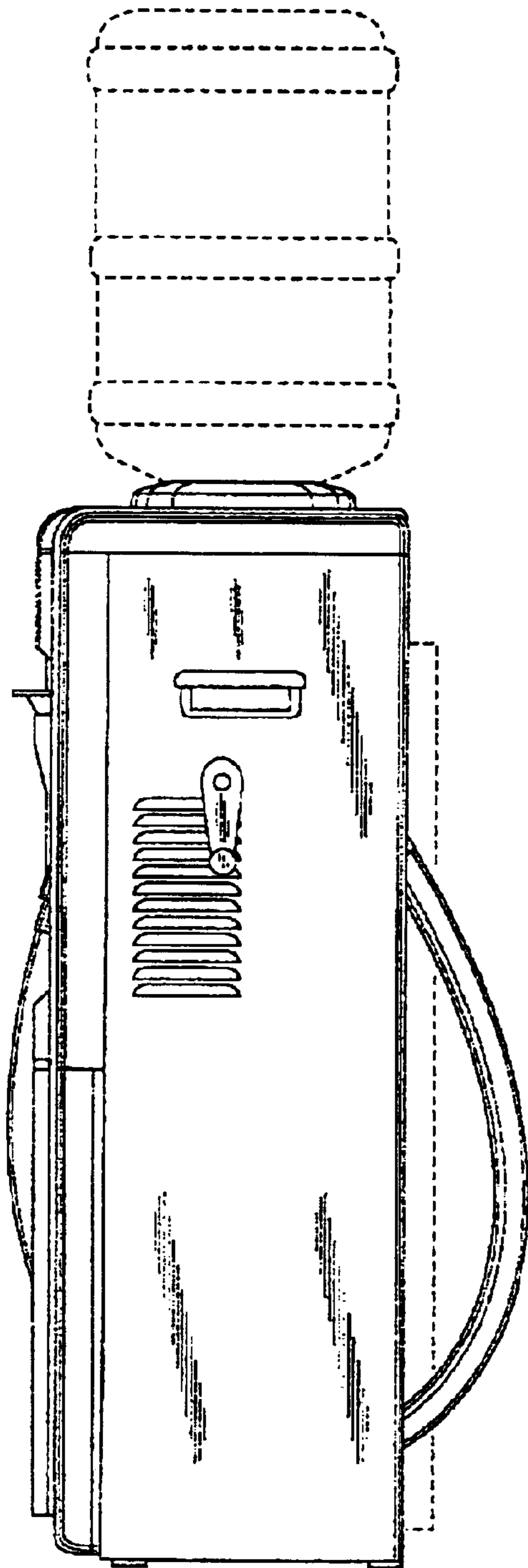


FIG. 4

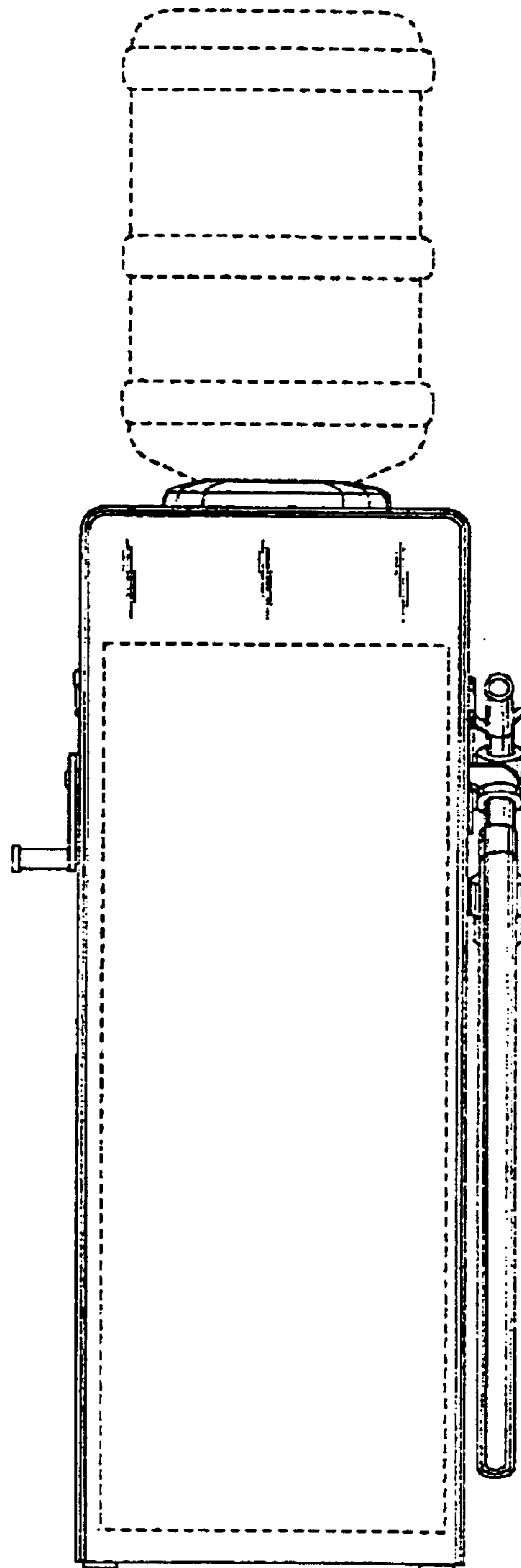


FIG. 5

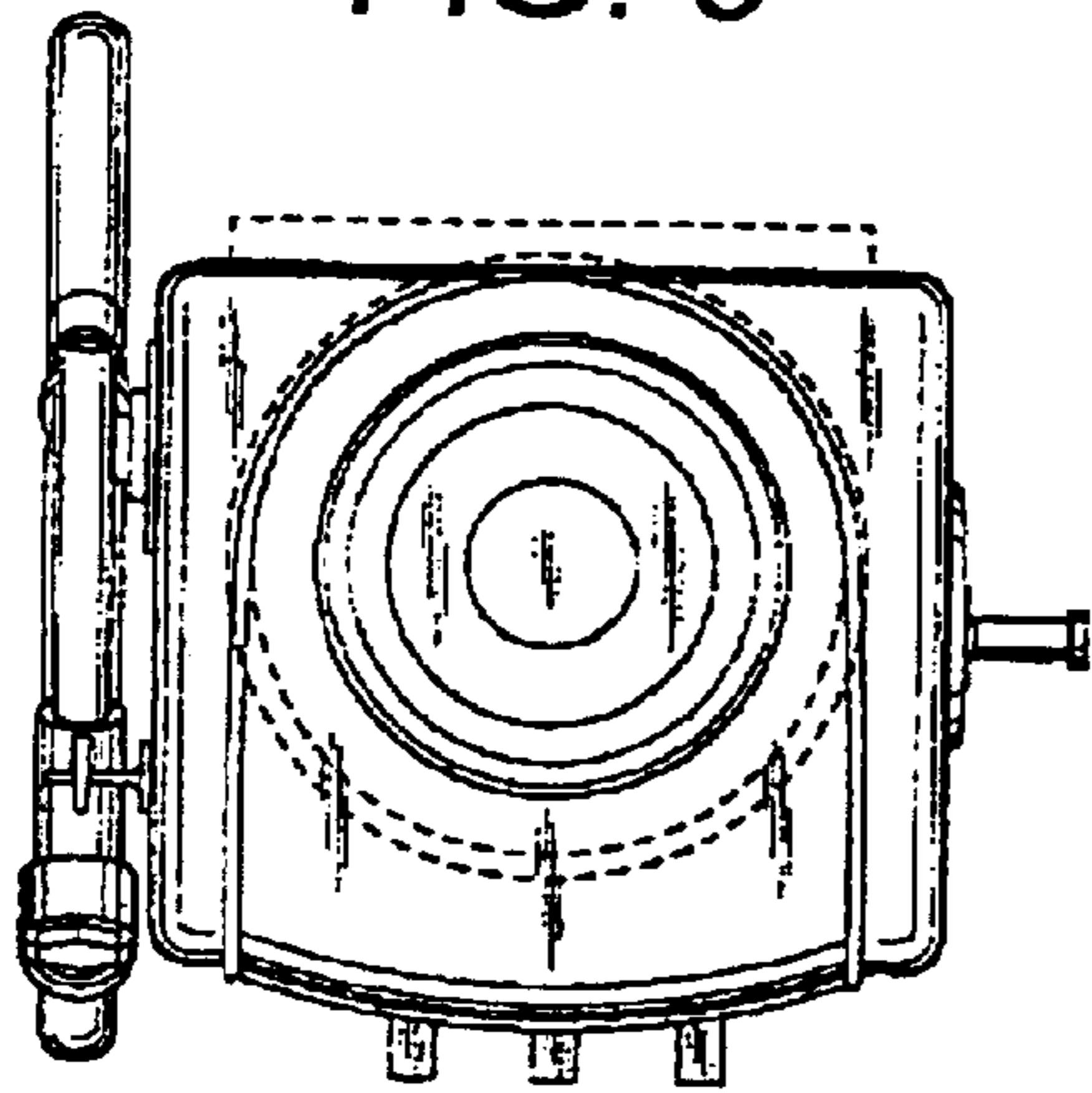


FIG. 6

