

US00D492876S1

(12) **United States Design Patent** (10) **Patent No.:** **US D492,876 S**
Goto (45) **Date of Patent:** **** Jul. 13, 2004**

(54) **CASE FOR OPTICAL DISK AND MEMORY CARD**

(75) Inventor: **Teiyu Goto**, Tokyo (JP)

(73) Assignee: **Sony Computer Entertainment Inc.**, Tokyo (JP)

(**) Term: **14 Years**

(21) Appl. No.: **29/170,040**

(22) Filed: **Oct. 31, 2002**

Related U.S. Application Data

(62) Division of application No. 29/123,707, filed on May 24, 2000.

(30) **Foreign Application Priority Data**

Dec. 28, 1999	(JP)	D11-37151
Jan. 12, 2000	(JP)	D2000-158
Jan. 12, 2000	(JP)	D2000-159
Jan. 12, 2000	(JP)	D2000-160
Jan. 12, 2000	(JP)	D2000-157

(51) **LOC (7) Cl.** **06-04**

(52) **U.S. Cl.** **D6/631; D6/407**

(58) **Field of Search** D3/201, 218; D6/407, D6/625-635; 206/307.1, 308.1, 308.2, 308.3, 309, 311, 312, 387.11, 387.12, 387.15; 369/37, 75.2, 291

(56) **References Cited**

U.S. PATENT DOCUMENTS

D226,146	S	1/1973	Price
D245,454	S	8/1977	Feingold et al.
4,518,275	A	5/1985	Rauch, III et al.
D280,951	S	10/1985	Holland
D281,056	S	10/1985	Tour
D288,983	S	3/1987	Juhas et al.
4,718,550	A	1/1988	Johnson
D318,368	S	7/1991	Evans
D324,337	S	3/1992	Brady
D335,215	S	5/1993	Stumpff
D342,379	S	12/1993	Taniyama

5,285,893	A	*	2/1994	Misterka et al.	206/310
D347,320	S		5/1994	Corday		
5,344,039	A		9/1994	Taniyama		
D358,961	S		6/1995	Lax		
D363,632	S		10/1995	Ohta		
D366,802	S		2/1996	Roberts et al.		
D375,015	S		10/1996	Kobayashi et al.		
D377,731	S		2/1997	Fernandez		
D378,333	S		3/1997	Anderson		
5,769,217	A		6/1998	Derraugh et al.		
5,788,068	A		8/1998	Fraser et al.		
5,899,327	A	*	5/1999	Sykes	206/307.1
5,944,181	A		8/1999	Lau		
D420,240	S		2/2000	Sorenson et al.		
D433,266	S		11/2000	Peterson et al.		
6,164,446	A		12/2000	Law		
D440,108	S		4/2001	Derman		
6,227,362	B1		5/2001	Cheung		
6,237,763	B1		5/2001	Lau		

(List continued on next page.)

FOREIGN PATENT DOCUMENTS

GB	2055033	B1	9/1999
JP	07-934771	B1	9/1995

Primary Examiner—Celia A. Murphy
(74) *Attorney, Agent, or Firm*—Rader, Fishman & Grauer, PLLC

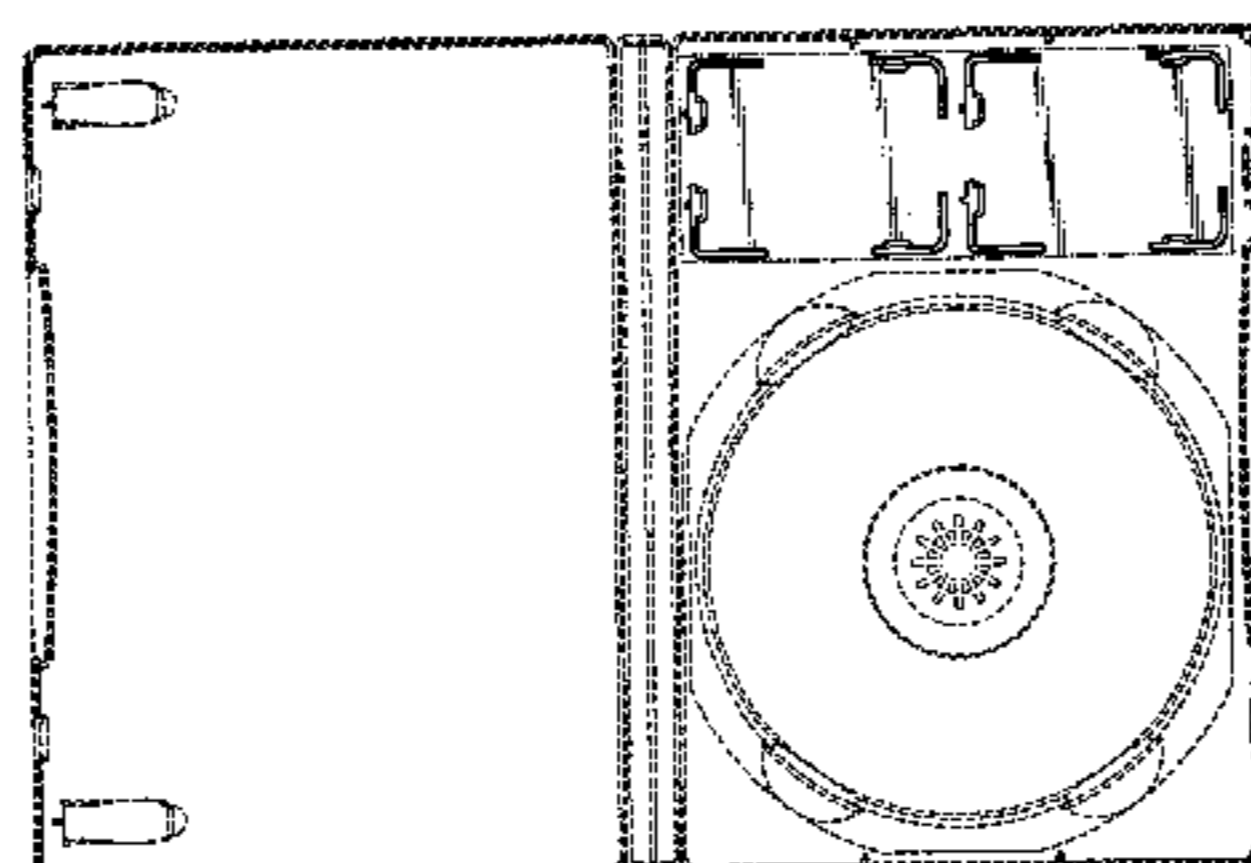
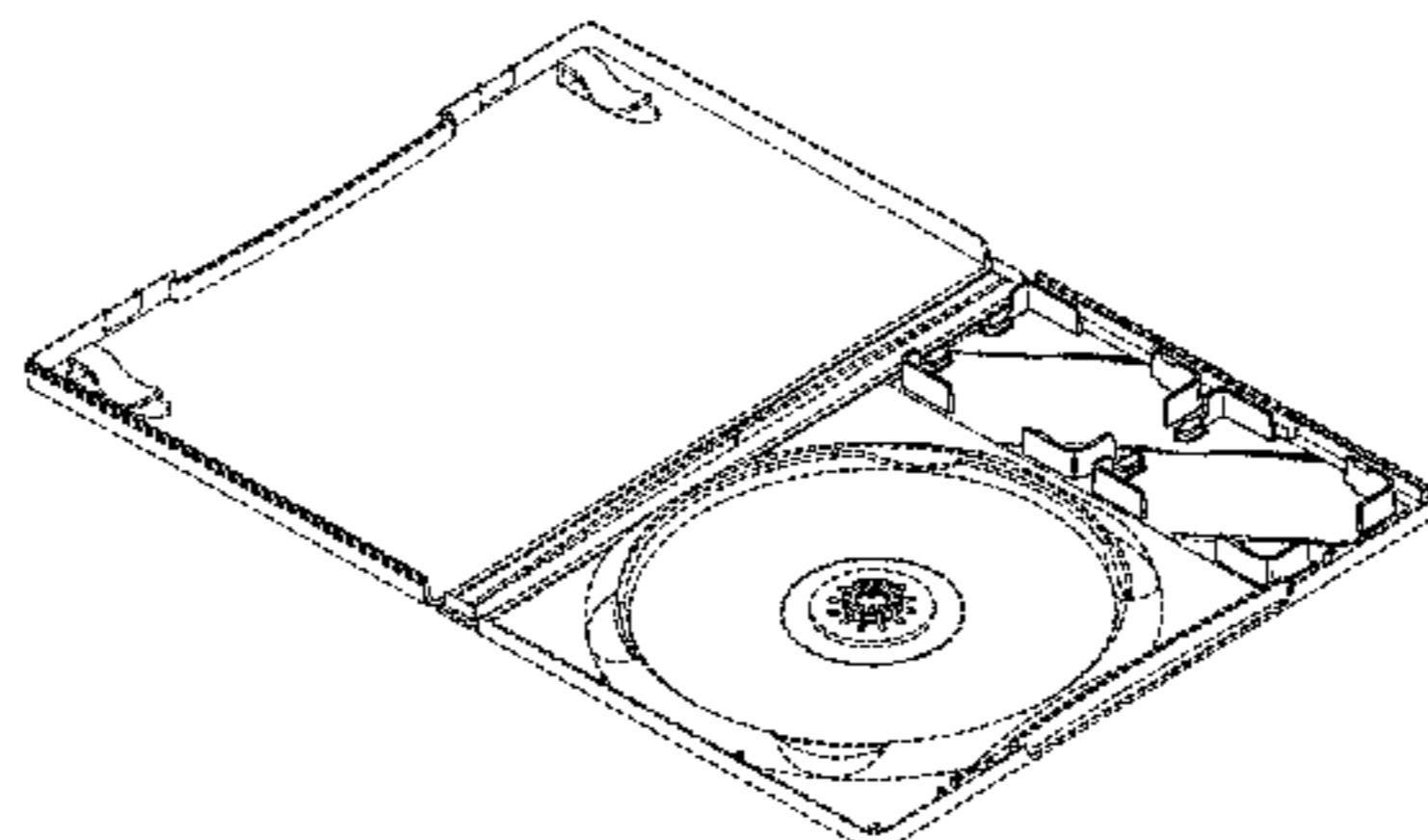
(57) **CLAIM**

The ornamental design for a case for an optical disk and memory card, as shown.

DESCRIPTION

FIG. 1 is a perspective view of a case for an optical disk and memory card, particularly a portion where a memory card is to be positioned, showing my new design; FIG. 2 is a front elevational view thereof; FIG. 3 is a rear elevational view thereof; and, FIG. 4 is a rear elevational view thereof, wherein the case is in the closed position. Portions in broken lines are for illustrative purposes only and form no part of claimed design.

1 Claim, 4 Drawing Sheets



US D492,876 S

Page 2

U.S. PATENT DOCUMENTS			
		D474,935 S *	5/2003 Goto D6/631
		6,626,289 B2 *	9/2003 Nagata et al. 206/307.1
		2001/0021167 A1 *	9/2001 Kutaragi et al. 369/291
6,293,396 B1	9/2001	Takahashi et al.	
D455,312 S *	4/2002	Myszka et al.	D6/629
D469,295 S *	1/2003	Ten Brink et al.	D6/634
			* cited by examiner

FIG. 1

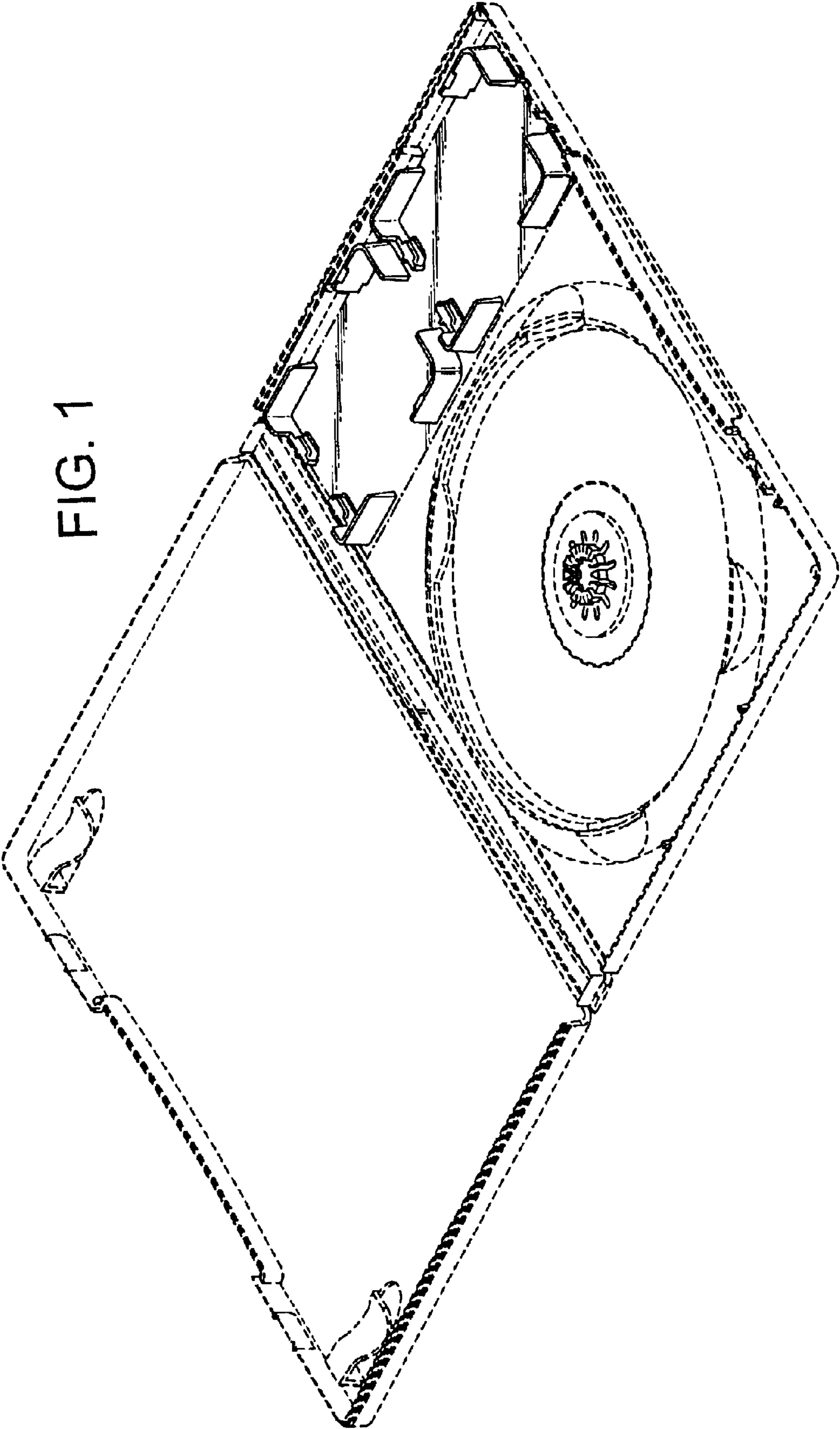


FIG. 2

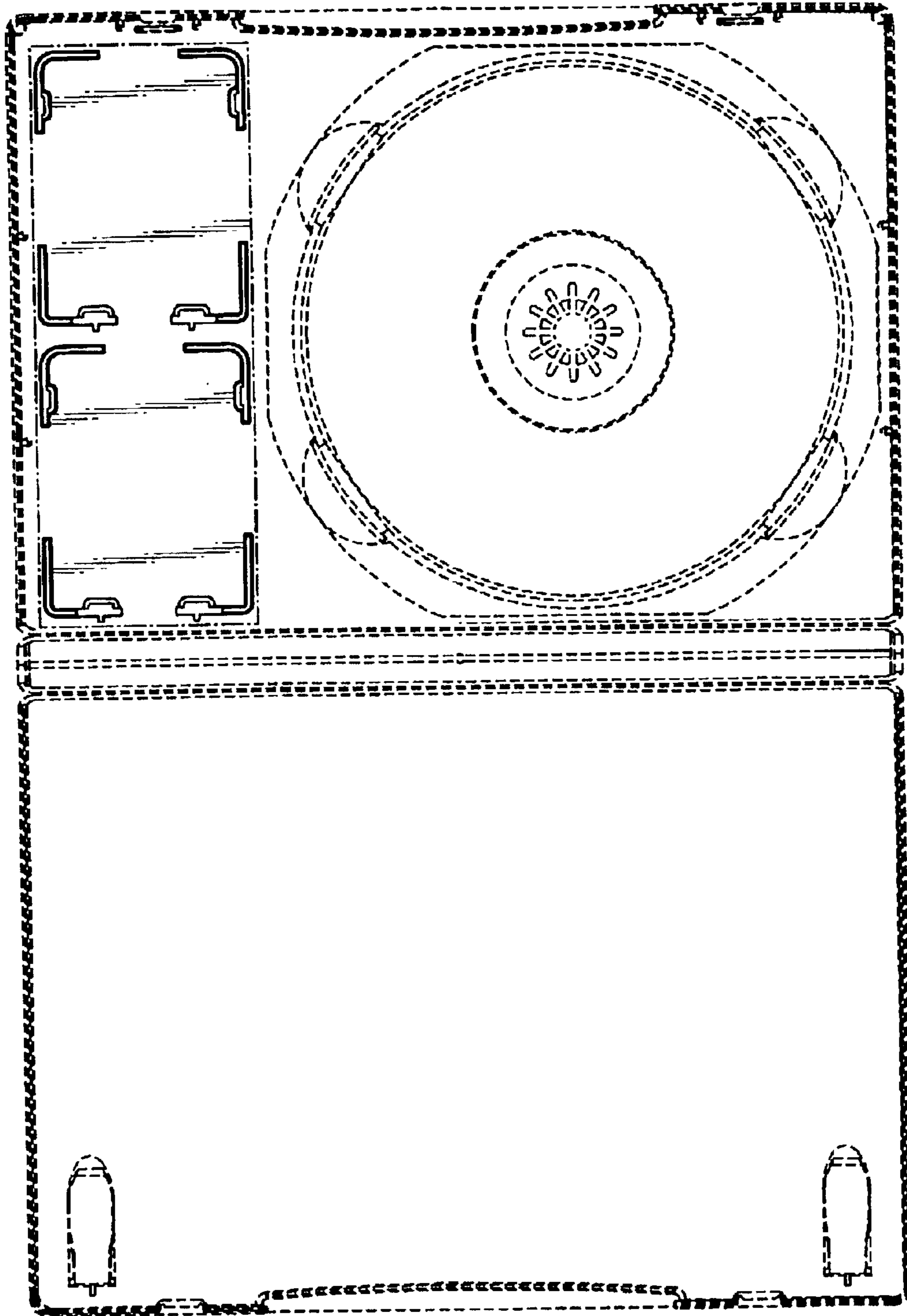


FIG. 3

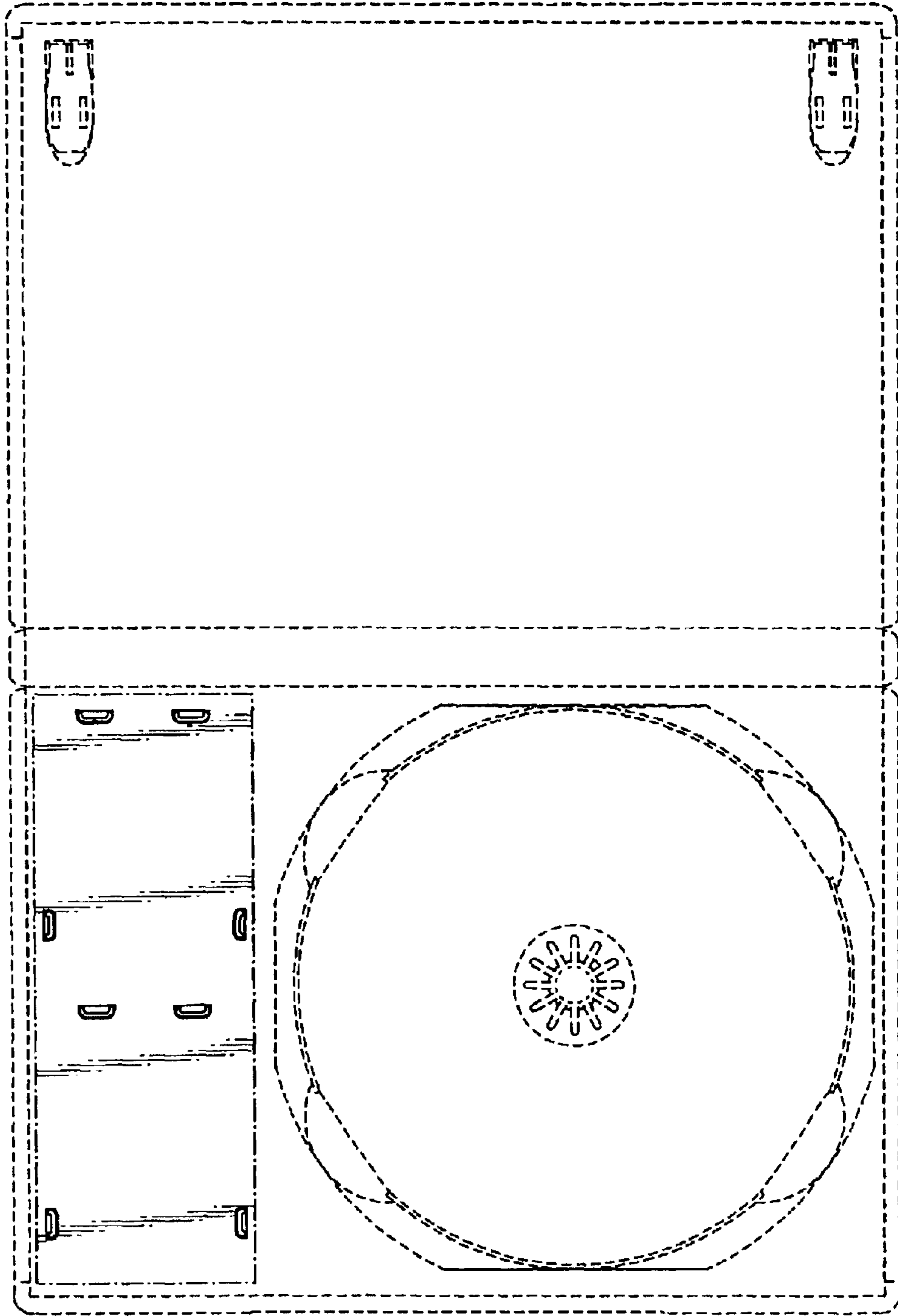
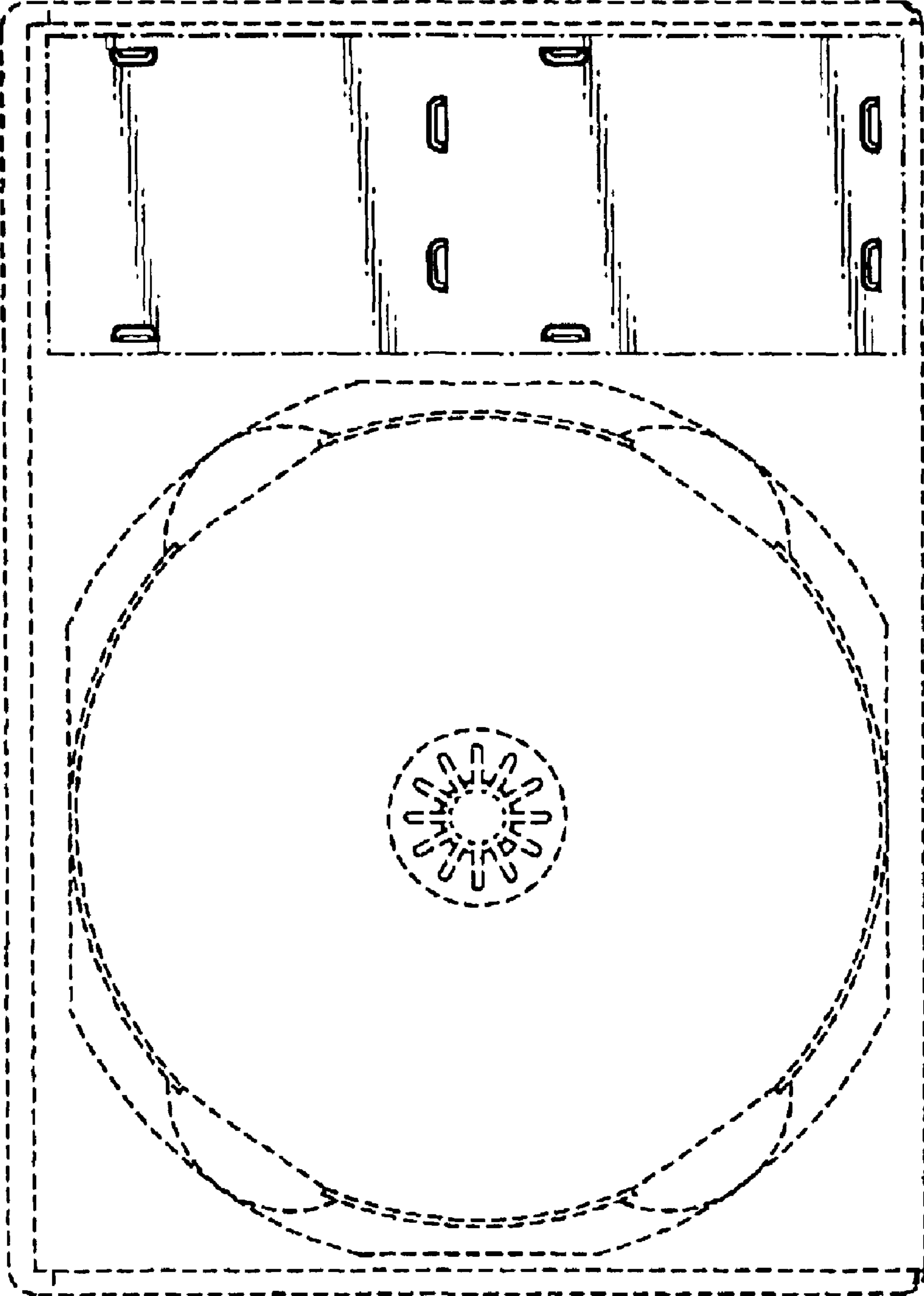


FIG. 4



UNITED STATES PATENT AND TRADEMARK OFFICE
CERTIFICATE OF CORRECTION

PATENT NO. : Des. 492,876 S
APPLICATION NO. : 29/170040
DATED : July 13, 2004
INVENTOR(S) : Teiyu Goto

Page 1 of 6

It is certified that error appears in the above-identified patent and that said Letters Patent is hereby corrected as shown below:

On Title Page Replace Print Fig as shown on attached page
Please replace the drawings of Figure 1 as shown on attached page.
Please replace the drawings of Figure 2 as shown on attached page.
Please replace the drawings of Figure 3 as shown on attached page.
Please replace the drawings of Figure 4 as shown on attached page.

Signed and Sealed this

Ninth Day of January, 2007

A handwritten signature in black ink on a light gray dotted background. The signature reads "Jon W. Dudas" in a cursive style.

JON W. DUDAS

Director of the United States Patent and Trademark Office

(12) **United States Design Patent** (10) Patent No.: **US D492,876 S**
Goto (45) Date of Patent: **** Jul. 13, 2004**

(54) **CASE FOR OPTICAL DISK AND MEMORY CARD**
 (75) Inventor: **Teiyu Goto, Tokyo (JP)**
 (73) Assignee: **Sony Computer Entertainment Inc., Tokyo (JP)**
 (**) Term: **14 Years**
 (21) Appl. No.: **29/170,040**
 (22) Filed: **Oct. 31, 2002**

5,285,893 A * 2/1994 Mistecka et al. 206/310
 D347,320 S 5/1994 Corday
 5,344,039 A 9/1994 Taniyama
 D358,961 S 6/1995 Lax
 D363,632 S 10/1995 Ohta
 D366,802 S 2/1996 Roberts et al.
 D375,015 S 10/1996 Kobayashi et al.
 D377,731 S 2/1997 Fernandez
 D378,333 S 3/1997 Anderson
 5,769,217 A 6/1998 Derrough et al.
 5,788,058 A 8/1998 Fraser et al.
 5,899,327 A * 5/1999 Sykes 206/307.1
 5,944,181 A 8/1999 Lau
 D420,240 S 2/2000 Sorenson et al.
 D433,265 S 11/2000 Peterson et al.
 6,164,446 A 12/2000 Law
 D440,108 S 4/2001 Derman
 6,227,362 B1 5/2001 Cheung
 6,237,763 B1 5/2001 Lau

Related U.S. Application Data

(62) Division of application No. 29/123,707, filed on May 24, 2000.

(30) **Foreign Application Priority Data**

Dec. 28, 1999 (JP) D11-37151
 Jan. 12, 2000 (JP) D2000-158
 Jan. 12, 2000 (JP) D2000-159
 Jan. 12, 2000 (JP) D2000-160
 Jan. 12, 2000 (JP) D2000-157

(List continued on next page.)

FOREIGN PATENT DOCUMENTS

GB 2055033 B1 9/1999
 JP 07-934771 B1 9/1995

Primary Examiner—Celia A. Murphy
 (74) Attorney, Agent, or Firm—Rader, Fishman & Grauer, PLLC

(51) **LOC (7) Cl.** 06-04
 (52) **U.S. Cl.** D6/631; D6/407
 (58) **Field of Search** D3/201, 218; D6/407, D6/625-635; 206/307.1, 308.1, 308.2, 308.3, 309, 311, 312, 387.11, 387.12, 387.15; 369/37, 75.2, 291

(57) **CLAIM**

The ornamental design for a case for an optical disk and memory card, as shown.

(56) **References Cited**

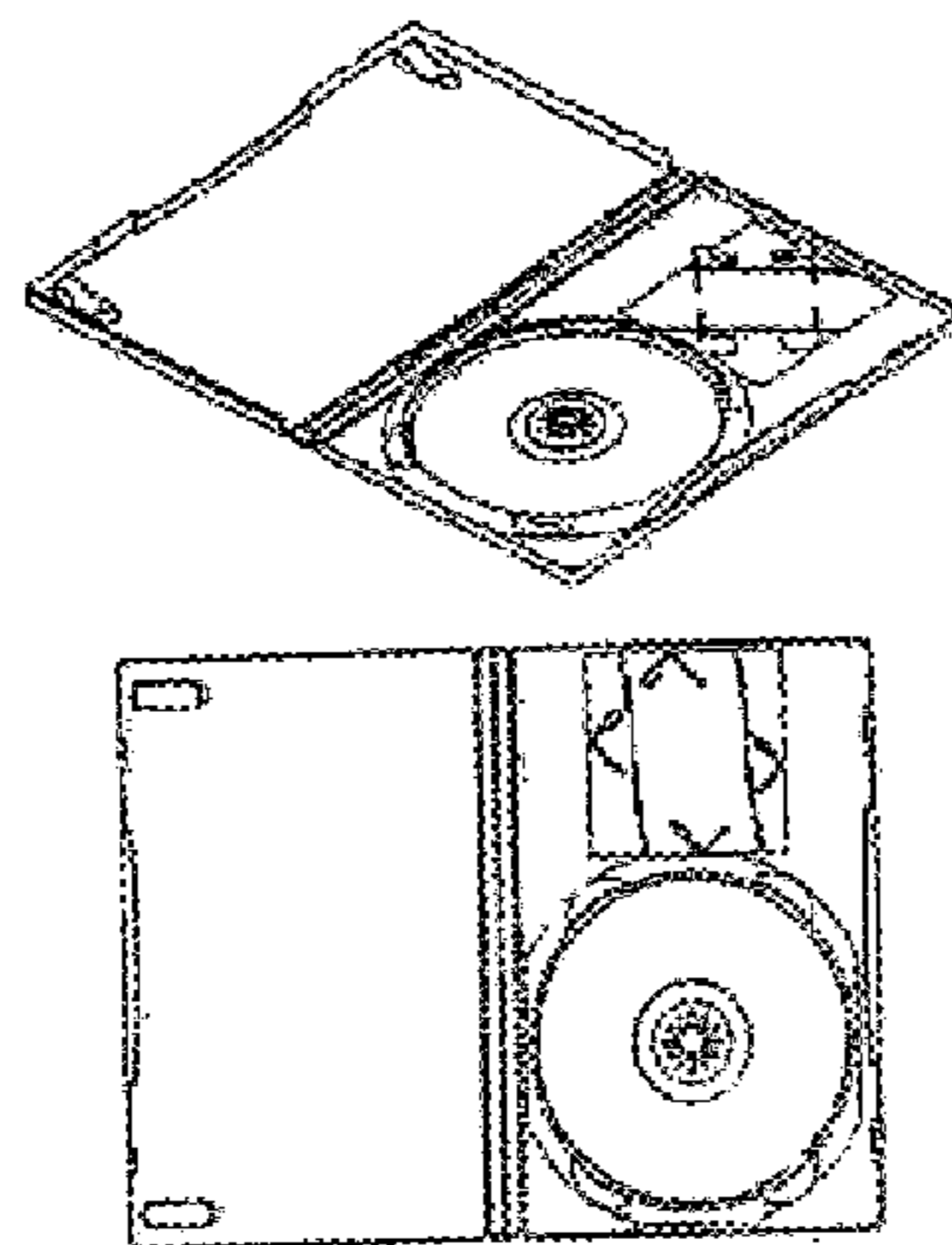
U.S. PATENT DOCUMENTS

D226,146 S 1/1973 Price
 D245,454 S 8/1977 Feingold et al.
 4,518,275 A 5/1985 Rauch, III et al.
 D280,951 S 10/1985 Holland
 D281,056 S 10/1985 Tour
 D288,983 S 3/1987 Juhas et al.
 4,718,550 A 1/1988 Johnson
 D318,368 S 7/1991 Evans
 D324,337 S 3/1992 Brady
 D335,215 S 5/1993 Stampff
 D342,379 S 12/1993 Taniyama

DESCRIPTION

FIG. 1 is a perspective view of a case for an optical disk and memory card, particularly a portion where a memory card is to be positioned, showing my new design;
 FIG. 2 is a front elevational view thereof;
 FIG. 3 is a rear elevational view thereof; and,
 FIG. 4 is a rear elevational view thereof, wherein the case is in the closed position.
 Portions in broken lines are for illustrative purposes only and form no part of claimed design.

1 Claim, 4 Drawing Sheets



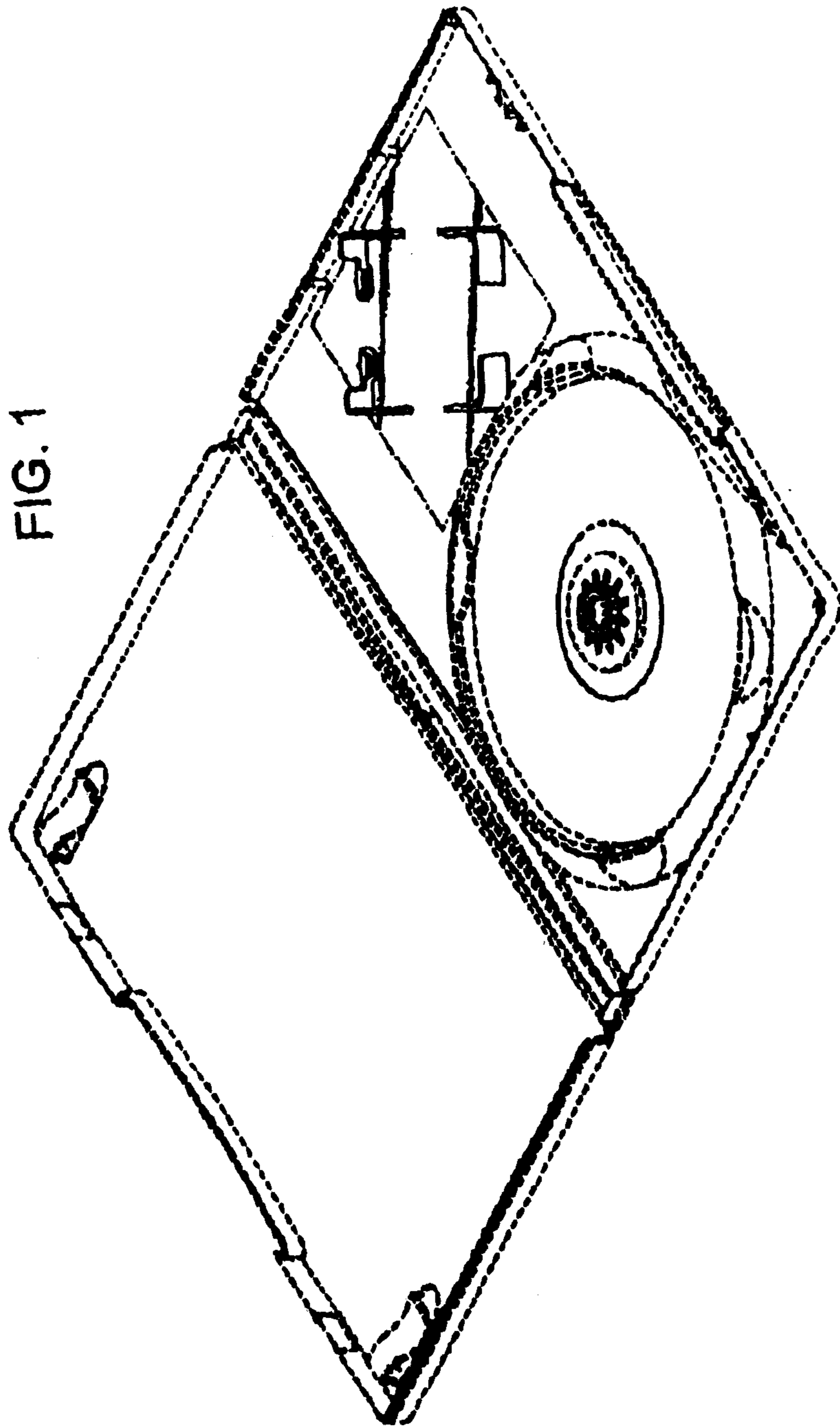


FIG. 2

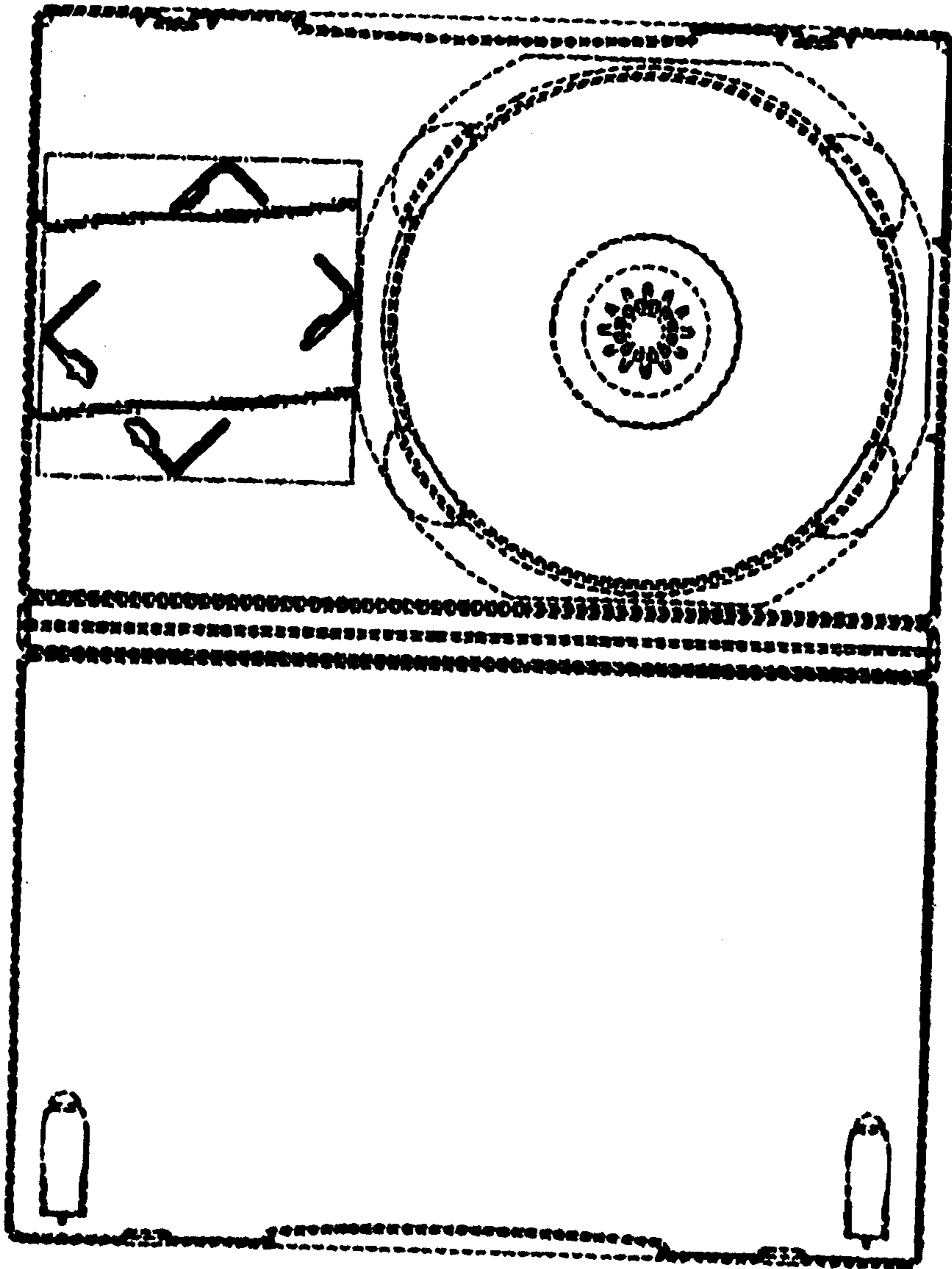


FIG. 3

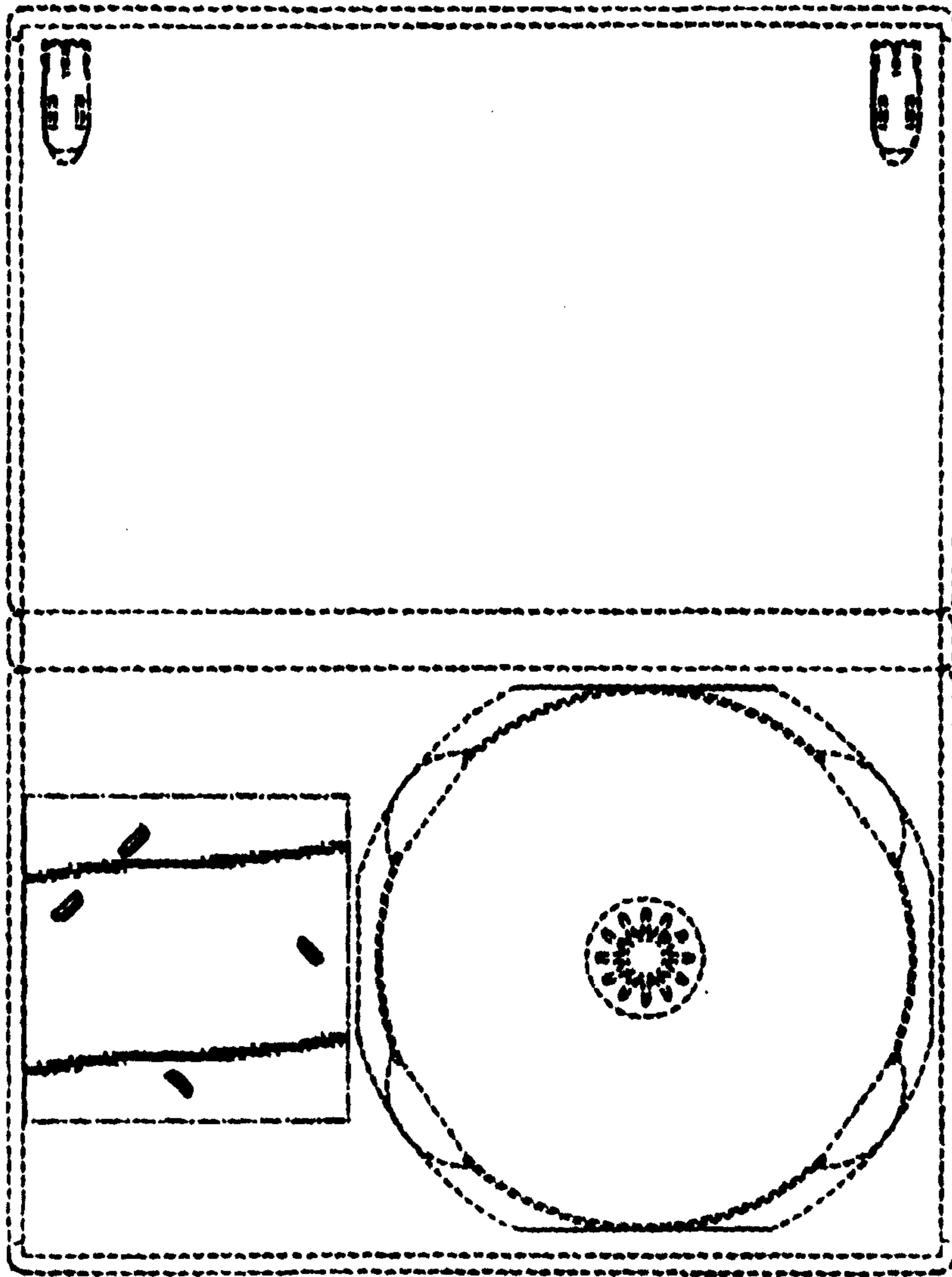


FIG. 4

