

US00D492872S1

(12) **United States Design Patent**  
**Graves et al.**

(10) **Patent No.:** **US D492,872 S**  
(45) **Date of Patent:** **\*\* Jul. 13, 2004**

(54) **SHELF**

(75) Inventors: **Michael Graves**, Princeton, NJ (US);  
**Donald Strum**, Princeton, NJ (US);  
**William Harrington**, Princeton, NJ  
(US); **Scott Doty**, Cranbury, NJ (US)

(73) Assignee: **Masco Corporation of Indiana**,  
Indianapolis, IN (US)

(\*\*) Term: **14 Years**

(21) Appl. No.: **29/185,362**

(22) Filed: **Jun. 26, 2003**

(51) **LOC (7) Cl.** ..... **06-04**

(52) **U.S. Cl.** ..... **D6/574**

(58) **Field of Search** ..... D6/553, 567, 572,  
D6/574; 108/28-29; 248/235, 309.1; 211/13.1,  
42, 71.01, 86.01, 88.01, 88.03, 90.01, 90.03,  
126.1, 133.5, 134, 153, 182

(56) **References Cited**

**U.S. PATENT DOCUMENTS**

4,898,355 A \* 2/1990 Steinway ..... 248/235

D358,733 S \* 5/1995 Paul ..... D6/574  
D476,840 S \* 7/2003 Hoernig ..... D6/574  
D477,490 S \* 7/2003 Hoernig ..... D6/574

\* cited by examiner

*Primary Examiner*—Brian N. Vinson  
(74) *Attorney, Agent, or Firm*—Kwadjo Adusei-Poku;  
Lloyd D. Doigan

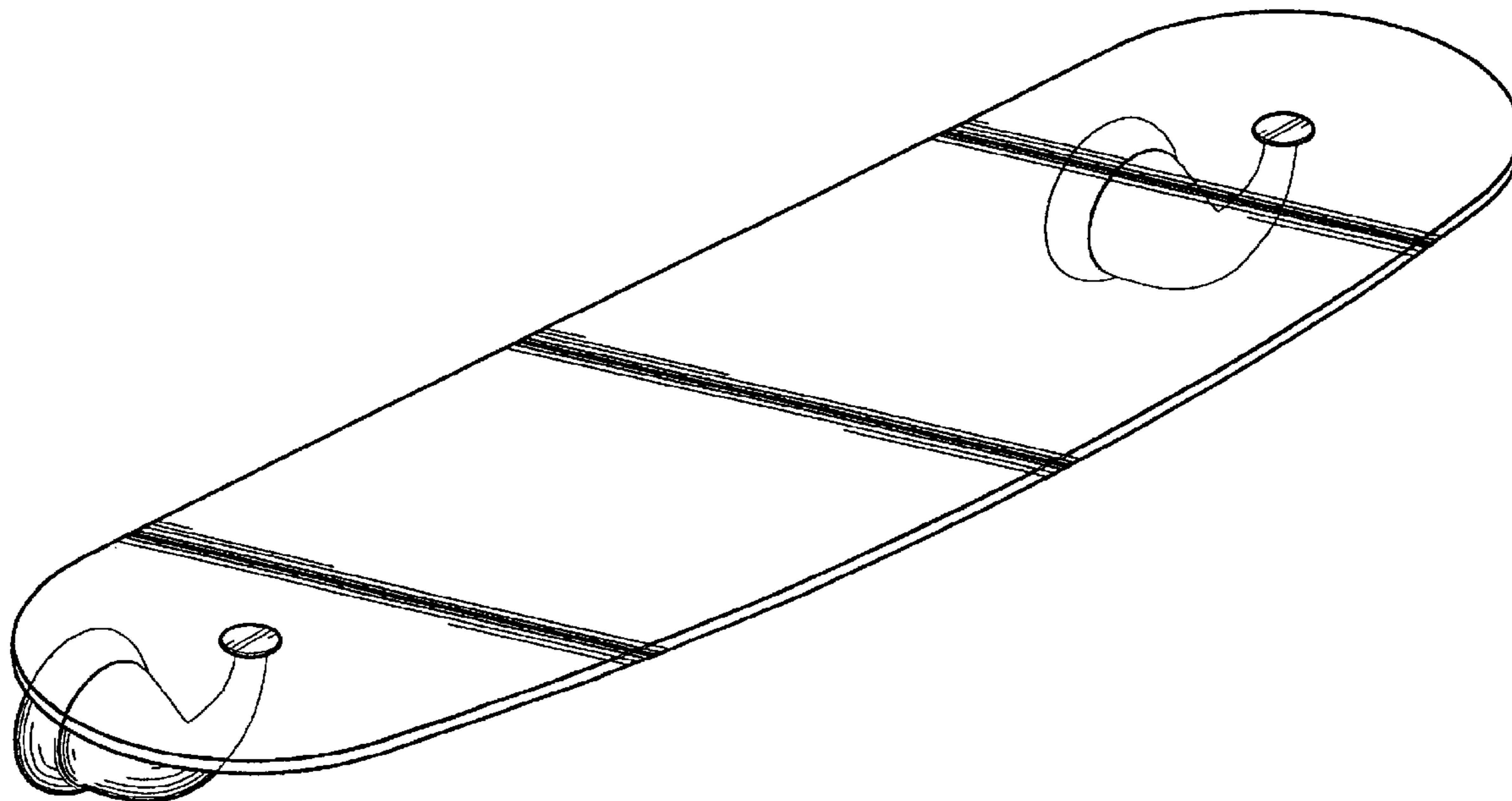
(57) **CLAIM**

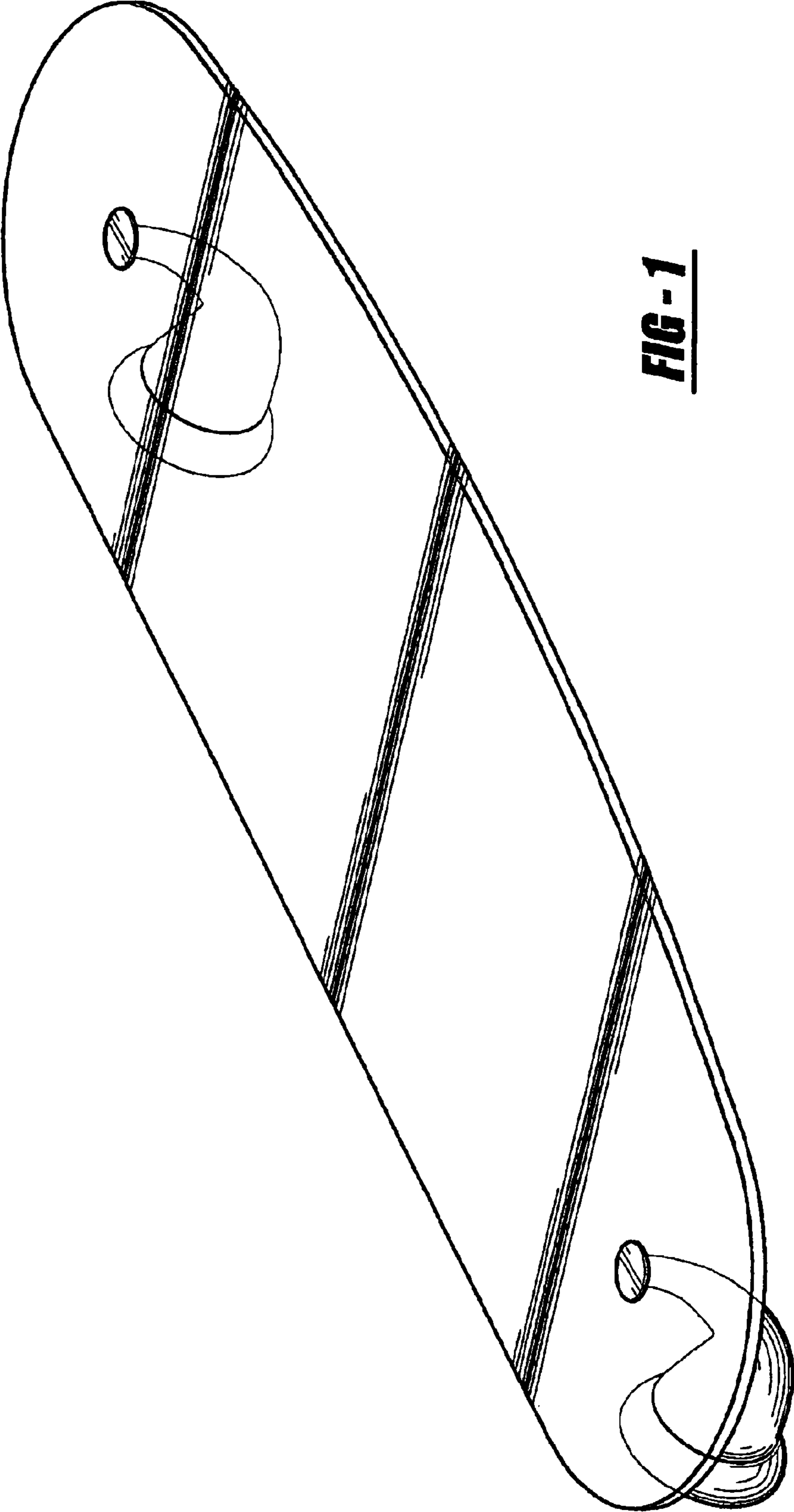
The ornamental design for a shelf, as shown and described.

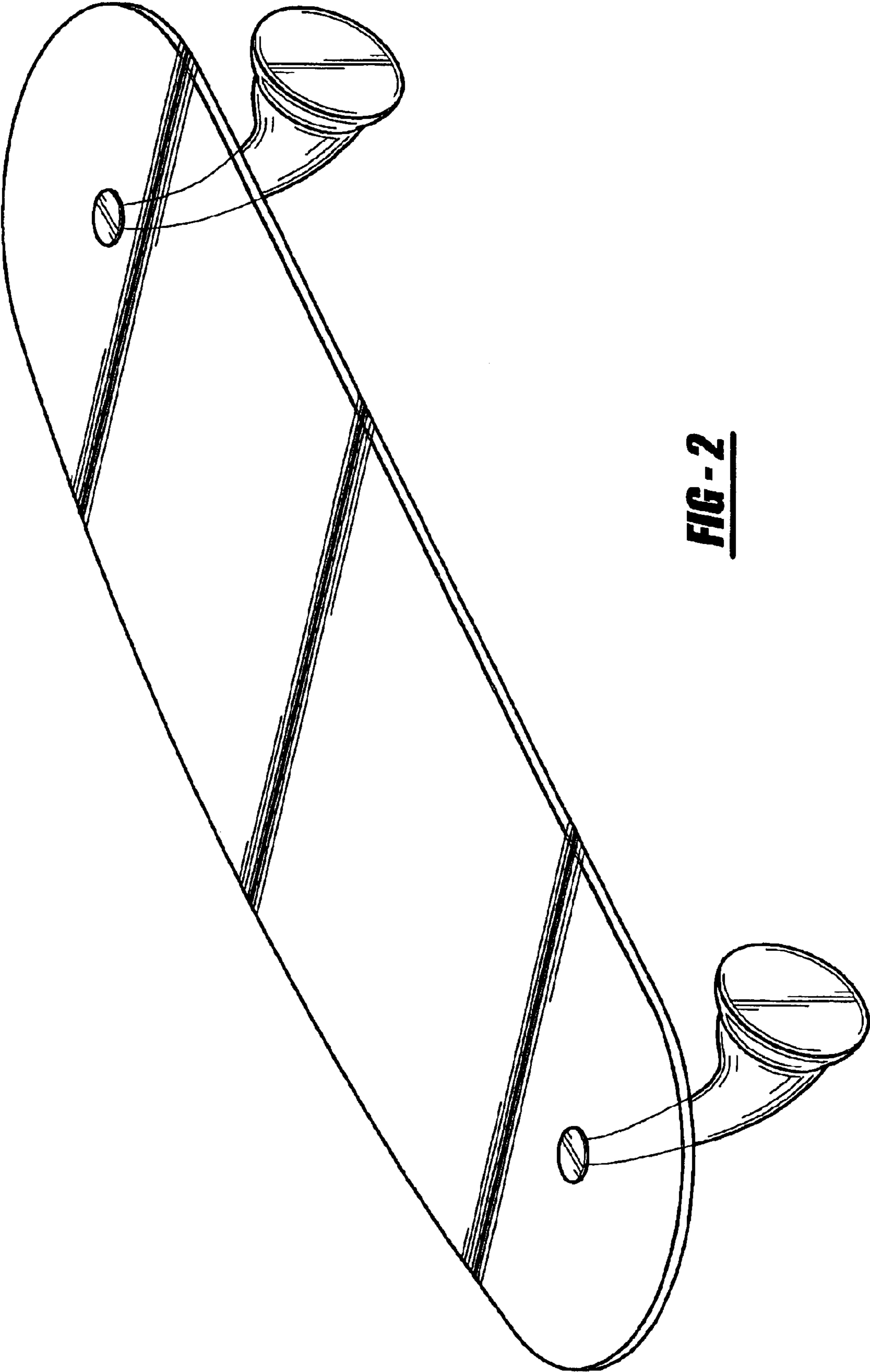
**DESCRIPTION**

FIG. 1 is a top perspective view of a shelf showing our new design;  
FIG. 2 is a rear perspective view thereof;  
FIG. 3 is a top plan view thereof;  
FIG. 4 is a right side elevational view thereof;  
FIG. 5 is a front elevational view thereof;  
FIG. 6 is a left side elevational view thereof;  
FIG. 7 is a bottom plan view thereof; and,  
FIG. 8 is a rear elevational view thereof.

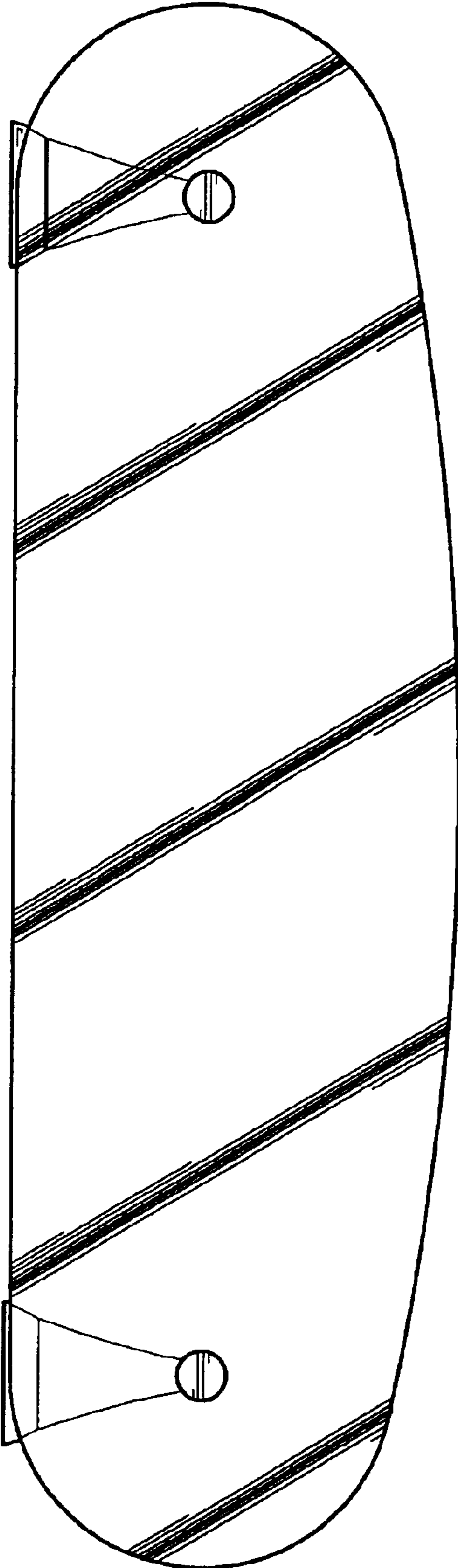
**1 Claim, 5 Drawing Sheets**







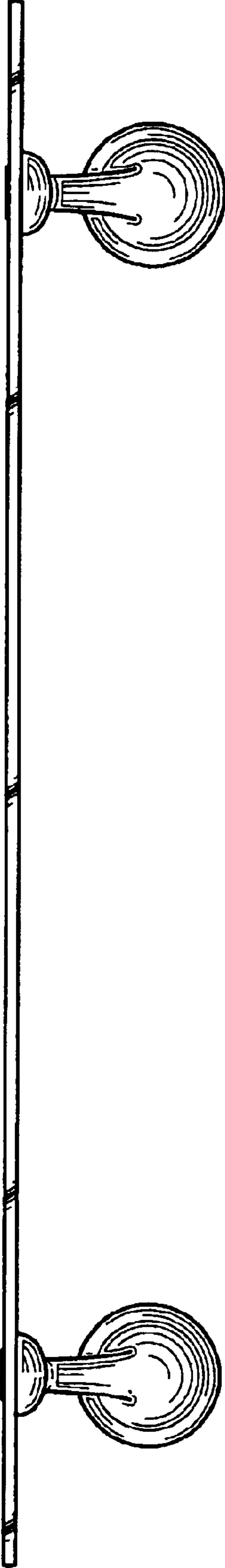
**FIG - 2**



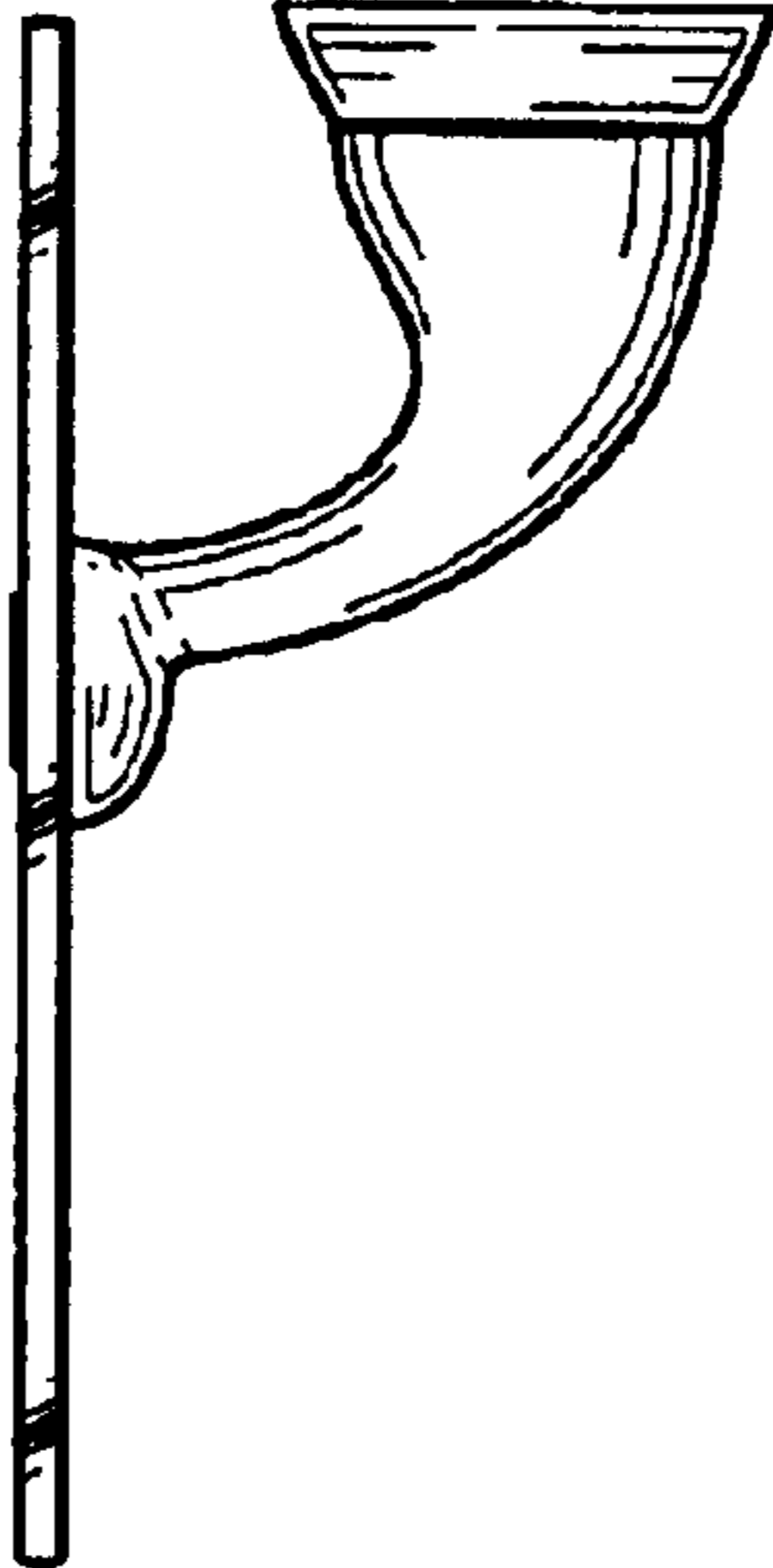
**FIG - 3**



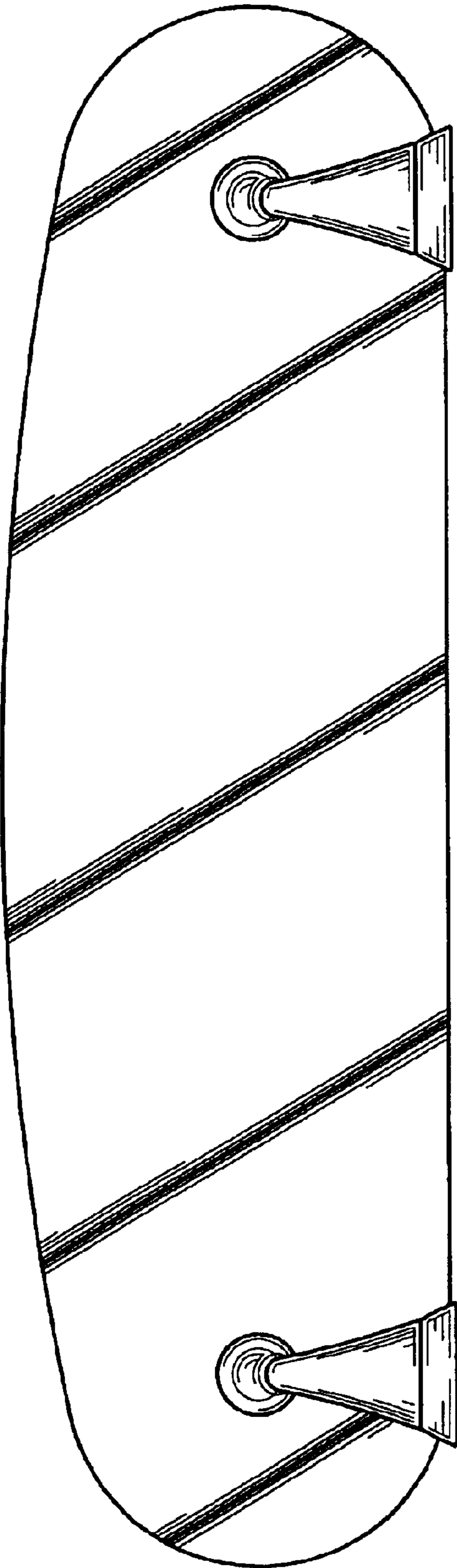
**FIG - 4**



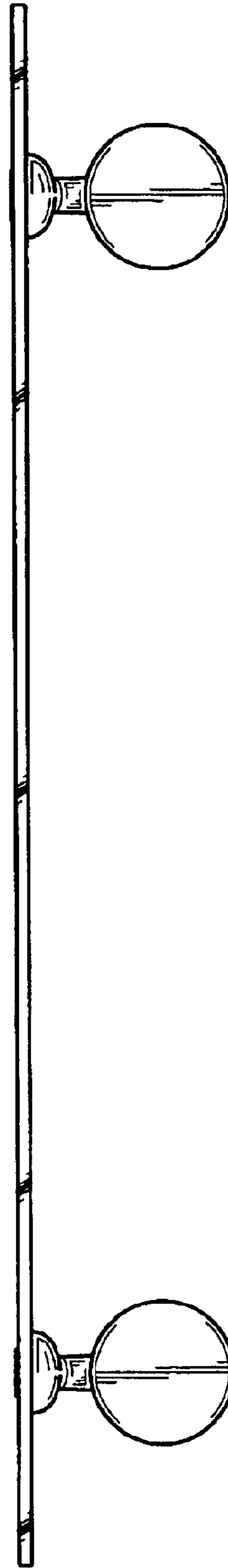
**FIG - 5**



**FIG - 6**



**FIG - 7**



**FIG - 8**