

US00D492871S1

(12) **United States Design Patent**
Alves

(10) **Patent No.:** **US D492,871 S**
(45) **Date of Patent:** **** Jul. 13, 2004**

(54) **DISPLAY HOLDER FOR A BALL OR THE LIKE**

D406,715 S * 3/1999 Badillo D6/567
D475,879 S * 6/2003 Thomas D6/552

(75) Inventor: **Manuel J. Alves**, Wilmington, NC (US)

* cited by examiner

(73) Assignee: **Joalpe International, Inc.**, Wilmington, NC (US)

Primary Examiner—Brian N Vinson
(74) *Attorney, Agent, Firm*—Dougherty, Clements, & Hofer *or*

(**) Term: **14 Years**

(57) **CLAIM**

(21) Appl. No.: **29/189,225**

The ornamental design for a display holder for a ball or the like, as shown and described.

(22) Filed: **Aug. 28, 2003**

DESCRIPTION

(51) **LOC (7) Cl.** **08-08**

(52) **U.S. Cl.** **D6/552**

(58) **Field of Search** D6/513, 552, 567;
D3/254; 248/310–314, 309.1; 211/13.1,
14, 88.01, 89.01, 126.1; 206/557, 315.9

FIG. 1 is a perspective view of the invented display holder for a ball or the like showing the new design; FIG. 2 is a bottom plan view thereof; FIG. 3 is a rear elevational view thereof; FIG. 4 is a left side elevational view thereof; FIG. 5 is a top elevational view thereof; FIG. 6 is a right side elevational view thereof; and, FIG. 7 is a front plan view thereof.

(56) **References Cited**

U.S. PATENT DOCUMENTS

D171,567 S * 2/1954 Zarzana et al. D6/569
D277,349 S * 1/1985 Campbell D6/513

1 Claim, 3 Drawing Sheets

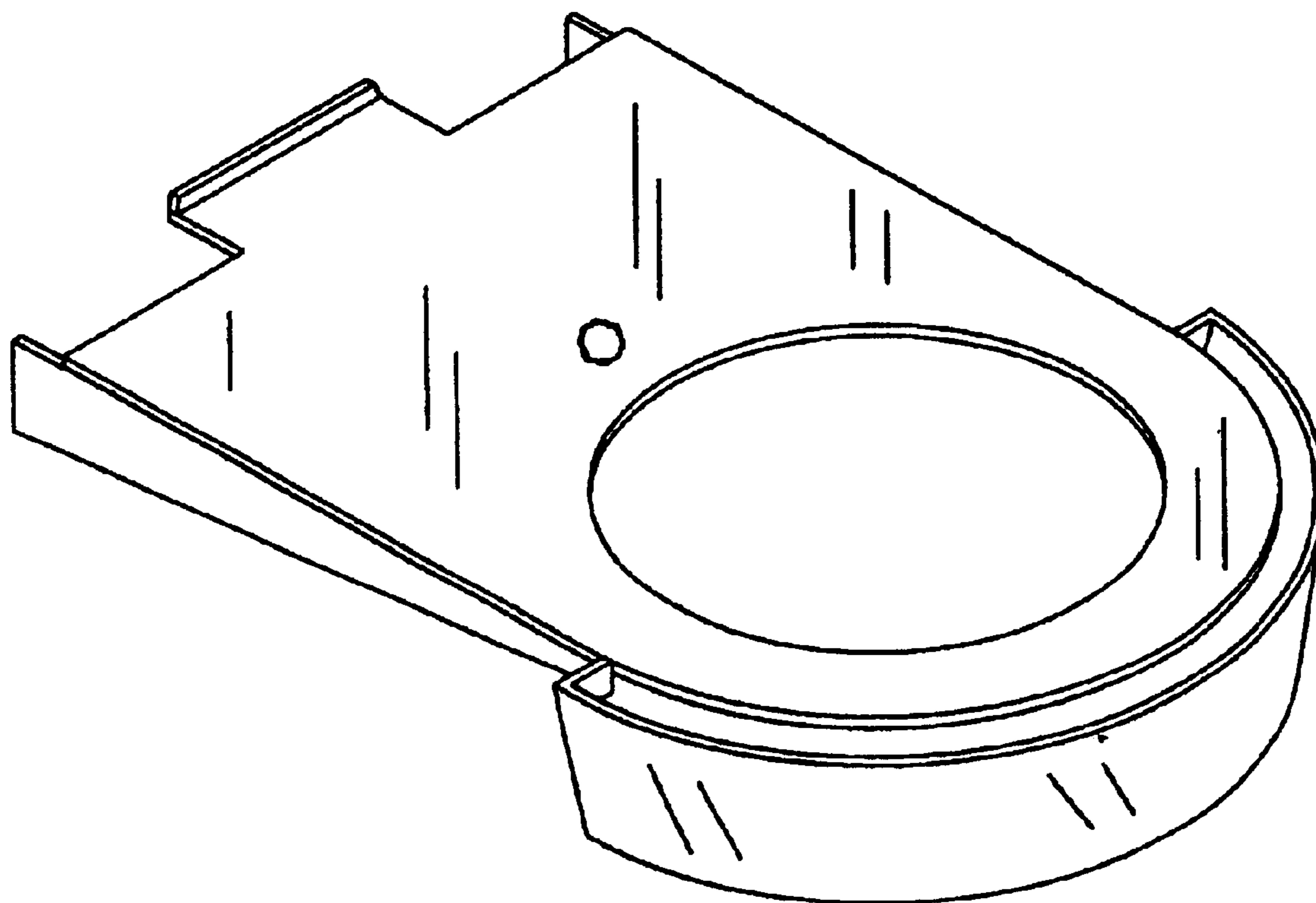


Fig. 1

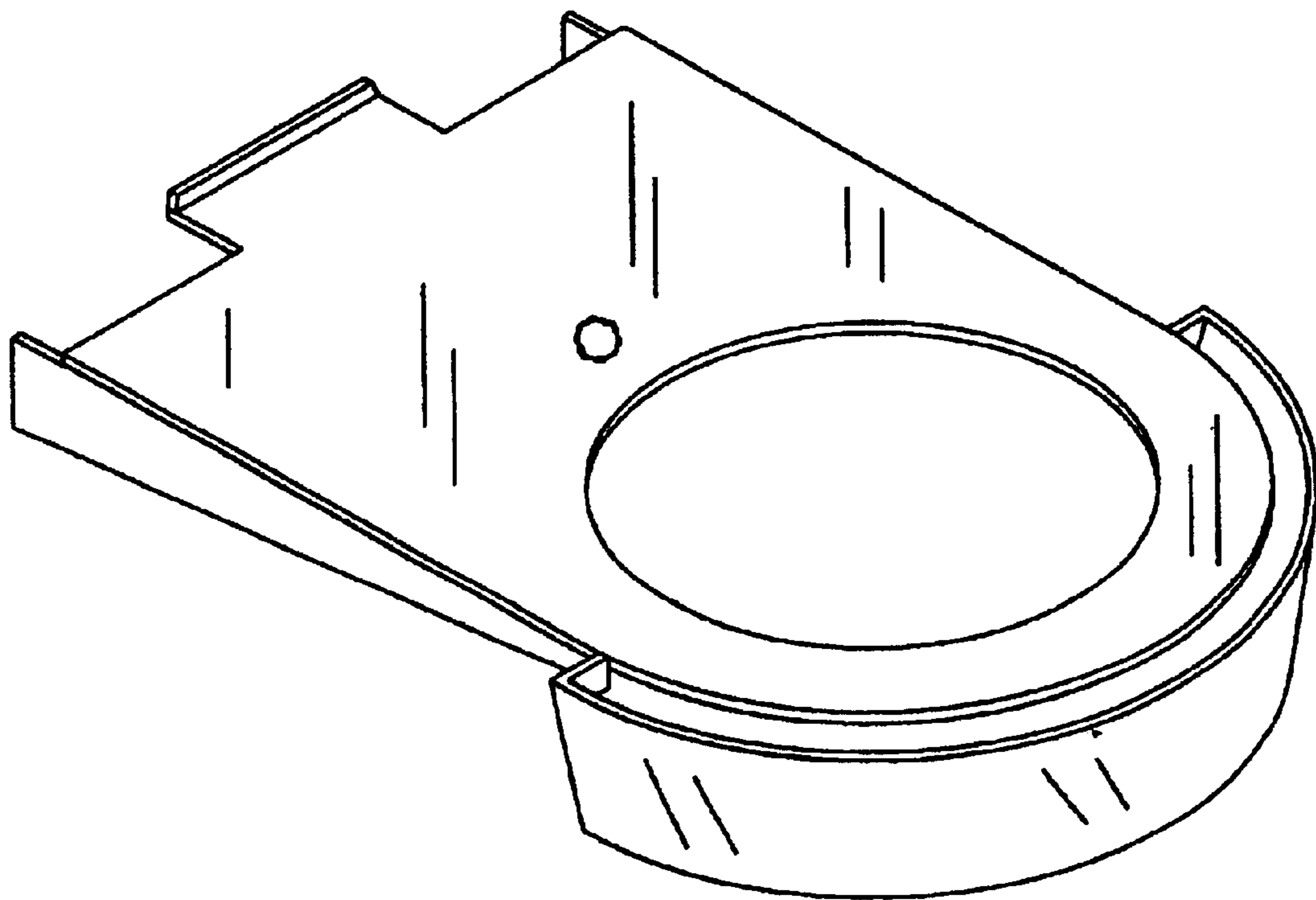


Fig. 2

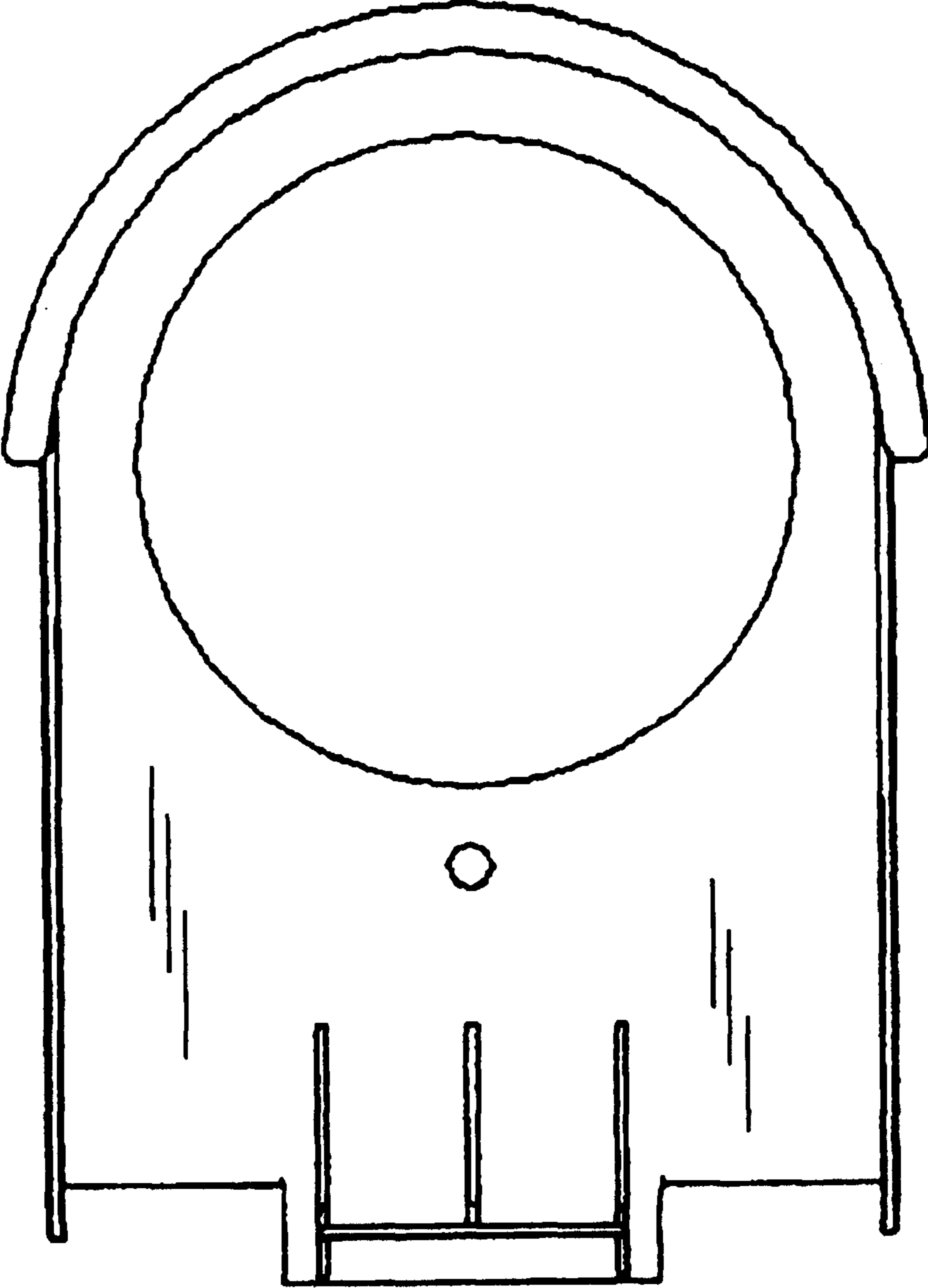




Fig. 3

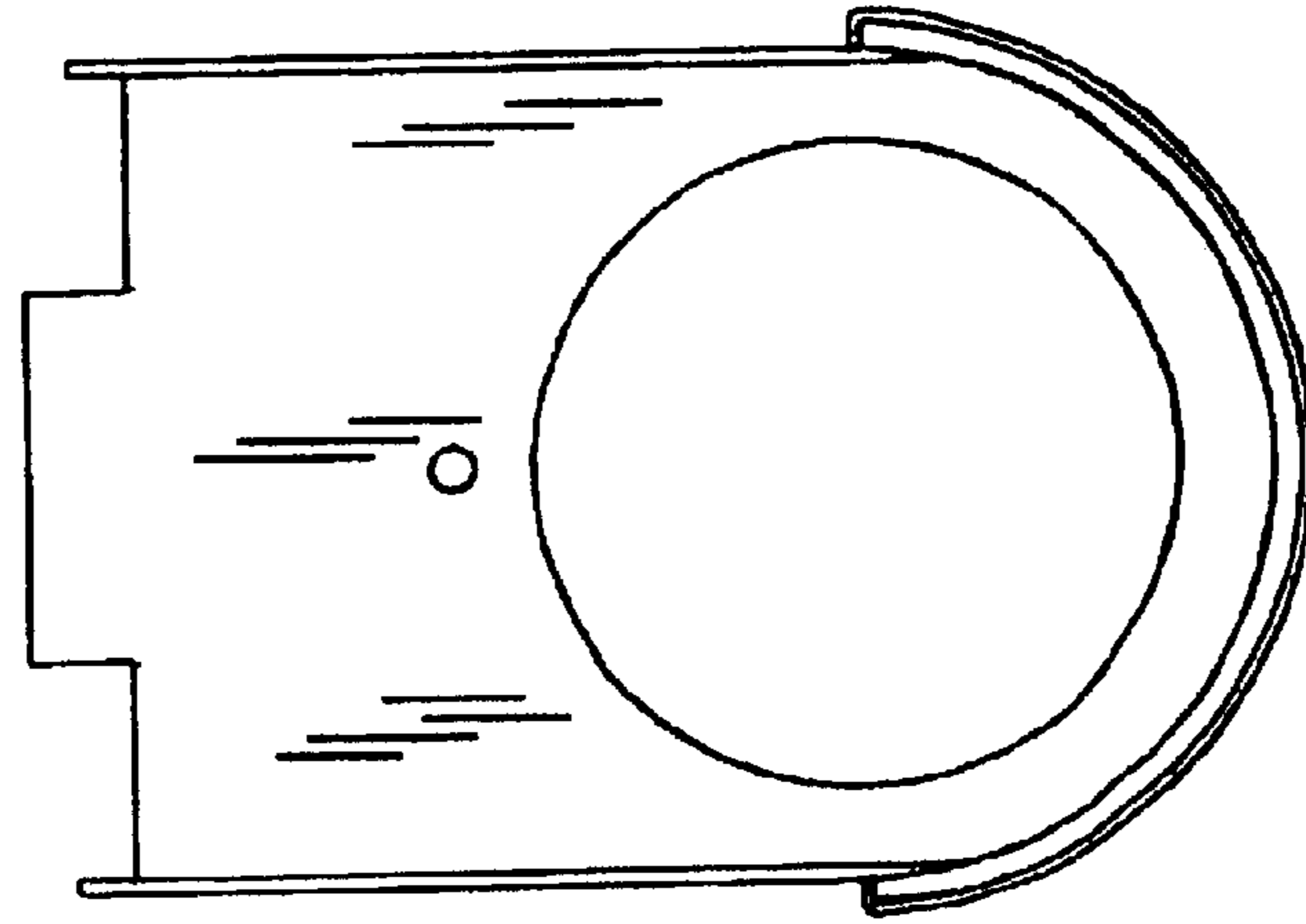


Fig. 5

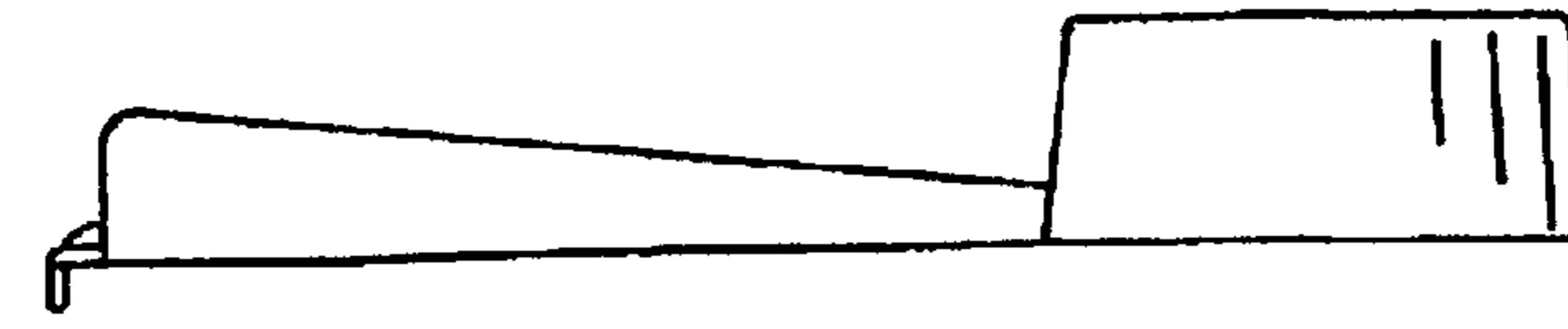


Fig. 4

Fig. 6

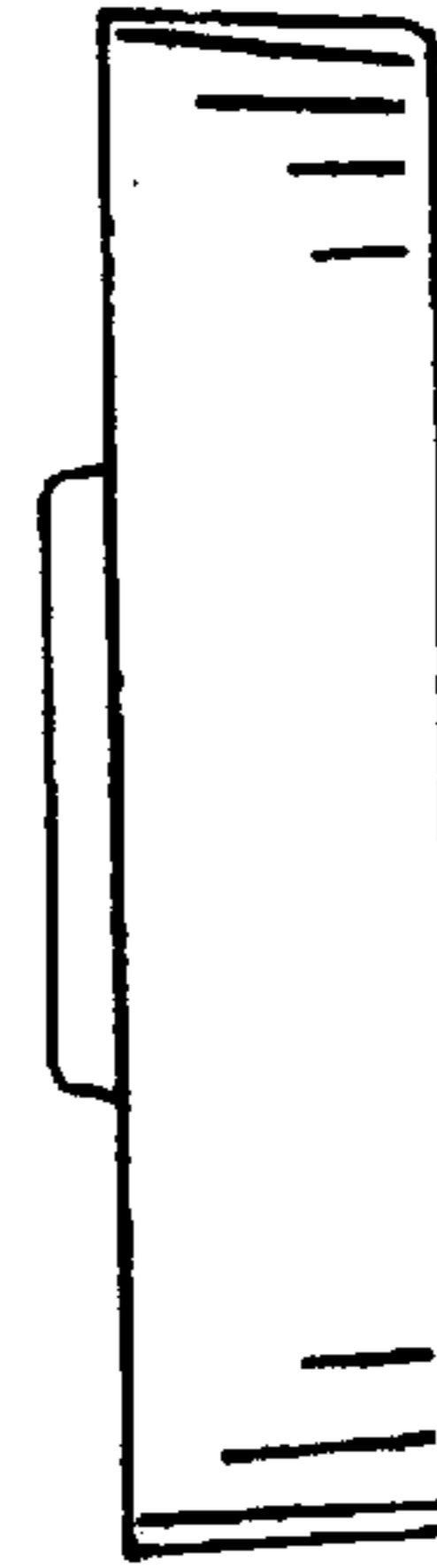
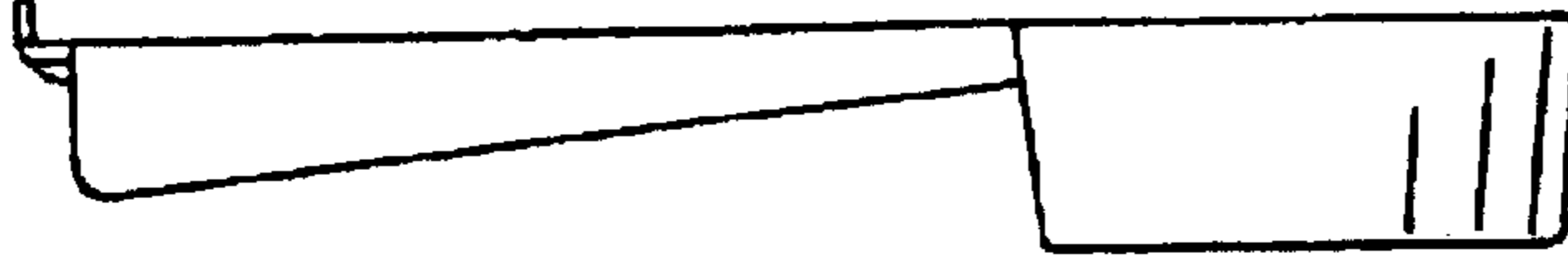


Fig. 7