

US00D492869S1

(12) **United States Design Patent**
Henry

(10) **Patent No.:** **US D492,869 S**
(45) **Date of Patent:** **** Jul. 13, 2004**

(54) **TOOTHBRUSH HOLDER WITH BRACKET FOR FASTENER**

(76) **Inventor:** **Kellie A. Henry**, 4850 SW. 139th Ave., Beaverton, OR (US) 97005

(**) **Term:** **14 Years**

(21) **Appl. No.:** **29/186,081**

(22) **Filed:** **Jul. 8, 2003**

(51) **LOC (7) Cl.** **23-02**

(52) **U.S. Cl.** **D6/534**

(58) **Field of Search** D6/552, 553, 567, D6/569, 572, 573, 528, 534; 206/209, 361, 209.1, 362, 362.1, 362.2, 362.3; 211/13.1, 65; 248/309.1, 312

(56) **References Cited**

U.S. PATENT DOCUMENTS

D242,672 S	*	12/1976	Harris	D6/534
4,014,453 A		3/1977	Tarnacki		
D299,423 S		1/1989	Davis		
D300,970 S		5/1989	Walker		
4,993,671 A		2/1991	Ste. Marie		
5,394,584 A		3/1995	Breitschmid		
D366,741 S		1/1996	Roehrig		

D386,639 S	*	11/1997	Everett	D6/525
D398,177 S	*	9/1998	Garcia	D6/534
D453,730 S	*	2/2002	Weber	D12/532
D454,740 S	*	3/2002	Baggott	D6/534

* cited by examiner

Primary Examiner—Brian N. Vinson

(74) *Attorney, Agent, or Firm*—Ingrid McTaggart

(57) **CLAIM**

The ornamental design for a toothbrush holder with bracket for fastener, as shown.

DESCRIPTION

FIG. 1 is a front, upper environmental view of the toothbrush holder with bracket for fastener mounted on a mounting surface and supporting a toothbrush therein;
 FIG. 2 is a front, lower isometric view of the toothbrush holder with bracket for fastener;
 FIG. 3 is a right side elevational view, the left side elevational view being a mirror image thereof;
 FIG. 4 is a front elevational view;
 FIG. 5 is a rear elevational view;
 FIG. 6 is a top plan view; and,
 FIG. 7 is a bottom plan view.

1 Claim, 2 Drawing Sheets

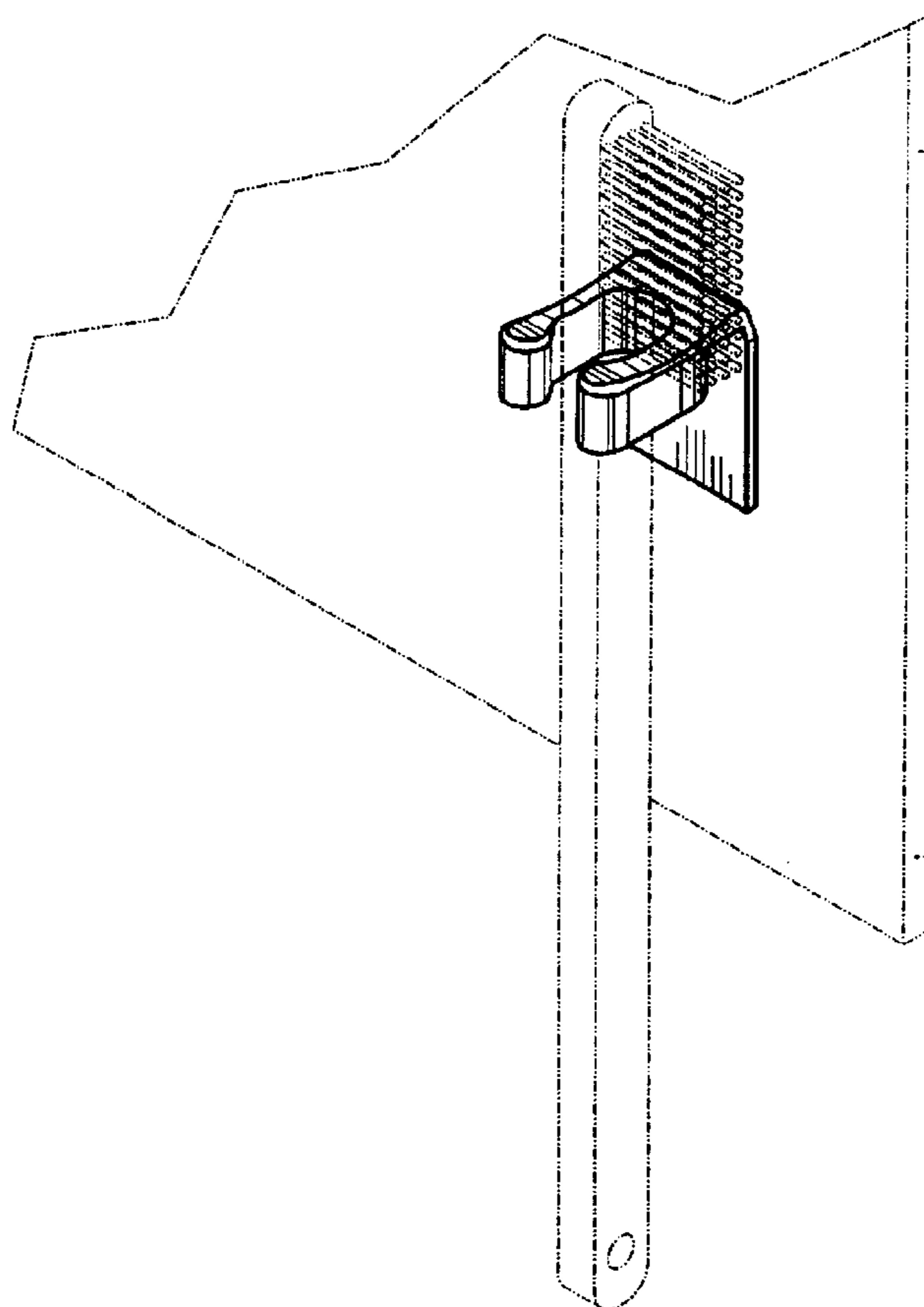


Fig. 1

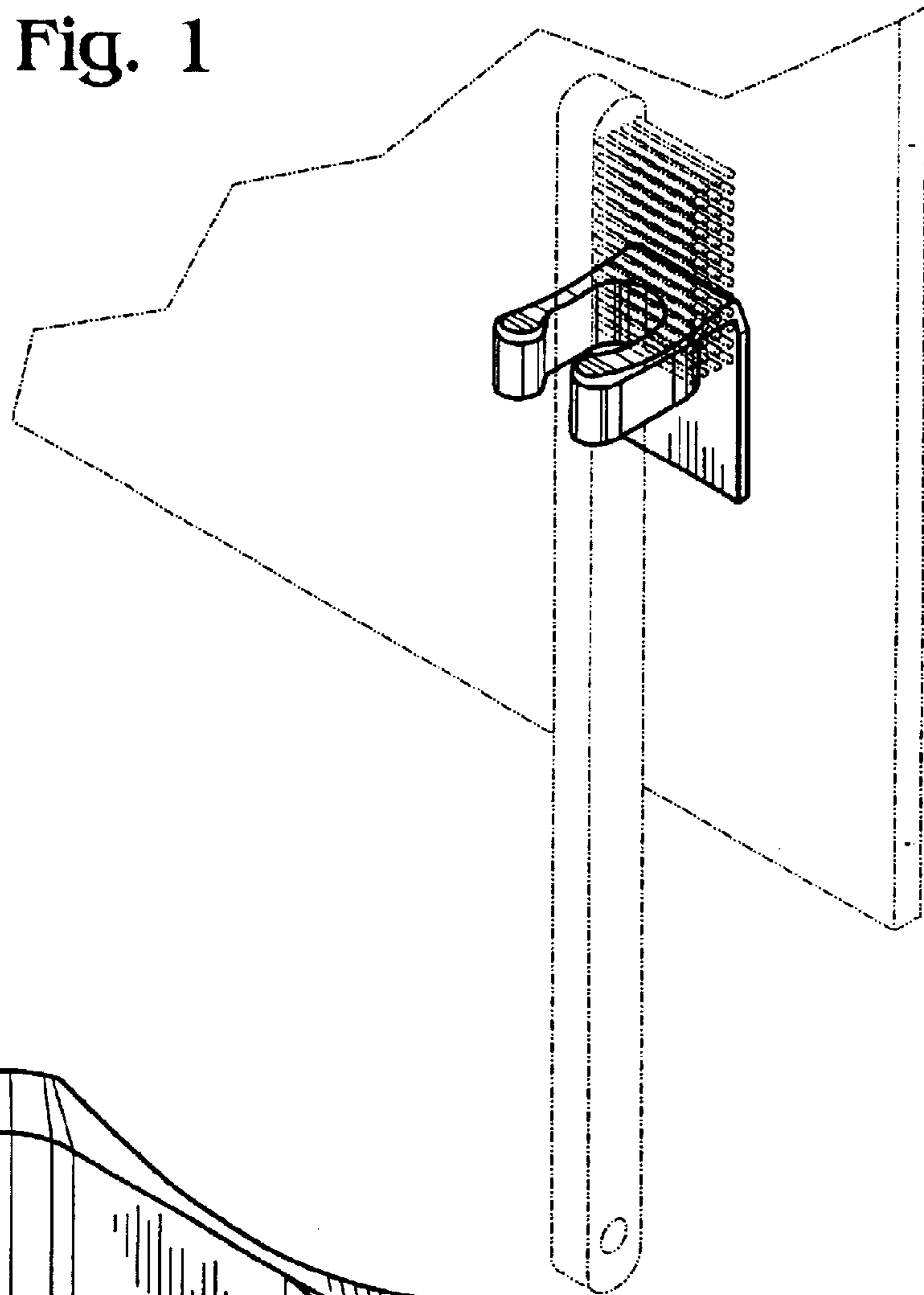


Fig. 2

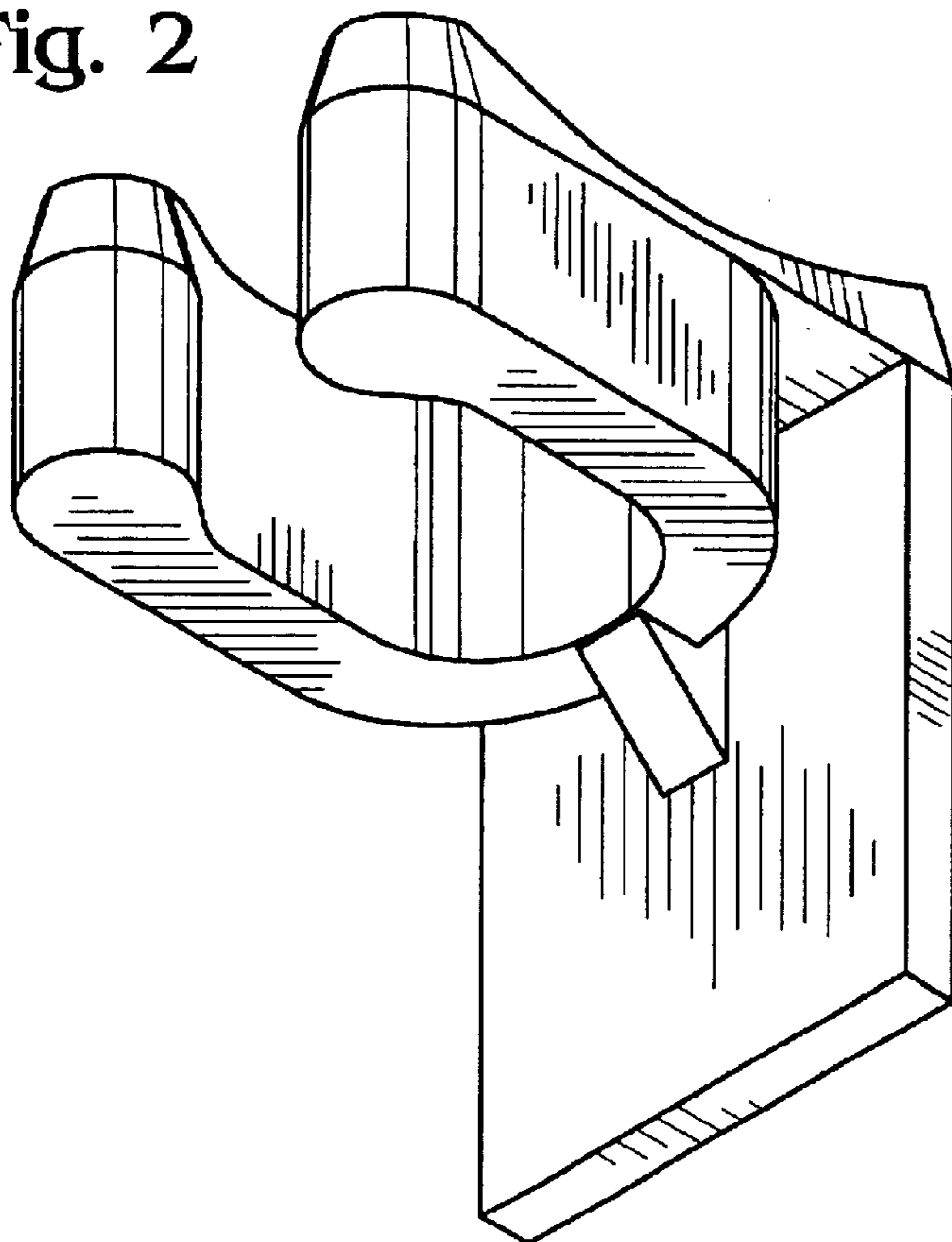


Fig. 3

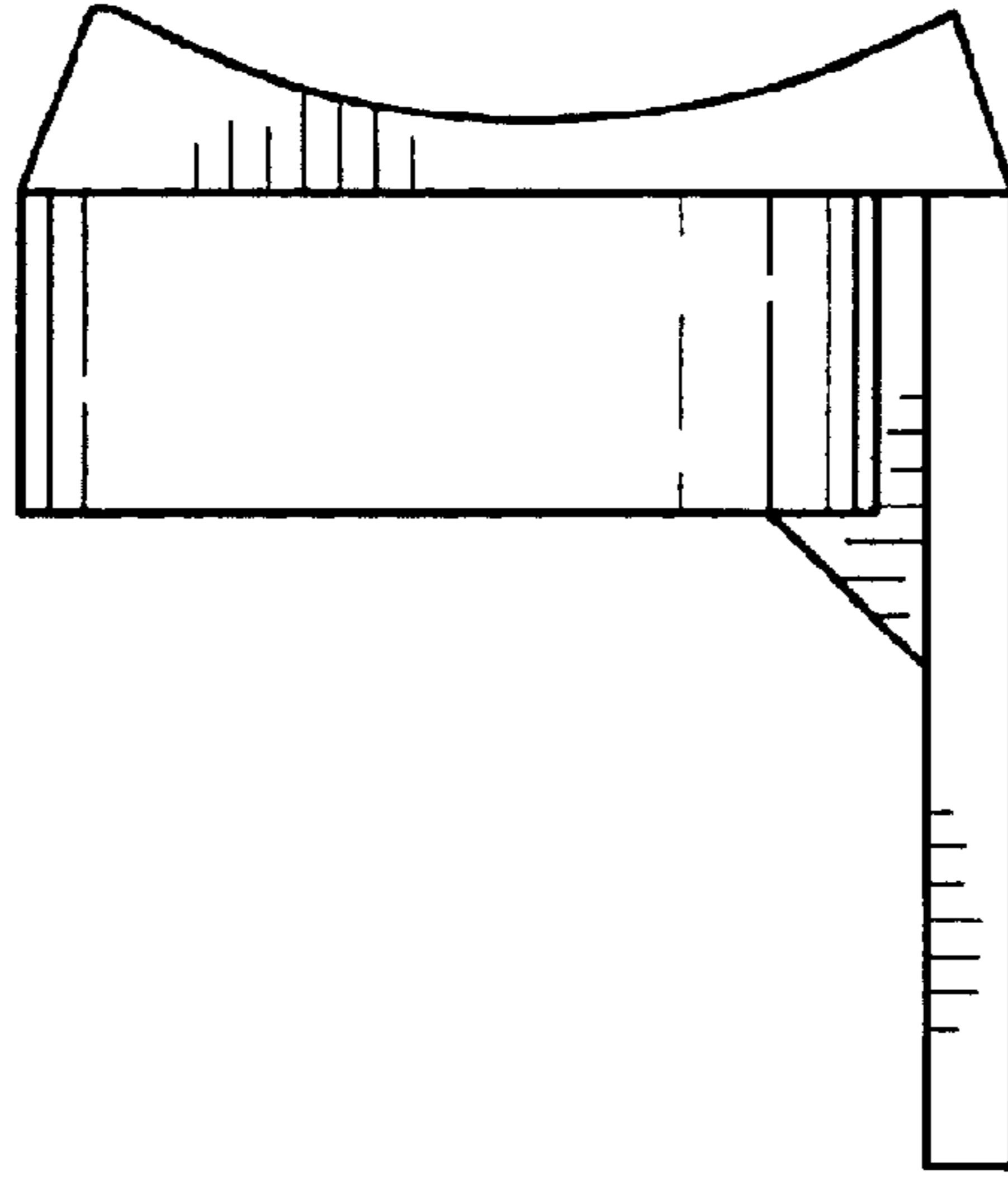


Fig. 4

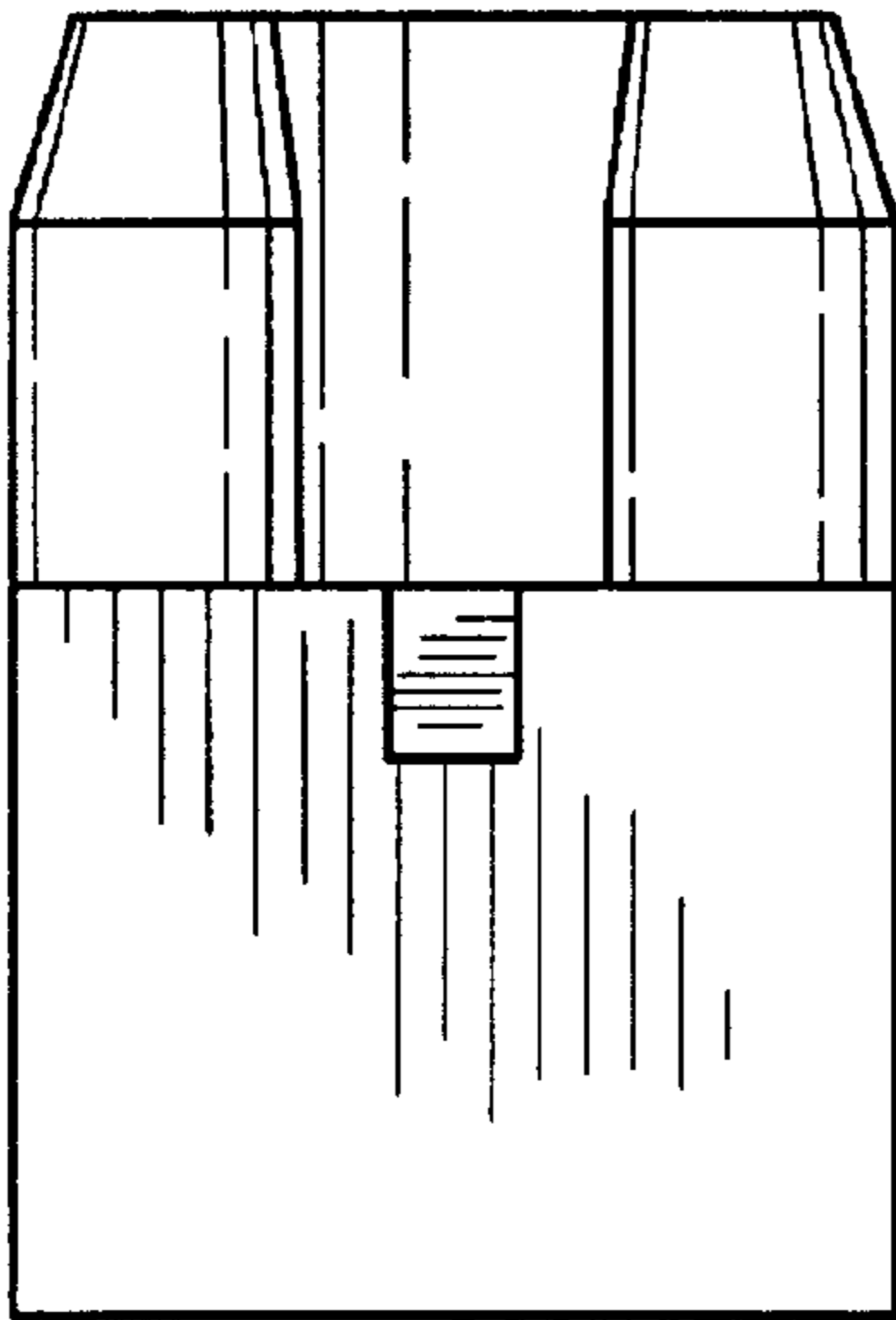


Fig. 5

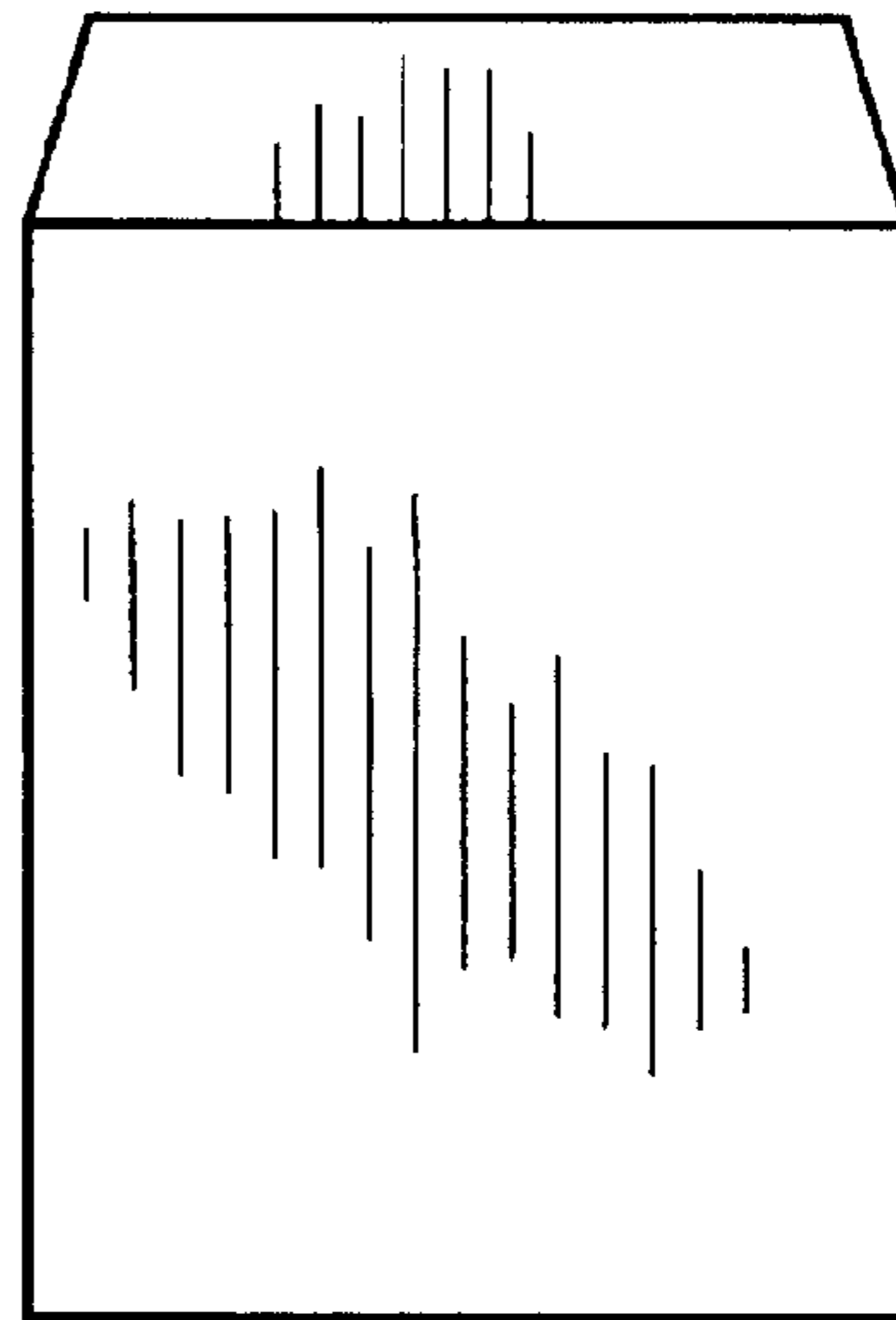


Fig. 6

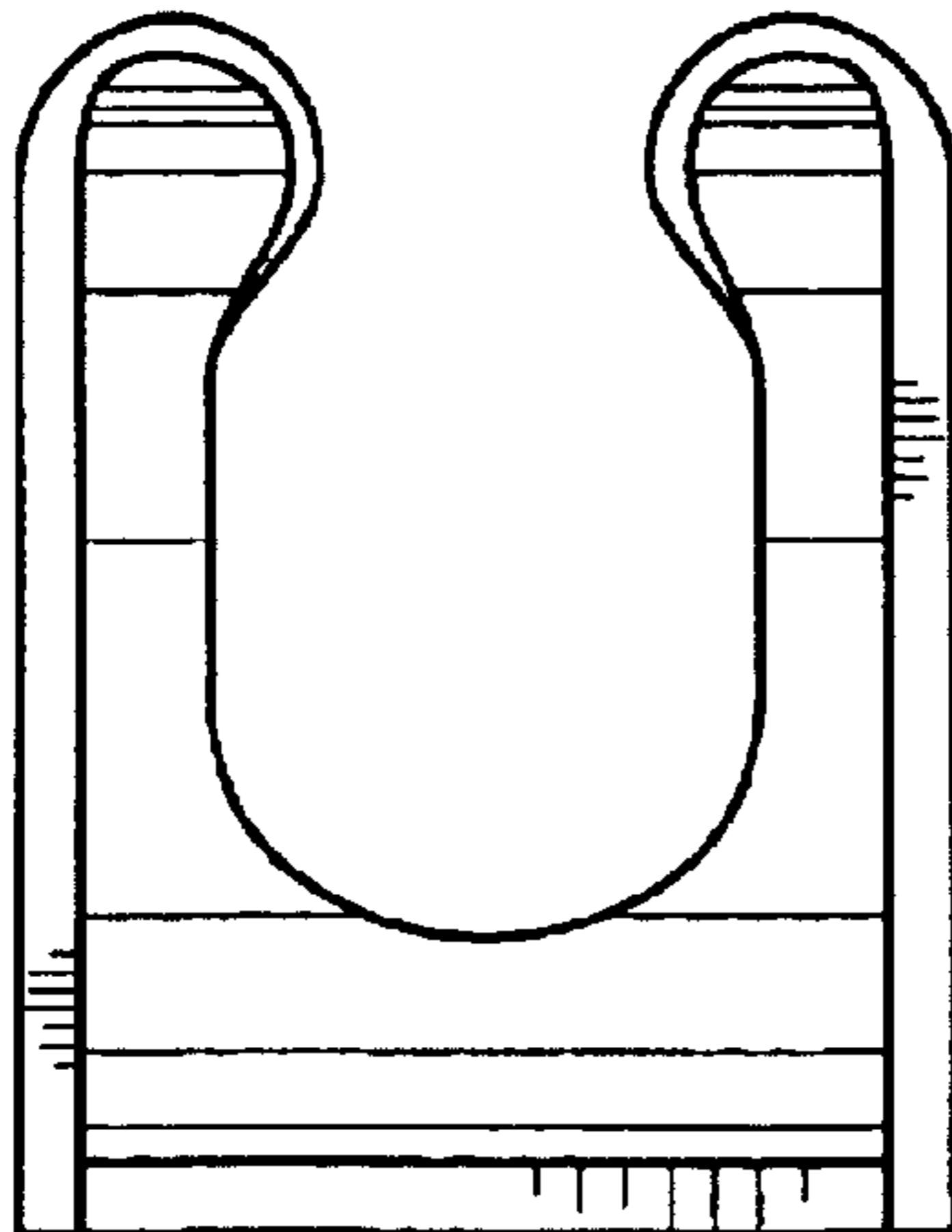


Fig. 7

