

US00D492868S1

(12) **United States Design Patent**
Ayers et al.

(10) **Patent No.:** **US D492,868 S**
(45) **Date of Patent:** **** Jul. 13, 2004**

(54) **TOWEL SHELF**
(75) Inventors: **Mark Edward Ayers**, Leesport, PA
(US); **Randy S. Cramer**, Lebanon, PA
(US)

6,227,506 B1 * 5/2001 Benedict 248/249
D476,837 S * 7/2003 Hoernig D6/527
D476,838 S * 7/2003 Hoernig D6/527
D477,732 S * 7/2003 Hoernig D6/527

* cited by examiner

(73) Assignee: **Newfrey LLC**, Newark, DE (US)
(**) Term: **14 Years**

Primary Examiner—Brian N Vinson
(74) *Attorney, Agent, or Firm*—Richard J. Veltman; John D. Del Ponti

(21) Appl. No.: **29/190,657**
(22) Filed: **Sep. 24, 2003**

(57) **CLAIM**

The ornamental design for a towel shelf, as shown and described.

(51) **LOC (7) Cl.** **23-02**
(52) **U.S. Cl.** **D6/524; D6/549; D6/574**
(58) **Field of Search** D6/546–550, 518–519,
D6/522–524; D8/300, 303, 315–321, 354,
363, 373, 380; 108/28–29; 211/13.1, 16,
60.1, 86.01, 87.01, 88.01, 88.04, 100, 105.1–105.2,
119.003, 123, 126.1, 133.6, 134, 181.1,
182; 248/175, 176.1, 200, 214, 251, 302,
309.1; 16/110.1, 412, 415; 242/570, 590;
206/389, 557

DESCRIPTION

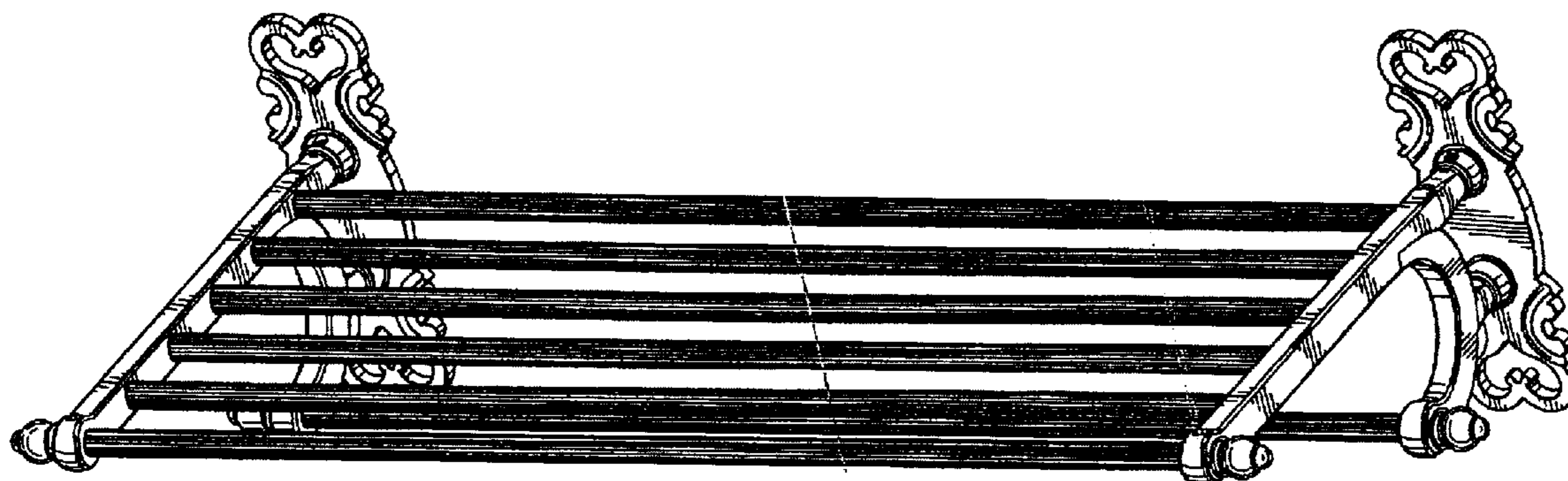
FIG. 1 is a perspective view of a towel shelf showing our new design;
FIG. 2 is a front elevational view thereof;
FIG. 3 is a right side view thereof;
FIG. 4 is a top plan view thereof;
FIG. 5 is a bottom plan view thereof; and,
FIG. 6 is a left side view thereof.

(56) **References Cited**

U.S. PATENT DOCUMENTS

4,154,420 A * 5/1979 Mazie et al. 248/251

1 Claim, 5 Drawing Sheets



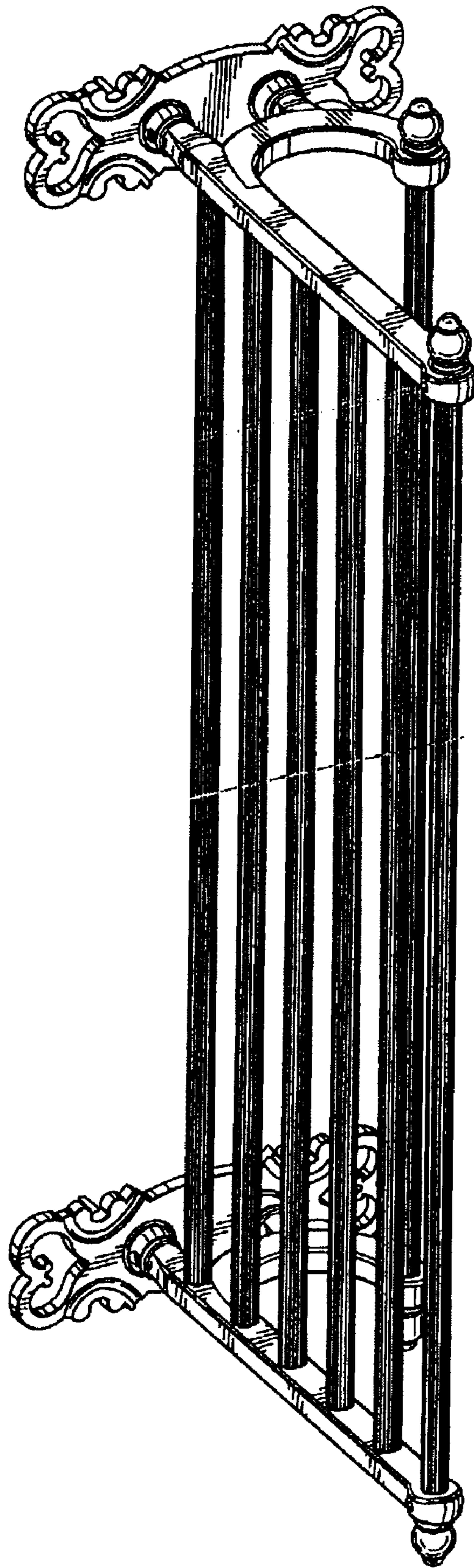


FIG-1

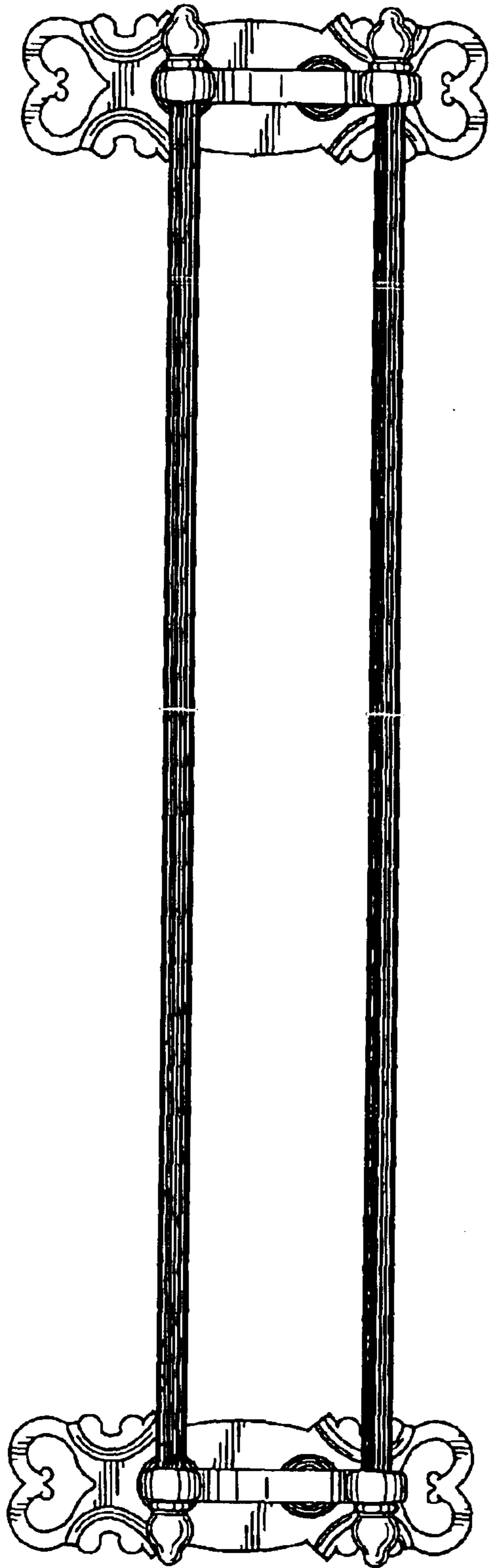


FIG - 2

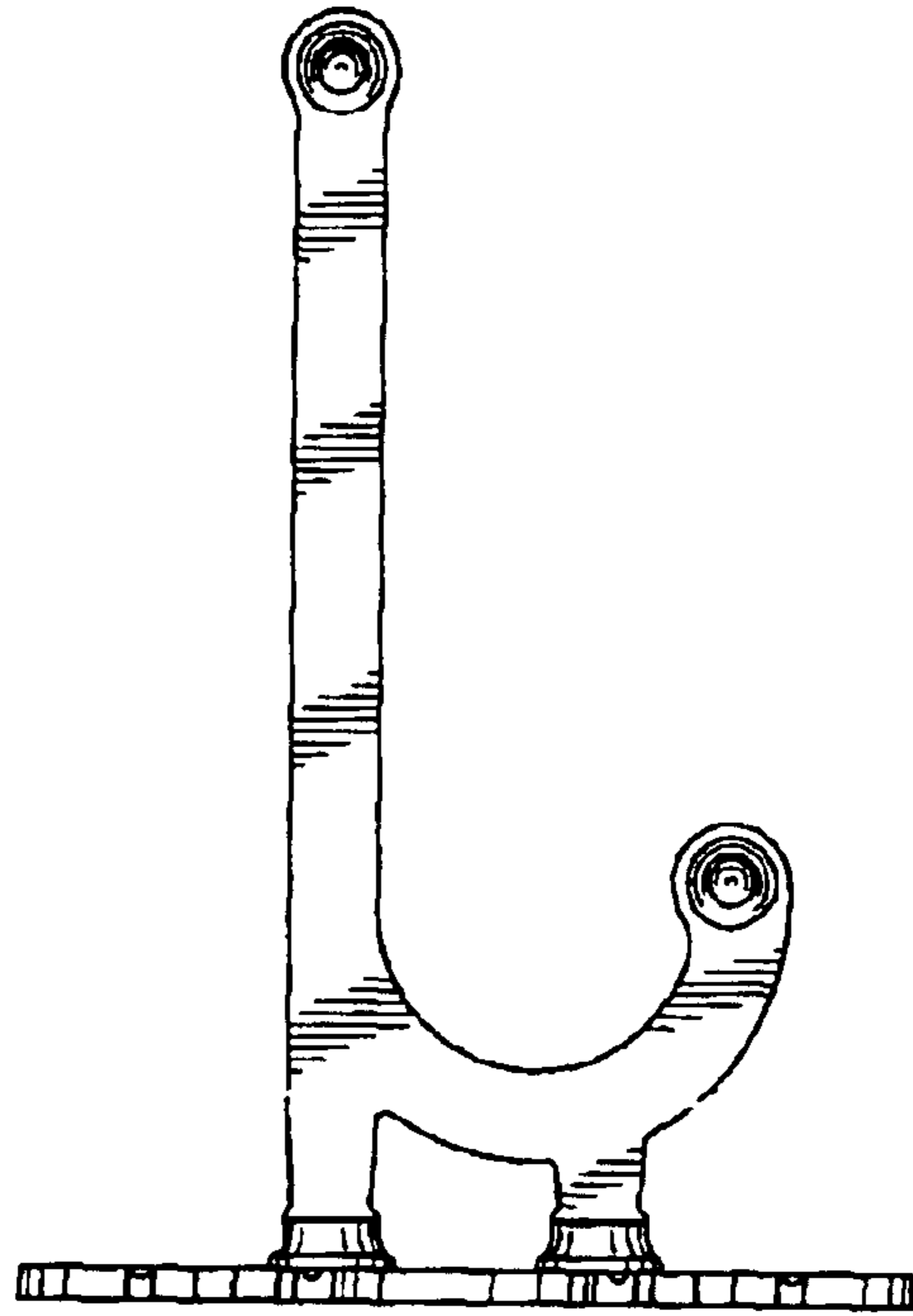


FIG - 3

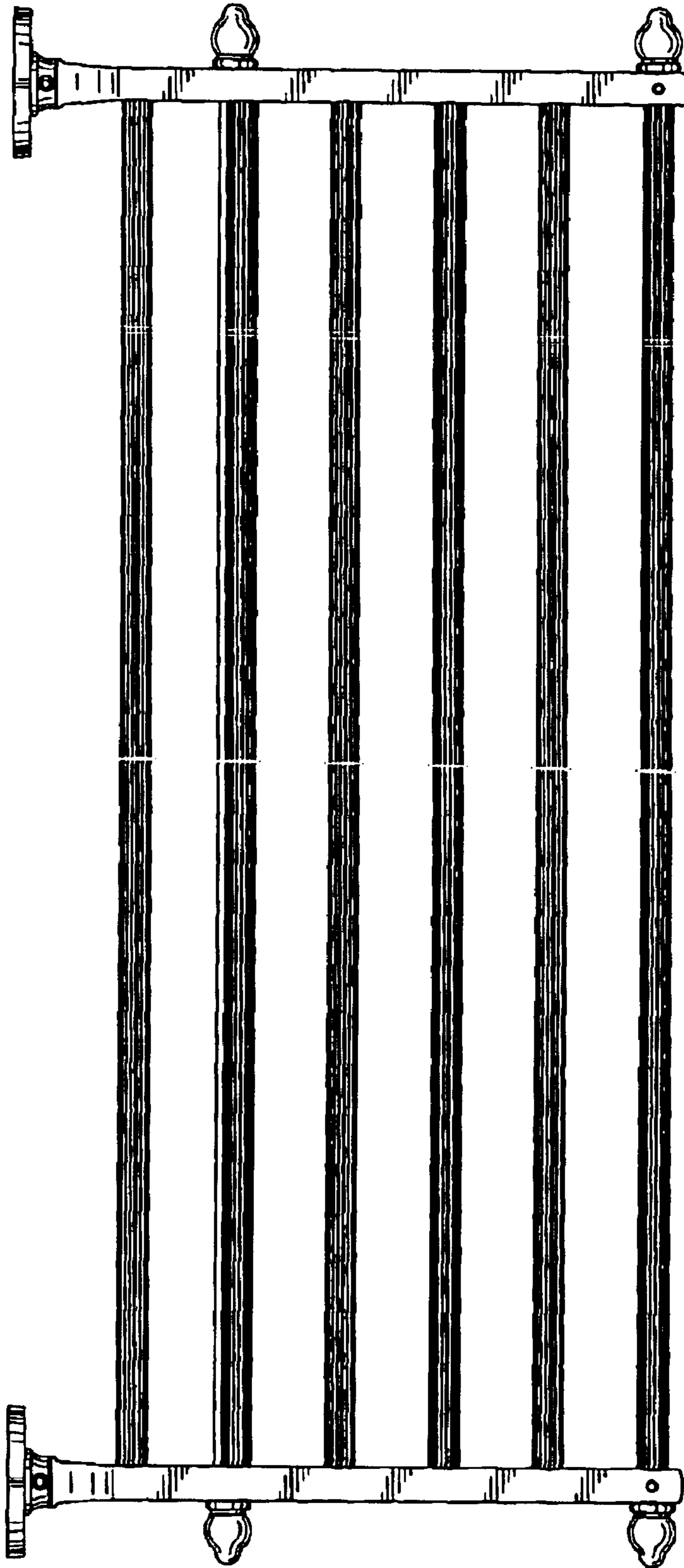


FIG - 4

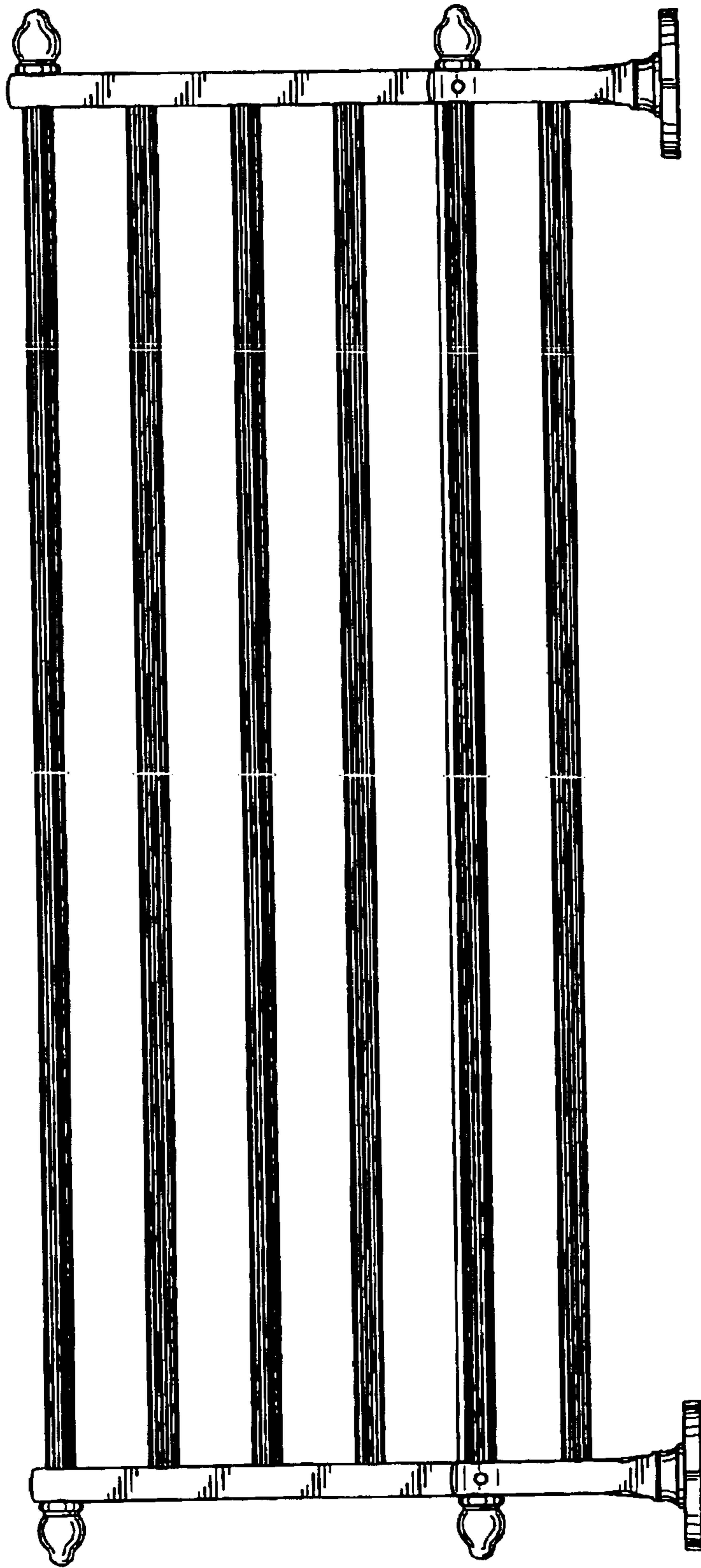


FIG - 5

FIG - 6

