

US00D492867S1

(12) **United States Design Patent**
Fahy et al.

(10) **Patent No.: US D492,867 S**
(45) **Date of Patent: ** Jul. 13, 2004**

(54) **BATH HARDWARE MOUNTING BRACKET**

(75) Inventors: **David Fahy**, San Diego, CA (US);
Poho Shyu, San Diego, CA (US);
Brian Graves, San Diego, CA (US)

(73) Assignee: **BEME International**, San Diego, CA (US)

(**) Term: **14 Years**

(21) Appl. No.: **29/187,629**

(22) Filed: **Aug. 4, 2003**

(51) **LOC (7) Cl.** **23-02**

(52) **U.S. Cl.** **D6/524**

(58) **Field of Search** D6/546-550, 518-519,
D6/522-524; D8/300, 303, 315-321, 354,
363, 373, 380; 108/28-29, 13.1, 16, 60.1,
86.01, 87.01, 88.01, 88.04, 100; 211/105.1-105.2,
119.003, 123, 126.1, 133.6, 134, 181.1,
182; 248/175, 176.1, 200, 214, 251, 302,
309.1; 16/110.1, 412, 415; 242/570, 590;
206/389, 557

(56) **References Cited**

U.S. PATENT DOCUMENTS

- 4,979,713 A 12/1990 Bell
- 5,076,523 A 12/1991 Wang
- D337,230 S * 7/1993 Wang D6/550
- D431,742 S * 10/2000 Chen D6/524
- D431,948 S * 10/2000 Chen D6/524
- D449,948 S * 11/2001 Lai D6/524

- D449,950 S * 11/2001 Lai D6/524
- D451,325 S * 12/2001 Lai D6/524
- D452,790 S * 1/2002 Chen D6/524
- D466,738 S * 12/2002 Tai D6/524
- D466,739 S * 12/2002 Yen D6/524
- D477,945 S * 8/2003 Solowiej D6/524
- D484,720 S * 1/2004 Moore D6/524

* cited by examiner

Primary Examiner—Brian N Vinson

(74) *Attorney, Agent, or Firm*—Loletta L. Darden

(57) **CLAIM**

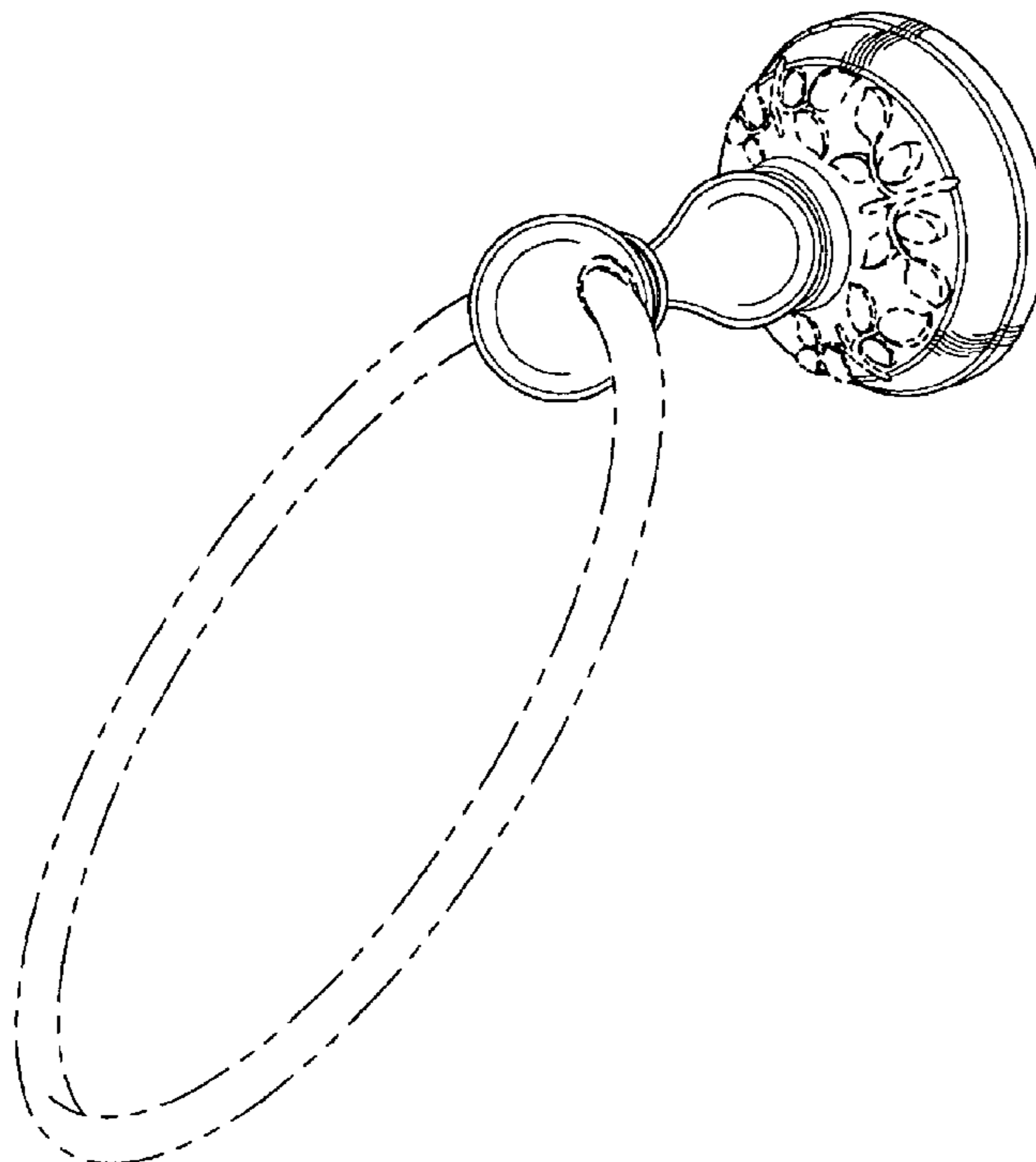
The ornamental design for a bath hardware mounting bracket, as shown and described.

DESCRIPTION

FIG. 1 is a perspective view of the mounting bracket;
 FIG. 2 is a top plan view of the mounting bracket shown in FIG. 1;
 FIG. 3 is a rear plan view of the mounting bracket shown in FIG. 1;
 FIG. 4 is a front plan view of the mounting bracket shown in FIG. 1;
 FIG. 5 is a left plan view of the mounting bracket shown in FIG. 1; and,
 FIG. 6 is a right plan view of the mounting bracket shown in FIG. 1.

The broken-line disclosure of a towel ring in the views is for illustrative purposes only and forms no part of the claimed design.

1 Claim, 2 Drawing Sheets



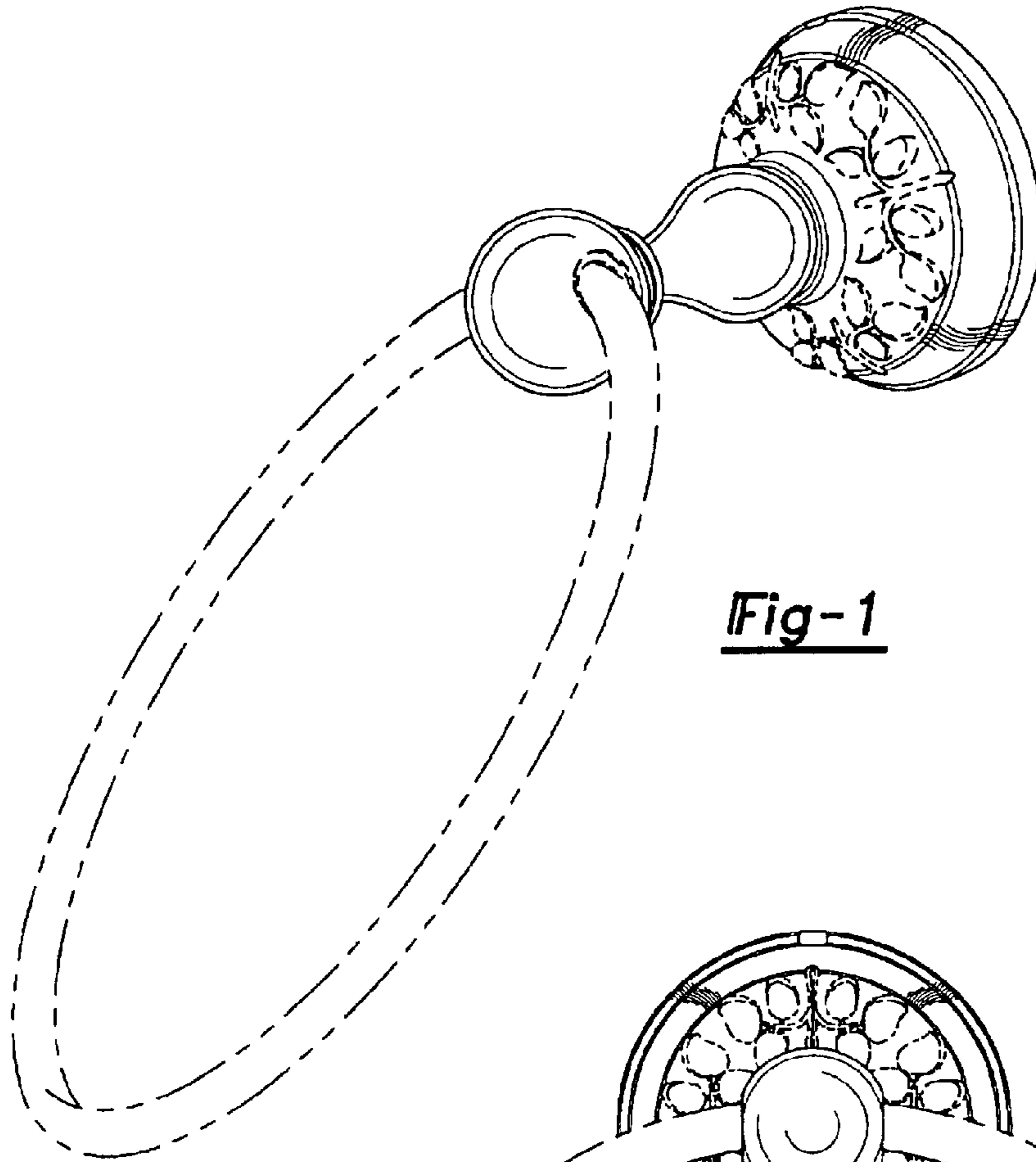


Fig-1

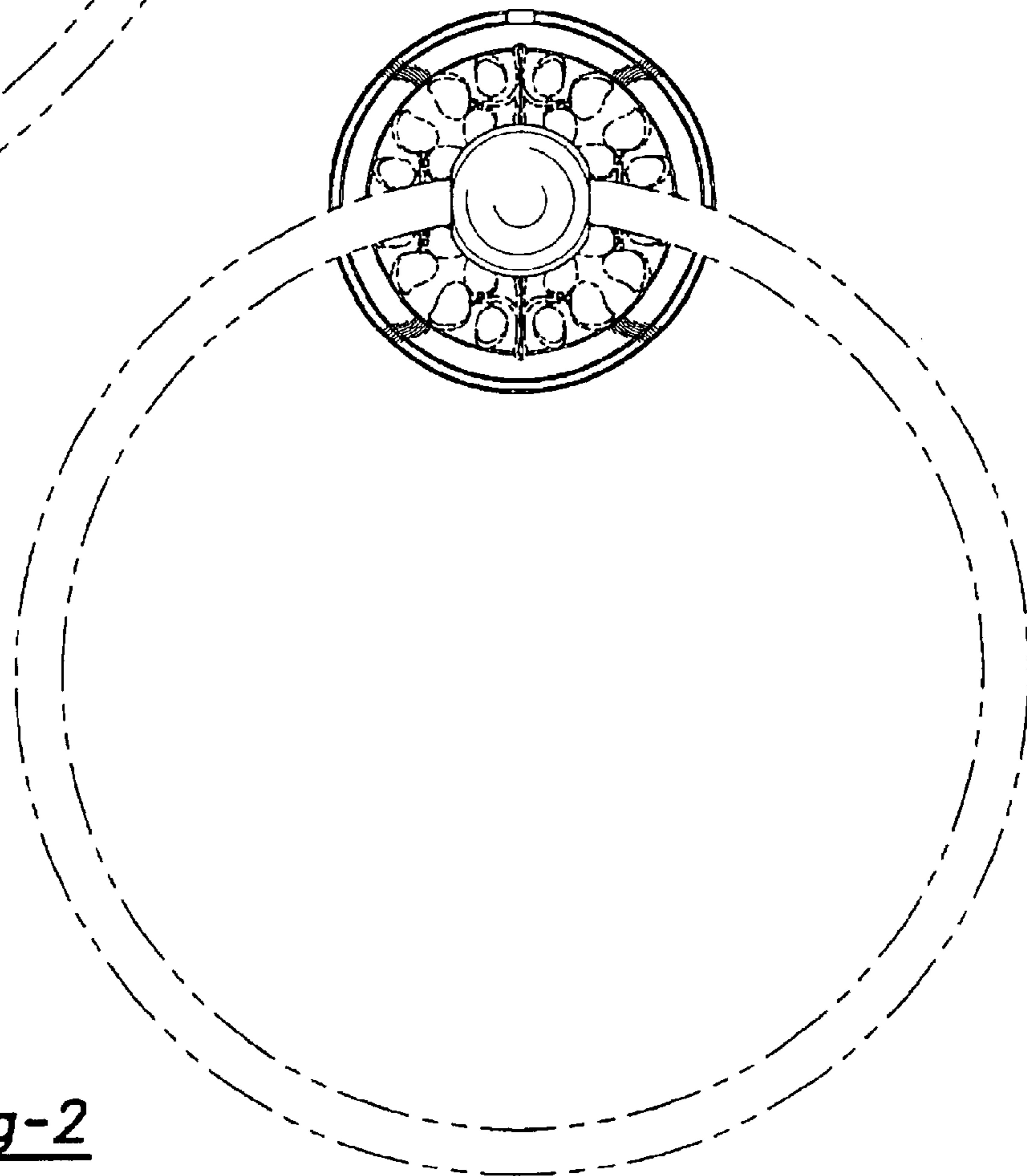


Fig-2

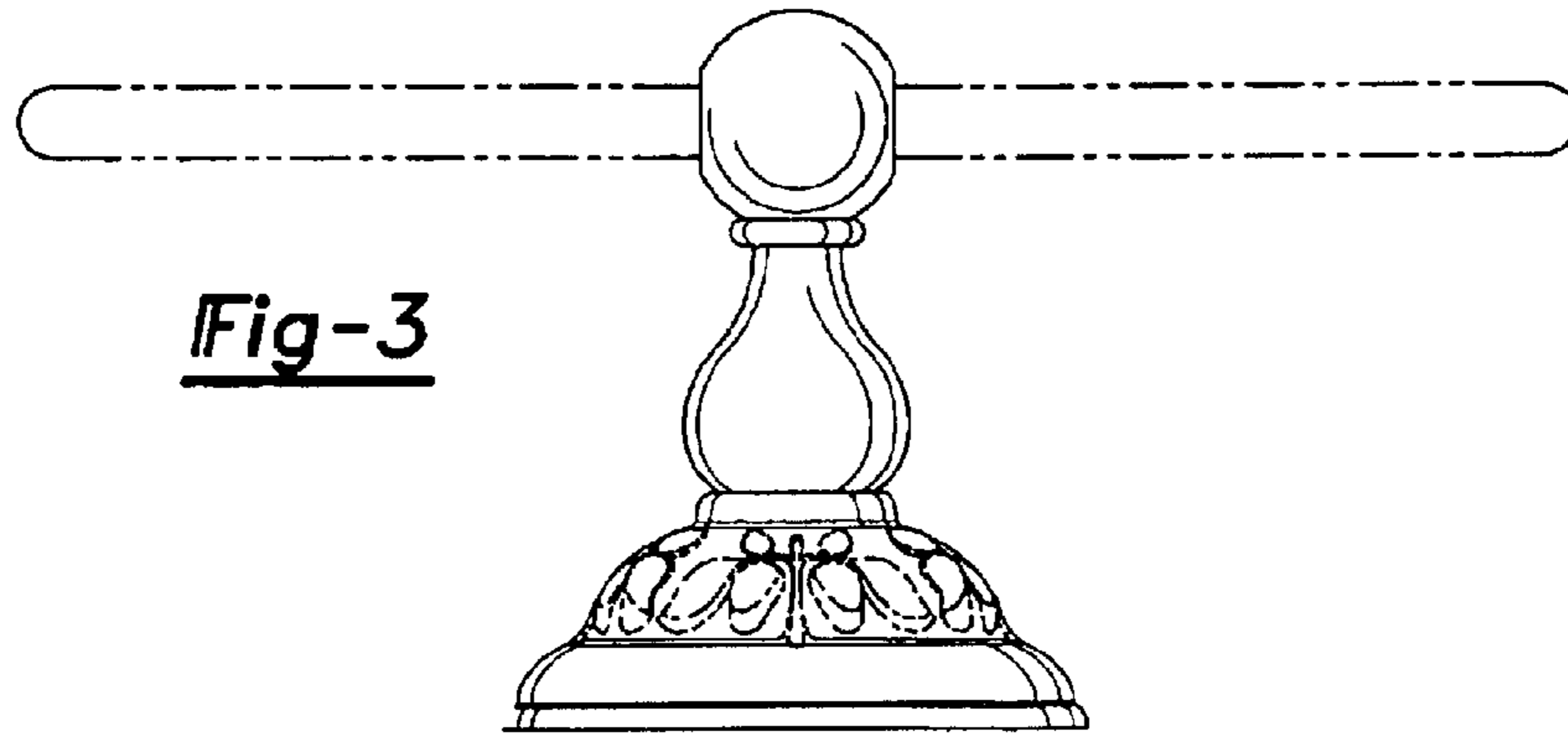


Fig-3

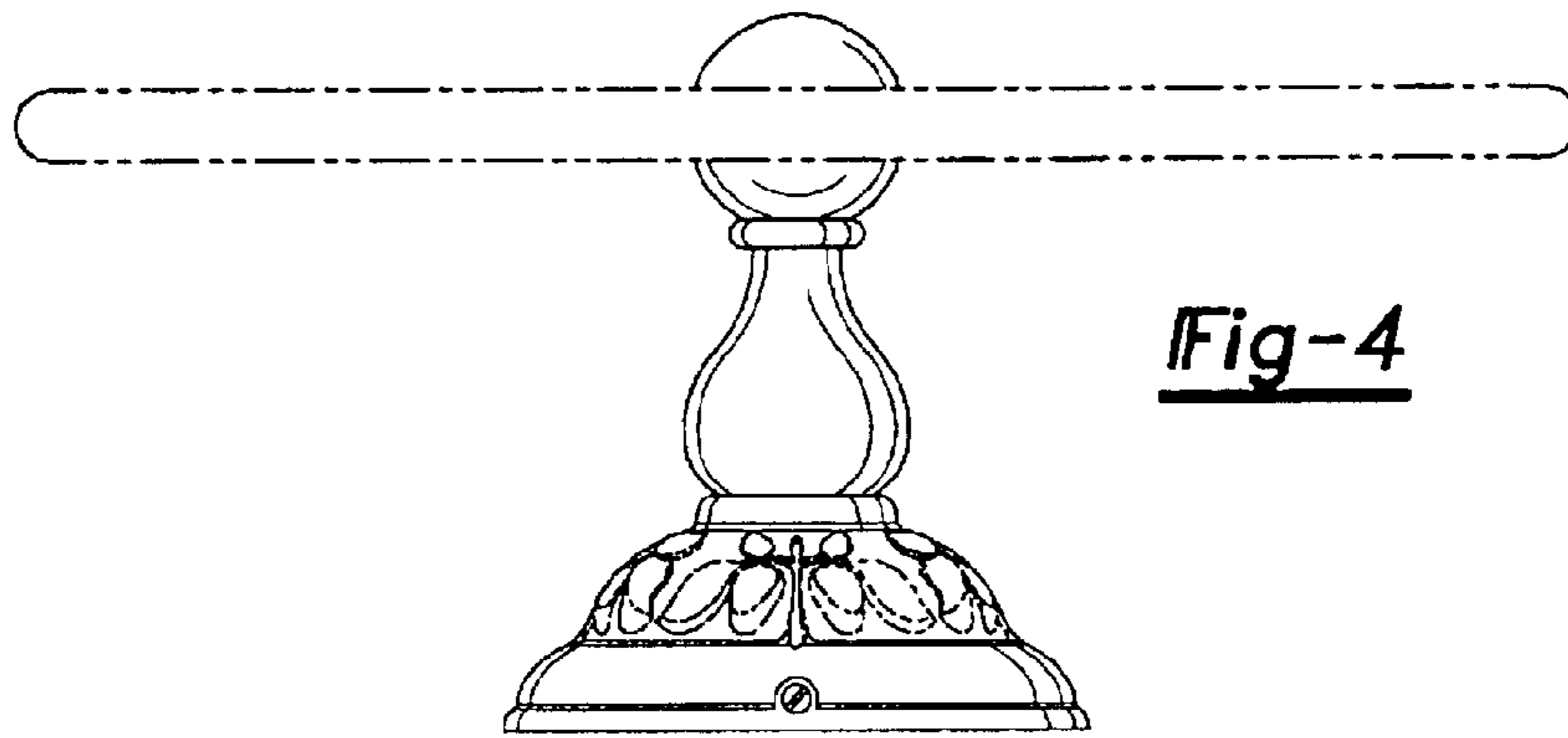


Fig-4

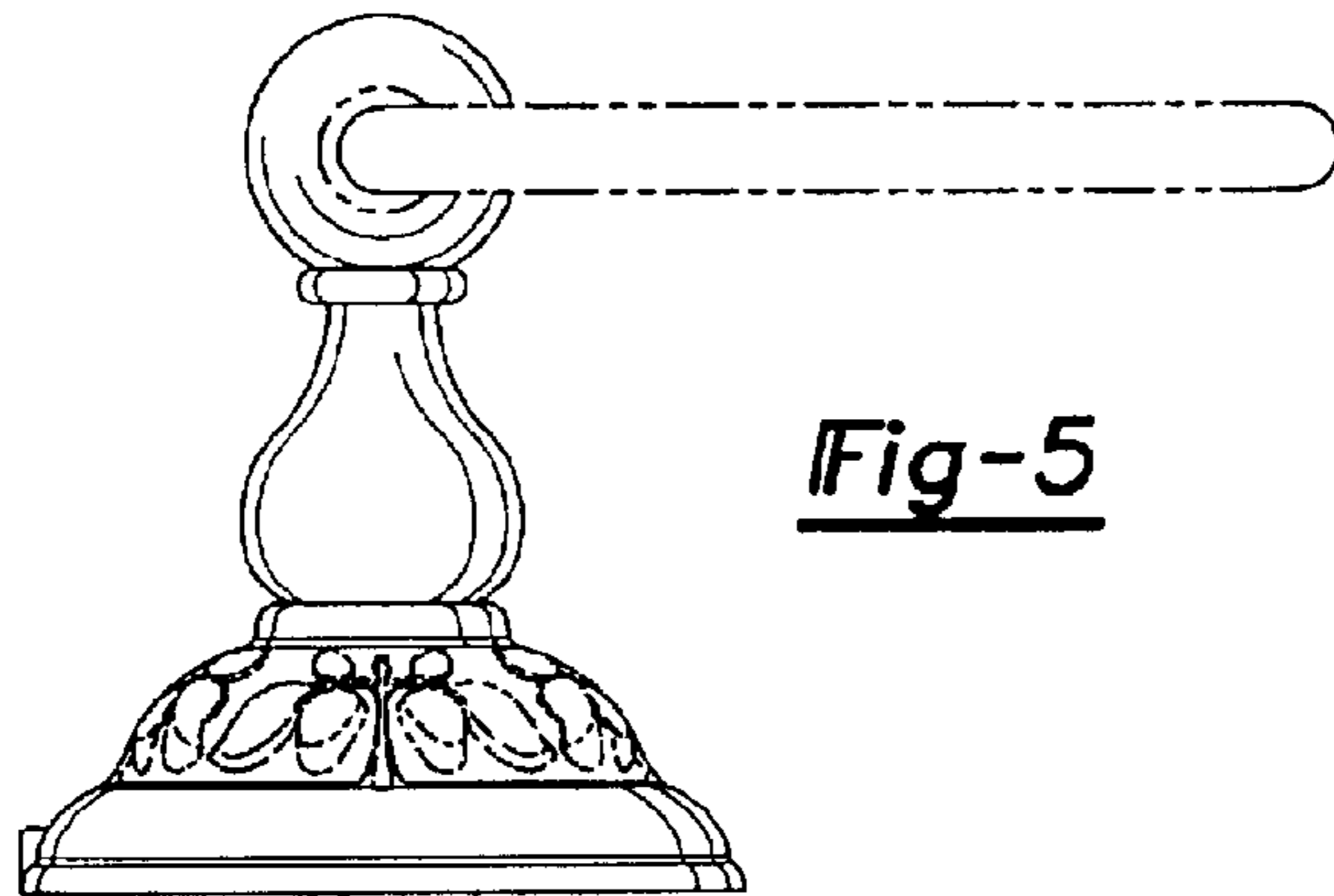


Fig-5

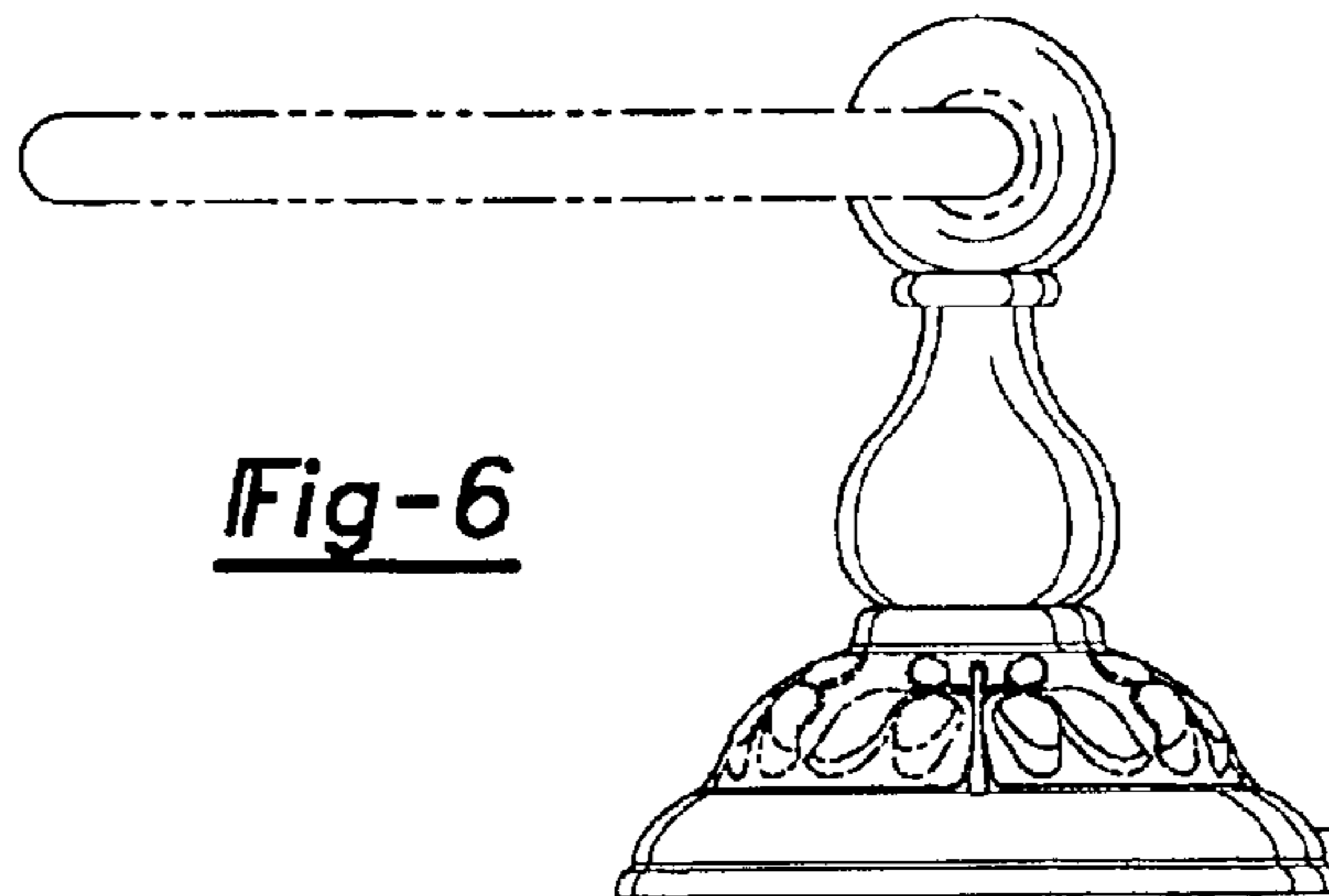


Fig-6