



US00D492865S1

(12) **United States Design Patent**
Graves et al.

(10) **Patent No.:** **US D492,865 S**
(45) **Date of Patent:** **** Jul. 13, 2004**

(54) **TISSUE HOLDER**

(75) Inventors: **Michael Graves**, Princeton, NJ (US);
Donald Strum, Princeton, NJ (US);
William Harrington, Princeton, NJ
(US); **Scott Doty**, Cranbury, NJ (US)

(73) Assignee: **Masco Corporation of Indiana**,
Indianapolis, IN (US)

(**) Term: **14 Years**

(21) Appl. No.: **29/185,344**

(22) Filed: **Jun. 26, 2003**

(51) **LOC (7) Cl.** **23-02**

(52) **U.S. Cl.** **D6/523**

(58) **Field of Search** D6/546-550, 518-519,
D6/522-524; D8/300, 303, 315-321; 108/28-29;
211/13.1, 16, 60.1, 86.01, 87.01, 88.01,
88.04, 100, 105.1-105.2, 123, 181.1, 182;
248/175, 176.1, 251, 302; 16/110.1, 412,
415; 242/570, 590, 595-598

(56) **References Cited**

U.S. PATENT DOCUMENTS

D385,446 S * 10/1997 Keserica D6/523

D424,344 S * 5/2000 Roth et al. D6/523
D435,749 S * 1/2001 Ming-Hsiao D6/523
D453,432 S * 2/2002 Hoernig D6/523
D463,931 S * 10/2002 Zhao D6/523

* cited by examiner

Primary Examiner—Brian N. Vinson

(74) *Attorney, Agent, or Firm*—Kwadjo Adusei-Poku;
Lloyd D. Doigan

(57) **CLAIM**

The ornamental design for a tissue holder, as shown and described.

DESCRIPTION

FIG. 1 is a front perspective view of a tissue holder showing our new design;
FIG. 2 is a rear perspective view thereof;
FIG. 3 is a front elevational view thereof;
FIG. 4 is a right side elevational view thereof;
FIG. 5 is a top plan view thereof;
FIG. 6 is a left side elevational view thereof;
FIG. 7 is a bottom plan view thereof; and,
FIG. 8 is a rear elevational view thereof.

1 Claim, 4 Drawing Sheets

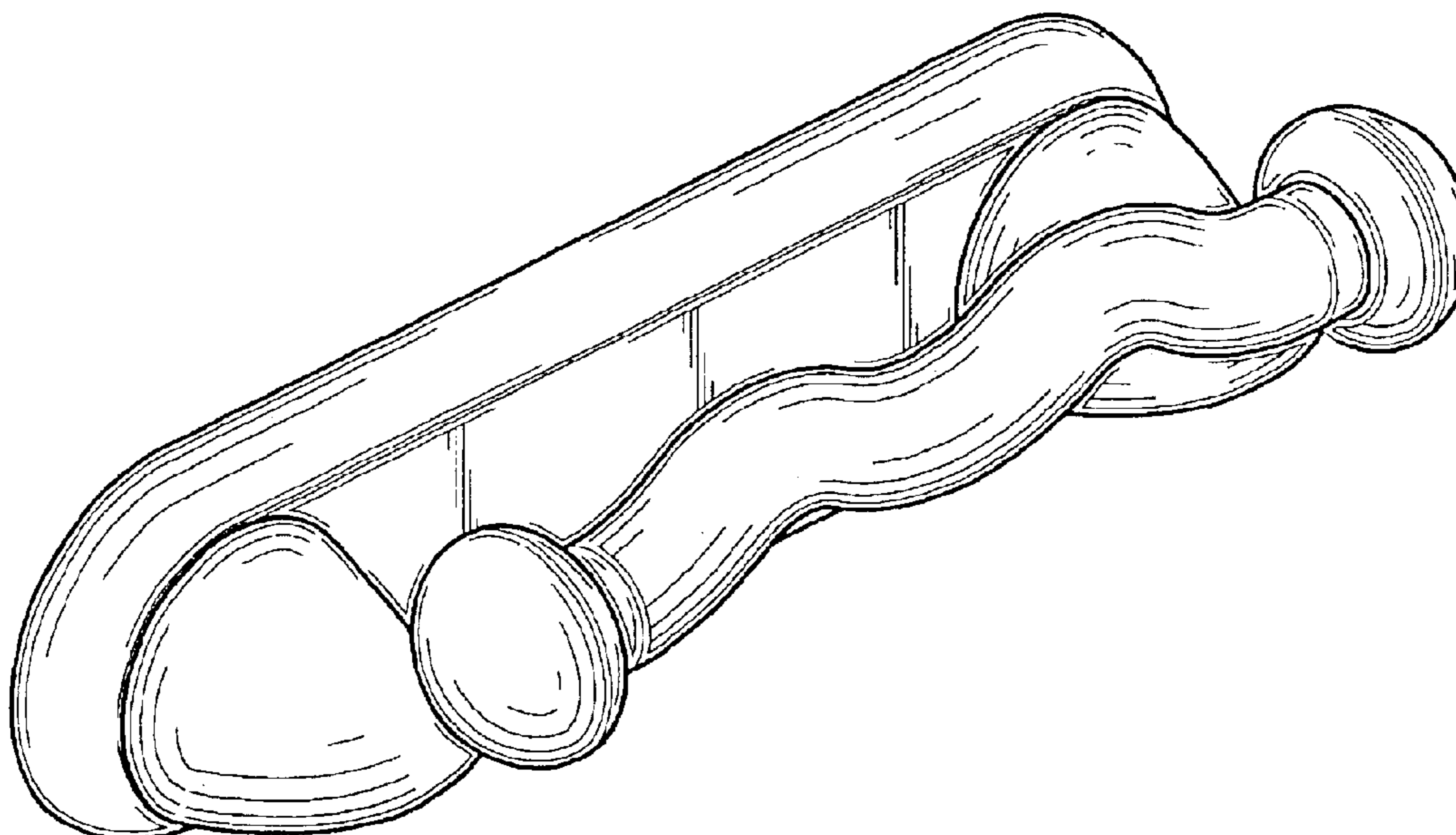


FIG - 1

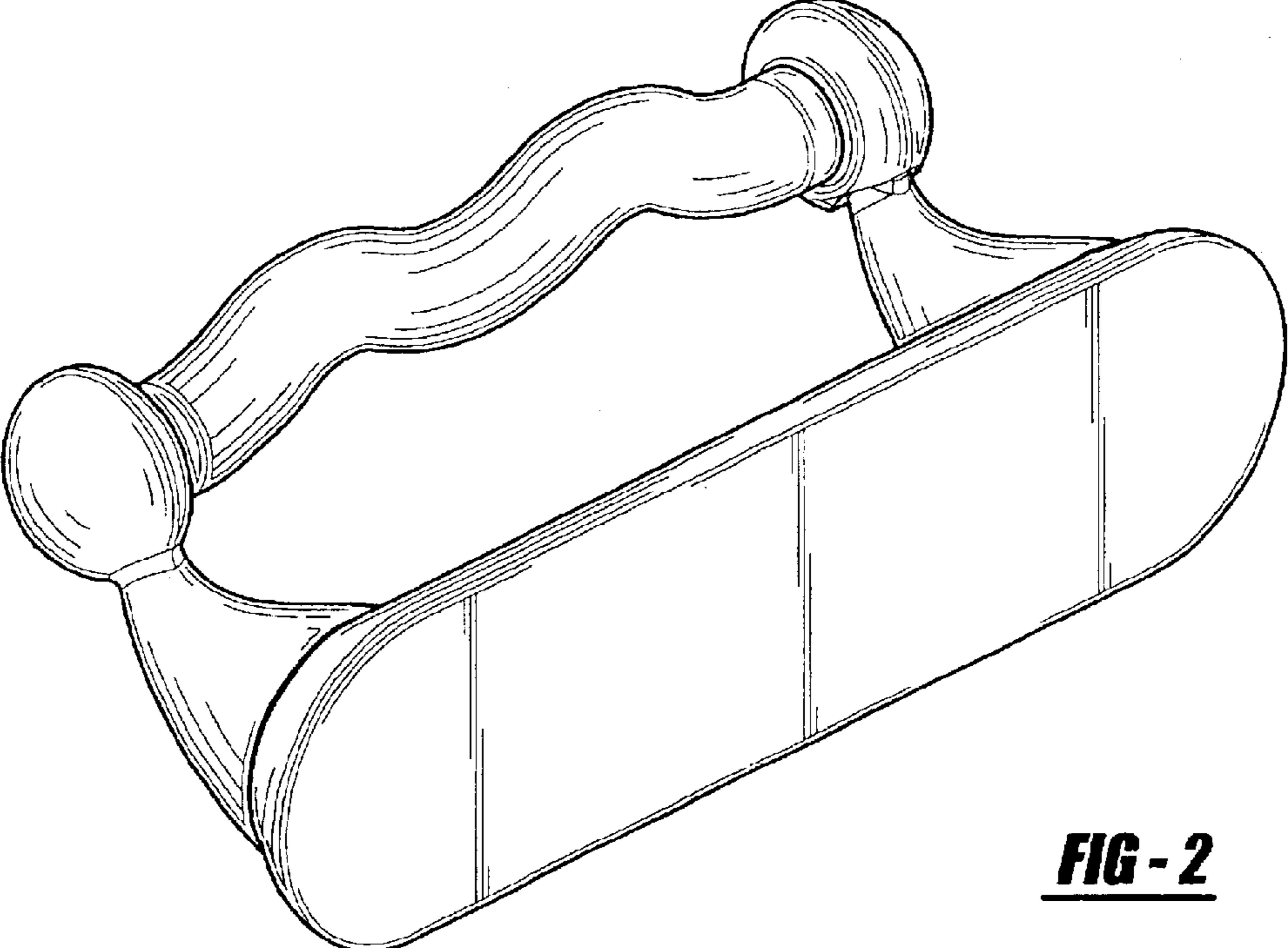
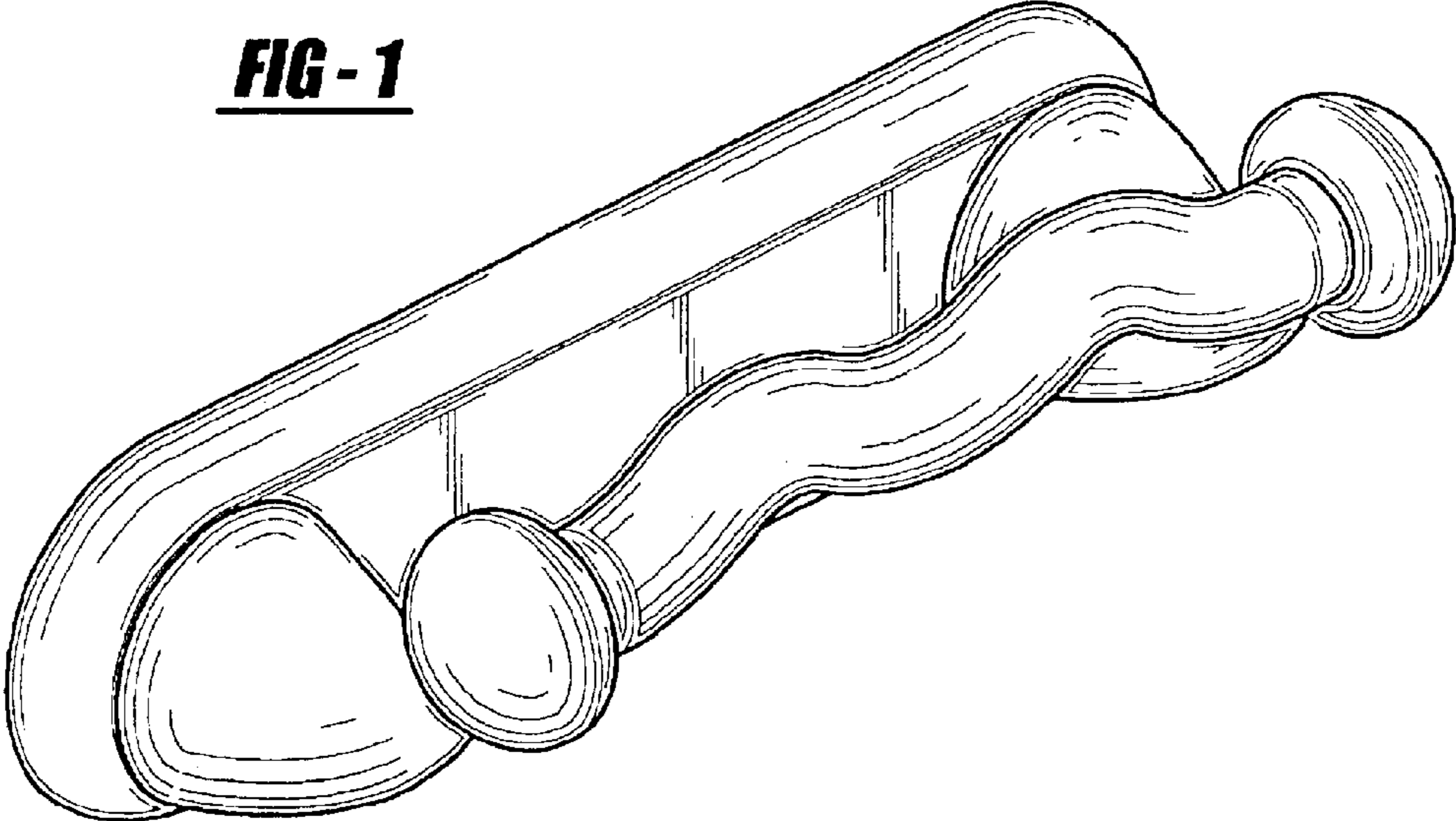


FIG - 2

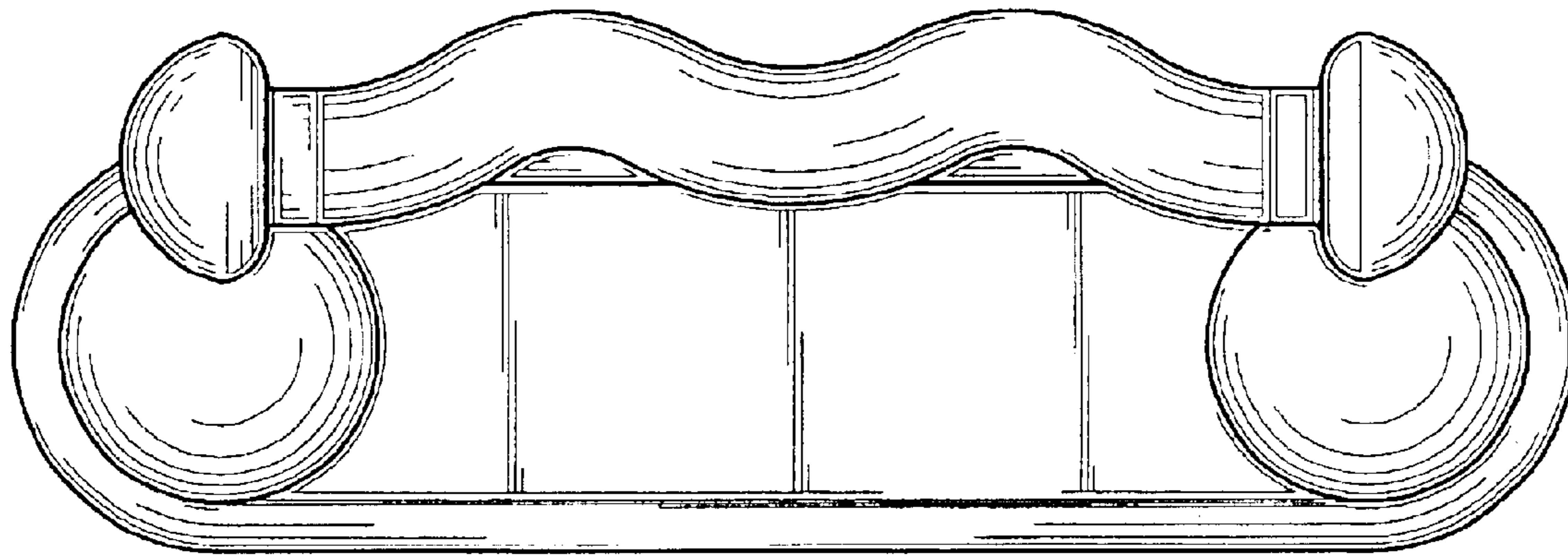


FIG - 3

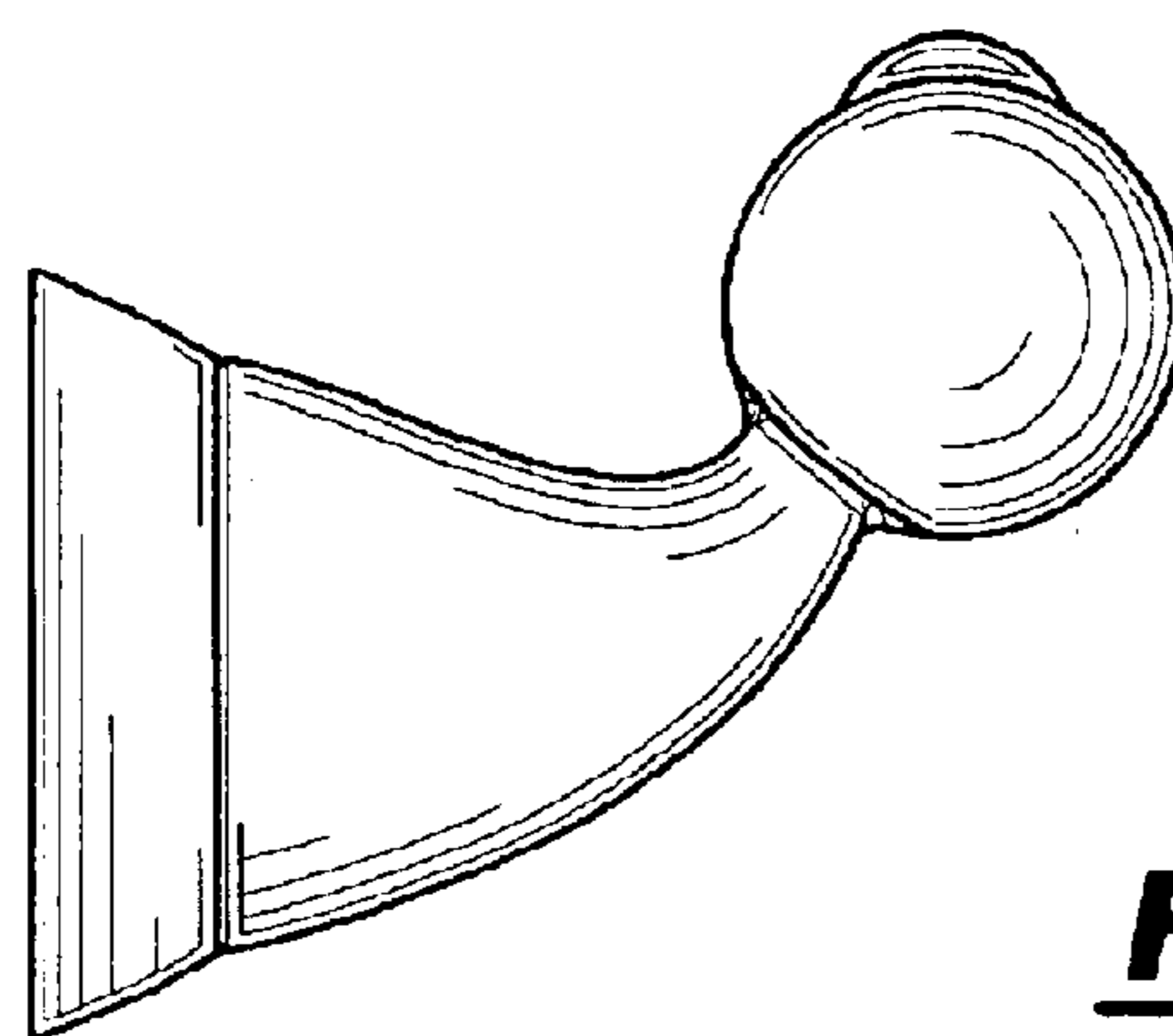


FIG - 4

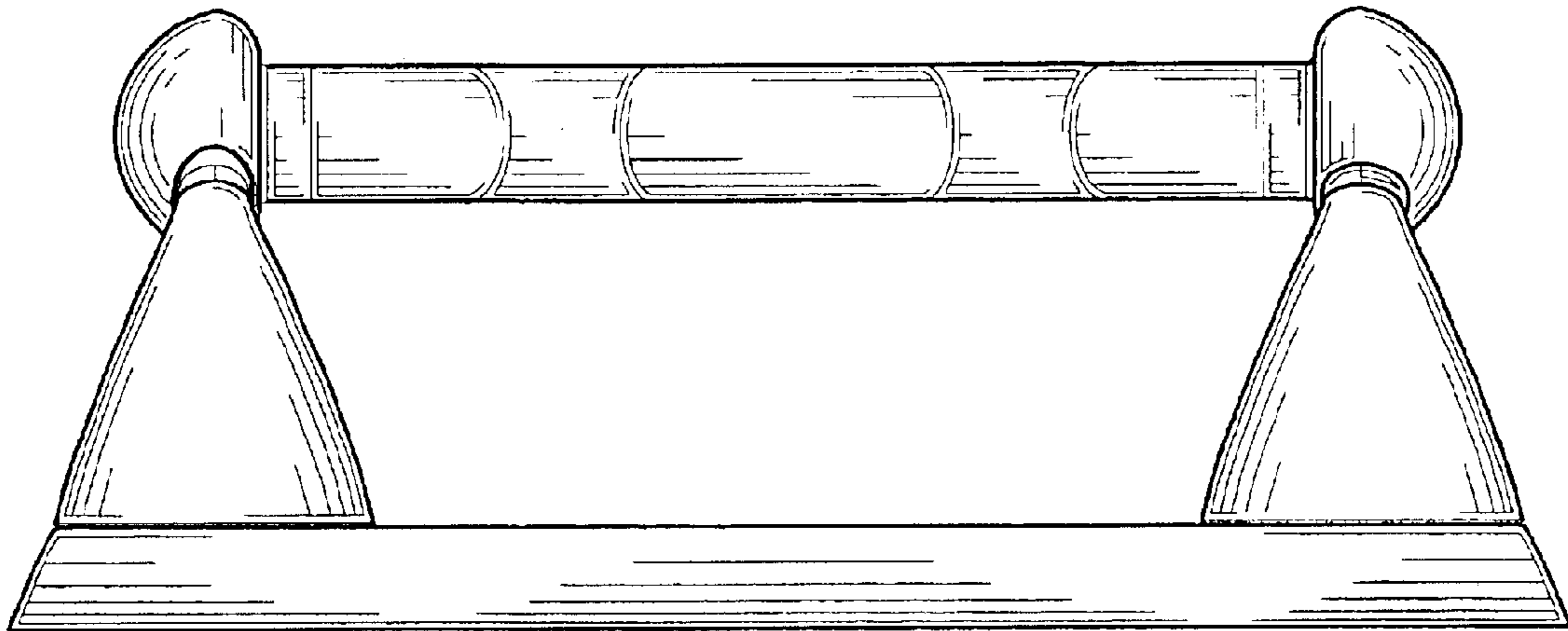


FIG - 5

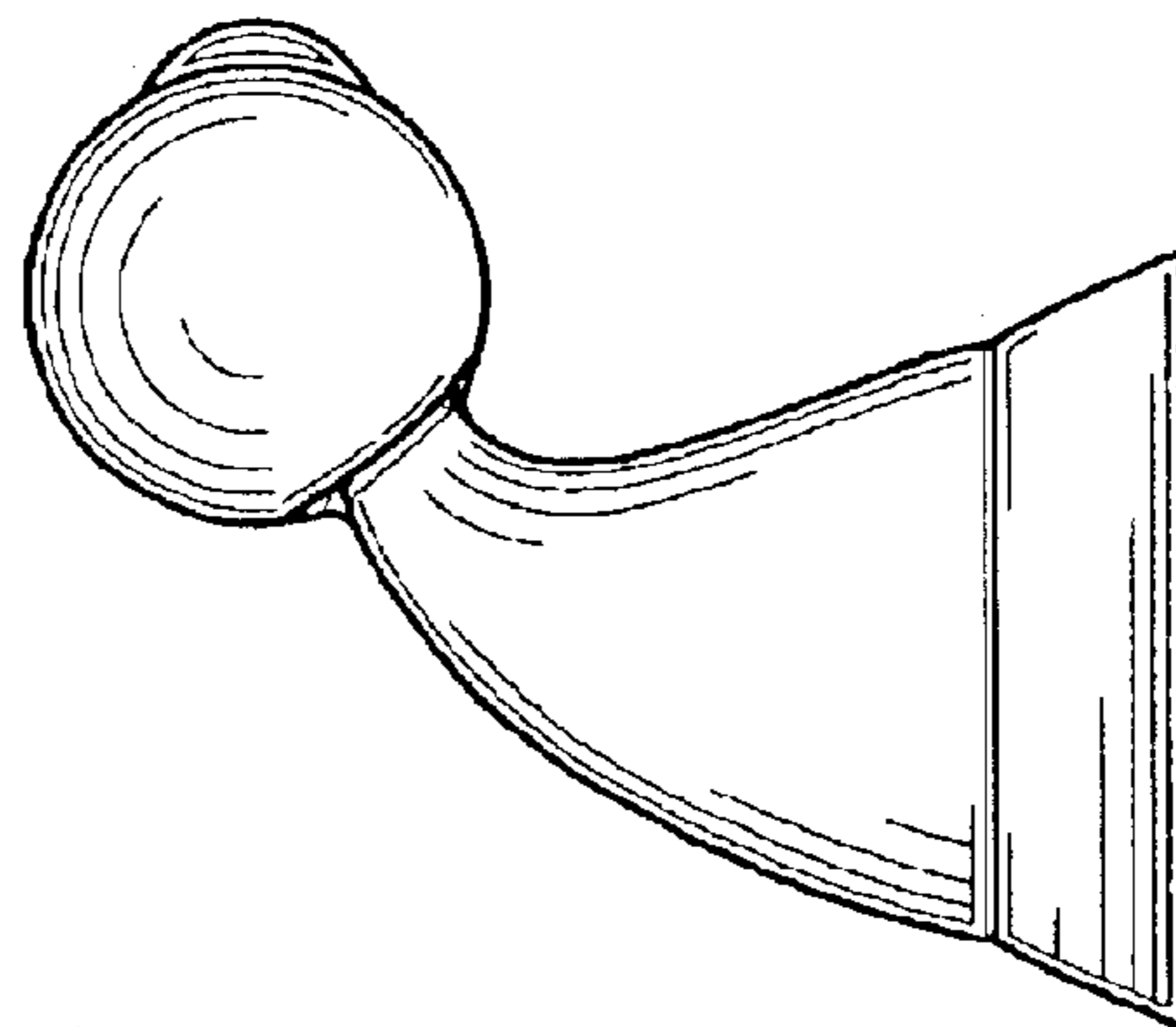


FIG - 6

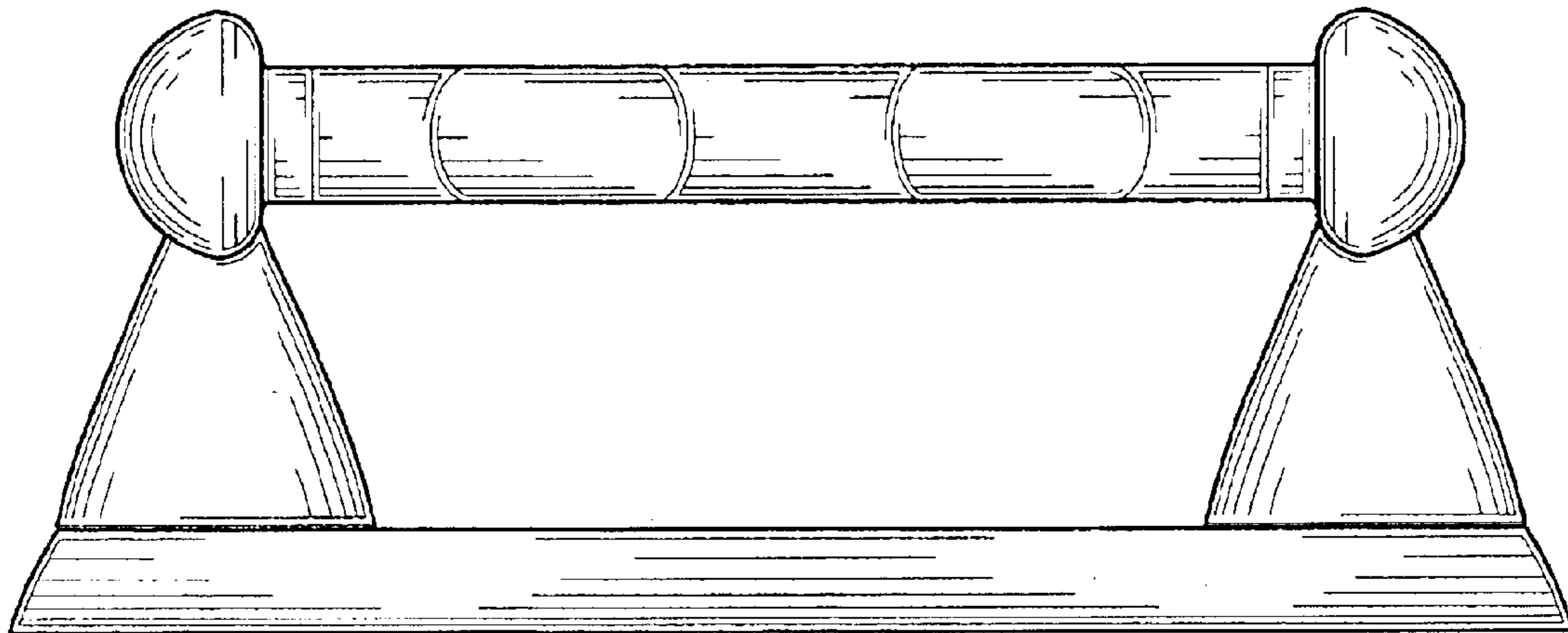


FIG - 7

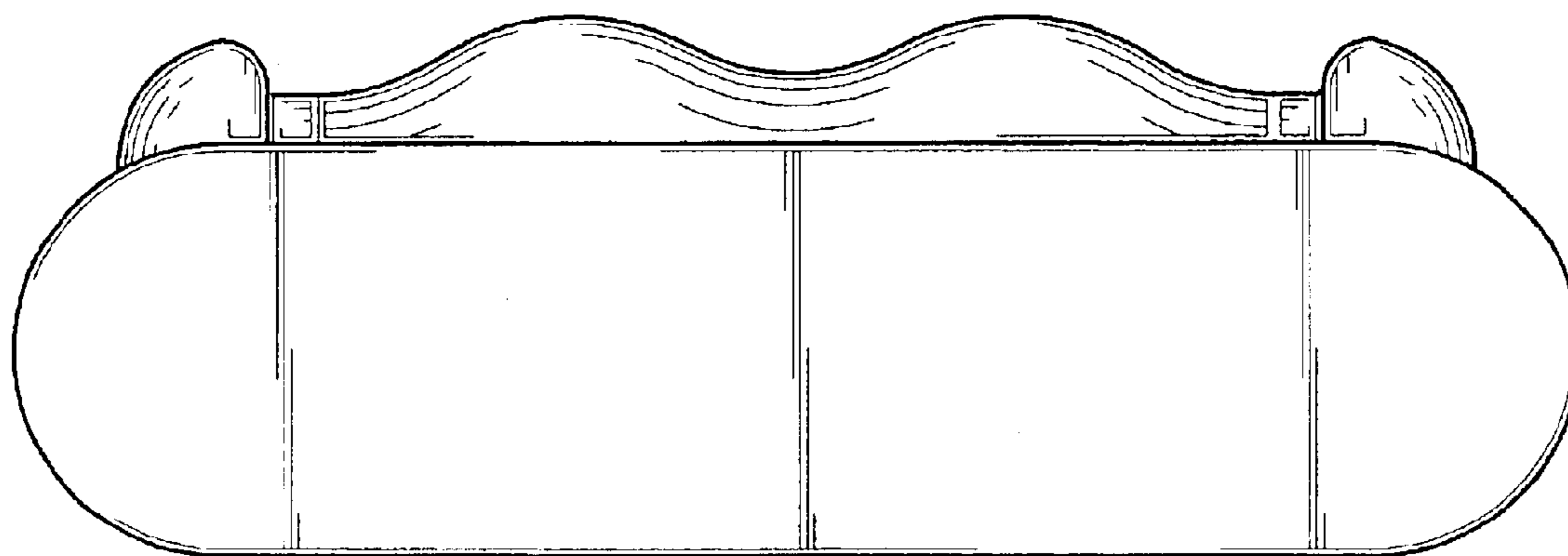


FIG - 8