

US00D492864S1

(12) **United States Design Patent**  
**Mizusawa**

(10) **Patent No.:** **US D492,864 S**  
(45) **Date of Patent:** **\*\* Jul. 13, 2004**

(54) **HOLDER FOR A TISSUE BOX**

(76) Inventor: **Hirohiko Mizusawa**, 12-7,  
Nishi-Nippori 3-chome, Arakawa-ku,  
Tokyo (JP)

(\*\*) Term: **14 Years**

(21) Appl. No.: **29/181,206**

(22) Filed: **May 7, 2003**

(30) **Foreign Application Priority Data**

Nov. 15, 2002 (JP) ..... 2002-031458

(51) **LOC (7) Cl.** ..... **06-99**

(52) **U.S. Cl.** ..... **D6/512**

(58) **Field of Search** ..... D6/512, 515, 518;  
211/13.1, 45, 71.01, 72, 89.01; 206/233,  
812; 248/150, 127, 174, 176, 309.1, 311.2

(56) **References Cited**

**U.S. PATENT DOCUMENTS**

3,288,416 A \* 11/1966 Franklin ..... 248/311.3  
D298,396 S \* 11/1988 Gallego ..... D6/518  
4,967,988 A \* 11/1990 Nguyen ..... 248/150  
6,669,157 B1 \* 12/2003 Willin et al. .... 248/311.2

\* cited by examiner

*Primary Examiner*—Brian N Vinson  
(74) *Attorney, Agent, or Firm*—Cowan Liebowitz &  
Latman; Mark Montague

(57) **CLAIM**

An ornamental design for a holder for a tissue box, as shown and described.

**DESCRIPTION**

FIG. 1 is a front view of the holder for a tissue box of the present invention;  
FIG. 2 is a side elevational view of the holder for a tissue box;  
FIG. 3 is a cross-sectional view of the holder for a tissue box shown along line A—A' in FIG. 1;  
FIG. 4 is a top plan view of the holder for a tissue box;  
FIG. 5 is a bottom plan view of the holder for a tissue box;  
FIG. 6 is a perspective view of the holder for a tissue box;  
FIG. 7 is a front view of the holder for a tissue box shown in use with a tissue box (tissue box not considered part of claimed design); and,  
FIG. 8 is a perspective view of the holder for a tissue box shown in use with a tissue box (tissue box not considered part of claimed design).

**1 Claim, 4 Drawing Sheets**

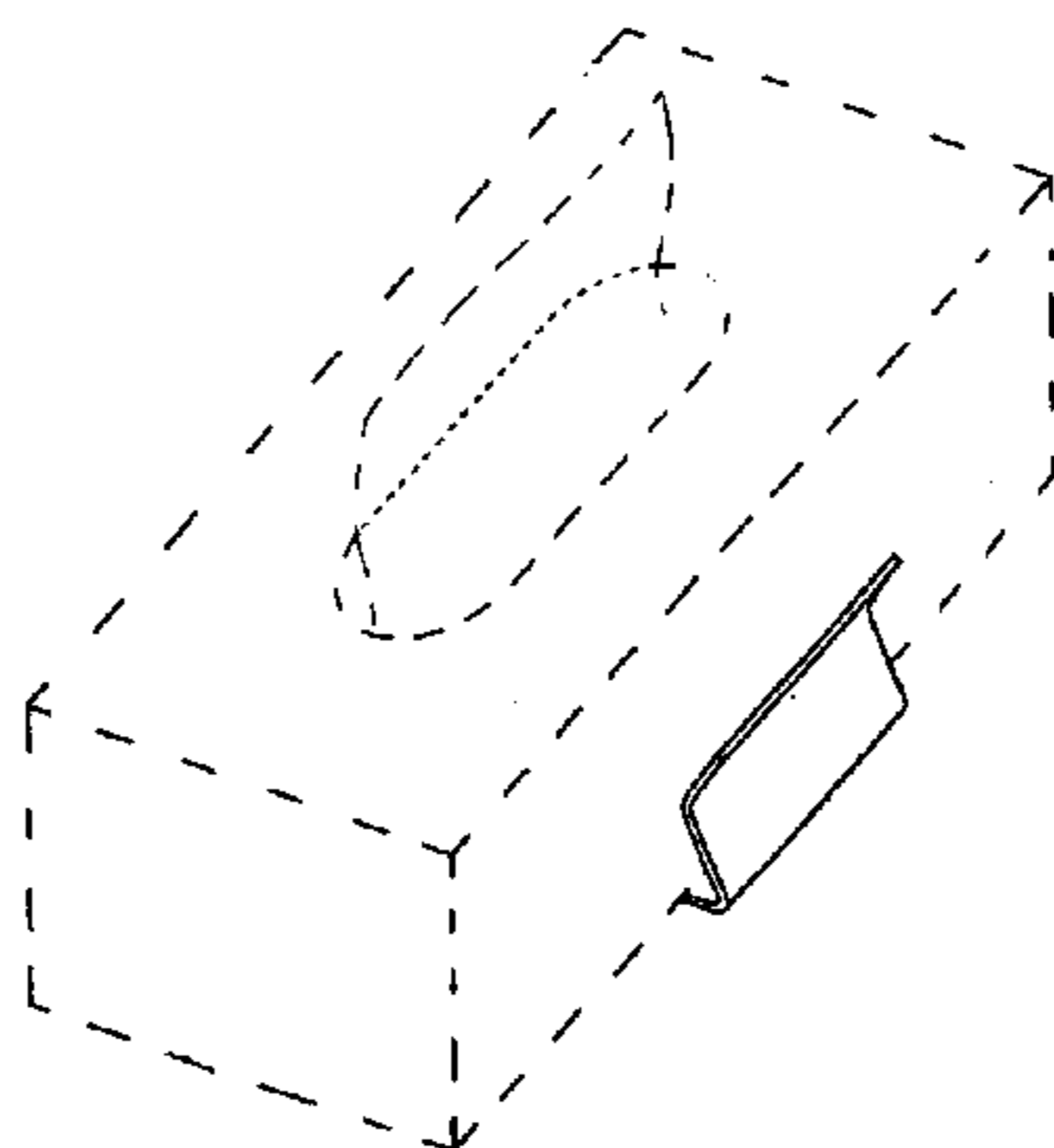
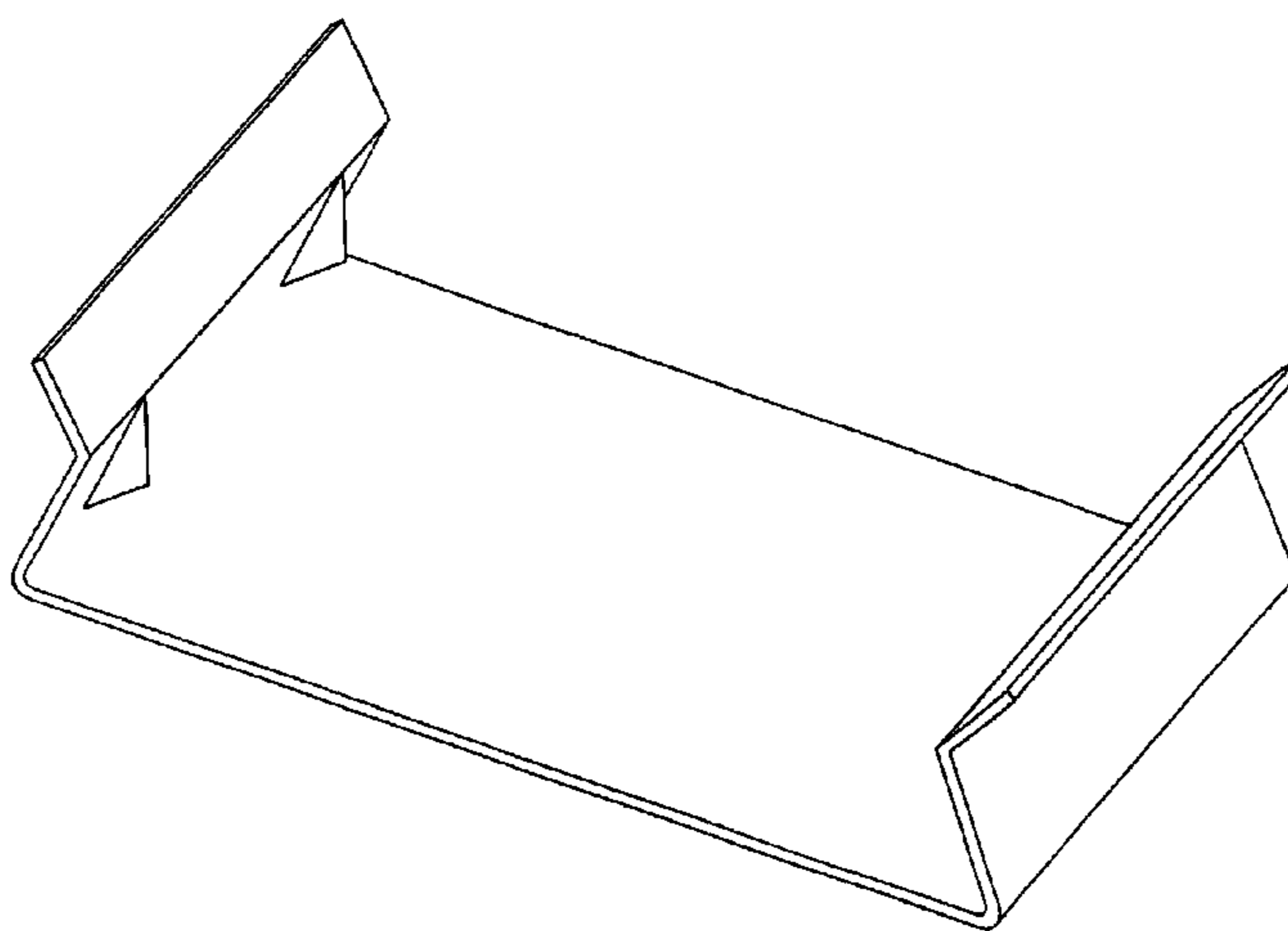


FIG. 1

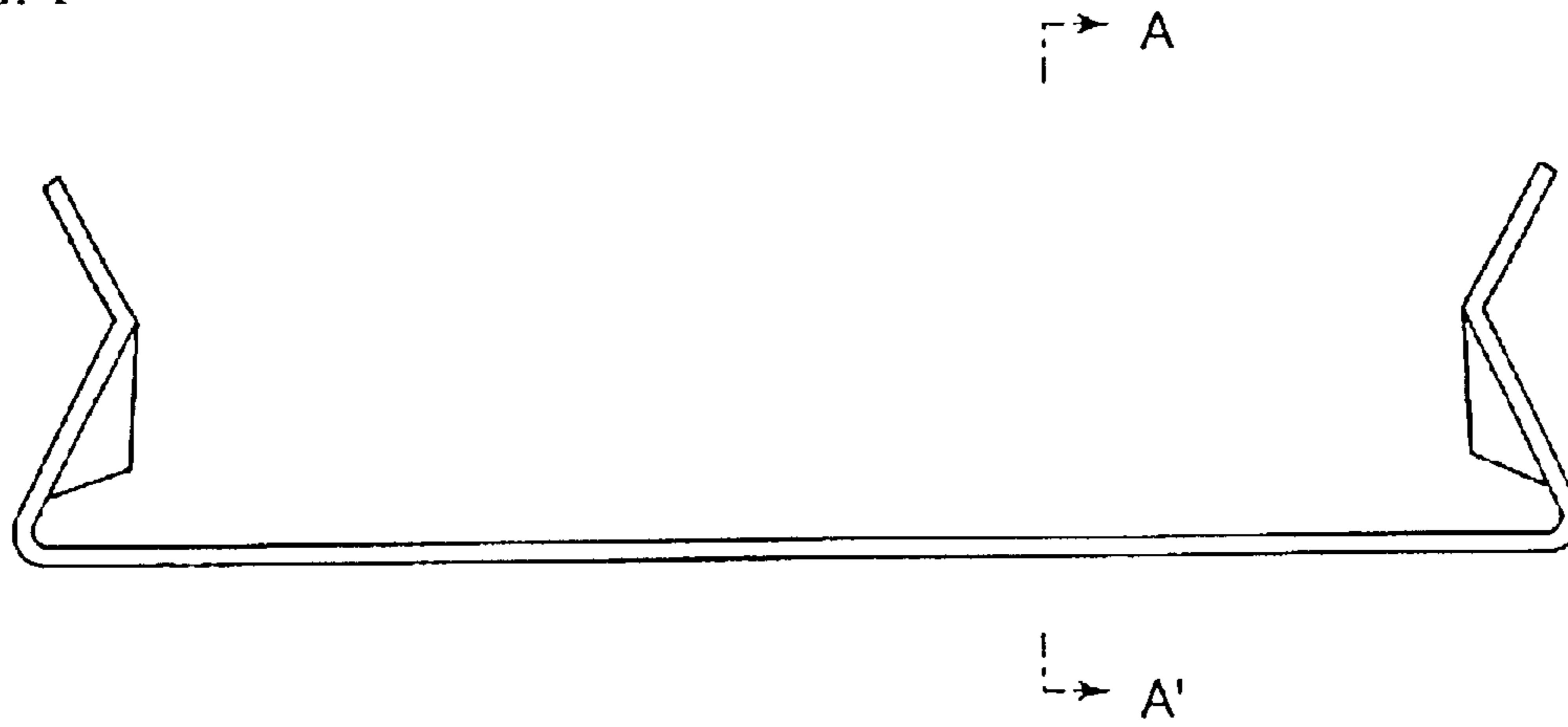


FIG. 2

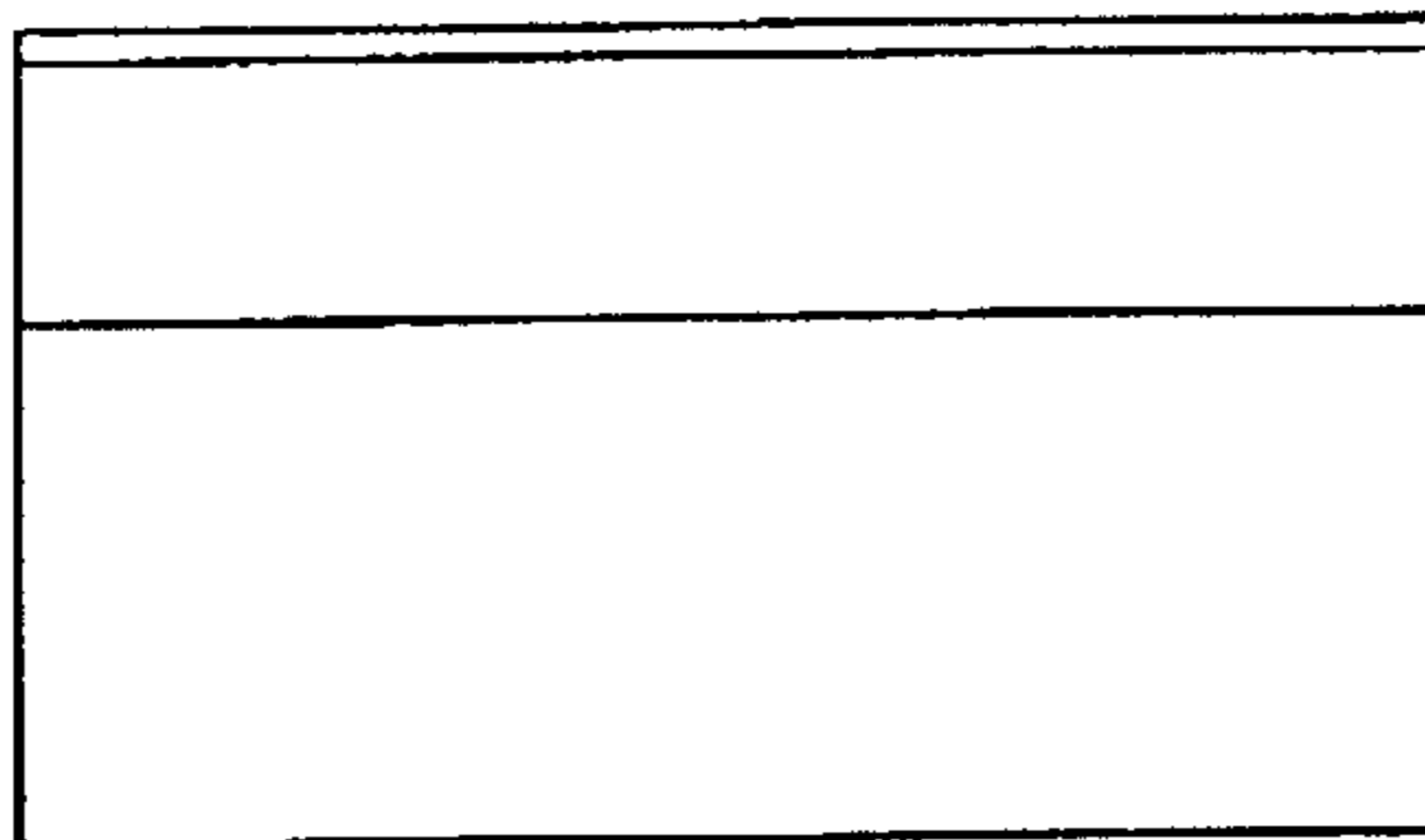


FIG. 3

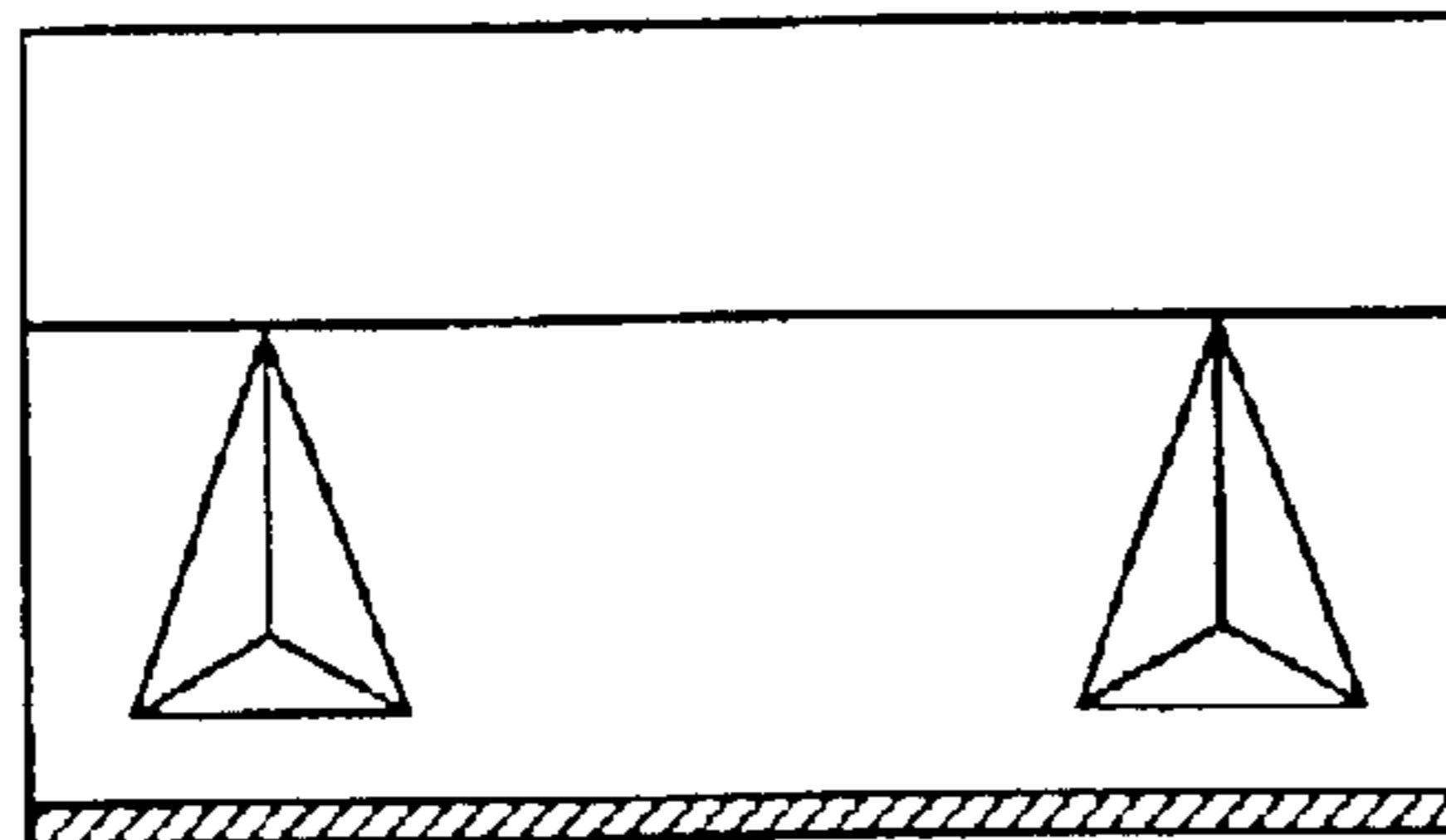


FIG. 4

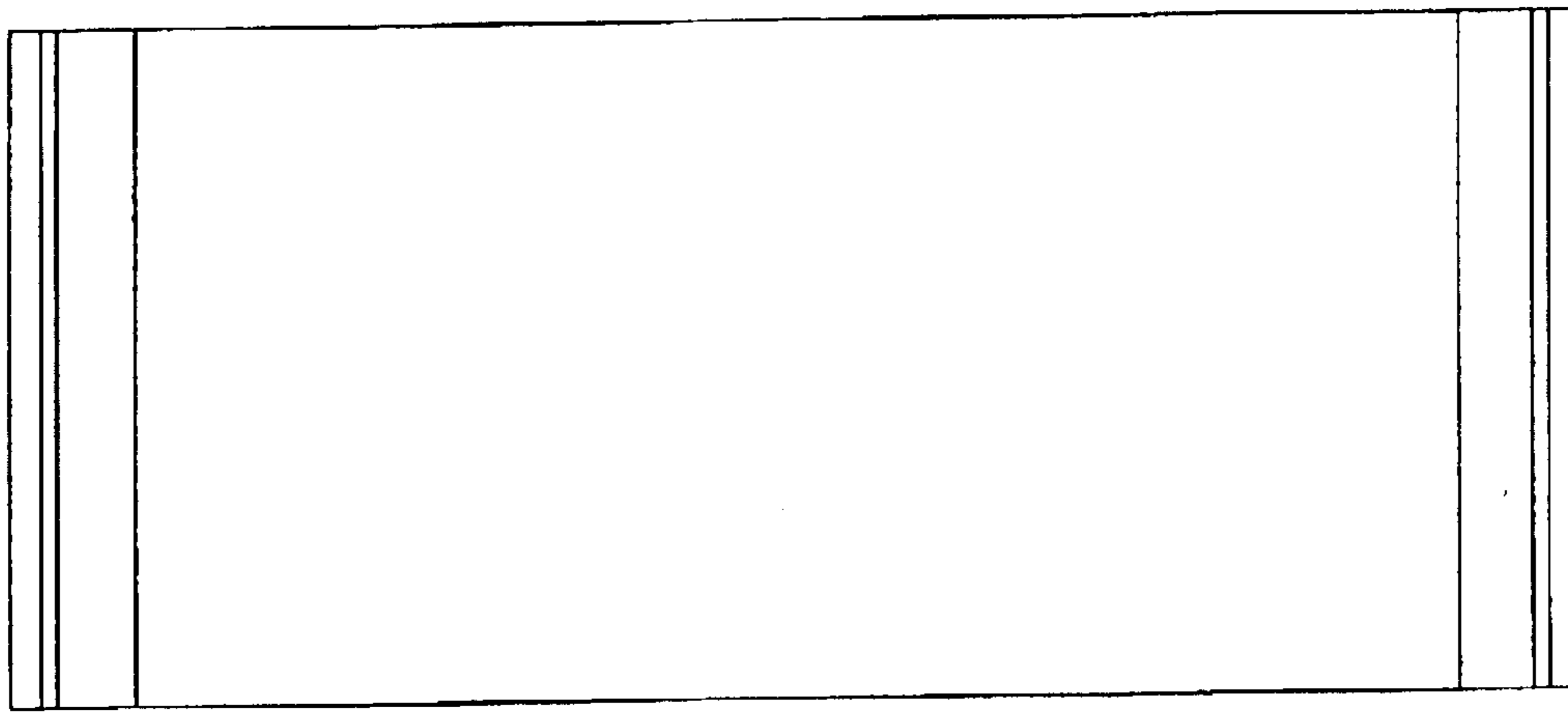


FIG. 5

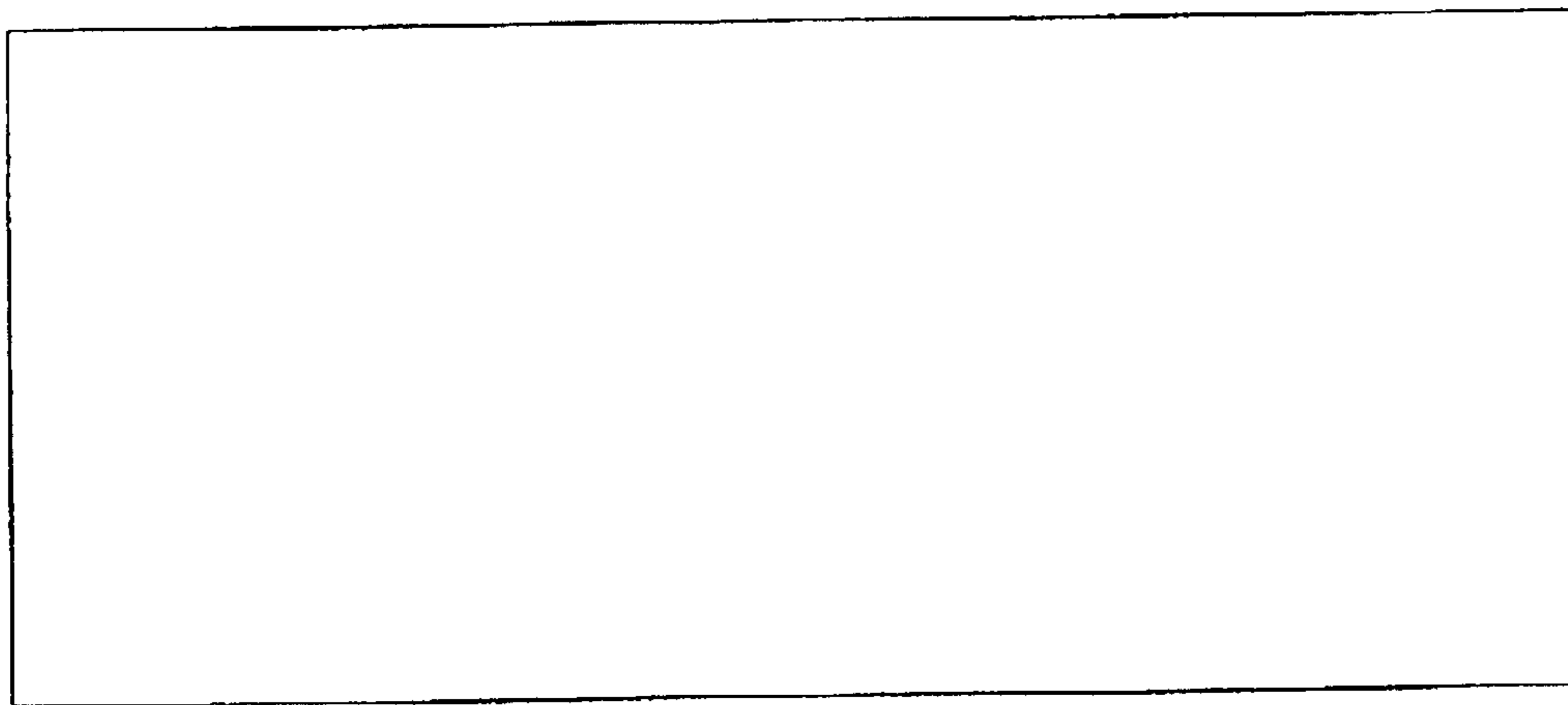


FIG. 6

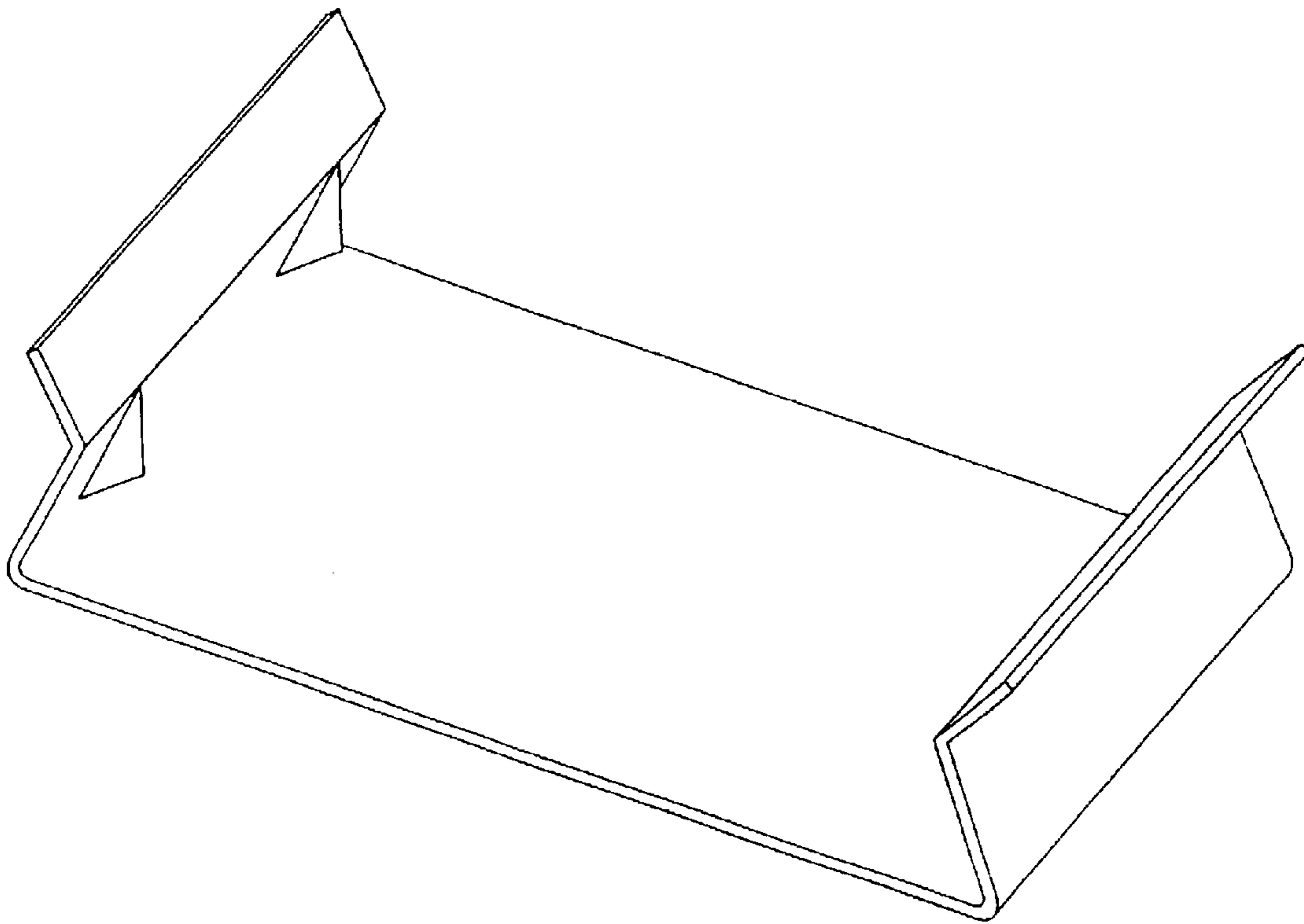


FIG. 7

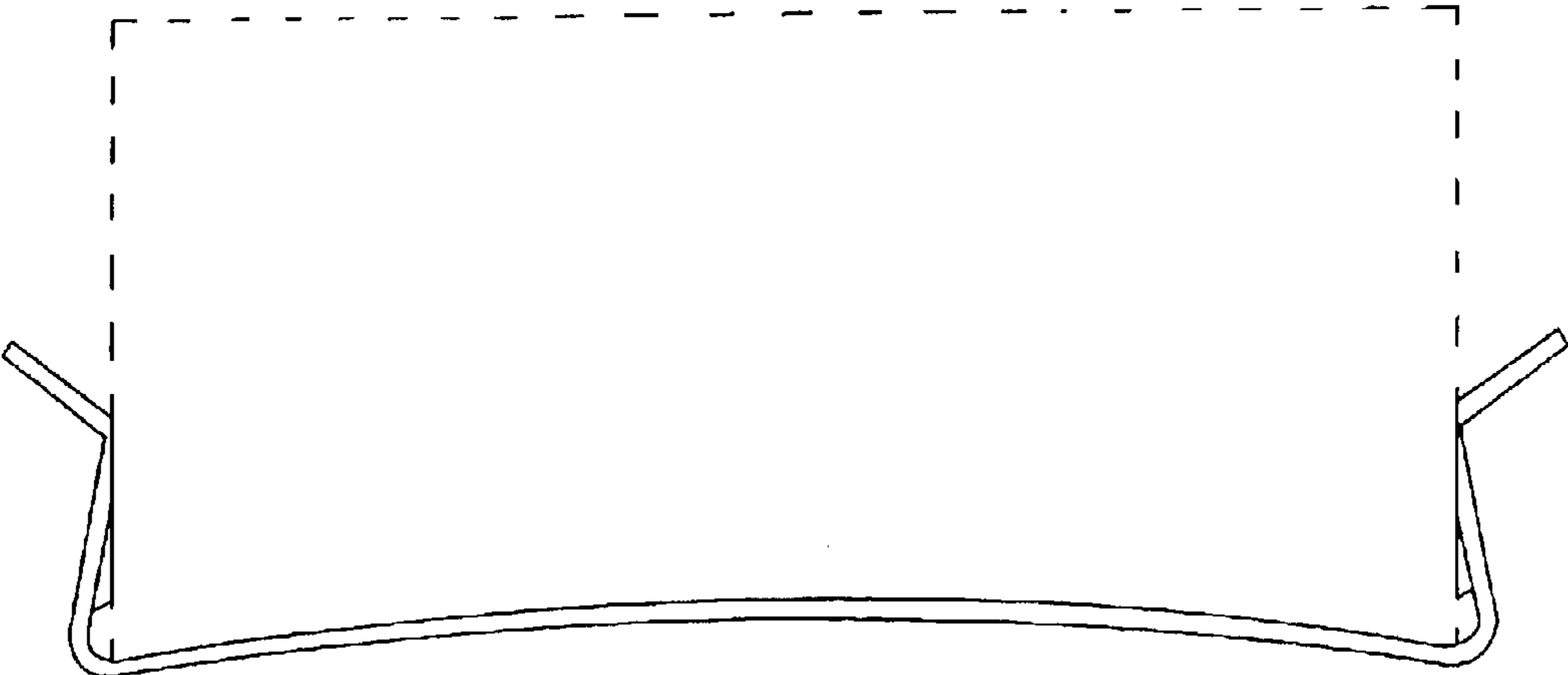


FIG. 8

