

US00D492862S1

(12) **United States Design Patent**  
**Gay, II**

(10) **Patent No.: US D492,862 S**

(45) **Date of Patent: \*\* Jul. 13, 2004**

(54) **MERCHANDISING SYSTEM**

(75) **Inventor: Frank William Gay, II, Park City, UT (US)**

(73) **Assignee: Nutraceutical Corporation, Park City, UT (US)**

(\*\*) **Term: 14 Years**

(21) **Appl. No.: 29/186,436**

(22) **Filed: Jul. 14, 2003**

(51) **LOC (7) Cl. .... 06-04**

(52) **U.S. Cl. .... D6/479**

(58) **Field of Search** ..... D6/464, 474-476, D6/477-479; 108/59, 60, 91, 92, 147.11, 149; 211/153, 186, 188, 194; 312/7.2, 9.1, 223.1

(56) **References Cited**

**U.S. PATENT DOCUMENTS**

D220,344 S \* 3/1971 Davey ..... D6/479

D243,891 S \* 4/1977 Snyder ..... D6/431  
D269,754 S \* 7/1983 Kates ..... D6/429  
D383,014 S \* 9/1997 Sagol ..... D6/479  
6,138,583 A \* 10/2000 Mahone et al. .... 108/108

\* cited by examiner

*Primary Examiner*—Cathron Brooks

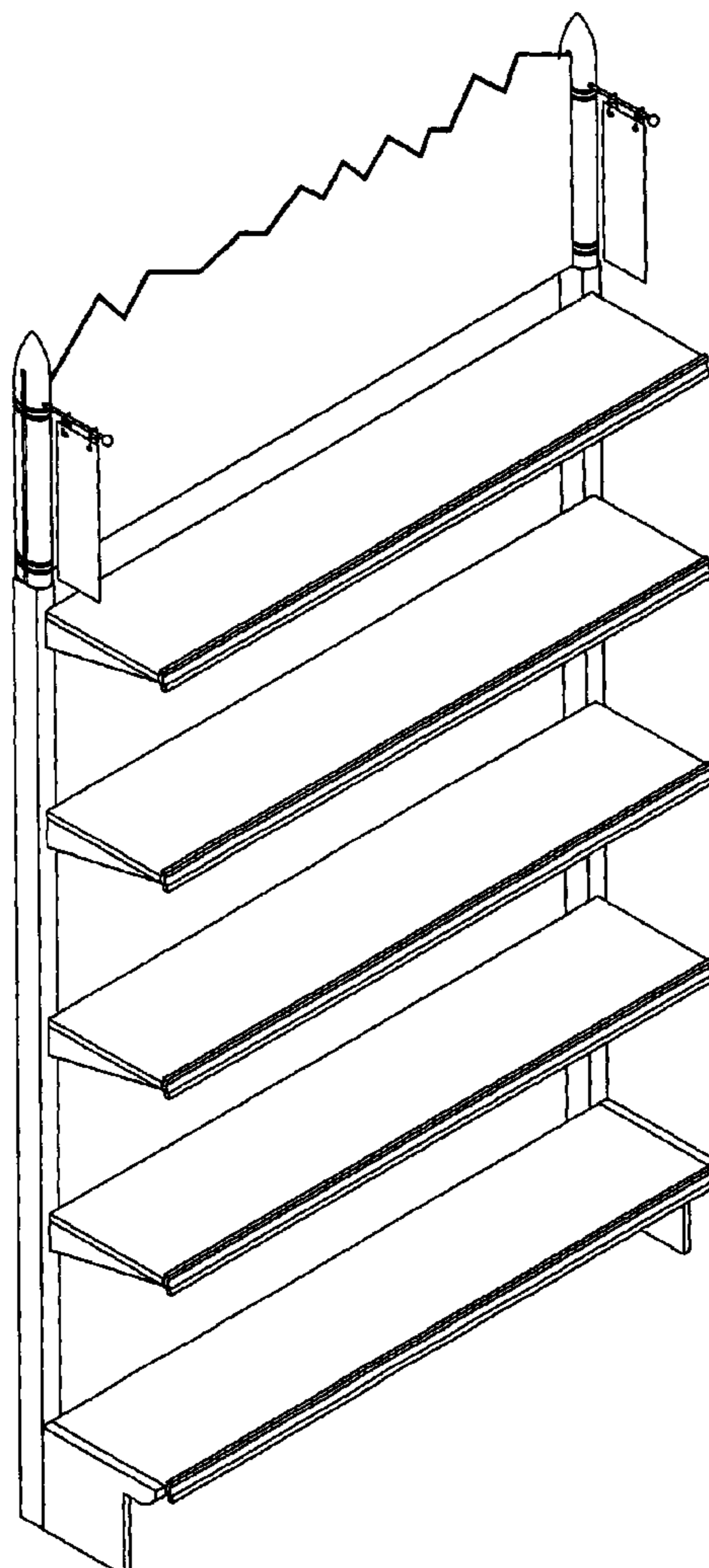
(57) **CLAIM**

The ornamental design for the merchandising system, as shown and described.

**DESCRIPTION**

FIG. 1 is a perspective view of the merchandising system. FIG. 2 is a front elevation view of the merchandising system. FIG. 3 is a left side elevation view thereof. FIG. 4 is a right side elevation view thereof; and, FIG. 5 is a top plan view thereof.

**1 Claim, 4 Drawing Sheets**



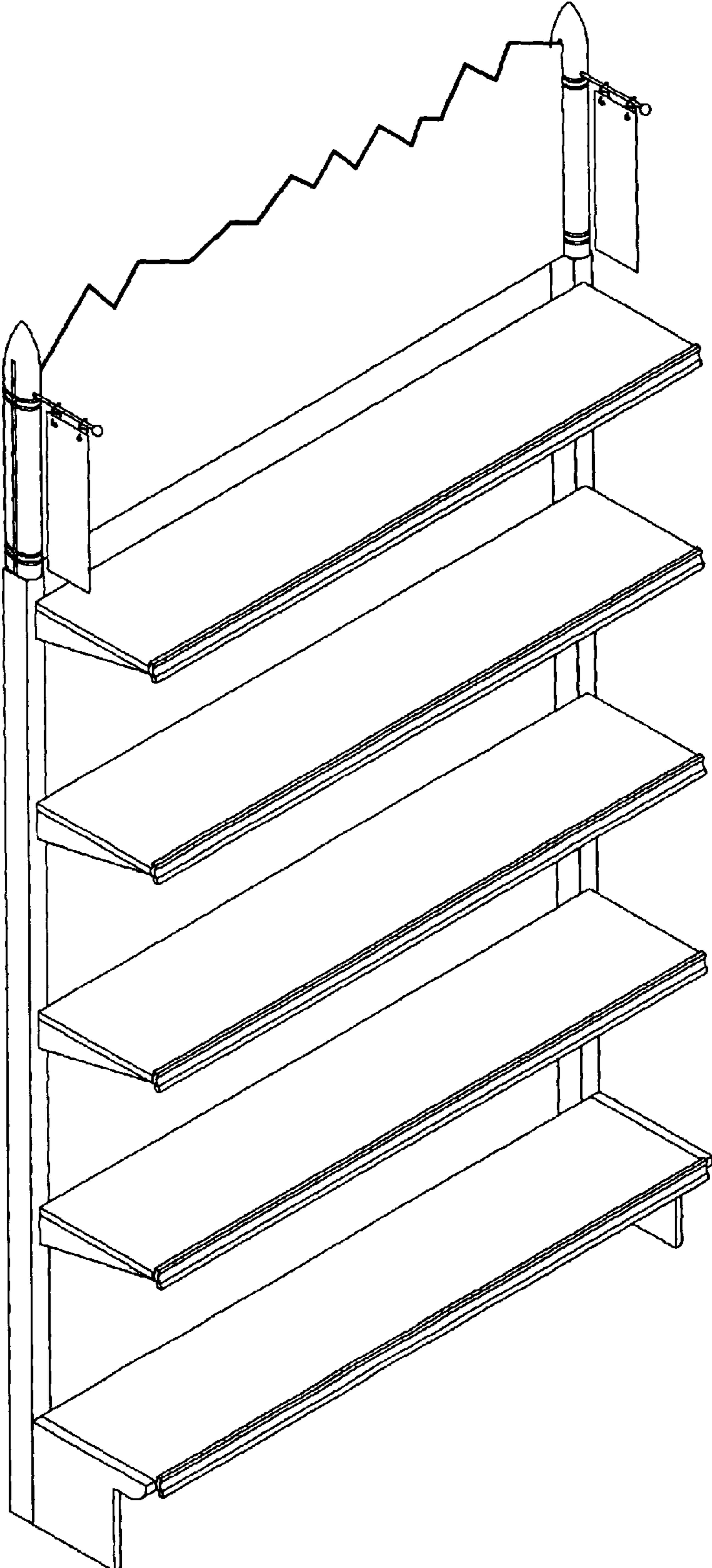


FIG. 1

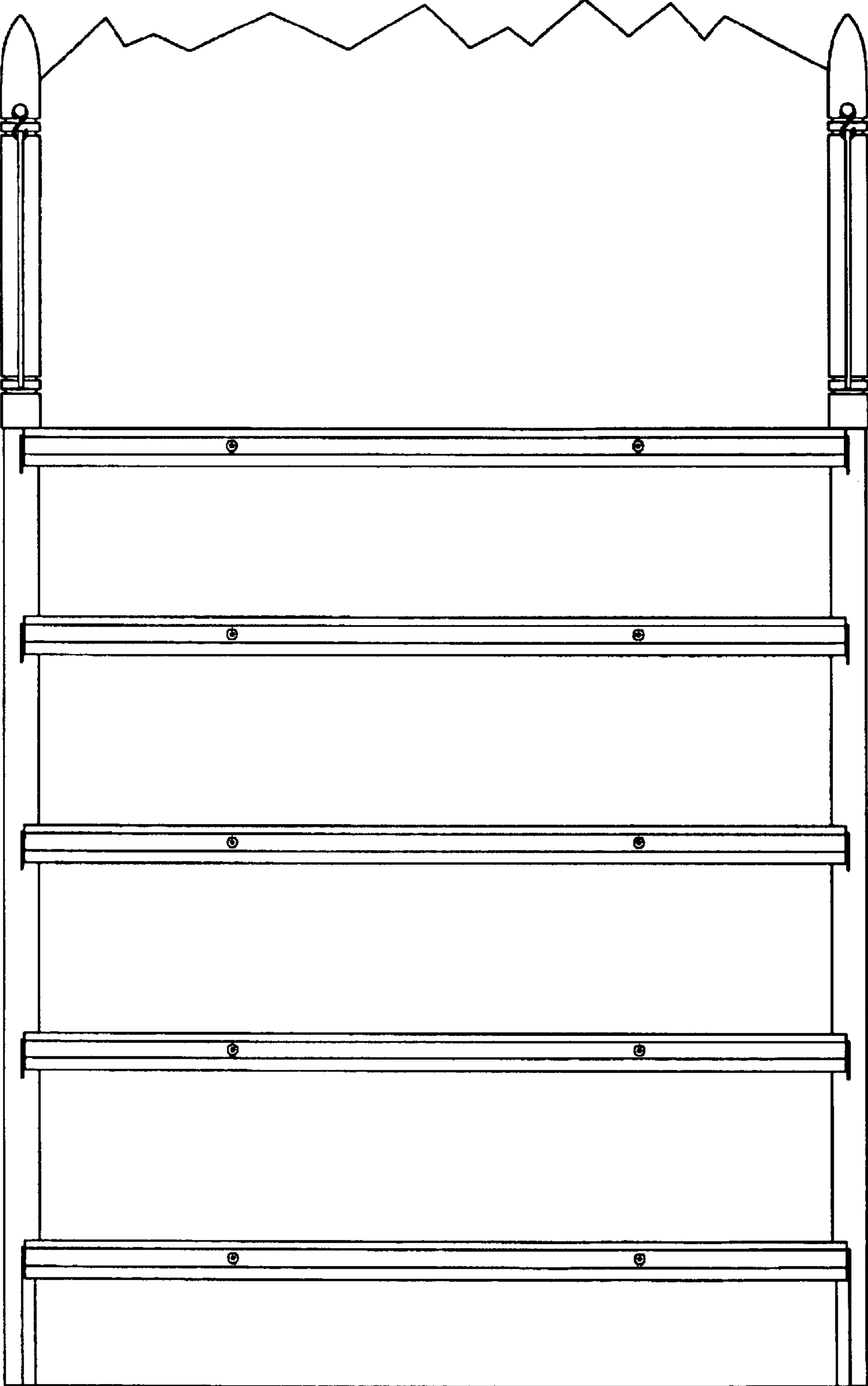


FIG. 2

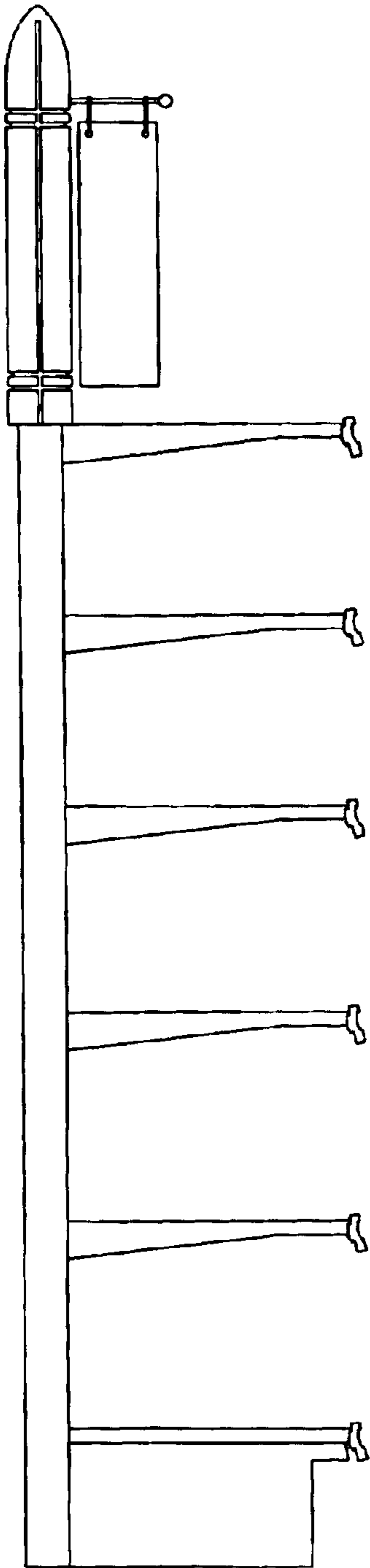


FIG. 3

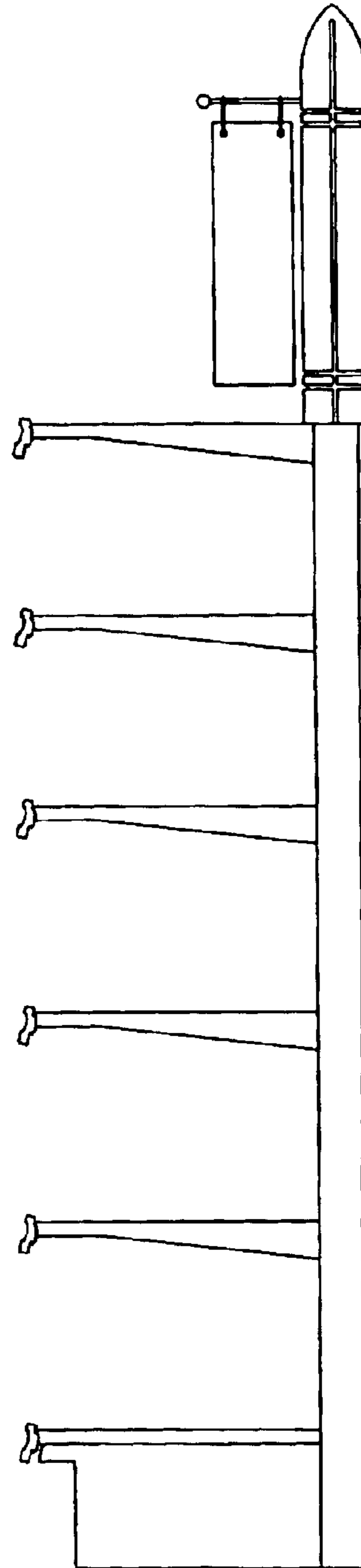


FIG. 4

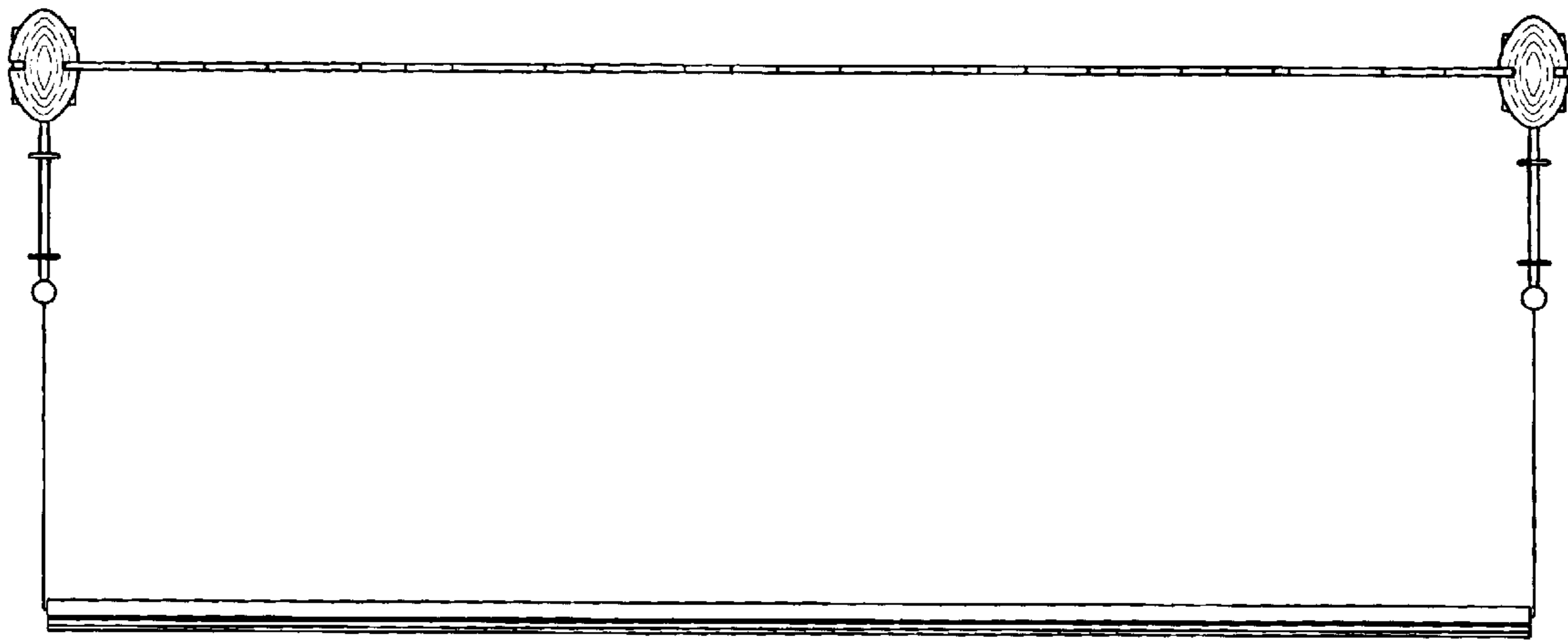


FIG. 5